

Driven Tool Holders
For
DIPLOMATIC TURRETS



10139 BERGIN RD.

HOWELL, MI 48843

PHONE : 877-91-TOOLS (810-632-4446)

FAX: 877-92-TOOLS (810-632-4467)

EMAIL: info@mdtooling.com

WEBSITE: www.mdtooling.com

Live Tooling



M. T. Marchetti, a major live tool manufacturer in northern Italy, is a leader in live tool technology. The formula is simple. Use only the best angular contact high-speed bearings available. Add to this an exacting tolerances for all ground shafts, gears and bearing pocket features. Next, develop a sealed system that **will not** allow any contamination from chips or coolant.

Top this all off with a superior design and you end up with a live tool that is more rigid, faster and will last longer. **We back this up with a 2-Year factory warranty.**

Our Live Tool Warranty

Our tooling will give years of service in the most demanding applications. The superior design and rugged construction has proven this over the last 12 years. The reliability of our tools allows us to provide a 2-year factory warranty, for non-wear components.

MD Tooling will repair any defective tool holders for a period of 2 years from the date of purchase.

Product Range

We have the largest range of live tooling available for most major machine tool manufactures.

Our available products include an extensive line of standard live tooling as well as specialty tool holders such as 0-180 adjustable angle tool holders, gear hobbors, and even worm gear generators. Our product range includes geared up holders to 60,000 RPM and are engineered for 1,000 PSI coolant through.

We are an industry leader in providing complete tooling solutions with hundreds of static tool options as well.

Technical Support

Here at MD Tooling we have a full technical support department with over 35 years of CNC experience.

Our highly qualified staff can help with part processing, tooling up a job from a blue print and even assist with part programming. Applications Engineers are always available by phone to answer any questions you may have about our tooling or any other CNC related issue.

Stock and Replenishment

MD Tooling maintains an extensive inventory of tooling in our warehouse in Michigan. Our current "fill" rate on orders is 93% from our stock in Michigan for same day shipping.

Should you require a non-stock item, our manufacturer, M.T. Marchetti also maintains a large inventory in Italy. Tooling can be obtained in as little as 3-5 business days.

Shipping

MD Tooling realizes that when you need tooling, often you can't wait until the next day. We process orders and ship from available stock right up until 4PM EST to make certain we get your tooling solutions to you as quickly as possible.

We regularly ship throughout the day via UPS, FedEx or any other carrier that a customer requests.



10139 Bergin Road
Howell, MI 48843
Phone: (810) 632-4446
Fax: (810) 632-4467
Email: info@mdtooling.com
Web: www.mdtooling.com

- Fast, Friendly, Reliable Service!
- Quality tooling at highly competitive pricing.
- 2-Year Warranty on all live tools.
- Extensive inventory. We currently ship over 93% of all orders same day.
- In-house repair services available.
- If a warranty tool needs to be returned for inspection, service or repair, loaner tools are available to keep your machine tool production up and running.
- More specialty tool holders than any other manufacturer.
- Custom tool holders available.
- All available tooling may not be shown in this catalog. If you can't find the holder you're looking for, please contact our office for assistance.



Table of Contents

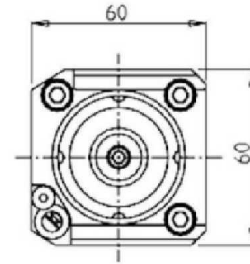
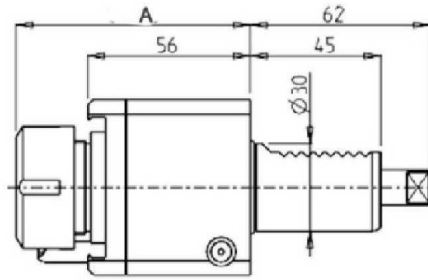
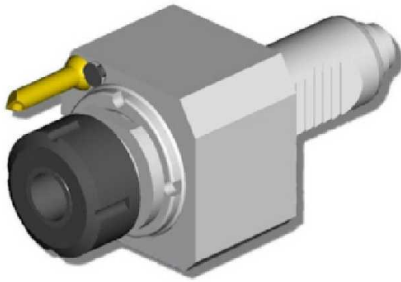
Categorized Listing

VDI30	1
DRIVEN	1
AXIAL DRIVEN TOOL VDI30	1
AXIAL DRIVEN TOOL REDIRECTED BY 36mm VDI30	1
AXIAL GEARED-DOWN 2:1 DRIVEN TOOL REDIRECTED BY 36mm VDI30	2
AXIAL GEARED-UP 1:2 DRIVEN TOOL REDIRECTED BY 36mm VDI30	2
RADIAL DRIVEN TOOL VDI30 H=85mm	3
RADIAL DRIVEN TOOL VDI30 H=100mm	4
RADIAL REAR-SET DRIVEN TOOL VDI30 H=75mm	5
QUICK CHANGE RADIAL MTSK REAR-SET DRIVEN TOOL VDI30 H=75mm	6
RADIAL REAR-SET DRIVEN TOOL VDI30 H=85mm	7
QUICK CHANGE RADIAL MTSK REAR-SET DRIVEN TOOL VDI30 H=85mm	8
RADIAL OPPOSITE FACE TWIN DRIVEN TOOL VDI30 H=75mm	8
0-180° ADJUSTABLE ANGLE DRIVEN TOOL VDI30	9
VDI40	10
DRIVEN	10
RADIAL DRIVEN TOOL VDI40	10
QUICK CHANGE RADIAL MTSK DRIVEN TOOL VDI40	11
RADIAL REAR-SET DRIVEN TOOL VDI40 H=85mm	11
RADIAL REAR-SET DRIVEN TOOL VDI40 H=100mm	12
QUICK CHANGE RADIAL MTSK REAR-SET DRIVEN TOOL VDI40 H=100mm	12
RADIAL GEARED-UP 1:2 DRIVEN TOOL VDI40	13
RADIAL GEARED-UP 1:3 DRIVEN TOOL VDI40	13
RADIAL OPPOSITE FACE TWIN DRIVEN TOOL VDI40	14
AXIAL DRIVEN TOOL VDI40	15
QUICK CHANGE AXIAL MTSK DRIVEN TOOL VDI40	15
AXIAL DRIVEN TOOL REDIRECTED BY 42mm VDI40	16
AXIAL GEARED-DOWN 2:1 DRIVEN TOOL REDIRECTED BY 42mm VDI40	16
AXIAL GEARED-UP 1:2 DRIVEN TOOL REDIRECTED BY 42mm VDI40	17
0-180° ADJUSTABLE ANGLE DRIVEN TOOL VDI40	17
0-180° ADJUSTABLE ANGLE DRIVEN TOOL WITH DIGITAL DISPLAY VDI40	18
BROACHING/SLOTTING DRIVEN TOOL 50mm STROKE VDI40	19
BROACHING/SLOTTING DRIVEN TOOL 25mm STROKE VDI40	19
VDI50	20
DRIVEN	20
RADIAL DRIVEN TOOL VDI50	20
RADIAL DRIVEN TOOL VDI50	20
QUICK CHANGE RADIAL MTSK DRIVEN TOOL VDI50	21
RADIAL 4 HEAD DRIVEN TOOL VDI50	21
AXIAL DRIVEN TOOL VDI50	22
QUICK CHANGE AXIAL MTSK DRIVEN TOOL VDI50	22
AXIAL DRIVEN TOOL REDIRECTED BY 60mm VDI50	23
AXIAL GEARED-DOWN 2:1 DRIVEN TOOL REDIRECTED BY 50mm VDI50	23
AXIAL GEARED-UP 1:2 DRIVEN TOOL REDIRECTED BY 50mm VDI50	24
0-180° ADJUSTABLE ANGLE DRIVEN TOOL VDI50	24
0-180° ADJUSTABLE ANGLE DRIVEN TOOL WITH DIGITAL DISPLAY VDI50	25
DRIVEN GEAR HOBBER VDI50	25
CAPTO DRIVEN	26
RADIAL DRIVEN TOOL CAPTO C4 VDI50	26
ACCESSORIES	27
DRIVEN	27
MTSK-32 ER ADAPTORS	27
MTSK-32 MILL ADAPTORS	28
MTSK-40 ER ADAPTORS	29
MTSK-40 MILL ADAPTORS	30
MTSK-50 ER ADAPTORS	31
MTSK-50 MILL ADAPTORS	32

VDI30

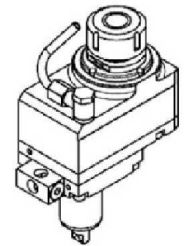
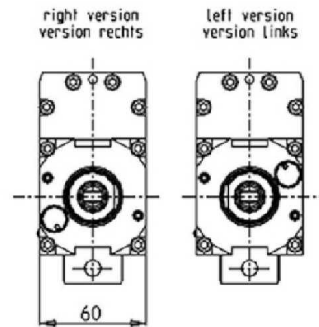
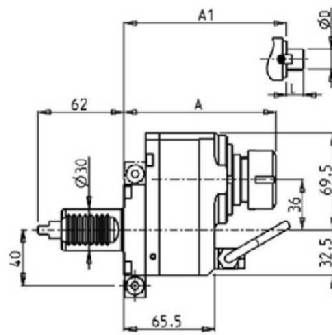
DRIVEN

AXIAL DRIVEN TOOL VDI30



PartNumber	Description	Spindle	I	RPM	Ext Cool	A
DUP0070120	Axial ER20 VDI30	ER20	1:1	6000	X	79.66
DUP0070125	Axial ER25 VDI30	ER25	1:1	6000	X	80.66

AXIAL DRIVEN TOOL REDIRECTED BY 36mm VDI30

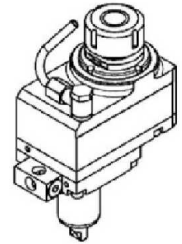
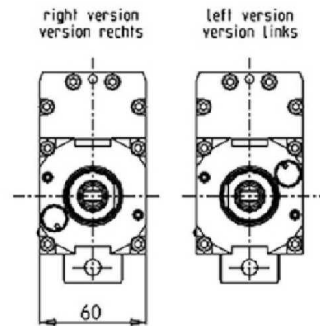
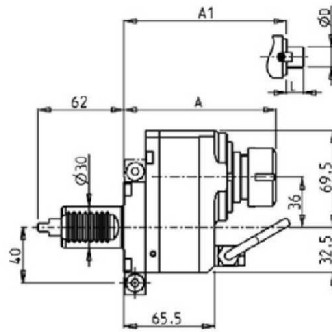


PartNumber	Description	VDI	Spindle	I	RPM	Ext Cool	A	A1	ϕD	L
DUP0270125	Axial ER25 Redirected by 36mm VDI30	RH	ER25	1:1	6000	X	109.66			
DUP0271125	Axial ER25 Redirected by 36mm VDI30	LH	ER25	1:1	6000	X	109.66			
DUP0270522	Axial $\phi 22 \times 19$ Redirected by 36mm VDI30	RH	$\phi 22 \times 19$	1:1	6000	X		90.5	22	19
DUP0271522	Axial $\phi 22 \times 19$ Redirected by 36mm VDI30	LH	$\phi 22 \times 19$	1:1	6000	X		90.5	22	19

VDI30

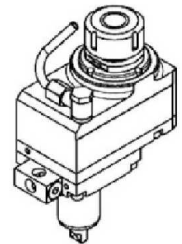
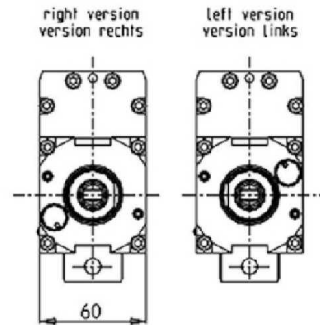
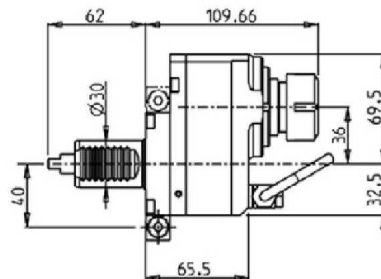
DRIVEN

AXIAL GEARED-DOWN 2:1 DRIVEN TOOL REDIRECTED BY 36mm VDI30



PartNumber	Description	VDI	Spindle	I	RPM	Ext Cool	A	A1	ØD	L
DUP0270325	Axial Geared-Down 2:1 ER25 VDI30	RH	ER25	2:1	3000	X	109.66			
DUP0271325	Axial Geared-Down 2:1 ER25 VDI30	LH	ER25	2:1	3000	X	109.66			
DUP0270722	Axial Geared-Down 2:1 Ø22x19 VDI30	RH	Ø22x19	2:1	3000	X		90.5	22	19
DUP0271722	Axial Geared-Down 2:1 Ø22x19 VDI30	LH	Ø22x19	2:1	3000	X		90.5	22	19

AXIAL GEARED-UP 1:2 DRIVEN TOOL REDIRECTED BY 36mm VDI30

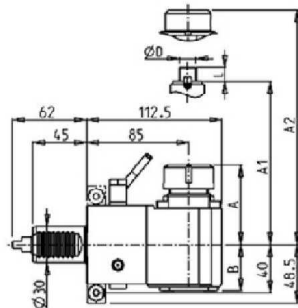


PartNumber	Description	VDI	Spindle	I	RPM	Ext Cool
DUP0270225	Axial Geared-Up 1:2 ER25 VDI30	RH	ER25	1:2	12000	X
DUP0271225	Axial Geared-Up 1:2 ER25 VDI30	LH	ER25	1:2	12000	X

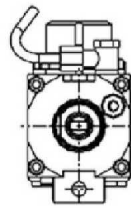
VDI30

DRIVEN

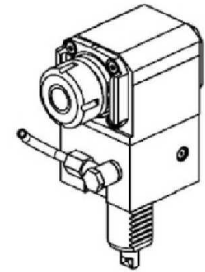
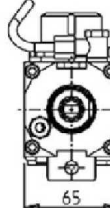
RADIAL DRIVEN TOOL VDI30 H=85mm



left version
version Links



right version
version rechts



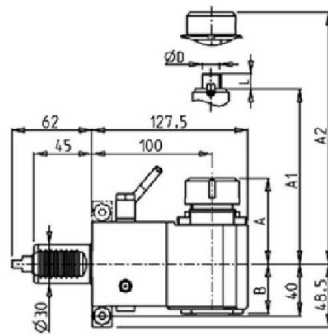
PartNumber	Description	VDI	Spindle	I	RPM	Cool Thru	Ext Cool	ØD	L	A	A1	A2	B
DUP0080125	Radial ER25 VDI30	RH	ER25	1:1	6000		X			66.2			38
DUP0081125	Radial ER25 VDI30	LH	ER25	1:1	6000		X			66.2			38
DUP0080225	Radial ER25 VDI30 Cool Thru*	RH	ER25	1:1	6000	X	X			66.2			48
DUP0081225	Radial ER25 VDI30 Cool Thru*	LH	ER25	1:1	6000	X	X			66.2			48
DUP0080416	Radial Mill Head Ø16x17mm VDI30	RH	16X17	1:1	6000		X	16	17		45		38
DUP0081416	Radial Mill Head Ø16x17mm VDI30	LH	16X17	1:1	6000		X	16	17		45		38
DUP0080422	Radial Mill Head Ø22x19mm VDI30	RH	22X19	1:1	6000		X	22	19		47		38
DUP0081422	Radial Mill Head Ø22x19mm VDI30	LH	22X19	1:1	6000		X	22	19		47		38
DUP0080316	Radial Weldon16 VDI30	RH	Weldon16	1:1	6000		X					54.5	38
DUP0081316	Radial Weldon16 VDI30	LH	Weldon16	1:1	6000		X					54.5	38

* Coolant Thru tools are designed for 1000 psi.
They require 5 Micron Filtration and **CANNOT** be run dry.

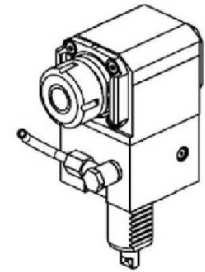
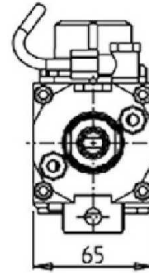
VDI30

DRIVEN

RADIAL DRIVEN TOOL VDI30 H=100mm



universal version



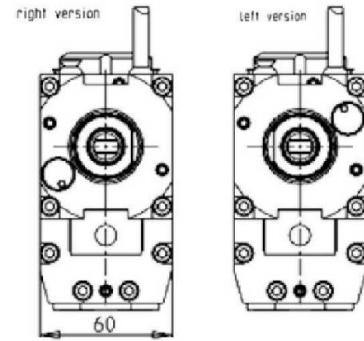
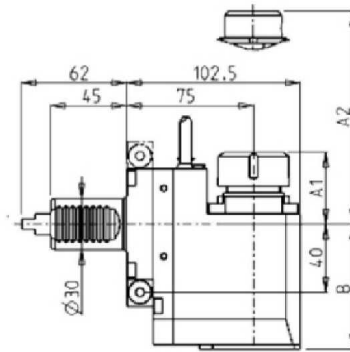
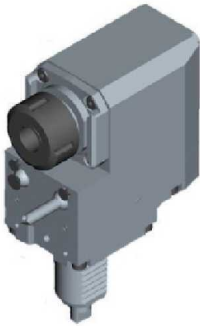
PartNumber	Description	VDI	Spindle	I	RPM	Cool Thru	Ext Cool	ØD	L	A	A1	A2	B
DUP0522125	Radial ER25 VDI30	Universal	ER25	1:1	6000		X			66.2			38
DUP0522225	Radial ER25 VDI30 Cool Thru*	Universal	ER25	1:1	6000	X	X			66.2			48
DUP0522416	Radial Mill Head Ø16x17 VDI30	Universal	Ø16x17	1:1	6000		X	16	17		45		38
DUP0522422	Radial Mill Head Ø22x19 VDI30	Universal	Ø22x19	1:1	6000		X	22	19		47		38
DUP0522316	Radial Weldon16 VDI30	Universal	Weldon16	1:1	6000		X					54.5	38

* Coolant Thru tools are designed for 1000 psi.
They require 5 Micron Filtration and **CANNOT** be run dry.

VDI30

DRIVEN

RADIAL REAR-SET DRIVEN TOOL VDI30 H=75mm



PartNumber	Description	VDI	Spindle	I	RPM	Cool Thru	Ext Cool	A1	A2	B
DUP0090120	Radial Rear-Set ER20 VDI30	RH	ER20	1:1	6000		X	41.16	73.5	
DUP0091120	Radial Rear-Set ER20 VDI30	LH	ER20	1:1	6000		X	41.16	73.5	
DUP0090220	Radial Rear-Set ER20 VDI30 Cool Thru*	RH	ER20	1:1	6000	X	X	41.16	83.5	
DUP0091220	Radial Rear-Set ER20 VDI30 Cool Thru*	LH	ER20	1:1	6000	X	X	41.16	83.5	
DUP0090320	Radial Rear-Set ERA20 VDI30	RH	ERA20	1:1	6000		X	24.5	73.5	
DUP0091320	Radial Rear-Set ERA20 VDI30	LH	ERA20	1:1	6000		X	24.5	73.5	
DUP0090420	Radial Rear-Set ERA20 VDI30 Cool Thru*	RH	ERA20	1:1	6000	X	X	24.5	83.5	
DUP0091420	Radial Rear-Set ERA20 VDI30 Cool Thru*	LH	ERA20	1:1	6000	X	X	24.5	83.5	
DUP0090125	Radial Rear-Set ER25 VDI30	RH	ER25	1:1	6000		X	42.16	73.5	
DUP0091125	Radial Rear-Set ER25 VDI30	LH	ER25	1:1	6000		X	42.16	73.5	
DUP0090225	Radial Rear-Set ER25 VDI30 Cool Thru*	RH	ER25	1:1	6000	X	X	42.16	83.5	
DUP0091225	Radial Rear-Set ER25 VDI30 Cool Thru*	LH	ER25	1:1	6000	X	X	42.16	83.5	
DUP0090325	Radial Rear-Set ERA25 VDI30	RH	ERA25	1:1	6000		X	28.5	73.5	
DUP0091325	Radial Rear-Set ERA25 VDI30	LH	ERA25	1:1	6000		X	28.5	73.5	
DUP0090425	Radial Rear-Set ERA25 VDI30 Cool Thru*	RH	ERA25	1:1	6000	X	X	28.5	83.5	
DUP0091425	Radial Rear-Set ERA25 VDI30 Cool Thru*	LH	ERA25	1:1	6000	X	X	28.5	83.5	
DUP0090516	Radial Rear-Set Weldon16 VDI30	RH	Weldon16	1:1	6000		X		27.5	73.5
DUP0091516	Radial Rear-Set Weldon16 VDI30	LH	Weldon16	1:1	6000		X		27.5	73.5

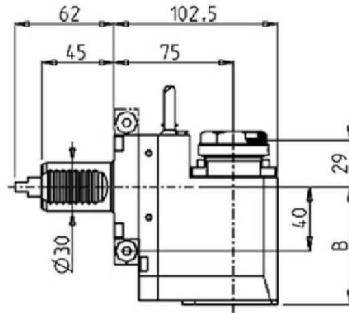
* Coolant Thru tools are designed for 1000 psi.
They require 5 Micron Filtration and **CANNOT** be run dry.

VDI30

DRIVEN

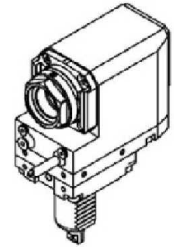
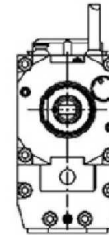
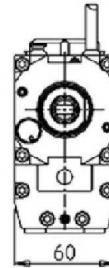
QUICK CHANGE RADIAL MTSK REAR-SET DRIVEN TOOL VDI30 H=75mm

See Accessories for MTSK Clamping Units



versione dx
right version
version rechts

versione sx
left version
version links



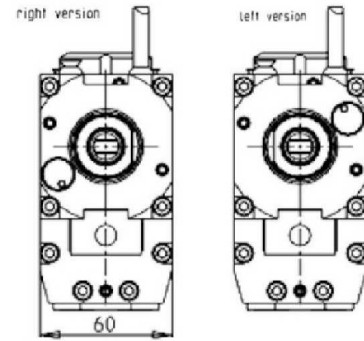
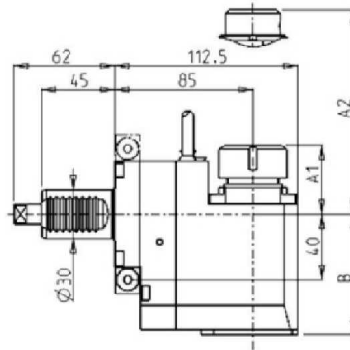
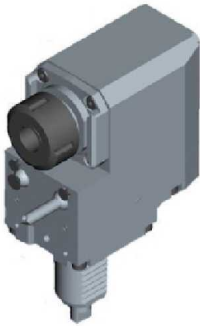
PartNumber	Description	VDI	Spindle	I	RPM	Cool Thru	Ext Cool	B
DUP0400132	Radial Rear-Set MTSK-32 VDI30	RH	MTSK-32	1:1	6000		X	73.5
DUP0401132	Radial Rear-Set MTSK-32 VDI30	LH	MTSK-32	1:1	6000		X	73.5
DUP0400232	Radial Rear-Set MTSK-32 VDI30 Cool Thru*	RH	MTSK-32	1:1	6000	X	X	83.5
DUP0401232	Radial Rear-Set MTSK-32 VDI30 Cool Thru*	LH	MTSK-32	1:1	6000	X	X	83.5

* Coolant Thru tools are designed for 1000 psi.
They require 5 Micron Filtration and **CANNOT** be run dry.

VDI30

DRIVEN

RADIAL REAR-SET DRIVEN TOOL VDI30 H=85mm



PartNumber	Description	VDI	Spindle	I	RPM	Cool Thru	Ext Cool	A1	A2	B
DUP0100120	Radial Rear-Set ER20 VDI30	RH	ER20	1:1	6000		X	41.16	73.5	
DUP0101120	Radial Rear-Set ER20 VDI30	LH	ER20	1:1	6000		X	41.16	73.5	
DUP0100220	Radial Rear-Set ER20 VDI30 Cool Thru*	RH	ER20	1:1	6000	X	X	41.16	83.5	
DUP0101220	Radial Rear-Set ER20 VDI30 Cool Thru*	LH	ER20	1:1	6000	X	X	41.16	83.5	
DUP0100320	Radial Rear-Set ERA20 VDI30	RH	ERA20	1:1	6000		X	24.5	73.5	
DUP0101320	Radial Rear-Set ERA20 VDI30	LH	ERA20	1:1	6000		X	24.5	73.5	
DUP0100420	Radial Rear-Set ERA20 VDI30 Cool Thru*	RH	ERA20	1:1	6000	X	X	24.5	83.5	
DUP0101420	Radial Rear-Set ERA20 VDI30 Cool Thru*	LH	ERA20	1:1	6000	X	X	24.5	83.5	
DUP0100125	Radial Rear-Set ER25 VDI30	RH	ER25	1:1	6000		X	42.16	73.5	
DUP0101125	Radial Rear-Set ER25 VDI30	LH	ER25	1:1	6000		X	42.16	73.5	
DUP0100225	Radial Rear-Set ER25 VDI30 Cool Thru*	RH	ER25	1:1	6000	X	X	42.16	83.5	
DUP0101225	Radial Rear-Set ER25 VDI30 Cool Thru*	LH	ER25	1:1	6000	X	X	42.16	83.5	
DUP0100325	Radial Rear-Set ERA25 VDI30	RH	ERA25	1:1	6000		X	28.5	73.5	
DUP0101325	Radial Rear-Set ERA25 VDI30	LH	ERA25	1:1	6000		X	28.5	73.5	
DUP0100425	Radial Rear-Set ERA25 VDI30 Cool Thru*	RH	ERA25	1:1	6000	X	X	28.5	83.5	
DUP0101425	Radial Rear-Set ERA25 VDI30 Cool Thru*	LH	ERA25	1:1	6000	X	X	28.5	83.5	
DUP0100516	Radial Rear-Set Weldon16 VDI30	RH	Weldon16	1:1	6000		X		27.5	73.5
DUP0101516	Radial Rear-Set Weldon16 VDI30	LH	Weldon16	1:1	6000		X		27.5	73.5

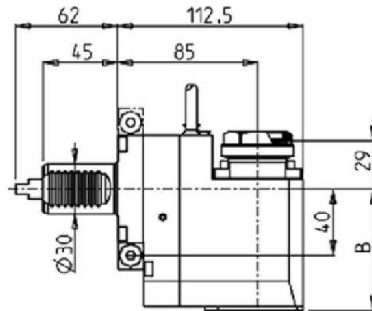
* Coolant Thru tools are designed for 1000 psi.
They require 5 Micron Filtration and **CANNOT** be run dry.

VDI30

DRIVEN

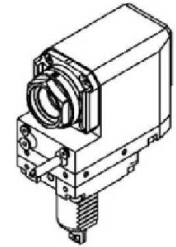
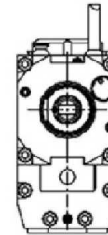
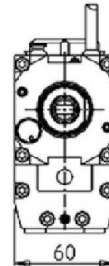
QUICK CHANGE RADIAL MTSK REAR-SET DRIVEN TOOL VDI30 H=85mm

See Accessories for MTSK Clamping Units



versione dx
right version
version rechts

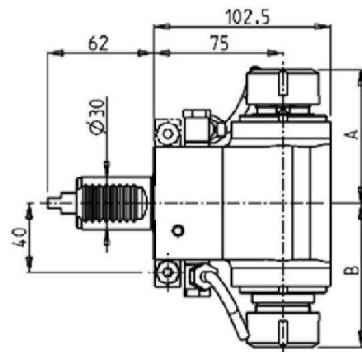
versione sx
left version
version links



PartNumber	Description	VDI	Spindle	I	RPM	Cool Thru	Ext Cool	B
DUP0410132	Radial Rear-Set MTSK-32 VDI30	RH	MTSK-32	1:1	6000		X	73.5
DUP0411132	Radial Rear-Set MTSK-32 VDI30	LH	MTSK-32	1:1	6000		X	73.5
DUP0410232	Radial Rear-Set MTSK-32 VDI30 Cool Thru*	RH	MTSK-32	1:1	6000	X	X	83.5
DUP0411232	Radial Rear-Set MTSK-32 VDI30 Cool Thru*	LH	MTSK-32	1:1	6000	X	X	83.5

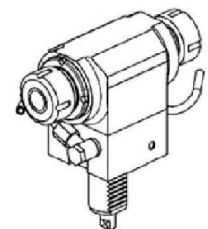
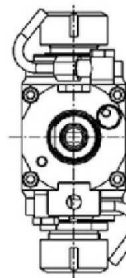
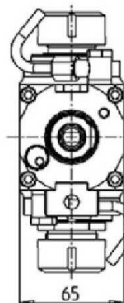
* Coolant Thru tools are designed for 1000 psi.
They require 5 Micron Filtration and **CANNOT** be run dry.

RADIAL OPPOSITE FACE TWIN DRIVEN TOOL VDI30 H=75mm



right version
version rechts

left version
version links

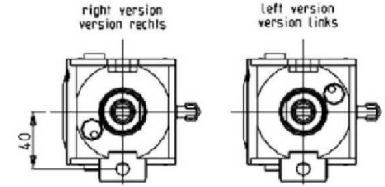
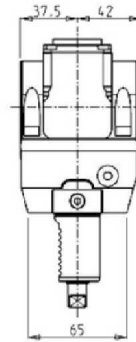
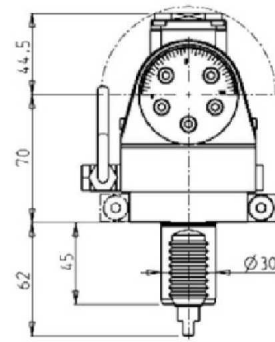
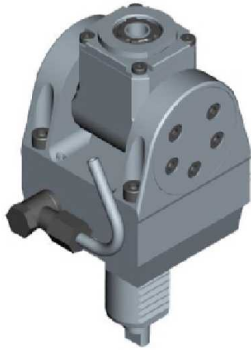


PartNumber	Description	VDI	Spindle	I	RPM	Ext Cool	A	B
DUP0330220	Radial Opposite Face ER20-ER20 VDI30	RH	ER20-ER20	1:1	6000	X	81.2	82.2
DUP0331220	Radial Opposite Face ER20-ER20 VDI30	LH	ER20-ER20	1:1	6000	X	81.2	82.2
DUP0330225	Radial Opposite Face ER25-ER25 VDI30	RH	ER25-ER25	1:1	6000	X	77.2	83.2
DUP0331225	Radial Opposite Face ER25-ER25 VDI30	LH	ER25-ER25	1:1	6000	X	77.2	83.2

VDI30

DRIVEN

0-180° ADJUSTABLE ANGLE DRIVEN TOOL VDI30



PartNumber	Description	VDI	Spindle	I	RPM	Cool Thru	Ext Cool
DUP0230116	0-180° Adj. Angle ERA16 VDI30	RH	ERA16	1:1	6000		X
DUP0231116	0-180° Adj. Angle ERA16 VDI30	LH	ERA16	1:1	6000		X
DUP0230216	0-180° Adj. Angle ERA16 VDI30 Cool Thru*	RH	ERA16	1:1	6000	X	X
DUP0231216	0-180° Adj. Angle ERA16 VDI30 Cool Thru*	LH	ERA16	1:1	6000	X	X

* Coolant Thru tools are designed for 1000 psi.
They require 5 Micron Filtration and **CANNOT** be run dry.

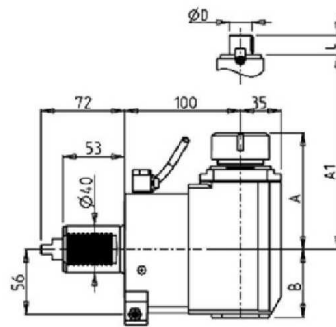
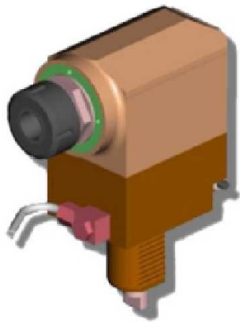
Note :

Wrenches are provided with the purchase of Specialty Toolholders

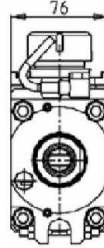
VDI40

DRIVEN

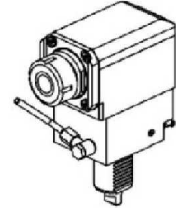
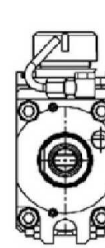
RADIAL DRIVEN TOOL VDI40



right version
version rechts



left version
version links



PartNumber	Description	VDI	Spindle	I	RPM	Cool Thru	Ext Cool	A	A1	B	D	L
DUP0040132	Radial ER32 VDI40	RH	ER32	1:1	6000		X	99.7		58.5		
DUP0043132	Radial ER32 VDI40	LH	ER32	1:1	6000		X	99.7		58.5		
DUP0040232	Radial ER32 VDI40 Cool Thru*	RH	ER32	1:1	6000	X	X	99.7		69.5		
DUP0043232	Radial ER32 VDI40 Cool Thru*	LH	ER32	1:1	6000	X	X	99.7		69.5		
DUP0040140	Radial ER40 VDI40	RH	ER40	1:1	6000		X	103.7		58.5		
DUP0043140	Radial ER40 VDI40	LH	ER40	1:1	6000		X	103.7		58.5		
DUP0040240	Radial ER40 VDI40 Cool Thru*	RH	ER40	1:1	6000	X	X	103.7		69.5		
DUP0043240	Radial ER40 VDI40 Cool Thru*	LH	ER40	1:1	6000	X	X	103.7		69.5		
DUP0042219	Radial Mill Head Ø22x19mm VDI40	RH	Ø22x19	1:1	6000		X		78.5	58.5	22	19
DUP0043219	Radial Mill Head Ø22x19mm VDI40	LH	Ø22x19	1:1	6000		X		78.5	58.5	22	19
DUP0042721	Radial Mill Head Ø27x21mm VDI40	RH	Ø27x21	1:1	6000		X		78.5	58.5	27	21
DUP0043721	Radial Mill Head Ø27x21mm VDI40	LH	Ø27x21	1:1	6000		X		78.5	58.5	27	21

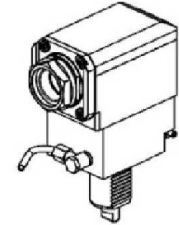
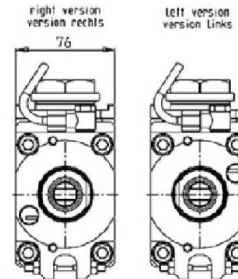
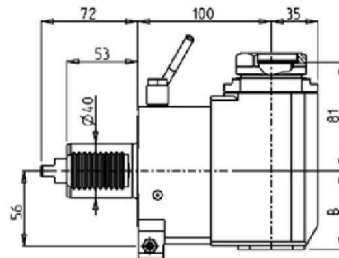
* Coolant Thru tools are designed for 1000 psi.
They require 5 Micron Filtration and **CANNOT** be run dry.

VDI40

DRIVEN

QUICK CHANGE RADIAL MTSK DRIVEN TOOL VDI40

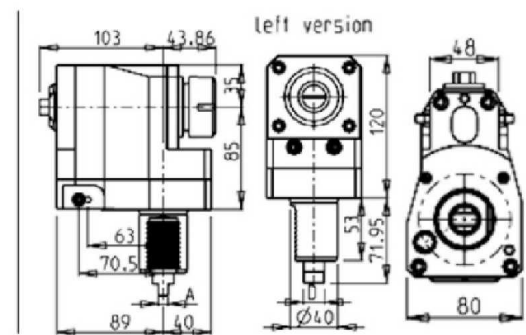
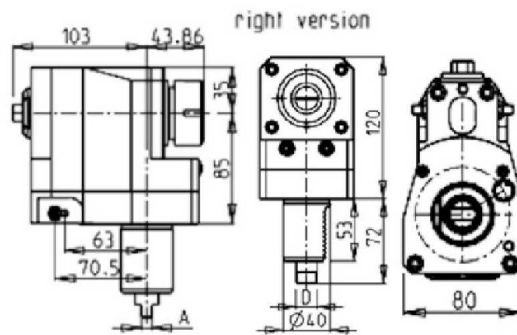
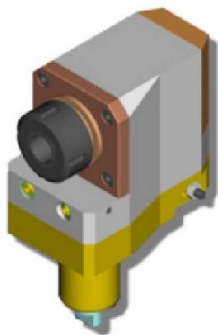
See Accessories for MTSK Clamping Units



PartNumber	Description	VDI	Spindle	I	RPM	Cool Thru	Ext Cool	B
DUP0130140	Radial MTSK-40 VDI40	RH	MTSK-40	1:1	6000		X	58.5
DUP0133140	Radial MTSK-40 VDI40	LH	MTSK-40	1:1	6000		X	58.5
DUP0130240	Radial MTSK-40 VDI40 Cool Thru*	RH	MTSK-40	1:1	6000	X	X	69.5
DUP0133240	Radial MTSK-40 VDI40 Cool Thru*	LH	MTSK-40	1:1	6000	X	X	69.5

* Coolant Thru tools are designed for 1000 psi.
They require 5 Micron Filtration and **CANNOT** be run dry.

RADIAL REAR-SET DRIVEN TOOL VDI40 H=85mm

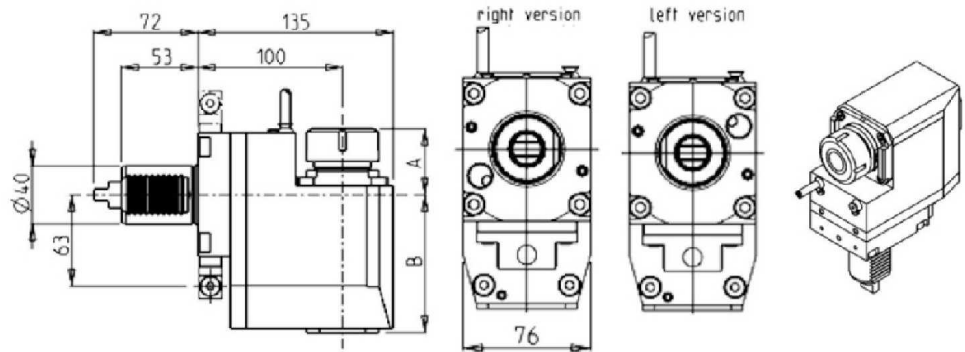
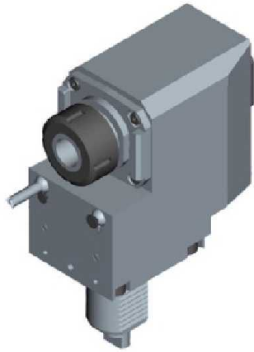


PartNumber	Description	VDI	Spindle	I	RPM	Ext Cool	Turret	A	D
141DUP_R32_40A00	Radial Rear-Set ER32 VDI40	RH	ER32	1:1	6000	X	Duplomatic	8	18
141DUP_R32_40A20	Radial Rear-Set ER32 VDI40	LH	ER32	1:1	6000	X	Duplomatic	8	18
141DUP_R32_40A01	Radial Rear-Set ER32 VDI40	RH	ER32	1:1	6000	X	Duplomatic Comev	6	12
141DUP_R32_40A21	Radial Rear-Set ER32 VDI40	LH	ER32	1:1	6000	X	Duplomatic Comev	6	12

VDI40

DRIVEN

RADIAL REAR-SET DRIVEN TOOL VDI40 H=100mm

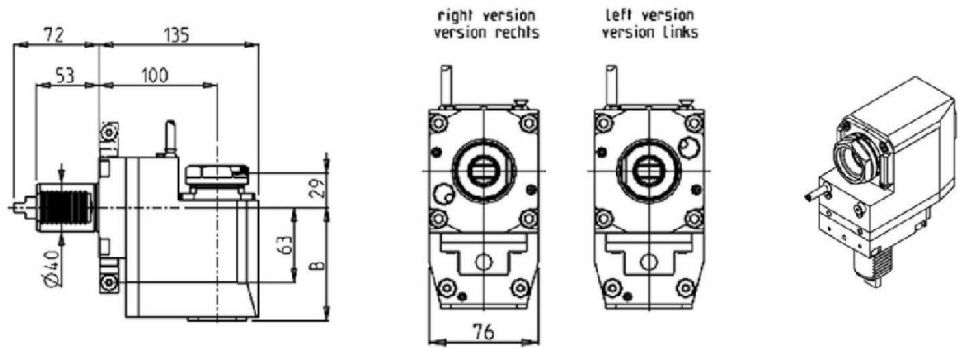


PartNumber	Description	VDI	Spindle	I	RPM	Cool Thru	Ext Cool	A	B
DUP0220125	Radial Rear-Set ER25 VDI40	RH	ER25	1:1	6000		X	42.66	95
DUP0221125	Radial Rear-Set ER25 VDI40	LH	ER25	1:1	6000		X	42.66	95
DUP0220225	Radial Rear-Set ER25 VDI40 Cool Thru*	RH	ER25	1:1	6000	X	X	42.66	108.5
DUP0221225	Radial Rear-Set ER25 VDI40 Cool Thru*	LH	ER25	1:1	6000	X	X	42.66	108.5
DUP0220132	Radial Rear-Set ER32 VDI40	RH	ER32	1:1	6000		X	45.66	95
DUP0221132	Radial Rear-Set ER32 VDI40	LH	ER25	1:1	6000		X	45.66	95
DUP0220232	Radial Rear-Set ER32 VDI40 Cool Thru*	RH	ER32	1:1	6000	X	X	45.66	108.5
DUP0221232	Radial Rear-Set ER32 VDI40 Cool Thru*	LH	ER25	1:1	6000	X	X	45.66	108.5

* Coolant Thru tools are designed for 1000 psi.
They require 5 Micron Filtration and **CANNOT** be run dry.

QUICK CHANGE RADIAL MTSK REAR-SET DRIVEN TOOL VDI40 H=100mm

See Accessories for MTSK Clamping Units



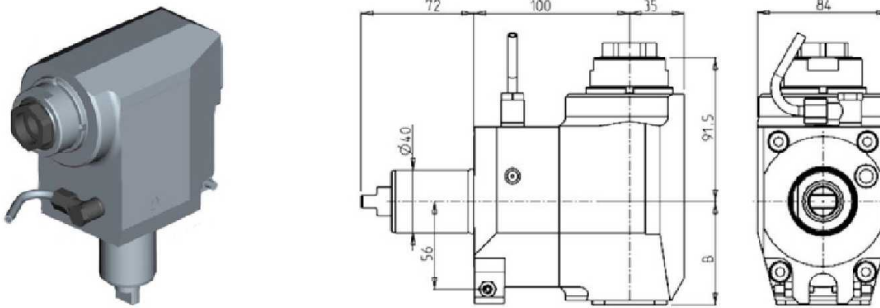
PartNumber	Description	VDI	Spindle	I	RPM	Cool Thru	Ext Cool	B
DUP0430140	Radial Rear-Set MTSK-40 VDI40	RH	MTSK-40	1:1	6000		X	95
DUP0431140	Radial Rear-Set MTSK-40 VDI40	LH	MTSK-40	1:1	6000		X	95
DUP0430240	Radial Rear-Set MTSK-40 VDI40 Cool Thru*	RH	MTSK-40	1:1	6000	X	X	108.5
DUP0431240	Radial Rear-Set MTSK-40 VDI40 Cool Thru*	LH	MTSK-40	1:1	6000	X	X	108.5

* Coolant Thru tools are designed for 1000 psi.
They require 5 Micron Filtration and **CANNOT** be run dry.

VDI40

DRIVEN

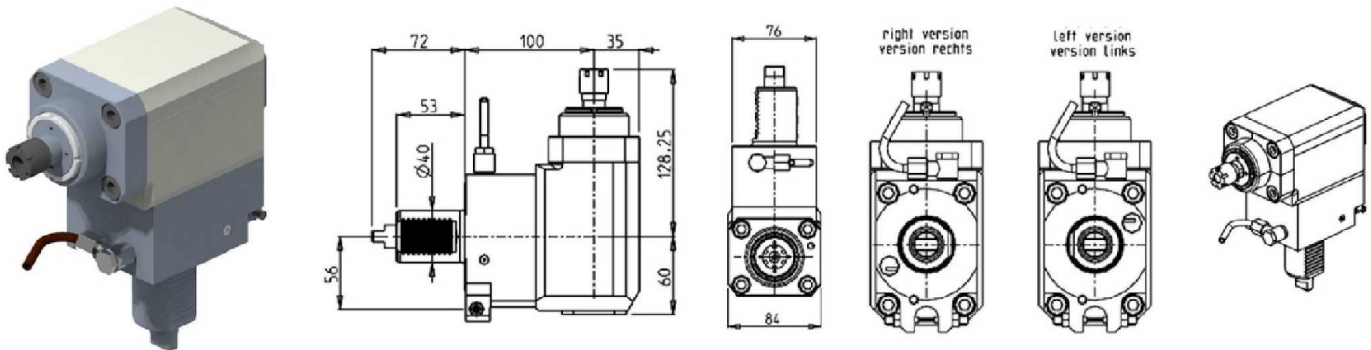
RADIAL GEARED-UP 1:2 DRIVEN TOOL VDI40



PartNumber	Description	Spindle	I	RPM	Cool Thru	Ext Cool	B
DUP0110332	Radial Geared-Up 1:2 ERA32 VDI40	ERA32	1:2	12000		X	66
DUP0110432	Radial Geared-Up 1:2 ERA32 VDI40 Cool Thru*	ERA32	1:2	12000	X	X	76

* Coolant Thru tools are designed for 1000 psi.
They require 5 Micron Filtration and **CANNOT** be run dry.

RADIAL GEARED-UP 1:3 DRIVEN TOOL VDI40



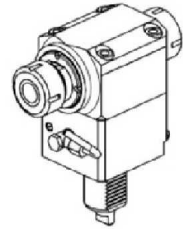
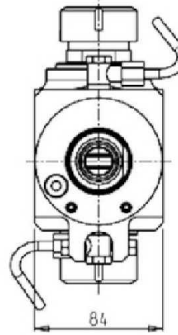
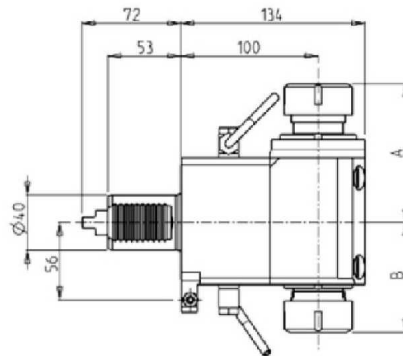
PartNumber	Description	VDI	Spindle	I	RPM	Ext Cool
DUP0360016	Radial Geared-Up 1:3 ER16 VDI40	RH	ER16	1:3	18000	X
DUP0363016	Radial Geared-Up 1:3 ER16 VDI40	LH	ER16	1:3	18000	X

Note : Wrenches are provided with the purchase of Specialty Toolholders

VDI40

DRIVEN

RADIAL OPPOSITE FACE TWIN DRIVEN TOOL VDI40

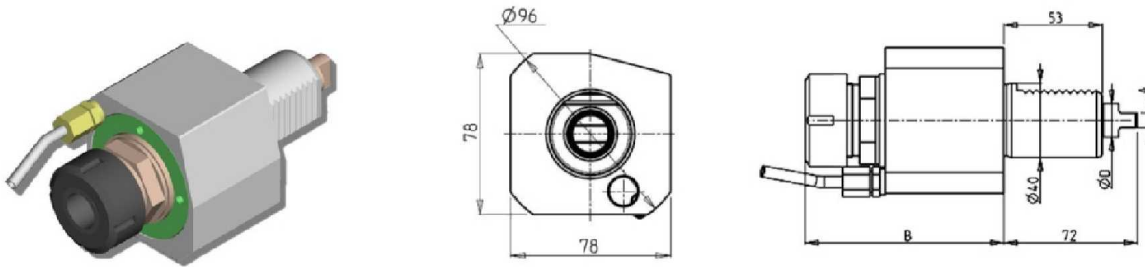


PartNumber	Description	Spindle	I	RPM	Ext Cool	A	B
DUP0240225	Radial Opposite Face ER25+ER25 VDI40	ER25+ER25	1:1	6000	X	95.4	75.5
DUP0240232	Radial Opposite Face ER32+ER32 VDI40	ER32+ER32	1:1	6000	X	100.6	79.5

VDI40

DRIVEN

AXIAL DRIVEN TOOL VDI40

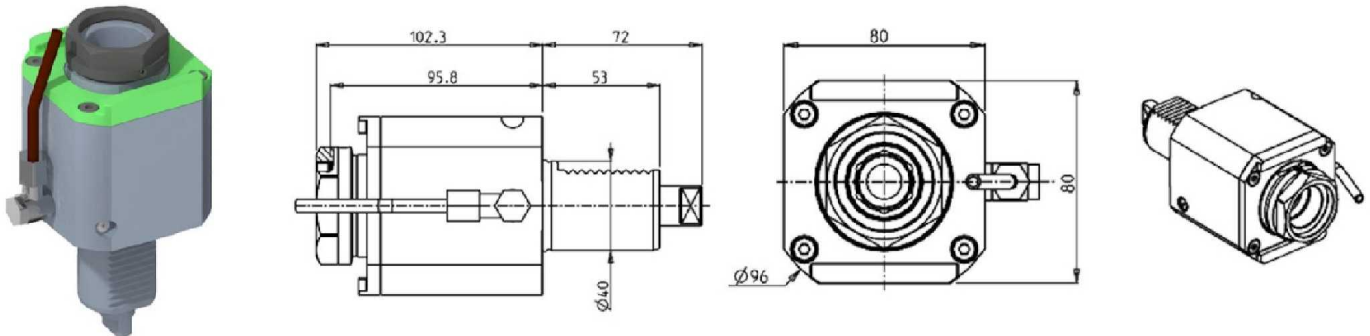


PartNumber	Description	Spindle	I	RPM	Cool Thru	Ext Cool	Turret	A	B	D
DUP0560332	Axial ERA32 VDI40	ERA32	1:1	6000		X	Diplomatic	8	82.1	18
142DUP_A32_40A00	Axial ER32 VDI40	ER32	1:1	6000			Diplomatic	8	107.26	18
DUP0570232	Axial ER32 VDI40 Cool Thru*	ER32	1:1	6000	X	X	Diplomatic	8	112.96	18
142DUP_A32_40A01	Axial ER32 VDI40	ER32	1:1	6000			Diplomatic Comev	6	107.26	12

* Coolant Thru tools are designed for 1000 psi.
They require 5 Micron Filtration and **CANNOT** be run dry.

QUICK CHANGE AXIAL MTSK DRIVEN TOOL VDI40

See Accessories for MTSK Clamping Units



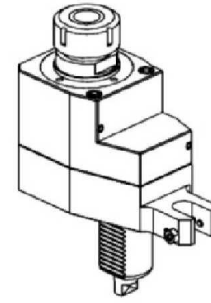
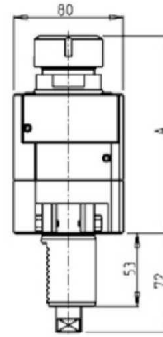
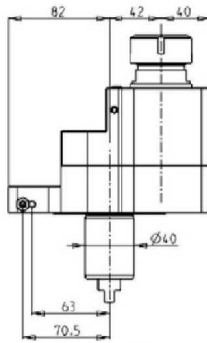
PartNumber	Description	Spindle	I	RPM	Cool Thru	Ext Cool
DUP0510140	Axial MTSK-40 VDI40	MTSK-40	1:1	6000		X
DUP0510240	Axial MTSK-40 VDI40 Cool Thru*	MTSK-40	1:1	6000	X	X

* Coolant Thru tools are designed for 1000 psi.
They require 5 Micron Filtration and **CANNOT** be run dry.

VDI40

DRIVEN

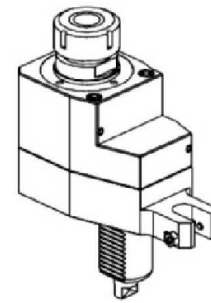
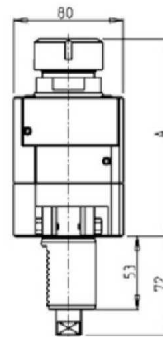
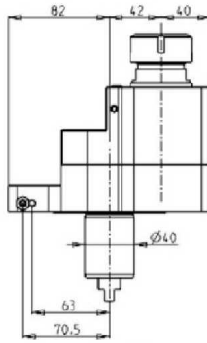
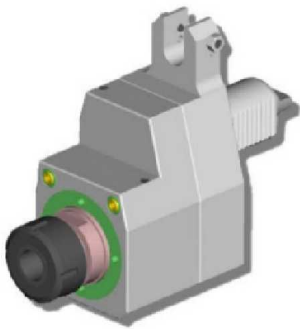
AXIAL DRIVEN TOOL REDIRECTED BY 42mm VDI40



PartNumber	Description	VDI	Spindle	I	RPM	Cool Thru	Ext Cool	A
145DUP_A32_40A00	Axial Redirected ER32 VDI40	RH	ER32	1:1	6000		X	144.46
145DUP_A32_40A10	Axial Redirected ER32 VDI40 Cool Thru*	RH	ER32	1:1	6000	X		164.96

*Coolant Thru tools are designed for 400 psi MAX.
They require 5 Micron Filtration and **CANNOT** be run dry.

AXIAL GEARED-DOWN 2:1 DRIVEN TOOL REDIRECTED BY 42mm VDI40



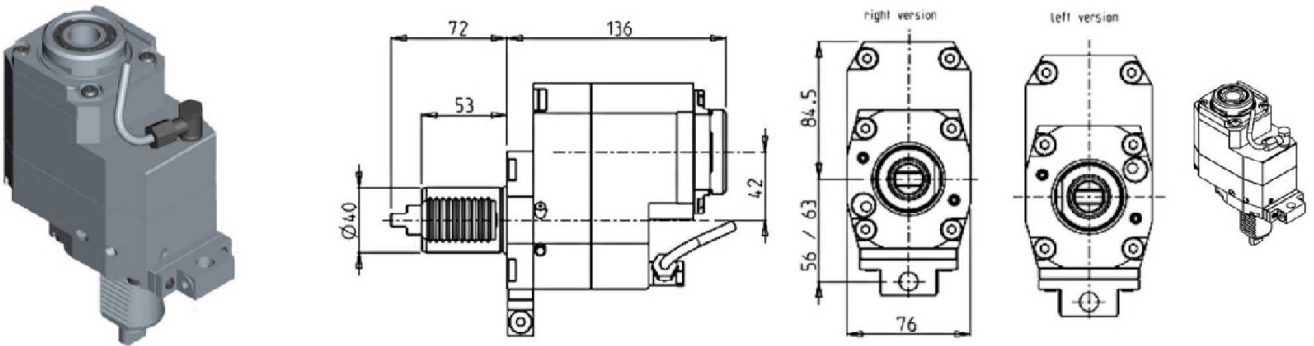
PartNumber	Description	VDI	Spindle	I	RPM	Cool Thru	Ext Cool	A
145DUP_A32_40A20	Axial Geared-Down 2:1 ER32 VDI40	RH	ER32	2:1	3000		X	144.46
145DUP_A32_40A30	Axial Geared-Down 2:1 ER32 VDI40 Cool Thru*	RH	ER32	2:1	3000	X		164.96

*Coolant Thru tools are designed for 400 psi MAX.
They require 5 Micron Filtration and **CANNOT** be run dry.

VDI40

DRIVEN

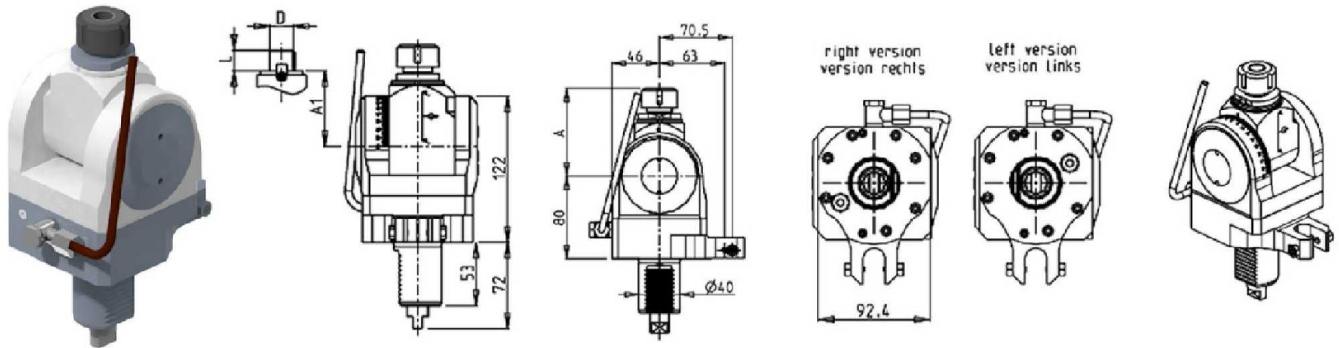
AXIAL GEARED-UP 1:2 DRIVEN TOOL REDIRECTED BY 42mm VDI40



PartNumber	Description	VDI	Spindle	I	RPM	Cool Thru	Ext Cool
DUP0156132	Axial Geared-Up 1:2 ERA32 VDI40	RH	ERA32	1:2	12000		X
DUP0156232	Axial Geared-Up 1:2 ERA32 VDI40 Cool Thru*	RH	ERA32	1:2	12000	X	X
DUP0157132	Axial Geared-Up 1:2 ERA32 VDI40	LH	ERA32	1:2	12000		X
DUP0157232	Axial Geared-Up 1:2 ERA32 VDI40 Cool Thru*	LH	ERA32	1:2	12000	X	X

* Coolant Thru tools are designed for 1000 psi.
They require 5 Micron Filtration and **CANNOT** be run dry.

0-180° ADJUSTABLE ANGLE DRIVEN TOOL VDI40



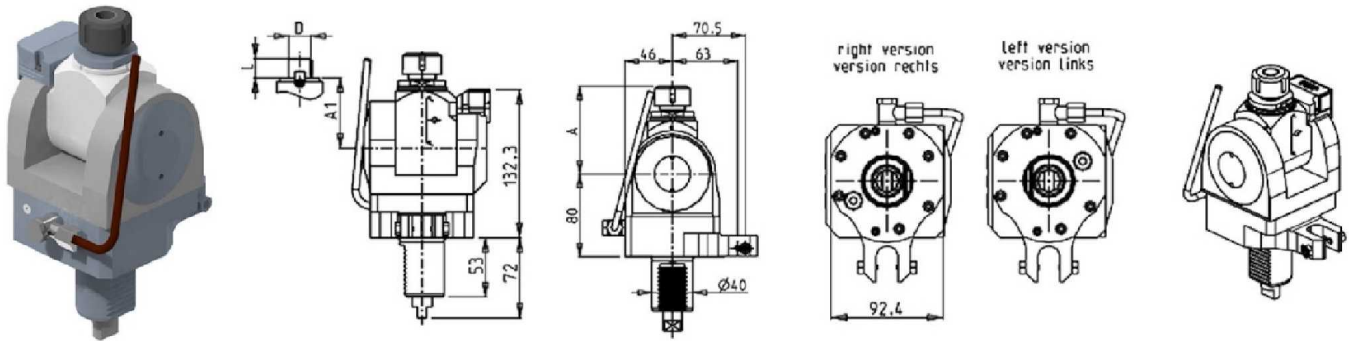
PartNumber	Description	VDI	Spindle	I	RPM	Ext Cool	A	A1	D	L
DUP0490120	0-180° Adj. Angle ER20 VDI40	RH	ER20	1:1	6000	X	85.16			
DUP0491120	0-180° Adj. Angle ER20 VDI40	LH	ER20	1:1	6000	X	85.16			
DUP0490125	0-180° Adj. Angle ER25 VDI40	RH	ER25	1:1	6000	X	86.16			
DUP0491125	0-180° Adj. Angle ER25 VDI40	LH	ER25	1:1	6000	X	86.16			
DUP0490519	0-180° Adj. Angle 3/4"x3/4" VDI40	RH	3/4"x3/4"	1:1	6000	X		65	3/4"	3/4"
DUP0491519	0-180° Adj. Angle 3/4"x3/4" VDI40	LH	3/4"x3/4"	1:1	6000	X		65	3/4"	3/4"
DUP0490516	0-180° Adj. Angle Ø16x17mm VDI40	RH	Ø16x17	1:1	6000	X		65	16	17
DUP0491516	0-180° Adj. Angle Ø16x17mm VDI40	LH	Ø16x17	1:1	6000	X		65	16	17
DUP0490522	0-180° Adj. Angle Ø22x19mm VDI40	RH	Ø22x19	1:1	6000	X		66	22	19
DUP0491522	0-180° Adj. Angle Ø22x19mm VDI40	LH	Ø22x19	1:1	6000	X		66	22	19

Note : Wrenches are provided with the purchase of Specialty Toolholders

VDI40

DRIVEN

0-180° ADJUSTABLE ANGLE DRIVEN TOOL WITH DIGITAL DISPLAY VDI40



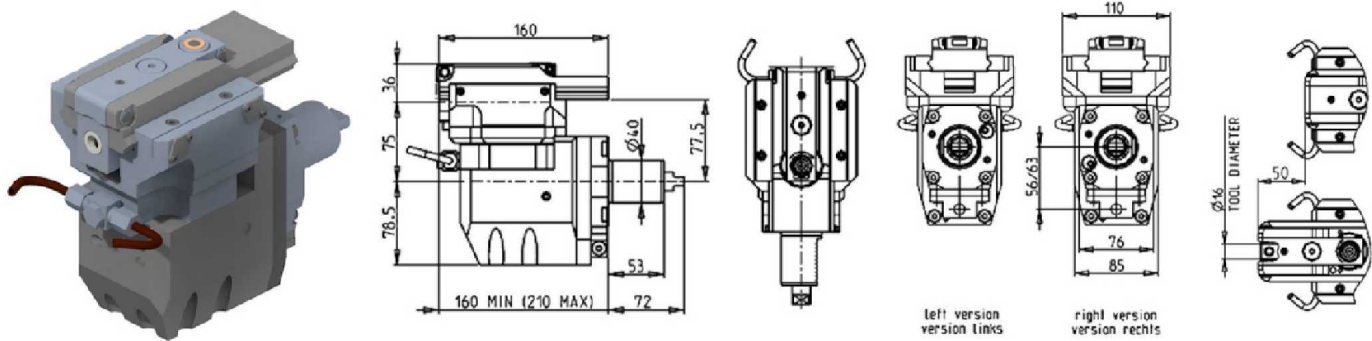
PartNumber	Description	VDI	Spindle	I	RPM	Ext Cool	A	A1	D	L
DUP0450120	0-180° Adj. Angle ER20 with Digital Display VDI40	RH	ER20	1:1	6000	X	85.16			
DUP0451120	0-180° Adj. Angle ER20 with Digital Display VDI40	LH	ER20	1:1	6000	X	85.16			
DUP0450125	0-180° Adj. Angle ER25 with Digital Display VDI40	RH	ER25	1:1	6000	X	86.16			
DUP0451125	0-180° Adj. Angle ER25 with Digital Display VDI40	LH	ER25	1:1	6000	X	86.16			
DUP0450519	0-180° Adj. Angle 3/4"x3/4" with Digital Display VDI40	RH	3/4"x3/4"	1:1	6000	X	65	3/4"	3/4"	
DUP0451519	0-180° Adj. Angle 3/4"x3/4" with Digital Display VDI40	LH	3/4"x3/4"	1:1	6000	X	65	3/4"	3/4"	
DUP0450516	0-180° Adj. Angle Ø16x17 with Digital Display VDI40	RH	Ø16x17	1:1	6000	X	65	16	17	
DUP0451516	0-180° Adj. Angle Ø16x17 with Digital Display VDI40	LH	Ø16x17	1:1	6000	X	65	16	17	
DUP0450522	0-180° Adj. Angle Ø22x19 with Digital Display VDI40	RH	Ø22x19	1:1	6000	X	66	22	19	
DUP0451522	0-180° Adj. Angle Ø22x19 with Digital Display VDI40	LH	Ø22x19	1:1	6000	X	66	22	19	

Note : Wrenches are provided with the purchase of Specialty Toolholders

VDI40

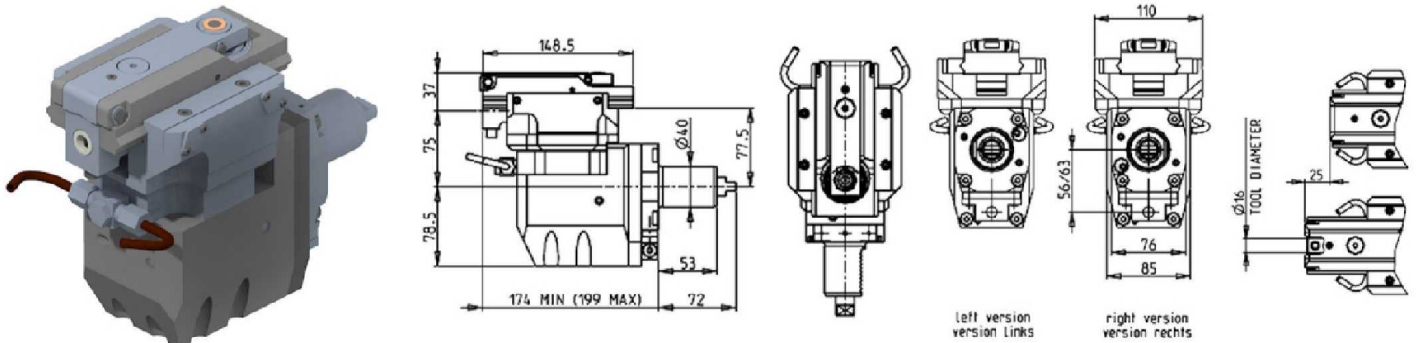
DRIVEN

BROACHING/SLOTING DRIVEN TOOL 50mm STROKE VDI40



PartNumber	Description	VDI	I	MAX RPM	Ext Cool
DUP0440100	Broaching/Slotting Driven Tool 50mm Stroke VDI40	RH	4:1	2000	X
DUP0441100	Broaching/Slotting Driven Tool 50mm Stroke VDI40	LH	4:1	2000	X

BROACHING/SLOTING DRIVEN TOOL 25mm STROKE VDI40

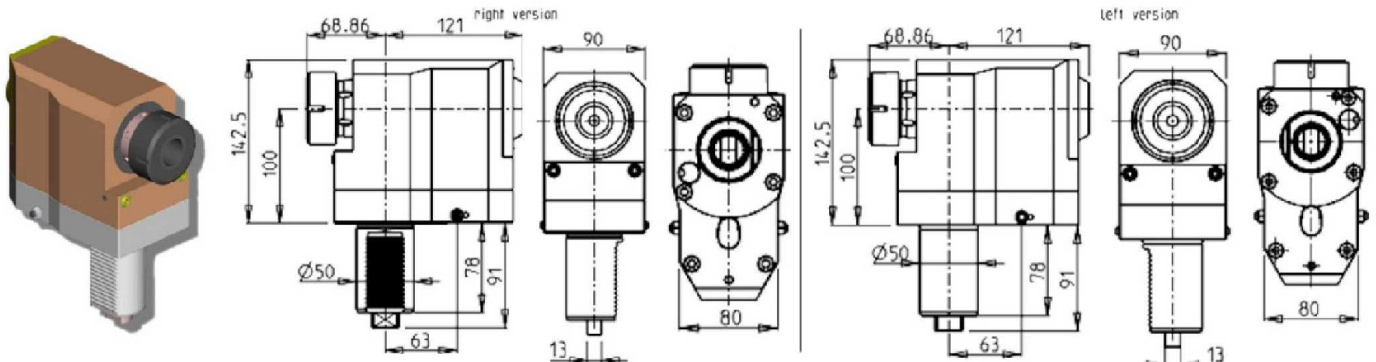


PartNumber	Description	VDI	I	MAX RPM	Ext Cool
DUP0440200	Broaching/Slotting Driven Tool 25mm Stroke VDI40	RH	4:1	2400	X
DUP0441200	Broaching/Slotting Driven Tool 25mm Stroke VDI40	LH	4:1	2400	X

VDI50

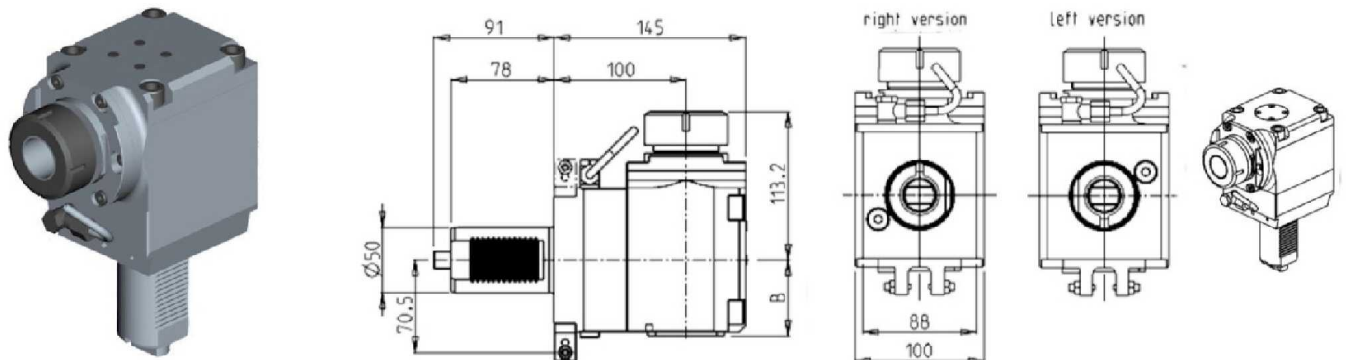
DRIVEN

RADIAL DRIVEN TOOL VDI50



PartNumber	Description	VDI	Spindle	I	RPM	Ext Cool
151DUP_R40_50A00	Radial ER40 VDI50	RH	ER40	1:1	4000	X
151DUP_R40_50A20	Radial ER40 VDI50	LH	ER40	1:1	4000	X

RADIAL DRIVEN TOOL VDI50



PartNumber	Description	VDI	Spindle	I	RPM	Cool Thru	Ext Cool	B
DUP0200140	Radial ER40 VDI50	RH	ER40	1:1	4000		X	58
DUP0201140	Radial ER40 VDI50	LH	ER40	1:1	4000		X	58
DUP0200240	Radial ER40 VDI50 Cool Thru*	RH	ER40	1:1	4000	X	X	66.5
DUP0201240	Radial ER40 VDI50 Cool Thru*	LH	ER40	1:1	4000	X	X	66.5

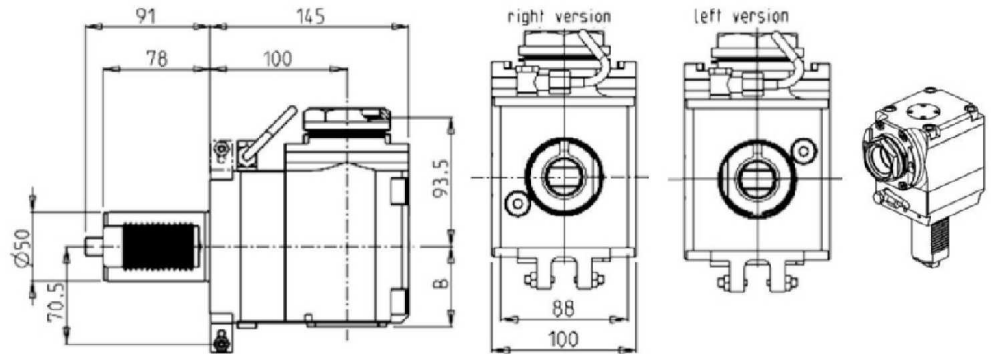
* Coolant Thru tools are designed for 1000 psi.
They require 5 Micron Filtration and **CANNOT** be run dry.

VDI50

DRIVEN

QUICK CHANGE RADIAL MTSK DRIVEN TOOL VDI50

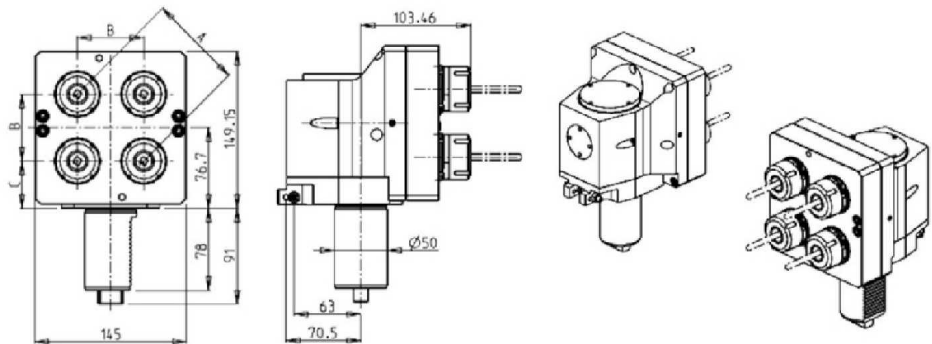
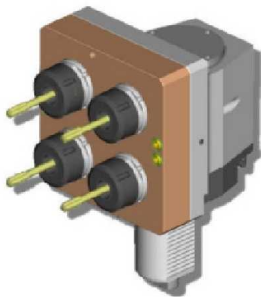
See Accessories for MTSK Clamping Units



PartNumber	Description	VDI	Spindle	I	RPM	Cool Thru	Ext Cool	B
DUP0210150	Radial MTSK-50 VDI50	RH	MTSK-50	1:1	4000		X	58
DUP0211150	Radial MTSK-50 VDI50	LH	MTSK-50	1:1	4000		X	58
DUP0210250	Radial MTSK-50 VDI50 Cool Thru*	RH	MTSK-50	1:1	4000	X	X	66.5
DUP0211250	Radial MTSK-50 VDI50 Cool Thru*	LH	MTSK-50	1:1	4000	X	X	66.5

* Coolant Thru tools are designed for 1000 psi.
They require 5 Micron Filtration and **CANNOT** be run dry.

RADIAL 4 HEAD DRIVEN TOOL VDI50

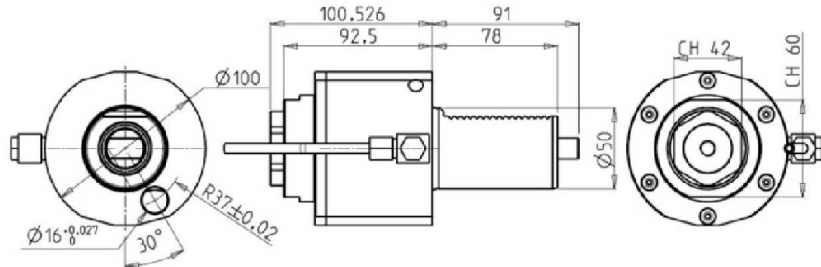
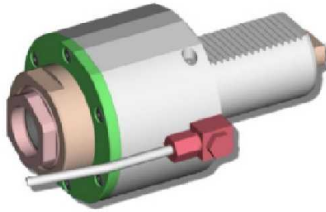


PartNumber	Description	VDI	Spindle	# of Tools	I	RPM	Ext Cool	A	B	C
0240025X4_90	Radial ER25 4-Head VDI50	RH	ER25	4	2:1	2000	X	90	63.64	44.88
0240025X4_105	Radial ER25 4-Head VDI50	RH	ER25	4	2:1	2000	X	105	74.246	39.577

VDI50

DRIVEN

AXIAL DRIVEN TOOL VDI50

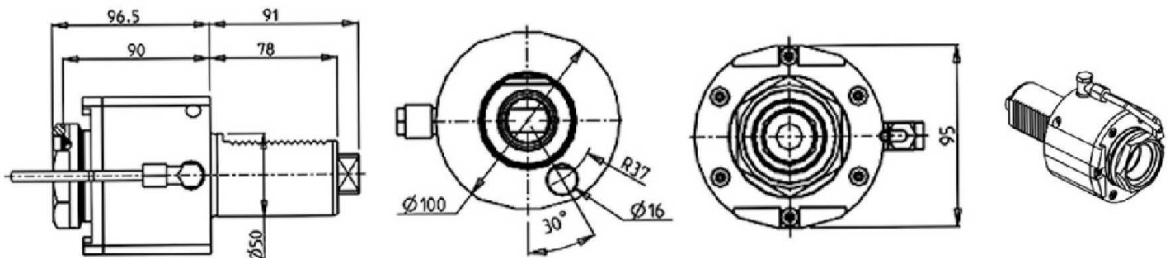


PartNumber	Description	Spindle	I	RPM	Cool Thru	Ext Cool
DUP0020140	Axial ERA40 VDI50	ERA40	1:1	4000		X
DUP0020240	Axial ERA40 VDI50 Cool Thru *	ERA40	1:1	4000	X	X

*Coolant Thru tools are designed for 400 psi MAX.
They require 5 Micron Filtration and **CANNOT** be run dry.

QUICK CHANGE AXIAL MTSK DRIVEN TOOL VDI50

See Accessories for MTSK Clamping Units

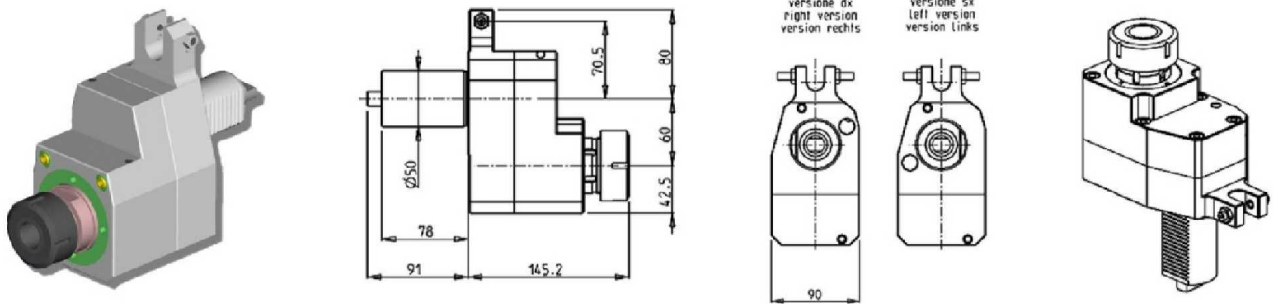


PartNumber	Description	Spindle	I	RPM	Ext Cool
DUP0470150	Axial MTSK-50 VDI50	MTSK-50	1:1	4000	X

VDI50

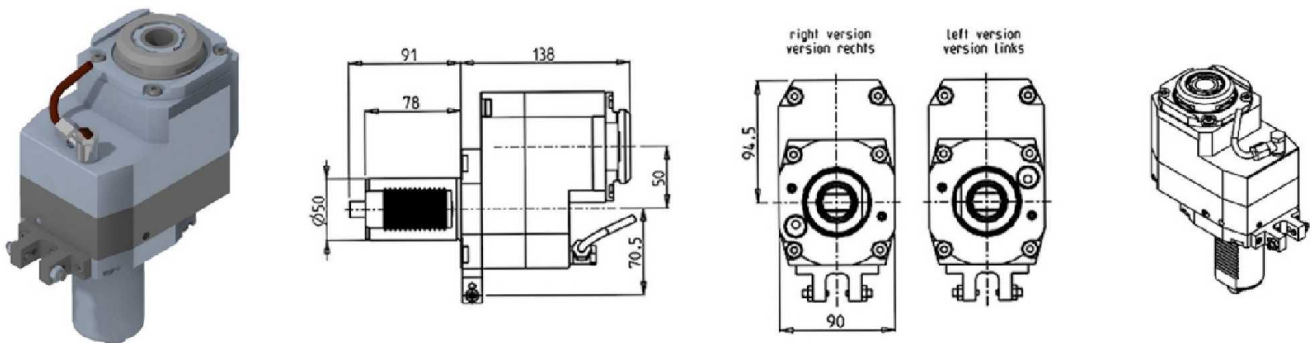
DRIVEN

AXIAL DRIVEN TOOL REDIRECTED BY 60mm VDI50



PartNumber	Description	VDI	Spindle	I	RPM	Ext Cool
155DUP_A40_50A00	Axial Redirected by 60mm ER40 VDI50	RH	ER40	1:1	4000	X
155DUP_A40_50A20	Axial Redirected by 60mm ER40 VDI50	LH	ER40	1:1	4000	X

AXIAL GEARED-DOWN 2:1 DRIVEN TOOL REDIRECTED BY 50mm VDI50



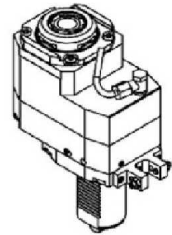
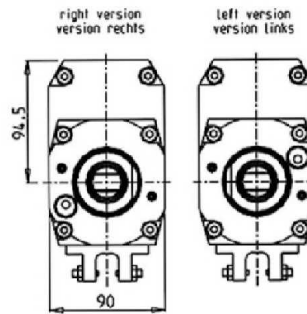
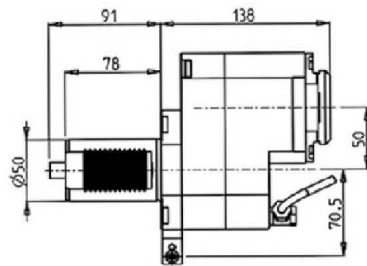
PartNumber	Description	VDI	Spindle	I	RPM	Cool Thru	Ext Cool
DUP0543132	Axial Geared-Down 2:1 ERA32 VDI50	RH	ERA32	2:1	2000		X
DUP0544132	Axial Geared-Down 2:1 ERA32 VDI50	LH	ERA32	2:1	2000		X
DUP0543232	Axial Geared-Down 2:1 ERA32 VDI50 Cool Thru*	RH	ERA32	2:1	2000	X	X
DUP0544232	Axial Geared-Down 2:1 ERA32 VDI50 Cool Thru*	LH	ERA32	2:1	2000	X	X

* Coolant Thru tools are designed for 1000 psi.
They require 5 Micron Filtration and **CANNOT** be run dry.

VDI50

DRIVEN

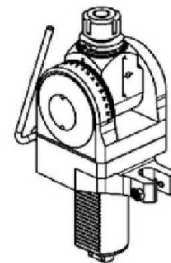
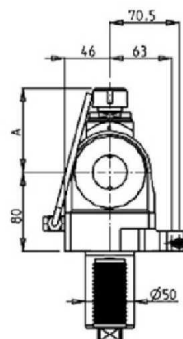
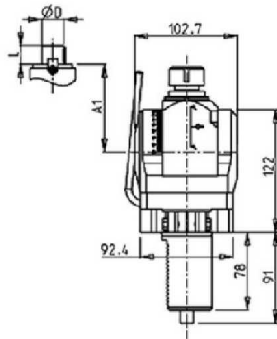
AXIAL GEARED-UP 1:2 DRIVEN TOOL REDIRECTED BY 50mm VDI50



PartNumber	Description	VDI	Spindle	I	RPM	Cool Thru	Ext Cool
DUP0546132	Axial Geared-Up 1:2 ERA32 VDI50	RH	ERA32	1:2	8000		X
DUP0547132	Axial Geared-Up 1:2 ERA32 VDI50	LH	ERA32	1:2	8000		X
DUP0546232	Axial Geared-Up 1:2 ERA32 VDI50 Cool Thru*	RH	ERA32	1:2	8000	X	X
DUP0547232	Axial Geared-Up 1:2 ERA32 VDI50 Cool Thru*	LH	ERA32	1:2	8000	X	X

* Coolant Thru tools are designed for 1000 psi. They require 5 Micron Filtration and **CANNOT** be run dry.

0-180° ADJUSTABLE ANGLE DRIVEN TOOL VDI50



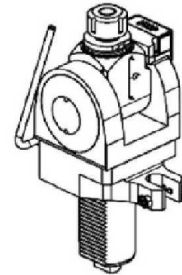
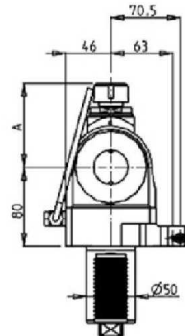
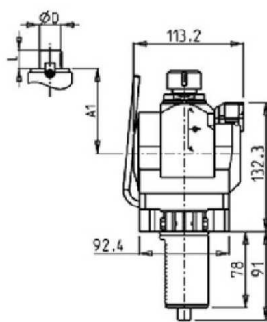
PartNumber	Description	VDI	Spindle	I	RPM	Ext Cool	A	A1	D	L
DUP0500120	0-180° Adj. Angle ER20 VDI50	RH	ER20	1:1	4000	X	85.16			
DUP0501120	0-180° Adj. Angle ER20 VDI50	LH	ER20	1:1	4000	X	85.16			
DUP0500125	0-180° Adj. Angle ER25 VDI50	RH	ER25	1:1	4000	X	86.16			
DUP0501125	0-180° Adj. Angle ER25 VDI50	LH	ER25	1:1	4000	X	86.16			
DUP0500519	0-180° Adj. Angle 3/4"x3/4" VDI50	RH	3/4"x3/4"	1:1	4000	X		65	3/4"	3/4"
DUP0501519	0-180° Adj. Angle 3/4"x3/4" VDI50	LH	3/4"x3/4"	1:1	4000	X		65	3/4"	3/4"
DUP0500516	0-180° Adj. Angle Ø16x17mm VDI50	RH	Ø16x17	1:1	4000	X		65	16	17
DUP0501516	0-180° Adj. Angle Ø16x17mm VDI50	LH	Ø16x17	1:1	4000	X		65	16	17
DUP0500522	0-180° Adj. Angle Ø22x19mm VDI50	RH	Ø22x19	1:1	4000	X		66	22	19
DUP0501522	0-180° Adj. Angle Ø22x19mm VDI50	LH	Ø22x19	1:1	4000	X		66	22	19

Note : Wrenches are provided with the purchase of Specialty Toolholders

VDI50

DRIVEN

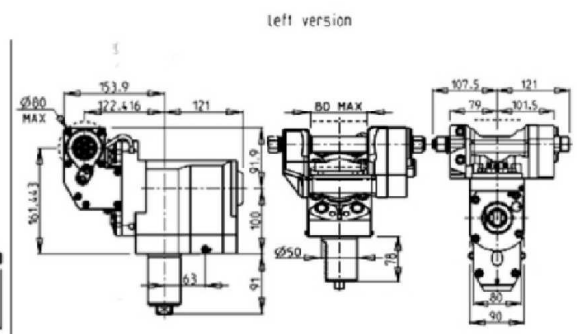
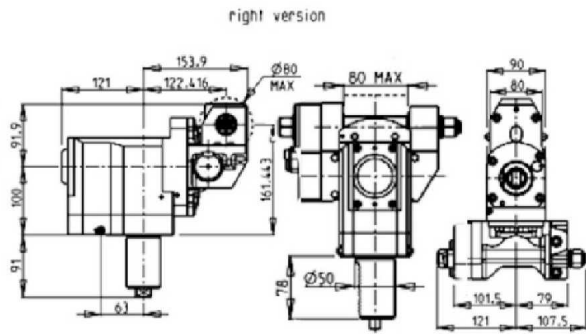
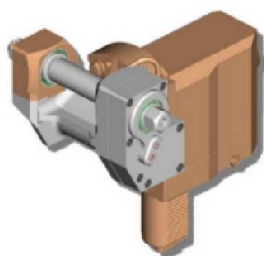
0-180° ADJUSTABLE ANGLE DRIVEN TOOL WITH DIGITAL DISPLAY VDI50



PartNumber	Description	VDI	Spindle	I	RPM	Ext Cool	A	A1	D	L
DUP0460120	0-180° Adj. Angle ER20 with Digital Display VDI50	RH	ER20	1:1	4000	X	85.16			
DUP0461120	0-180° Adj. Angle ER20 with Digital Display VDI50	LH	ER20	1:1	4000	X	85.16			
DUP0460125	0-180° Adj. Angle ER25 with Digital Display VDI50	RH	ER25	1:1	4000	X	86.16			
DUP0461125	0-180° Adj. Angle ER25 with Digital Display VDI50	LH	ER25	1:1	4000	X	86.16			
DUP0460519	0-180° Adj. Angle 3/4"x3/4" with Digital Display VDI50	RH	3/4"x3/4"	1:1	4000	X		65	3/4"	3/4"
DUP0461519	0-180° Adj. Angle 3/4"x3/4" with Digital Display VDI50	LH	3/4"x3/4"	1:1	4000	X		65	3/4"	3/4"
DUP0460516	0-180° Adj. Angle $\varnothing 16 \times 17$ with Digital Display VDI50	RH	$\varnothing 16 \times 17$	1:1	4000	X		65	16	17
DUP0461516	0-180° Adj. Angle $\varnothing 16 \times 17$ with Digital Display VDI50	LH	$\varnothing 16 \times 17$	1:1	4000	X		65	16	17
DUP0460522	0-180° Adj. Angle $\varnothing 22 \times 19$ with Digital Display VDI50	RH	$\varnothing 22 \times 19$	1:1	4000	X		66	22	19
DUP0461522	0-180° Adj. Angle $\varnothing 22 \times 19$ with Digital Display VDI50	LH	$\varnothing 22 \times 19$	1:1	4000	X		66	22	19

Note : Wrenches are provided with the purchase of Specialty Toolholders

DRIVEN GEAR HOBBER VDI50



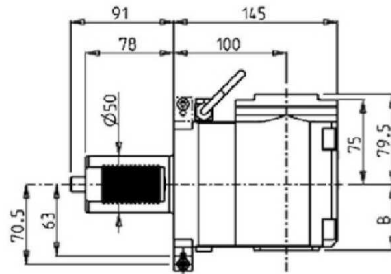
PartNumber	Description	VDI	I	RPM	Ext Cool	D (Inch)	D (mm)
156DUP_PCR_50A00	Driven Gear Hobber VDI50 1:1	RH	1:1	4000	X	3/4"-1"-1 1/4"	16-22-27-32
156DUP_PCR_50A10	Driven Gear Hobber VDI50 1:1	LH	1:1	4000	X	3/4"-1"-1 1/4"	16-22-27-32
156DUP_PCR_50A01	Driven Gear Hobber VDI50 Geared-Down 2:1	RH	2:1	2000	X	3/4"-1"-1 1/4"	16-22-27-32
156DUP_PCR_50A11	Driven Gear Hobber VDI50 Geared-Down 2:1	LH	2:1	2000	X	3/4"-1"-1 1/4"	16-22-27-32

Note : Wrenches are provided with the purchase of Specialty Toolholders

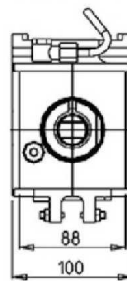
VDI50

CAPTO DRIVEN

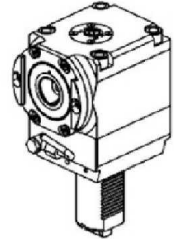
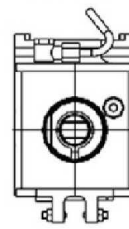
RADIAL DRIVEN TOOL CAPTO C4 VDI50



right version
version rechts



left version
version links



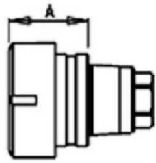
PartNumber	Description	VDI	Size	I	RPM	Cool Thru	Ext Cool	B
DUP0550140	Radial Driven Capto C4 VDI50	RH	C4	1:1	4000		X	58
DUP0551140	Radial Driven Capto C4 VDI50	LH	C4	1:1	4000		X	58
DUP0550240	Radial Driven Capto C4 VDI50 Cool Thru*	RH	C4	1:1	4000	X	X	66.5
DUP0551240	Radial Driven Capto C4 VDI50 Cool Thru*	LH	C4	1:1	4000	X	X	66.5

* Coolant Thru tools are designed for 1000 psi.
They require 5 Micron Filtration and **CANNOT** be run dry.

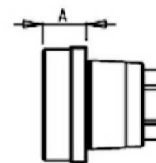
ACCESSORIES

DRIVEN

MTSK-32 ER ADAPTORS



Cod. MT	Mandrino Spindle Spindel	A
MTSK32A03	ER25	31.7



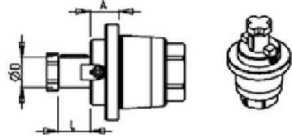
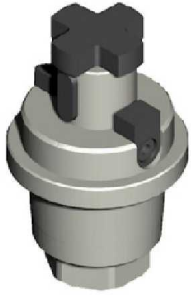
Cod. MT	Mandrino Spindle Spindel	A
MTSK32B03	ERA20	19
MTSK32B04	ERA16	13

PartNumber	Description	Spindle	A
MTSK32B04	MTSK-32 Adaptor ERA16	ERA16	13
MTSK32B03	MTSK-32 Adaptor ERA20	ERA20	19
MTSK32A03	MTSK-32 Adaptor ER25	ER25	31.7

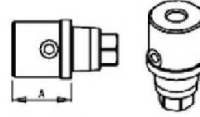
ACCESSORIES

DRIVEN

MTSK-32 MILL ADAPTORS



Cod. MT	Manilino Spindle	Misure Dimensioni Masse	A	D	L
MTSK32C02	Ø16x17	mm	14	16	17



Cod. MT	Manilino Spindle	A
MTSK32D01	WELDON 6	8
MTSK32D02	WELDON 8	10
MTSK32D03	WELDON 10	32
MTSK32D04	WELDON 12	34.5

Cod. MT	Tappo di protezione Cover Plug
MTSK32T00	Abdeckstopfen

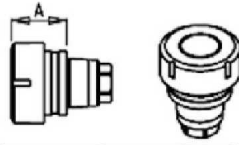


PartNumber	Description	Spindle	Dimensions	A	D	L
MTSK32C02	MTSK-32 Adaptor Mill Ø16x17	Ø16x17	mm	14	16	17
MTSK32D01	MTSK-32 Adaptor Mill Weldon 6	Weldon 6		8		
MTSK32D02	MTSK-32 Adaptor Mill Weldon 8	Weldon 8		10		
MTSK32D03	MTSK-32 Adaptor Mill Weldon 10	Weldon 10		32		
MTSK32D04	MTSK-32 Adaptor Mill Weldon 12	Weldon 12		34.5		
MTSK32T00	MTSK-32 Cover Plug					

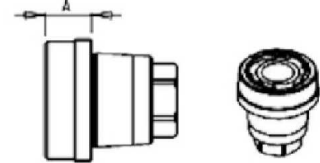
ACCESSORIES

DRIVEN

MTSK-40 ER ADAPTORS



Cod. MT	Mandrino Spindle	A
MTSK40A02	ER32	35.6
MTSK40A03	ER25	32.6
MTSK40A05	ER16	30.26
MTSK40A06	ER16	47.5
MTSK40A07	ER16	59
MTSK40A08	ER11	40
MTSK40A09	ER11	70



Cod. MT	Mandrino Spindle	A
MTSK40B02	ERA25	16
MTSK40B03	ERA20	14

PartNumber	Description	Spindle	A
MTSK40A08	MTSK-40 Adaptor ER11	ER11	40
MTSK40A09	MTSK-40 Adaptor ER11	ER11	70
MTSK40A05	MTSK-40 Adaptor ER16	ER16	30.26
MTSK40A06	MTSK-40 Adaptor ER16	ER16	47.5
MTSK40A07	MTSK-40 Adaptor ER16	ER16	59
MTSK40B03	MTSK-40 Adaptor ERA20	ERA20	14
MTSK40A03	MTSK-40 Adaptor ER25	ER25	32.6
MTSK40B02	MTSK-40 Adaptor ERA25	ERA25	16
MTSK40A02	MTSK-40 Adaptor ER32	ER32	35.6

ACCESSORIES

DRIVEN

MTSK-40 MILL ADAPTORS



Cod. MT	Handline Spindle Spindel	A
MTSK40D01	WELDON 6	8
MTSK40D21	WELDON 6	27.5
MTSK40D02	WELDON 8	8
MTSK40D03	WELDON 10	9
MTSK40D04	WELDON 12	14
MTSK40D05	WELDON 16	39.5
MTSK40D07	WELDON 20	39.5
MTSK40D24	WELDON 10	33
MTSK40D25	WELDON 12	35.5

Cod. MT	Handline Spindle Spindel	A
MTSK40G03	MR25	33.6

Cod. MT	Handline Spindle Spindel	Handline Spindle Spindel	A	D	L
MTSK40D02	Ø16x17	inch	15	16	17
MTSK40D03	Ø22x19	inch	17	22	19
MTSK40D04	Ø27x21	inch	22	27	21

Cod. MT	Handline Spindle Spindel	A
MTSK40D11	WELDON 1/4"	8
MTSK40D12	WELDON 5/16"	8
MTSK40D13	WELDON 3/8"	9
MTSK40D14	WELDON 1/2"	14

Cod. MT	Handline Spindle Spindel	A
MTSK40H01	MORSE-1	29
MTSK40H02	MORSE-2	42

Cod. MT	Handline Spindle Spindel	Handline Spindle Spindel	A	D	L
MTSK40T00	Ø 1/2"	inch	32	1/2"	6.5

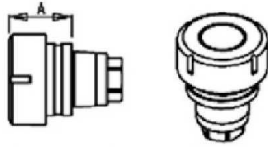
Cod. MT	Handline Spindle Spindel	A
MTSK40T00	Cover Plug Adattatore	

PartNumber	Description	Spindle	Dimension	A	D	L
MTSK40C03	MTSK-40 Adaptor Mill 3/4"	3/4"x3/4"	Inch	15.5	3/4"	3/4"
MTSK40C02	MTSK-40 Adaptor Mill Ø16x17	Ø16x17	mm	15	16	17
MTSK40C04	MTSK-40 Adaptor Mill Ø22x19	Ø22x19	mm	17	22	19
MTSK40C05	MTSK-40 Adaptor Mill Ø27x21	Ø27x21	mm	22	27	21
MTSK40F01	MTSK-40 Adaptor Mill 1/2"	1/2" Arbor	Inch	32	1/2"	6.5
MTSK40D11	MTSK-40 Adaptor Mill Weldon 1/4"	Weldon 1/4"		8		
MTSK40D12	MTSK-40 Adaptor Mill Weldon 5/16"	Weldon 5/16"		8		
MTSK40D13	MTSK-40 Adaptor Mill Weldon 3/8"	Weldon 3/8"		9		
MTSK40D14	MTSK-40 Adaptor Mill Weldon 1/2"	Weldon 1/2"		14		
MTSK40D01	MTSK-40 Adaptor Mill Weldon 6	Weldon 6		8		
MTSK40D21	MTSK-40 Adaptor Mill Weldon 6	Weldon 6		27.5		
MTSK40D02	MTSK-40 Adaptor Mill Weldon 8	Weldon 8		8		
MTSK40D03	MTSK-40 Adaptor Mill Weldon 10	Weldon 10		9		
MTSK40D24	MTSK-40 Adaptor Mill Weldon 10	Weldon 10		33		
MTSK40D04	MTSK-40 Adaptor Mill Weldon 12	Weldon 12		14		
MTSK40D25	MTSK-40 Adaptor Mill Weldon 12	Weldon 12		35.5		
MTSK40D06	MTSK-40 Adaptor Mill Weldon 16	Weldon 16		39.5		
MTSK40D07	MTSK-40 Adaptor Mill Weldon 20	Weldon 20		39.5		
MTSK40H01	MTSK-40 Adaptor Morse 1	MORSE-1		29		
MTSK40H02	MTSK-40 Adaptor Morse 2	MORSE-2		42		
MTSK40G03	MTSK-40 Adaptor MR25	MR25		33.6		
MTSK40T00	MTSK-40 Cover Plug					

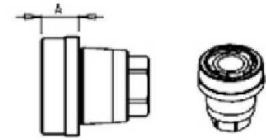
ACCESSORIES

DRIVEN

MTSK-50 ER ADAPTORS



Cod. MT	Mandrino Spindel	A
MTSK50A01	ER40	46.6
MTSK50A02	ER32	35.6
MTSK50A03	ER25	32.6
MTSK50A05	ER16	30.3



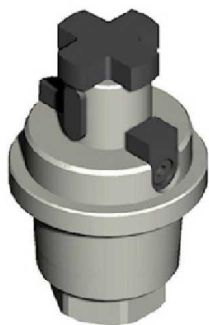
Cod. MT	Mandrino Spindel	A
MTSK50B01	ERA32	19
MTSK50B02	ERA25	14
MTSK50B03	ERA20	9

PartNumber	Description	Spindle	A
MTSK50A05	MTSK-50 Adaptor ER16	ER16	30.3
MTSK50B03	MTSK-50 Adaptor ERA20	ERA20	9
MTSK50A03	MTSK-50 Adaptor ER25	ER25	32.6
MTSK50B02	MTSK-50 Adaptor ERA25	ERA25	14
MTSK50A02	MTSK-50 Adaptor ER32	ER32	35.6
MTSK50B01	MTSK-50 Adaptor ERA32	ERA32	19
MTSK50A01	MTSK-50 Adaptor ER40	ER40	46.6

ACCESSORIES

DRIVEN

MTSK-50 MILL ADAPTORS



Cod. MT	Nominale Spindle	Measure Dimensions	A	D	L
MTSK50C02	Ø16x17	mm	15	16	17
MTSK50C03	Ø 3/4" x3/4"	inch	15.5	3/4"	3/4"
MTSK50C04	Ø22x19	mm	17	22	19
MTSK50C05	Ø1" x3/4"	inch	19	1"	3/4"
MTSK50C06	Ø27x21	mm	19	27	21
MTSK50C07	Ø32x24	mm	24	32	24

Cod. MT	Nominale Spindle	A
MTSK50D11	WELDON 1/4"	8
MTSK50D12	WELDON 5/16"	8
MTSK50D13	WELDON 3/8"	8
MTSK50D14	WELDON 1/2"	9
MTSK50D15	WELDON 5/8"	12
MTSK50D01	WELDON 6	8
MTSK50D02	WELDON 8	8
MTSK50D03	WELDON 10	8
MTSK50D04	WELDON 12	9
MTSK50D05	WELDON 16	12
MTSK50D07	WELDON 20	40
MTSK50D08	WELDON 25	44

Cod. MT	Nominale Spindle	A
MTSK50D01	WELDON 6	8
MTSK50D02	WELDON 8	8
MTSK50D03	WELDON 10	8
MTSK50D04	WELDON 12	9
MTSK50D05	WELDON 16	12
MTSK50D07	WELDON 20	40
MTSK50D08	WELDON 25	44

Cod. MT	Nominale Spindle	A
MTSK50E01	POWRGRIP® PG25	40

Cod. MT	Toppe di protezione
MTSK50T00	Cover Plug

PartNumber	Description	Spindle	Dimension	A	D	L
MTSK50C03	MTSK-50 Adaptor Mill 3/4"	3/4"x3/4"	Inch	15.5	3/4"	3/4"
MTSK50C05	MTSK-50 Adaptor Mill 1"x3/4"	1"x3/4"	Inch	19	1"	3/4"
MTSK50C02	MTSK-50 Adaptor Mill Ø16x17	Ø16x17	mm	15	16	17
MTSK50C04	MTSK-50 Adaptor Mill Ø22x19	Ø22x19	mm	17	22	19
MTSK50C06	MTSK-50 Adaptor Mill Ø27x21	Ø27x21	mm	19	27	21
MTSK50C07	MTSK-50 Adaptor Mill Ø32x24	Ø32x24	mm	24	32	24
MTSK50D11	MTSK-50 Adaptor Mill Weldon 1/4"	Weldon 1/4"		8		
MTSK50D12	MTSK-50 Adaptor Mill Weldon 5/16"	Weldon 5/16"		8		
MTSK50D13	MTSK-50 Adaptor Mill Weldon 3/8"	Weldon 3/8"		8		
MTSK50D14	MTSK-50 Adaptor Mill Weldon 1/2"	Weldon 1/2"		9		
MTSK50D15	MTSK-50 Adaptor Mill Weldon 5/8"	Weldon 5/8"		12		
MTSK50D01	MTSK-50 Adaptor Mill Weldon 6	Weldon 6		8		
MTSK50D02	MTSK-50 Adaptor Mill Weldon 8	Weldon 8		8		
MTSK50D03	MTSK-50 Adaptor Mill Weldon 10	Weldon 10		8		
MTSK50D04	MTSK-50 Adaptor Mill Weldon 12	Weldon 12		9		
MTSK50D05	MTSK-50 Adaptor Mill Weldon 16	Weldon 16		12		
MTSK50D07	MTSK-50 Adaptor Mill Weldon 20	Weldon 20		40		
MTSK50D08	MTSK-50 Adaptor Mill Weldon 25	Weldon 25		44		
MTSK50E01	MTSK-50 Adaptor POWRGRIP PG25	POWRGRIP PG25		40		
MTSK50T00	MTSK-50 Cover Plug					

ER COLLETS

ER COLLET NUMBER	DESCRIPTION	MD LIST PRICE
ER20 SET	ER20 Collet Set (15 Collets)	\$ 330.00
ERX20 SET	ER20 Sealed Collet Set (13 Collets)	\$ 395.00
ER25 SET	ER25 Collet Set (19 Collets)	\$ 375.00
ERX25 SET	ER25 Sealed Collet Set (17 Collets)	\$ 475.00
ER32 SET	ER32 Collet Set (21 Collets)	\$ 425.00
ERX32 SET	ER32 Sealed Collet Set (21 Collets)	\$ 595.00
ER40 SET	ER40 Collet Set (29 Collets)	\$ 695.00
ERX40 SET	ER40 Sealed Collet Set (27 Collets)	\$ 850.00



Phone: (810) 632-4446 / Fax: (810) 632-4467

Table of Contents

Alphabetized Listing

0		
	0-180° ADJUSTABLE ANGLE DRIVEN TOOL VDI30	9
	0-180° ADJUSTABLE ANGLE DRIVEN TOOL VDI40	17
	0-180° ADJUSTABLE ANGLE DRIVEN TOOL VDI50	24
	0-180° ADJUSTABLE ANGLE DRIVEN TOOL WITH DIGITAL DISPLAY VDI40	18
	0-180° ADJUSTABLE ANGLE DRIVEN TOOL WITH DIGITAL DISPLAY VDI50	25
A		
	ACCESSORIES	27-32
	AXIAL DRIVEN TOOL REDIRECTED BY 36mm VDI30	1
	AXIAL DRIVEN TOOL REDIRECTED BY 42mm VDI40	16
	AXIAL DRIVEN TOOL REDIRECTED BY 60mm VDI50	23
	AXIAL DRIVEN TOOL VDI30	1
	AXIAL DRIVEN TOOL VDI40	15
	AXIAL DRIVEN TOOL VDI50	22
	AXIAL GEARED-DOWN 2:1 DRIVEN TOOL REDIRECTED BY 36mm VDI30	2
	AXIAL GEARED-DOWN 2:1 DRIVEN TOOL REDIRECTED BY 42mm VDI40	16
	AXIAL GEARED-DOWN 2:1 DRIVEN TOOL REDIRECTED BY 50mm VDI50	23
	AXIAL GEARED-UP 1:2 DRIVEN TOOL REDIRECTED BY 36mm VDI30	2
	AXIAL GEARED-UP 1:2 DRIVEN TOOL REDIRECTED BY 42mm VDI40	17
	AXIAL GEARED-UP 1:2 DRIVEN TOOL REDIRECTED BY 50mm VDI50	24
B		
	BROACHING/SLOTING DRIVEN TOOL 25mm STROKE VDI40	19
	BROACHING/SLOTING DRIVEN TOOL 50mm STROKE VDI40	19
C		
	CAPTO DRIVEN	26
D		
	DRIVEN	1-25, 27-32
	DRIVEN GEAR HOBBER VDI50	25
M		
	MTSK-32 ER ADAPTORS	27
	MTSK-32 MILL ADAPTORS	28
	MTSK-40 ER ADAPTORS	29
	MTSK-40 MILL ADAPTORS	30
	MTSK-50 ER ADAPTORS	31
	MTSK-50 MILL ADAPTORS	32
Q		
	QUICK CHANGE AXIAL MTSK DRIVEN TOOL VDI40	15
	QUICK CHANGE AXIAL MTSK DRIVEN TOOL VDI50	22
	QUICK CHANGE RADIAL MTSK DRIVEN TOOL VDI40	11
	QUICK CHANGE RADIAL MTSK DRIVEN TOOL VDI50	21
	QUICK CHANGE RADIAL MTSK REAR-SET DRIVEN TOOL VDI30 H=75mm	6
	QUICK CHANGE RADIAL MTSK REAR-SET DRIVEN TOOL VDI30 H=85mm	8
	QUICK CHANGE RADIAL MTSK REAR-SET DRIVEN TOOL VDI40 H=100mm	12
R		
	RADIAL 4 HEAD DRIVEN TOOL VDI50	21
	RADIAL DRIVEN TOOL CAPTO C4 VDI50	26
	RADIAL DRIVEN TOOL VDI30 H=100mm	4
	RADIAL DRIVEN TOOL VDI30 H=85mm	3
	RADIAL DRIVEN TOOL VDI40	10
	RADIAL DRIVEN TOOL VDI50	20
	RADIAL DRIVEN TOOL VDI50	20
	RADIAL GEARED-UP 1:2 DRIVEN TOOL VDI40	13
	RADIAL GEARED-UP 1:3 DRIVEN TOOL VDI40	13
	RADIAL OPPOSITE FACE TWIN DRIVEN TOOL VDI30 H=75mm	8
	RADIAL OPPOSITE FACE TWIN DRIVEN TOOL VDI40	14
	RADIAL REAR-SET DRIVEN TOOL VDI30 H=75mm	5
	RADIAL REAR-SET DRIVEN TOOL VDI30 H=85mm	7
	RADIAL REAR-SET DRIVEN TOOL VDI40 H=100mm	12
	RADIAL REAR-SET DRIVEN TOOL VDI40 H=85mm	11
S		
	See Accessories for MTSK Clamping Units	6, 8, 11-12, 15, 21-22
V		
	VDI30	1-9

Table of Contents

Alphabetized Listing

V

VDI40
VDI50

10-19
20-26

Table of Contents

Part Number Index

0			DUP0090325	Radial Rear-Set ERA25 VDI30	5
0240025X4_105	Radial ER25 4-Head VDI50	21	DUP0090420	Radial Rear-Set ERA20 VDI30 Cool Thru*	5
0240025X4_90	Radial ER25 4-Head VDI50	21	DUP0090425	Radial Rear-Set ERA25 VDI30 Cool Thru*	5
1			DUP0090516	Radial Rear-Set Weldon16 VDI30	5
141DUP_R32_40A00	Radial Rear-Set ER32 VDI40	11	DUP0091120	Radial Rear-Set ER20 VDI30	5
141DUP_R32_40A01	Radial Rear-Set ER32 VDI40	11	DUP0091125	Radial Rear-Set ER25 VDI30	5
141DUP_R32_40A20	Radial Rear-Set ER32 VDI40	11	DUP0091220	Radial Rear-Set ER20 VDI30 Cool Thru*	5
141DUP_R32_40A21	Radial Rear-Set ER32 VDI40	11	DUP0091225	Radial Rear-Set ER25 VDI30 Cool Thru*	5
142DUP_A32_40A00	Axial ER32 VDI40	15	DUP0091320	Radial Rear-Set ERA20 VDI30	5
142DUP_A32_40A01	Axial ER32 VDI40	15	DUP0091325	Radial Rear-Set ERA25 VDI30	5
145DUP_A32_40A00	Axial Redirected ER32 VDI40	16	DUP0091420	Radial Rear-Set ERA20 VDI30 Cool Thru*	5
145DUP_A32_40A10	Axial Redirected ER32 VDI40 Cool Thru*	16	DUP0091425	Radial Rear-Set ERA25 VDI30 Cool Thru*	5
145DUP_A32_40A20	Axial Geared-Down 2:1 ER32 VDI40	16	DUP0091516	Radial Rear-Set Weldon16 VDI30	5
145DUP_A32_40A30	Axial Geared-Down 2:1 ER32 VDI40 Cool Thru*	16	DUP0100120	Radial Rear-Set ER20 VDI30	7
151DUP_R40_50A00	Radial ER40 VDI50	20	DUP0100125	Radial Rear-Set ER25 VDI30	7
151DUP_R40_50A20	Radial ER40 VDI50	20	DUP0100220	Radial Rear-Set ER20 VDI30 Cool Thru*	7
155DUP_A40_50A00	Axial Redirected by 60mm ER40 VDI50	23	DUP0100225	Radial Rear-Set ER25 VDI30 Cool Thru*	7
155DUP_A40_50A20	Axial Redirected by 60mm ER40 VDI50	23	DUP0100320	Radial Rear-Set ERA20 VDI30	7
156DUP_PCR_50A00	Driven Gear Hobber VDI50 1:1	25	DUP0100325	Radial Rear-Set ERA25 VDI30	7
156DUP_PCR_50A01	Driven Gear Hobber VDI50 Geared-Down 2:1	25	DUP0100420	Radial Rear-Set ERA20 VDI30 Cool Thru*	7
156DUP_PCR_50A10	Driven Gear Hobber VDI50 1:1	25	DUP0100425	Radial Rear-Set ERA25 VDI30 Cool Thru*	7
156DUP_PCR_50A11	Driven Gear Hobber VDI50 Geared-Down 2:1	25	DUP0100516	Radial Rear-Set Weldon16 VDI30	7
D			DUP0101120	Radial Rear-Set ER20 VDI30	7
DUP0020140	Axial ERA40 VDI50	22	DUP0101125	Radial Rear-Set ER25 VDI30	7
DUP0020240	Axial ERA40 VDI50 Cool Thru *	22	DUP0101220	Radial Rear-Set ER20 VDI30 Cool Thru*	7
DUP0040132	Radial ER32 VDI40	10	DUP0101225	Radial Rear-Set ER25 VDI30 Cool Thru*	7
DUP0040140	Radial ER40 VDI40	10	DUP0101320	Radial Rear-Set ERA20 VDI30	7
DUP0040232	Radial ER32 VDI40 Cool Thru*	10	DUP0101325	Radial Rear-Set ERA25 VDI30	7
DUP0040240	Radial ER40 VDI40 Cool Thru*	10	DUP0101420	Radial Rear-Set ERA20 VDI30 Cool Thru*	7
DUP0042219	Radial Mill Head Ø22x19mm VDI40	10	DUP0101425	Radial Rear-Set ERA25 VDI30 Cool Thru*	7
DUP0042721	Radial Mill Head Ø27x21mm VDI40	10	DUP0101516	Radial Rear-Set Weldon16 VDI30	7
DUP0043132	Radial ER32 VDI40	10	DUP0110332	Radial Geared-Up 1:2 ERA32 VDI40	13
DUP0043140	Radial ER40 VDI40	10	DUP0110432	Radial Geared-Up 1:2 ERA32 VDI40 Cool Thru*	13
DUP0043219	Radial Mill Head Ø22x19mm VDI40	10	DUP0130140	Radial MTSK-40 VDI40	11
DUP0043232	Radial ER32 VDI40 Cool Thru*	10	DUP0130240	Radial MTSK-40 VDI40 Cool Thru*	11
DUP0043240	Radial ER40 VDI40 Cool Thru*	10	DUP0133140	Radial MTSK-40 VDI40	11
DUP0043721	Radial Mill Head Ø27x21mm VDI40	10	DUP0133240	Radial MTSK-40 VDI40 Cool Thru*	11
DUP0070120	Axial ER20 VDI30	1	DUP0156132	Axial Geared-Up 1:2 ERA32 VDI40	17
DUP0070125	Axial ER25 VDI30	1	DUP0156232	Axial Geared-Up 1:2 ERA32 VDI40 Cool Thru*	17
DUP0080125	Radial ER25 VDI30	3	DUP0157132	Axial Geared-Up 1:2 ERA32 VDI40	17
DUP0080225	Radial ER25 VDI30 Cool Thru*	3	DUP0157232	Axial Geared-Up 1:2 ERA32 VDI40 Cool Thru*	17
DUP0080316	Radial Weldon16 VDI30	3	DUP0200140	Radial ER40 VDI50	20
DUP0080416	Radial Mill Head Ø16x17mm VDI30	3	DUP0200240	Radial ER40 VDI50 Cool Thru*	20
DUP0080422	Radial Mill Head Ø22x19mm VDI30	3	DUP0201140	Radial ER40 VDI50	20
DUP0081125	Radial ER25 VDI30	3	DUP0201240	Radial ER40 VDI50 Cool Thru*	20
DUP0081225	Radial ER25 VDI30 Cool Thru*	3	DUP0210150	Radial MTSK-50 VDI50	21
DUP0081316	Radial Weldon16 VDI30	3	DUP0210250	Radial MTSK-50 VDI50 Cool Thru*	21
DUP0081416	Radial Mill Head Ø16x17mm VDI30	3			
DUP0081422	Radial Mill Head Ø22x19mm VDI30	3			
DUP0090120	Radial Rear-Set ER20 VDI30	5			
DUP0090125	Radial Rear-Set ER25 VDI30	5			
DUP0090220	Radial Rear-Set ER20 VDI30 Cool Thru*	5			
DUP0090225	Radial Rear-Set ER25 VDI30 Cool Thru*	5			
DUP0090320	Radial Rear-Set ERA20 VDI30	5			

Table of Contents

Part Number Index

DUP0211150	Radial MTSK-50 VDI50	21		Cool Thru*	
DUP0211250	Radial MTSK-50 VDI50 Cool Thru*	21	DUP0431140	Radial Rear-Set MTSK-40 VDI40	12
DUP0220125	Radial Rear-Set ER25 VDI40	12	DUP0431240	Radial Rear-Set MTSK-40 VDI40 Cool Thru*	12
DUP0220132	Radial Rear-Set ER32 VDI40	12			
DUP0220225	Radial Rear-Set ER25 VDI40 Cool Thru*	12	DUP0440100	Broaching/Slotting Driven Tool 50mm Stroke VDI40	19
DUP0220232	Radial Rear-Set ER32 VDI40 Cool Thru*	12	DUP0440200	Broaching/Slotting Driven Tool 25mm Stroke VDI40	19
DUP0221125	Radial Rear-Set ER25 VDI40	12	DUP0441100	Broaching/Slotting Driven Tool 50mm Stroke VDI40	19
DUP0221132	Radial Rear-Set ER32 VDI40	12	DUP0441200	Broaching/Slotting Driven Tool 25mm Stroke VDI40	19
DUP0221225	Radial Rear-Set ER25 VDI40 Cool Thru*	12	DUP0450120	0-180° Adj. Angle ER20 with Digital Display VDI40	18
DUP0221232	Radial Rear-Set ER32 VDI40 Cool Thru*	12	DUP0450125	0-180° Adj. Angle ER25 with Digital Display VDI40	18
DUP0230116	0-180° Adj. Angle ERA16 VDI30	9	DUP0450516	0-180° Adj. Angle Ø16x17 with Digital Display VDI40	18
DUP0230216	0-180° Adj. Angle ERA16 VDI30 Cool Thru*	9	DUP0450519	0-180° Adj. Angle 3/4"x3/4" with Digital Display VDI40	18
DUP0231116	0-180° Adj. Angle ERA16 VDI30	9	DUP0450522	0-180° Adj. Angle Ø22x19 with Digital Display VDI40	18
DUP0231216	0-180° Adj. Angle ERA16 VDI30 Cool Thru*	9	DUP0451120	0-180° Adj. Angle ER20 with Digital Display VDI40	18
DUP0240225	Radial Opposite Face ER25+ER25 VDI40	14	DUP0451125	0-180° Adj. Angle ER25 with Digital Display VDI40	18
DUP0240232	Radial Opposite Face ER32+ER32 VDI40	14	DUP0451516	0-180° Adj. Angle Ø16x17 with Digital Display VDI40	18
DUP0270125	Axial ER25 Redirected by 36mm VDI30	1	DUP0451519	0-180° Adj. Angle 3/4"x3/4" with Digital Display VDI40	18
DUP0270225	Axial Geared-Up 1:2 ER25 VDI30	2	DUP0451522	0-180° Adj. Angle Ø22x19 with Digital Display VDI40	18
DUP0270325	Axial Geared-Down 2:1 ER25 VDI30	2	DUP0460120	0-180° Adj. Angle ER20 with Digital Display VDI50	25
DUP0270522	Axial Ø22x19 Redirected by 36mm VDI30	1	DUP0460125	0-180° Adj. Angle ER25 with Digital Display VDI50	25
DUP0270722	Axial Geared-Down 2:1 Ø22x19 VDI30	2	DUP0460516	0-180° Adj. Angle Ø16x17 with Digital Display VDI50	25
DUP0271125	Axial ER25 Redirected by 36mm VDI30	1	DUP0460519	0-180° Adj. Angle 3/4"x3/4" with Digital Display VDI50	25
DUP0271225	Axial Geared-Up 1:2 ER25 VDI30	2	DUP0460522	0-180° Adj. Angle Ø22x19 with Digital Display VDI50	25
DUP0271325	Axial Geared-Down 2:1 ER25 VDI30	2	DUP0461120	0-180° Adj. Angle ER20 with Digital Display VDI50	25
DUP0271522	Axial Ø22x19 Redirected by 36mm VDI30	1	DUP0461125	0-180° Adj. Angle ER25 with Digital Display VDI50	25
DUP0271722	Axial Geared-Down 2:1 Ø22x19 VDI30	2	DUP0461516	0-180° Adj. Angle Ø16x17 with Digital Display VDI50	25
DUP0330220	Radial Opposite Face ER20-ER20 VDI30	8	DUP0461519	0-180° Adj. Angle 3/4"x3/4" with Digital Display VDI50	25
DUP0330225	Radial Opposite Face ER25-ER25 VDI30	8	DUP0461522	0-180° Adj. Angle Ø22x19 with Digital Display VDI50	25
DUP0331220	Radial Opposite Face ER20-ER20 VDI30	8	DUP0470150	Axial MTSK-50 VDI50	22
DUP0331225	Radial Opposite Face ER25-ER25 VDI30	8	DUP0490120	0-180° Adj. Angle ER20 VDI40	17
DUP0360016	Radial Geared-Up 1:3 ER16 VDI40	13	DUP0490125	0-180° Adj. Angle ER25 VDI40	17
DUP0363016	Radial Geared-Up 1:3 ER16 VDI40	13	DUP0490516	0-180° Adj. Angle Ø16x17mm VDI40	17
DUP0400132	Radial Rear-Set MTSK-32 VDI30	6	DUP0490519	0-180° Adj. Angle 3/4"x3/4" VDI40	17
DUP0400232	Radial Rear-Set MTSK-32 VDI30 Cool Thru*	6	DUP0490522	0-180° Adj. Angle Ø22x19mm VDI40	17
DUP0401132	Radial Rear-Set MTSK-32 VDI30	6	DUP0491120	0-180° Adj. Angle ER20 VDI40	17
DUP0401232	Radial Rear-Set MTSK-32 VDI30 Cool Thru*	6	DUP0491125	0-180° Adj. Angle ER25 VDI40	17
DUP0410132	Radial Rear-Set MTSK-32 VDI30	8	DUP0491516	0-180° Adj. Angle Ø16x17mm VDI40	17
DUP0410232	Radial Rear-Set MTSK-32 VDI30 Cool Thru*	8	DUP0491519	0-180° Adj. Angle 3/4"x3/4" VDI40	17
DUP0411132	Radial Rear-Set MTSK-32 VDI30	8	DUP0491522	0-180° Adj. Angle Ø22x19mm	17
DUP0411232	Radial Rear-Set MTSK-32 VDI30 Cool Thru*	8			
DUP0430140	Radial Rear-Set MTSK-40 VDI40	12			
DUP0430240	Radial Rear-Set MTSK-40 VDI40	12			

Table of Contents

Part Number Index

	VDI40		MTSK40C03	MTSK-40 Adaptor Mill 3/4"	30
DUP0500120	0-180° Adj. Angle ER20 VDI50	24	MTSK40C04	MTSK-40 Adaptor Mill Ø22x19	30
DUP0500125	0-180° Adj. Angle ER25 VDI50	24	MTSK40C05	MTSK-40 Adaptor Mill Ø27x21	30
DUP0500516	0-180° Adj. Angle Ø16x17mm VDI50	24	MTSK40D01	MTSK-40 Adaptor Mill Weldon 6	30
DUP0500519	0-180° Adj. Angle 3/4"x3/4" VDI50	24	MTSK40D02	MTSK-40 Adaptor Mill Weldon 8	30
DUP0500522	0-180° Adj. Angle Ø22x19mm VDI50	24	MTSK40D03	MTSK-40 Adaptor Mill Weldon 10	30
DUP0501120	0-180° Adj. Angle ER20 VDI50	24	MTSK40D04	MTSK-40 Adaptor Mill Weldon 12	30
DUP0501125	0-180° Adj. Angle ER25 VDI50	24	MTSK40D06	MTSK-40 Adaptor Mill Weldon 16	30
DUP0501516	0-180° Adj. Angle Ø16x17mm VDI50	24	MTSK40D07	MTSK-40 Adaptor Mill Weldon 20	30
DUP0501519	0-180° Adj. Angle 3/4"x3/4" VDI50	24	MTSK40D11	MTSK-40 Adaptor Mill Weldon 1/4"	30
DUP0501522	0-180° Adj. Angle Ø22x19mm VDI50	24	MTSK40D12	MTSK-40 Adaptor Mill Weldon 5/16"	30
DUP0510140	Axial MTSK-40 VDI40	15	MTSK40D13	MTSK-40 Adaptor Mill Weldon 3/8"	30
DUP0510240	Axial MTSK-40 VDI40 Cool Thru*	15	MTSK40D14	MTSK-40 Adaptor Mill Weldon 1/2"	30
DUP0522125	Radial ER25 VDI30	4	MTSK40D21	MTSK-40 Adaptor Mill Weldon 6	30
DUP0522225	Radial ER25 VDI30 Cool Thru*	4	MTSK40D24	MTSK-40 Adaptor Mill Weldon 10	30
DUP0522316	Radial Weldon16 VDI30	4	MTSK40D25	MTSK-40 Adaptor Mill Weldon 12	30
DUP0522416	Radial Mill Head Ø16x17 VDI30	4	MTSK40F01	MTSK-40 Adaptor Mill 1/2"	30
DUP0522422	Radial Mill Head Ø22x19 VDI30	4	MTSK40G03	MTSK-40 Adaptor MR25	30
DUP0543132	Axial Geared-Down 2:1 ERA32 VDI50	23	MTSK40H01	MTSK-40 Adaptor Morse 1	30
DUP0543232	Axial Geared-Down 2:1 ERA32 VDI50 Cool Thru*	23	MTSK40H02	MTSK-40 Adaptor Morse 2	30
DUP0544132	Axial Geared-Down 2:1 ERA32 VDI50	23	MTSK40T00	MTSK-40 Cover Plug	30
DUP0544232	Axial Geared-Down 2:1 ERA32 VDI50 Cool Thru*	23	MTSK50A01	MTSK-50 Adaptor ER40	31
DUP0546132	Axial Geared-Up 1:2 ERA32 VDI50	24	MTSK50A02	MTSK-50 Adaptor ER32	31
DUP0546232	Axial Geared-Up 1:2 ERA32 VDI50 Cool Thru*	24	MTSK50A03	MTSK-50 Adaptor ER25	31
DUP0547132	Axial Geared-Up 1:2 ERA32 VDI50	24	MTSK50A05	MTSK-50 Adaptor ER16	31
DUP0547232	Axial Geared-Up 1:2 ERA32 VDI50 Cool Thru*	24	MTSK50B01	MTSK-50 Adaptor ERA32	31
DUP0550140	Radial Driven Capto C4 VDI50	26	MTSK50B02	MTSK-50 Adaptor ERA25	31
DUP0550240	Radial Driven Capto C4 VDI50 Cool Thru*	26	MTSK50B03	MTSK-50 Adaptor ERA20	31
DUP0551140	Radial Driven Capto C4 VDI50	26	MTSK50C02	MTSK-50 Adaptor Mill Ø16x17	32
DUP0551240	Radial Driven Capto C4 VDI50 Cool Thru*	26	MTSK50C03	MTSK-50 Adaptor Mill 3/4"	32
DUP0560332	Axial ERA32 VDI40	15	MTSK50C04	MTSK-50 Adaptor Mill Ø22x19	32
DUP0570232	Axial ER32 VDI40 Cool Thru*	15	MTSK50C05	MTSK-50 Adaptor Mill 1"x3/4"	32
M			MTSK50C06	MTSK-50 Adaptor Mill Ø27x21	32
MTSK32A03	MTSK-32 Adaptor ER25	27	MTSK50C07	MTSK-50 Adaptor Mill Ø32x24	32
MTSK32B03	MTSK-32 Adaptor ERA20	27	MTSK50D01	MTSK-50 Adaptor Mill Weldon 6	32
MTSK32B04	MTSK-32 Adaptor ERA16	27	MTSK50D02	MTSK-50 Adaptor Mill Weldon 8	32
MTSK32C02	MTSK-32 Adaptor Mill Ø16x17	28	MTSK50D03	MTSK-50 Adaptor Mill Weldon 10	32
MTSK32D01	MTSK-32 Adaptor Mill Weldon 6	28	MTSK50D04	MTSK-50 Adaptor Mill Weldon 12	32
MTSK32D02	MTSK-32 Adaptor Mill Weldon 8	28	MTSK50D05	MTSK-50 Adaptor Mill Weldon 16	32
MTSK32D03	MTSK-32 Adaptor Mill Weldon 10	28	MTSK50D07	MTSK-50 Adaptor Mill Weldon 20	32
MTSK32D04	MTSK-32 Adaptor Mill Weldon 12	28	MTSK50D08	MTSK-50 Adaptor Mill Weldon 25	32
MTSK32T00	MTSK-32 Cover Plug	28	MTSK50D11	MTSK-50 Adaptor Mill Weldon 1/4"	32
MTSK40A02	MTSK-40 Adaptor ER32	29	MTSK50D12	MTSK-50 Adaptor Mill Weldon 5/16"	32
MTSK40A03	MTSK-40 Adaptor ER25	29	MTSK50D13	MTSK-50 Adaptor Mill Weldon 3/8"	32
MTSK40A05	MTSK-40 Adaptor ER16	29	MTSK50D14	MTSK-50 Adaptor Mill Weldon 1/2"	32
MTSK40A06	MTSK-40 Adaptor ER16	29	MTSK50D15	MTSK-50 Adaptor Mill Weldon 5/8"	32
MTSK40A07	MTSK-40 Adaptor ER16	29	MTSK50E01	MTSK-50 Adaptor POWRGRIP PG25	32
MTSK40A08	MTSK-40 Adaptor ER11	29	MTSK50T00	MTSK-50 Cover Plug	32
MTSK40A09	MTSK-40 Adaptor ER11	29			
MTSK40B02	MTSK-40 Adaptor ERA25	29			
MTSK40B03	MTSK-40 Adaptor ERA20	29			
MTSK40C02	MTSK-40 Adaptor Mill Ø16x17	30			