

DRIVEN and STATIC TOOLING

For

EMAG



10139 BERGIN RD.

HOWELL, MI 48843

PHONE : 877-91-TOOLS (810-632-4446)

FAX: 877-92-TOOLS (810-632-4467)

EMAIL: info@mdtooling.com

WEBSITE: www.mdtooling.com

Live Tooling



M. T. Marchetti, a major live tool manufacturer in northern Italy, is a leader in live tool technology. The formula is simple. Use only the best angular contact high-speed bearings available. Add to this an exacting tolerances for all ground shafts, gears and bearing pocket features. Next, develop a sealed system that **will not** allow any contamination from chips or coolant.

Top this all off with a superior design and you end up with a live tool that is more rigid, faster and will last longer. **We back this up with a 2-Year factory warranty.**

Our Live Tool Warranty

Our tooling will give years of service in the most demanding applications. The superior design and rugged construction has proven this over the last 12 years. The reliability of our tools allows us to provide a 2-year factory warranty, for non-wear components.

MD Tooling will repair any defective tool holders for a period of 2 years from the date of purchase.

Product Range

We have the largest range of live tooling available for most major machine tool manufactures.

Our available products include an extensive line of standard live tooling as well as specialty tool holders such as 0-180 adjustable angle tool holders, gear hobbors, and even worm gear generators. Our product range includes geared up holders to 60,000 RPM and are engineered for 1,000 PSI coolant through.

We are an industry leader in providing complete tooling solutions with hundreds of static tool options as well.

Technical Support

Here at MD Tooling we have a full technical support department with over 35 years of CNC experience.

Our highly qualified staff can help with part processing, tooling up a job from a blue print and even assist with part programming. Applications Engineers are always available by phone to answer any questions you may have about our tooling or any other CNC related issue.

Stock and Replenishment

MD Tooling maintains an extensive inventory of tooling in our warehouse in Michigan. Our current "fill" rate on orders is 93% from our stock in Michigan for same day shipping.

Should you require a non-stock item, our manufacturer, M.T. Marchetti also maintains a large inventory in Italy. Tooling can be obtained in as little as 3-5 business days.

Shipping

MD Tooling realizes that when you need tooling, often you can't wait until the next day. We process orders and ship from available stock right up until 4PM EST to make certain we get your tooling solutions to you as quickly as possible.

We regularly ship throughout the day via UPS, FedEx or any other carrier that a customer requests.



10139 Bergin Road
Howell, MI 48843
Phone: (810) 632-4446
Fax: (810) 632-4467
Email: info@mdtooling.com
Web: www.mdtooling.com

- Fast, Friendly, Reliable Service!
- Quality tooling at highly competitive pricing.
- 2-Year Warranty on all live tools.
- Extensive inventory. We currently ship over 93% of all orders same day.
- In-house repair services available.
- If a warranty tool needs to be returned for inspection, service or repair, loaner tools are available to keep your machine tool production up and running.
- More specialty tool holders than any other manufacturer.
- Custom tool holders available.
- All available tooling may not be shown in this catalog. If you can't find the holder you're looking for, please contact our office for assistance.



Table of Contents

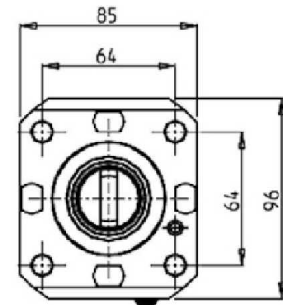
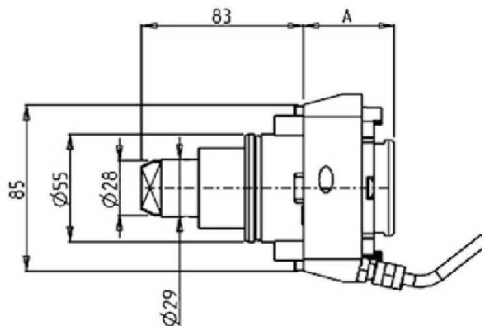
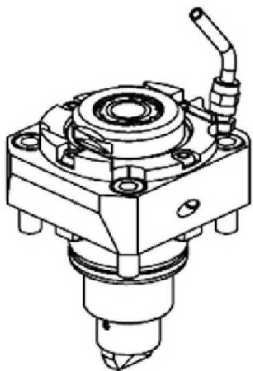
Categorized Listing

VL2 - VL2 P - VL4-V2 - VLC100 - VT2 - VTC100-4 (BMT55 SHORT)	1		
DRIVEN	1		
RADIAL DRIVEN TOOL	1		
RADIAL HSK DRIVEN TOOL	1		
RADIAL HSK GEARED-DOWN 2:1 DRIVEN TOOL RE-DIRECTED IN Z BY 80mm	1		
AXIAL DRIVEN TOOL H=85mm	2		
(0-180) ADJUSTABLE ANGLE DRIVEN TOOL H=54mm	3		
(0-180) ADJUSTABLE ANGLE DRIVEN TOOL WITH DIGITAL DISPLAY H=54mm	3		
VL2 - VL2 P - VL4-V2 - VLC100 - VT2 - VTC100-4	4		
STATIC	4		
RADIAL SINGLE STATIC TOOL	4		
AXIAL SINGLE STATIC TOOL	4		
VL2 - VL4-V2 - VLC100	4		
STATIC	4		
RADIAL SINGLE BORING BAR HOLDER	4		
VL2 - VL2 P - VL4-V2 - VLC100 - VT2 - VTC100-4 (BMT55 SHORT)	5		
CAPTO DRIVEN	5		
RADIAL DRIVEN TOOL CAPTO C4	5		
VL2 - VL4-V2 - VLC100	6		
CAPTO STATIC	6		
RADIAL SINGLE STATIC CAPTO TOOL	6		
AXIAL SINGLE STATIC CAPTO TOOL	6		
VL3 DUO - VL5 DUO - VL4-V3	7		
DRIVEN	7		
RADIAL DRIVEN TOOL	7		
AXIAL DRIVEN TOOL H=85mm	8		
(0-180) ADJUSTABLE ANGLE DRIVEN TOOL H=54mm	8		
(0-180) ADJUSTABLE ANGLE DRIVEN TOOL WITH DIGITAL DISPLAY H=54mm	9		
STATIC	10		
RADIAL SINGLE STATIC TOOL	10		
AXIAL SINGLE STATIC TOOL	10		
RADIAL SINGLE BORING BAR HOLDER	10		
CAPTO STATIC	11		
RADIAL SINGLE STATIC CAPTO TOOL	11		
AXIAL SINGLE STATIC CAPTO TOOL	11		
VL6 - VM9 - VMC450 - VM9-4 - VMC450-4 (BMT65)	12		
DRIVEN	12		
RADIAL REINFORCED DRIVEN TOOL	12		
QUICK CHANGE RADIAL MTSK REINFORCED DRIVEN TOOL See Accessories for MTSK Clamping Units	12		
AXIAL DRIVEN TOOL H=72mm	13		
AXIAL REINFORCED DRIVEN TOOL H=72mm	13		
QUICK CHANGE AXIAL MTSK DRIVEN TOOL H=72mm See Accessories for MTSK Clamping Units	14		
QUICK CHANGE AXIAL MTSK REINFORCED DRIVEN TOOL H=72mm See Accessories for MTSK Clamping Units	14		
VL6 - VM9 - VMC450 (BMT65)	15		
DRIVEN	15		
(0-180) ADJUSTABLE ANGLE DRIVEN TOOL H=72mm	15		
(0-180) ADJUSTABLE ANGLE DRIVEN TOOL WITH DIGITAL DISPLAY H=72mm	15		
(0-180) ADJUSTABLE ANGLE DRIVEN TOOL GEARED-UP 1:2 H=72mm	16		
		(0-180) ADJUSTABLE ANGLE DRIVEN TOOL GEARED-UP 1:2 WITH DIGITAL DISPLAY H=72mm	16
		STATIC	17
		RADIAL SINGLE STATIC TOOL H=90mm	17
		RADIAL SINGLE STATIC TOOL H=75mm	17
		AXIAL SINGLE STATIC TOOL	17
VL6 - VM9 - VMC450 - VM9-4 - VMC450-4 (BMT65)	18		
CAPTO STATIC	18		
RADIAL SINGLE STATIC CAPTO TOOL	18		
VL8 - VL10 - VLC500 - VM12 - VMC600 (BMT75)	19		
DRIVEN	19		
RADIAL DRIVEN TOOL	19		
QUICK CHANGE RADIAL MTSK DRIVEN TOOL See Accessories for MTSK Clamping Units	19		
AXIAL REINFORCED DRIVEN TOOL H=60mm	20		
QUICK CHANGE AXIAL MTSK REINFORCED DRIVEN TOOL H=60mm See Accessories for MTSK Clamping Units	20		
0-180° ADJUSTABLE ANGLE DRIVEN TOOL	21		
CAPTO DRIVEN	22		
RADIAL DRIVEN TOOL CAPTO C5	22		
AXIAL DRIVEN TOOL CAPTO H=60mm	22		
VL8 - VL10 - VLC500 (BMT75)	23		
CAPTO STATIC	23		
RADIAL SINGLE STATIC TOOL CAPTO C6	23		
VL8 - VL10 - VLC500 - VM12 - VMC600 (BMT75)	23		
CAPTO STATIC	23		
AXIAL SINGLE STATIC TOOL CAPTO C6	23		
ACCESSORIES	24		
DRIVEN	24		
MTSK-40 ER ADAPTORS	24		
MTSK-40 MILL ADAPTORS	25		
MTSK-50 ER ADAPTORS	26		
MTSK-50 MILL ADAPTORS	27		
TOOL DISASSEMBLING EQUIPMENT FOR MTSK	28		

VL2 - VL2 P - VL4-V2 - VLC100 - VT2 - VTC100-4 (BMT55 SHORT)

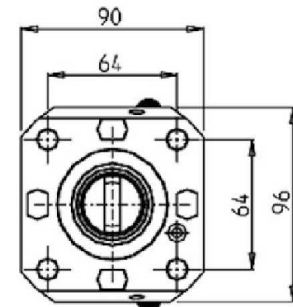
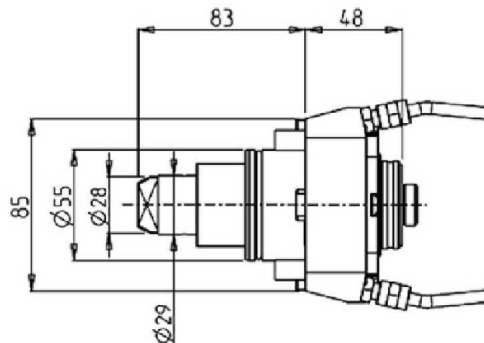
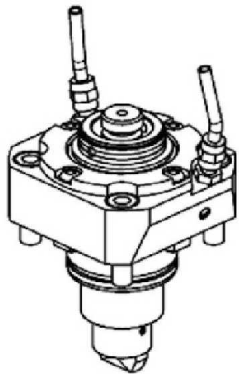
DRIVEN

RADIAL DRIVEN TOOL



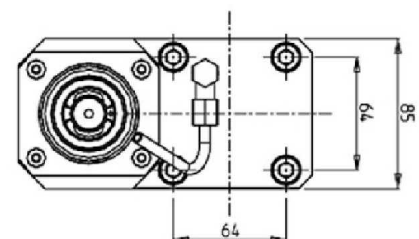
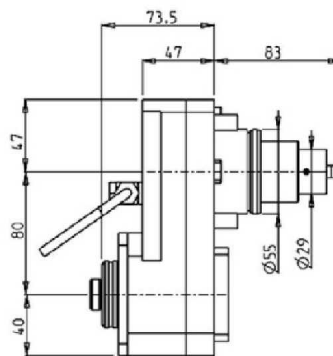
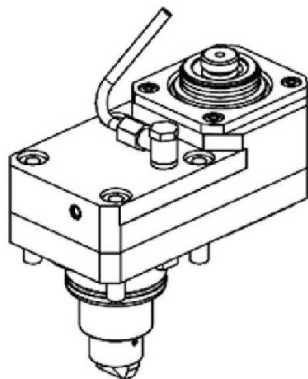
Part Number	Description	Spindle	I	RPM	Cool Thru	Ext Cool	A
DWO 2010325	Radial Driven Tool ERA25	ERA25	1:1	6000		X	46.5
DWO 2010425	Radial Driven Tool ERA25 Cool Thru*	ERA25	1:1	6000	X	X	59.5
DWO 2010132	Radial Driven Tool ER32	ER32	1:1	6000		X	71.2

RADIAL HSK DRIVEN TOOL



Part Number	Description	Spindle	I	RPM	Ext Cool
DWO 1660140	Radial Driven Tool HSK-40	HSK-40	1:1	6000	X

RADIAL HSK GEARED-DOWN 2:1 DRIVEN TOOL RE-DIRECTED IN Z BY 80mm

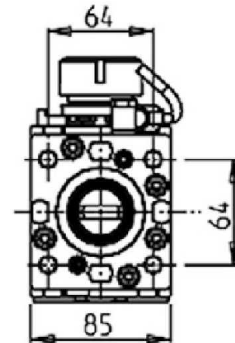
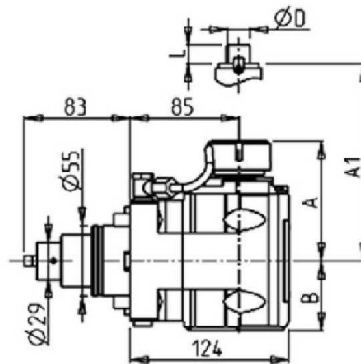
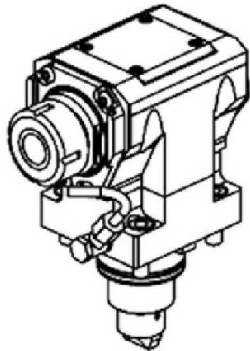


Part Number	Description	Spindle	I	RPM	Reversible	Ext Cool
DWO 1740140	Radial Geared-Down 2:1 HSK-40	HSK-40	2:1	3000	X	X

VL2 - VL2 P - VL4-V2 - VLC100 - VT2 - VTC100-4 (BMT55 SHORT)

DRIVEN

AXIAL DRIVEN TOOL H=85mm



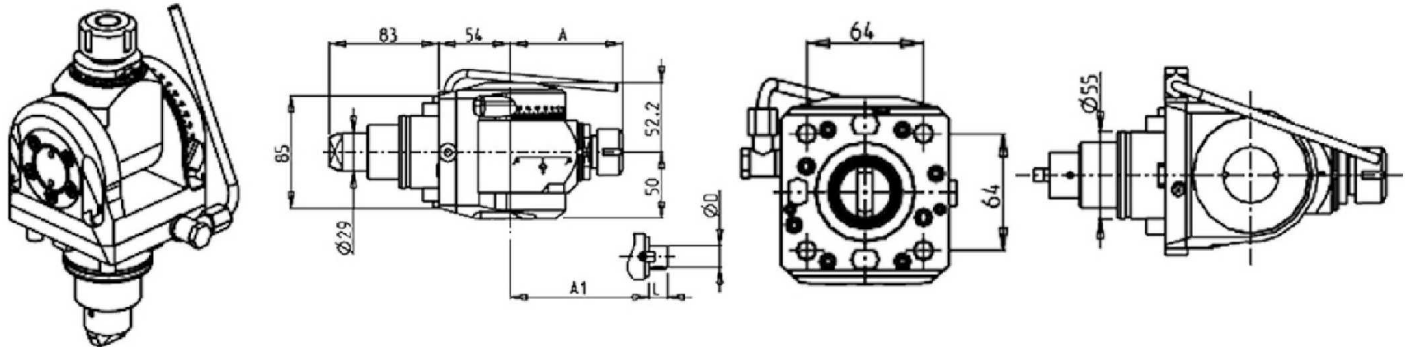
Part Number	Description	Spindle	I	RPM	Reversible	Cool Thru	Ext Cool	A	A1	B	D	L
DWO 2040125	Axial Driven Tool ER25	ER25	1:1	6000	X		X	91.16	54.5			
DWO 2040225	Axial Driven Tool ER25 Cool Thru	ER25	1:1	6000	X	X	X	91.16	65.5			
DWO 2040325	Axial Driven Tool ERA25	ERA25	1:1	6000	X		X	65	54.5			
DWO 2040425	Axial Driven Tool ERA25 Cool Thru	ERA25	1:1	6000	X	X	X	65	65.5			
DWO 2040132	Axial Driven Tool ER32	ER32	1:1	6000	X		X	93.66	54.5			
DWO 2040232	Axial Driven Tool ER32 Cool Thru	ER32	1:1	6000	X	X	X	93.66	65.5			
DWO 2040140	Axial Driven Tool ER40	ER40	1:1	6000	X		X	98.16	54.5			
DWO 2040240	Axial Driven Tool ER40 Cool Thru	ER40	1:1	6000	X	X	X	98.16	65.5			
DWO 2040516	Axial Mill Head Ø16x17	16x17	1:1	6000	X		X		67.5	54.5	16	17
DWO 2040522	Axial Mill Head Ø22x19	22x19	1:1	6000	X		X		67.5	54.5	22	19
DWO 2040527	Axial Mill Head Ø27x21	27x21	1:1	6000	X		X		70	54.5	27	21

* Coolant Thru tools are designed for 1000 psi.
They require 5 Micron Filtration and **CANNOT** be run dry.

VL2 - VL2 P - VL4-V2 - VLC100 - VT2 - VTC100-4 (BMT55 SHORT)

DRIVEN

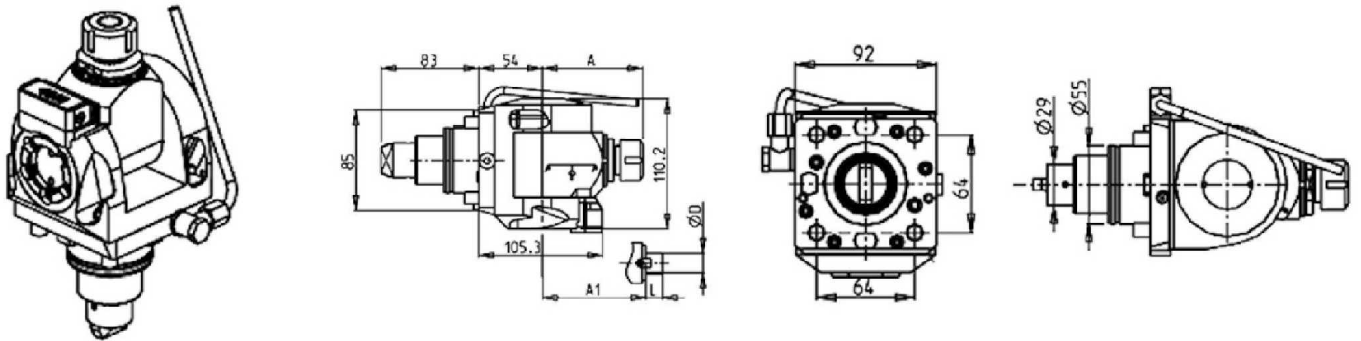
(0-180) ADJUSTABLE ANGLE DRIVEN TOOL H=54mm



Part Number	Description	Spindle	I	RPM	Reversible	Ext Cool	A	A1	D	L
DWO 2100120	(0-180) Adj. Angle ER20	ER20	1:1	6000	X	X	85.16			
DWO 2100125	(0-180) Adj. Angle ER25	ER25	1:1	6000	X	X	86.16			
DWO 2100519	(0-180) Adj. Angle Ø3/4"x3/4"	3/4"x3/4"	1:1	6000	X	X		65	3/4"	3/4"
DWO 2100516	(0-180) Adj. Angle Ø16x17	16x17	1:1	6000	X	X		65	16	17
DWO 2100522	(0-180) Adj. Angle Ø22x19	22x19	1:1	6000	X	X		66	22	19

Note : Wrenches are provided with the purchase of Specialty Toolholders

(0-180) ADJUSTABLE ANGLE DRIVEN TOOL WITH DIGITAL DISPLAY H=54mm



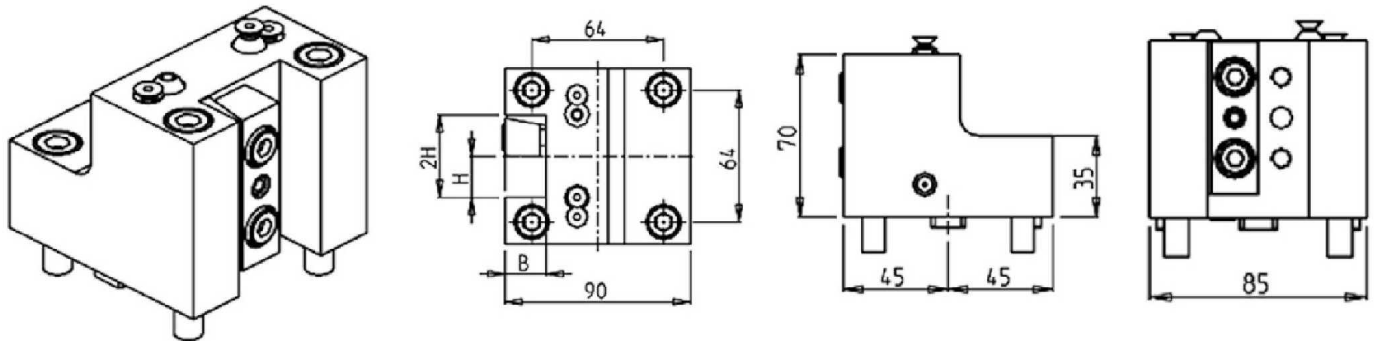
Part Number	Description	Spindle	I	RPM	Reversible	Ext Cool	A	A1	D	L
DWO 2110120	(0-180) Adj. Angle ER20 with Digital Display	ER20	1:1	6000	X	X	85.16			
DWO 2110125	(0-180) Adj. Angle ER25 with Digital Display	ER25	1:1	6000	X	X	86.16			
DWO 2110519	(0-180) Adj. Angle Ø3/4"x3/4" with Digital Display	3/4"x3/4"	1:1	6000	X	X		65	3/4"	3/4"
DWO 2110516	(0-180) Adj. Angle Ø16x17 with Digital Display	16x17	1:1	6000	X	X		65	16	17
DWO 2110522	(0-180) Adj. Angle Ø22x19 with Digital Display	22x19	1:1	6000	X	X		66	22	19

Note : Wrenches are provided with the purchase of Specialty Toolholders

VL2 - VL2 P - VL4-V2 - VLC100 - VT2 - VTC100-4

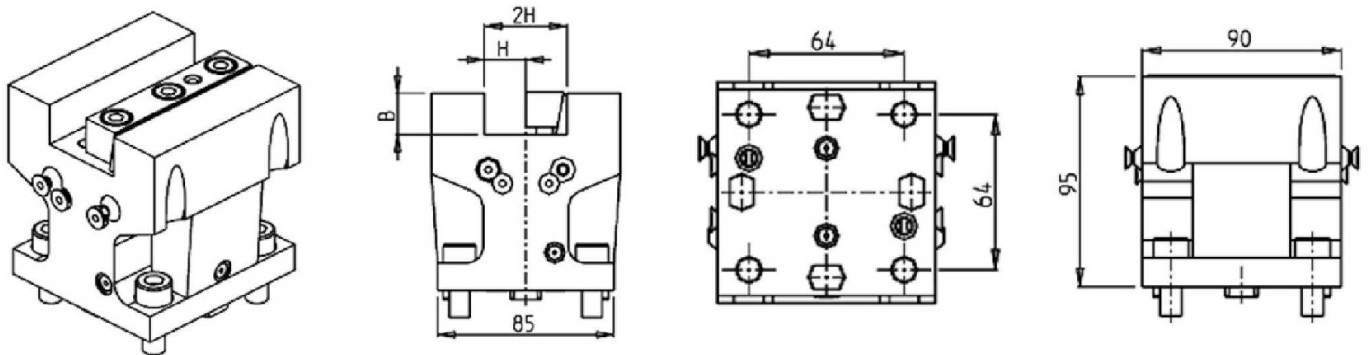
STATIC

RADIAL SINGLE STATIC TOOL



Part Number	Description	# of Tools	Dimensions	B	H
DWO 2082000	Radial Single Static Tool 20mm	1	mm	20	20

AXIAL SINGLE STATIC TOOL

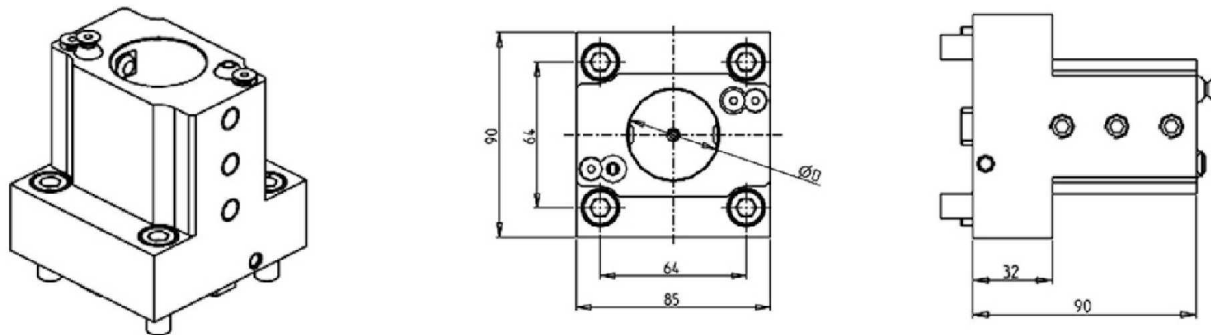


Part Number	Description	# of Tools	Reversible	Dimensions	B	H
DWO 2072000	Axial Single Static Tool 20mm	1	X	mm	20	20

VL2 - VL4-V2 - VLC100

STATIC

RADIAL SINGLE BORING BAR HOLDER

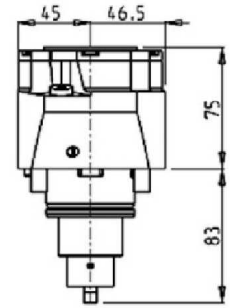
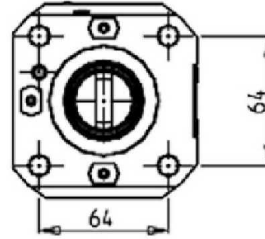
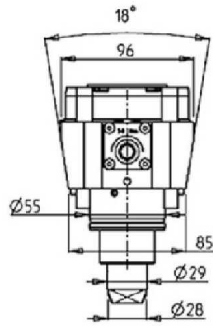
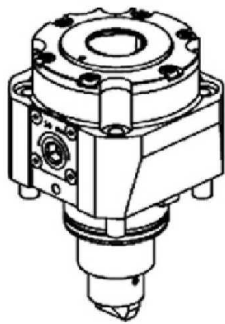


Part Number	Description	# of Tools	Cool Thru	Ext Cool	Dimensions	D
DWO 2064000	Radial Single Boring Bar Holder 40mm	1	X	X	mm	40

VL2 - VL2 P - VL4-V2 - VLC100 - VT2 - VTC100-4 (BMT55 SHORT)

CAPTO DRIVEN

RADIAL DRIVEN TOOL CAPTO C4



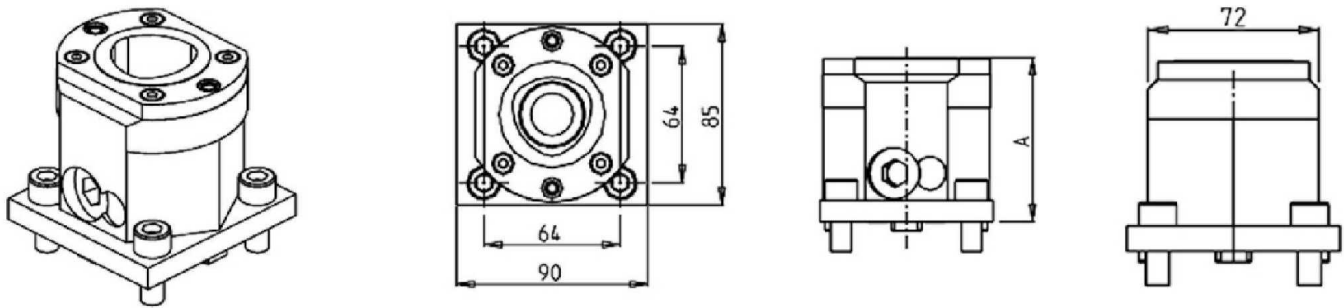
Part Number	Description	Size	I	RPM	Cool Thru	Ext Cool
DWO 4020240	Radial Driven Tool Capto C4	C4	1:1	6000	X	X

* Coolant Thru tools are designed for 1000 psi.
They require 5 Micron Filtration and **CANNOT** be run dry.

VL2 - VL4-V2 - VLC100

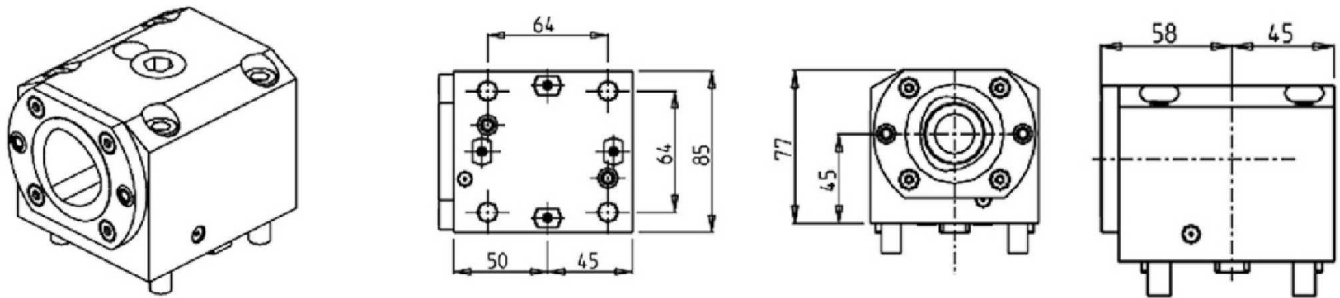
CAPTO STATIC

RADIAL SINGLE STATIC CAPTO TOOL



Part Number	Description	# of Tools	Cool Thru	A	Size
DWO 2675010	Radial Single Static Capto C5 Right Version	1	X	80	C5
DWO 2675010LC	Radial Single Static Capto C5 Left Version	1	X	80	C5
DWO 3665010	Radial Single Static Capto C5 Right Version	1	X	75	C5
DWO 3665010LC	Radial Single Static Capto C5 Left Version	1	X	75	C5

AXIAL SINGLE STATIC CAPTO TOOL

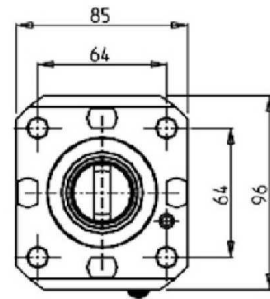
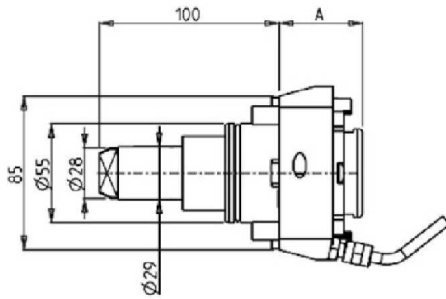
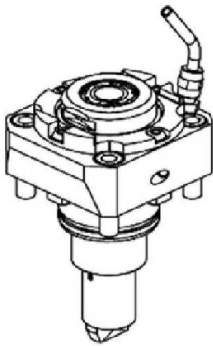


Part Number	Description	# of Tools	Cool Thru	Size
DWO 3675010	Axial Single Static Tool Capto C5 Right Hand	1	X	C5
DWO 3675010LC	Axial Single Static Tool Capto C5 Left Hand	1	X	C5

VL3 DUO - VL5 DUO - VL4-V3

DRIVEN

RADIAL DRIVEN TOOL

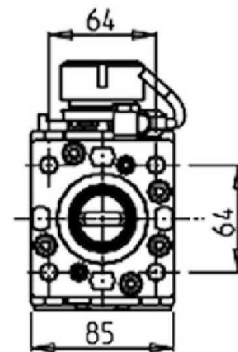
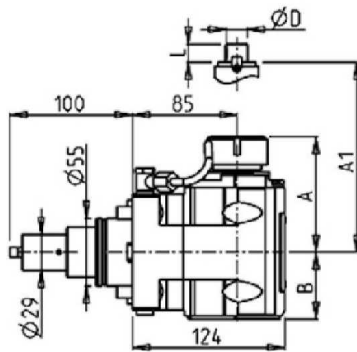
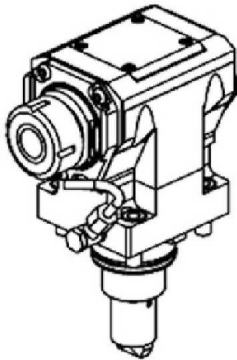


Part Number	Description	Spindle	I	RPM	Cool Thru	Ext Cool	A
DWO 2370325	Radial Driven Tool ERA25	ERA25	1:1	6000		X	46.5
DWO 2370425	Radial Driven Tool ERA25 Cool Thru	ERA25	1:1	6000	X	X	59.5
DWO 2370132	Radial Driven Tool ER32	ER32	1:1	6000		X	71.2

VL3 DUO - VL5 DUO - VL4-V3

DRIVEN

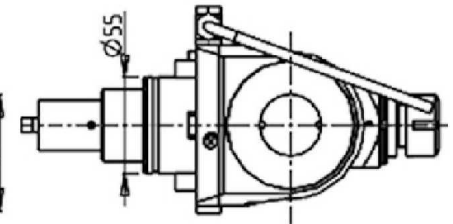
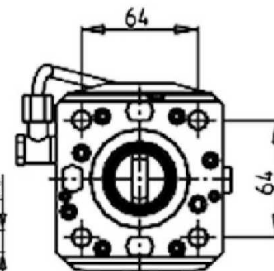
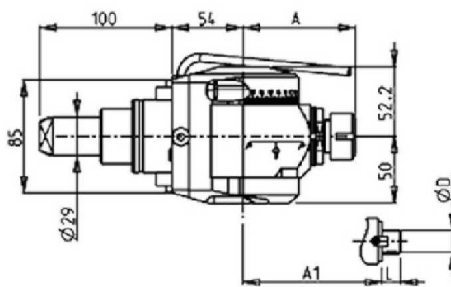
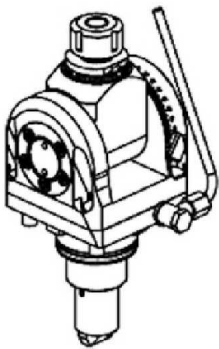
AXIAL DRIVEN TOOL H=85mm



Part Number	Description	Spindle	I	RPM	Reversible	Cool Thru	Ext Cool	A	A1	B	D	L
DWO 2620125	Axial Driven Tool ER25	ER25	1:1	6000	X		X	91.16		54.5		
DWO 2620225	Axial Driven Tool ER25 Cool Thru	ER25	1:1	6000	X	X	X	91.16		65.5		
DWO 2620325	Axial Driven Tool ERA25	ERA25	1:1	6000	X		X	65		54.5		
DWO 2620425	Axial Driven Tool ERA25 Cool Thru	ERA25	1:1	6000	X	X	X	65		65.5		
DWO 2620132	Axial Driven Tool ER32	ER32	1:1	6000	X		X	93.66		54.5		
DWO 2620232	Axial Driven Tool ER32 Cool Thru	ER32	1:1	6000	X	X	X	93.66		65.5		
DWO 2620140	Axial Driven Tool ER40	ER40	1:1	6000	X		X	98.16		54.5		
DWO 2620240	Axial Driven Tool ER40 Cool Thru	ER40	1:1	6000	X	X	X	98.16		65.5		
DWO 2620516	Axial Mill Head Ø16x17	16x17	1:1	6000	X		X			67.5	54.5	16 17
DWO 2620522	Axial Mill Head Ø22x19	22x19	1:1	6000	X		X			67.5	54.5	22 19
DWO 2620527	Axial Mill Head Ø27x21	27x21	1:1	6000	X		X			70	54.5	27 21

* Coolant Thru tools are designed for 1000 psi.
They require 5 Micron Filtration and **CANNOT** be run dry.

(0-180) ADJUSTABLE ANGLE DRIVEN TOOL H=54mm



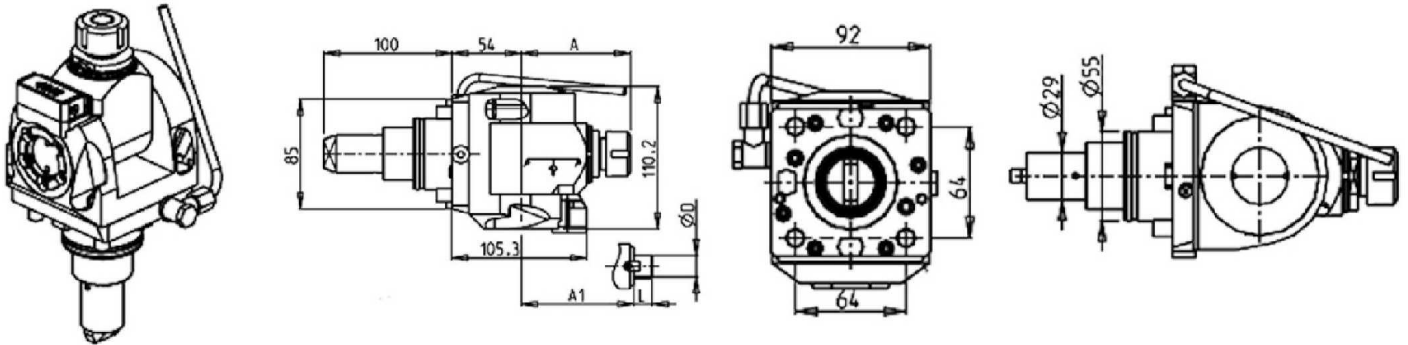
Part Number	Description	Spindle	I	RPM	Reversible	Ext Cool	A	A1	D	L
DWO 2650120	(0-180) Adj. Angle ER20	ER20	1:1	6000	X	X	85.16			
DWO 2650125	(0-180) Adj. Angle ER25	ER25	1:1	6000	X	X	86.16			
DWO 2650519	(0-180) Adj. Angle Ø3/4"x3/4"	3/4"x3/4"	1:1	6000	X	X		65	3/4"	3/4"
DWO 2650516	(0-180) Adj. Angle Ø16x17	16x17	1:1	6000	X	X		65	16	17
DWO 2650522	(0-180) Adj. Angle Ø22x19	22x19	1:1	6000	X	X		66	22	19

Note : Wrenches are provided with the purchase of Specialty Toolholders

VL3 DUO - VL5 DUO - VL4-V3

DRIVEN

(0-180) ADJUSTABLE ANGLE DRIVEN TOOL WITH DIGITAL DISPLAY H=54mm



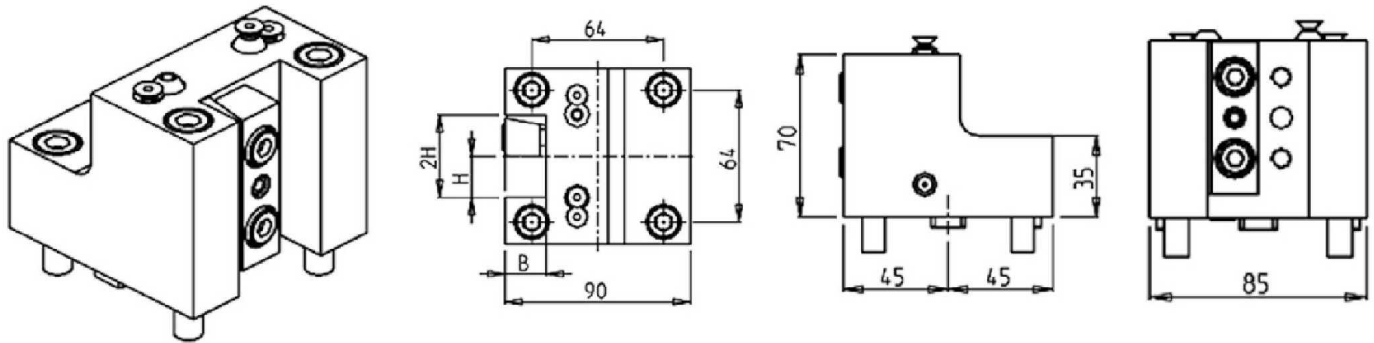
Part Number	Description	Spindle	I	RPM	Reversible	Ext Cool	A	A1	D	L
DWO 2660120	(0-180) Adj. Angle ER20 with Digital Display	ER20	1:1	6000	X	X	85.16			
DWO 2660125	(0-180) Adj. Angle ER25 with Digital Display	ER25	1:1	6000	X	X	86.16			
DWO 2660519	(0-180) Adj. Angle 3/4"x3/4" with Digital Display	3/4"x3/4"	1:1	6000	X	X		65	3/4"	3/4"
DWO 2660516	(0-180) Adj. Angle Ø16x17 with Digital Display	16x17	1:1	6000	X	X		65	16	17
DWO 2660522	(0-180) Adj. Angle Ø22x19 with Digital Display	22x19	1:1	6000	X	X		66	22	19

Note : Wrenches are provided with the purchase of Specialty Toolholders

VL3 DUO - VL5 DUO - VL4-V3

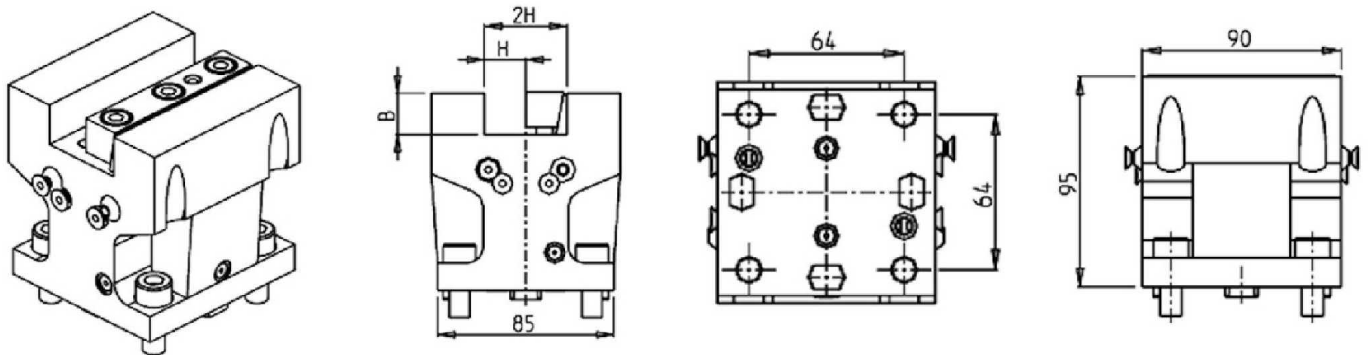
STATIC

RADIAL SINGLE STATIC TOOL



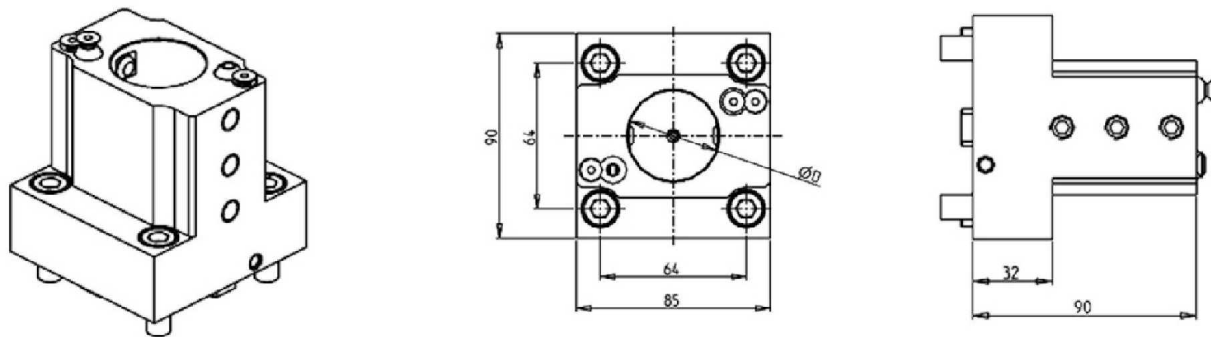
Part Number	Description	# of Tools	Dimensions	B	H
DWO 2082000	Radial Single Static Tool 20mm	1	mm	20	20

AXIAL SINGLE STATIC TOOL



Part Number	Description	# of Tools	Reversible	Dimensions	B	H
DWO 2072000	Axial Single Static Tool 20mm	1	X	mm	20	20

RADIAL SINGLE BORING BAR HOLDER

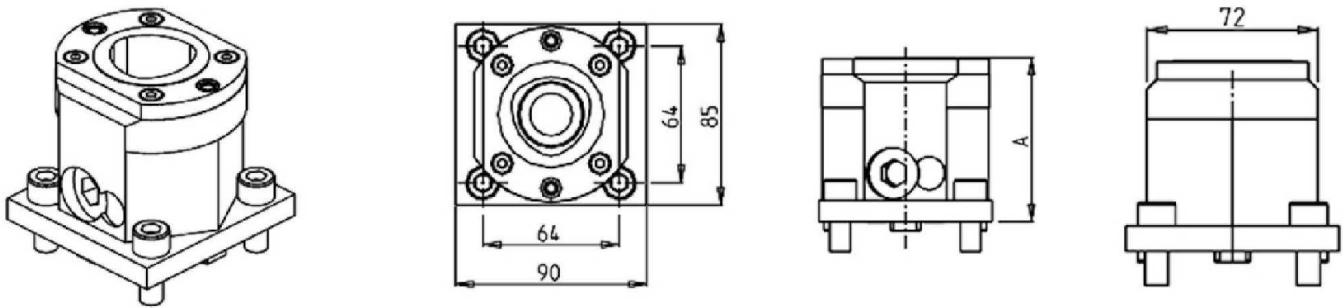


Part Number	Description	# of Tools	Cool Thru	Ext Cool	Dimensions	D
DWO 2064000	Radial Single Boring Bar Holder 40mm	1	X	X	mm	40

VL3 DUO - VL5 DUO - VL4-V3

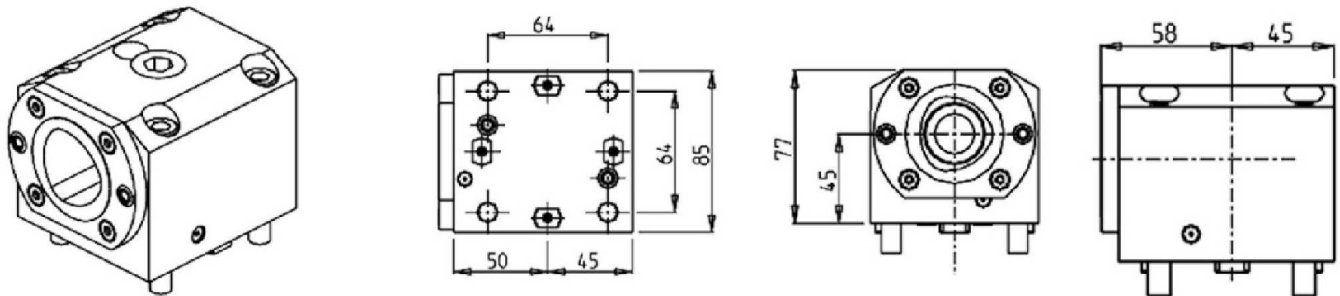
CAPTO STATIC

RADIAL SINGLE STATIC CAPTO TOOL



Part Number	Description	# of Tools	Cool Thru	A	Size
DWO 2675010	Radial Single Static Capto C5 Right Version	1	X	80	C5
DWO 2675010LC	Radial Single Static Capto C5 Left Version	1	X	80	C5
DWO 3665010	Radial Single Static Capto C5 Right Version	1	X	75	C5
DWO 3665010LC	Radial Single Static Capto C5 Left Version	1	X	75	C5

AXIAL SINGLE STATIC CAPTO TOOL

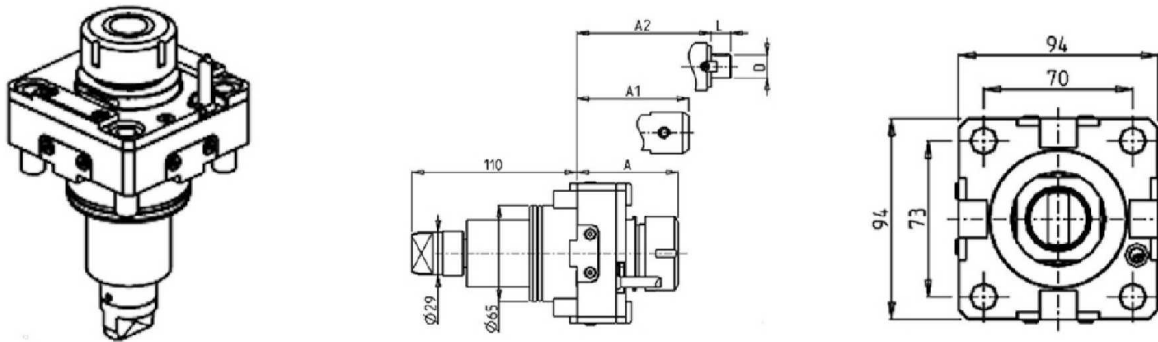


Part Number	Description	# of Tools	Cool Thru	Size
DWO 3675010	Axial Single Static Tool Capto C5 Right Hand	1	X	C5
DWO 3675010LC	Axial Single Static Tool Capto C5 Left Hand	1	X	C5

VL6 - VM9 - VMC450 - VM9-4 - VMC450-4 (BMT65)

DRIVEN

RADIAL REINFORCED DRIVEN TOOL

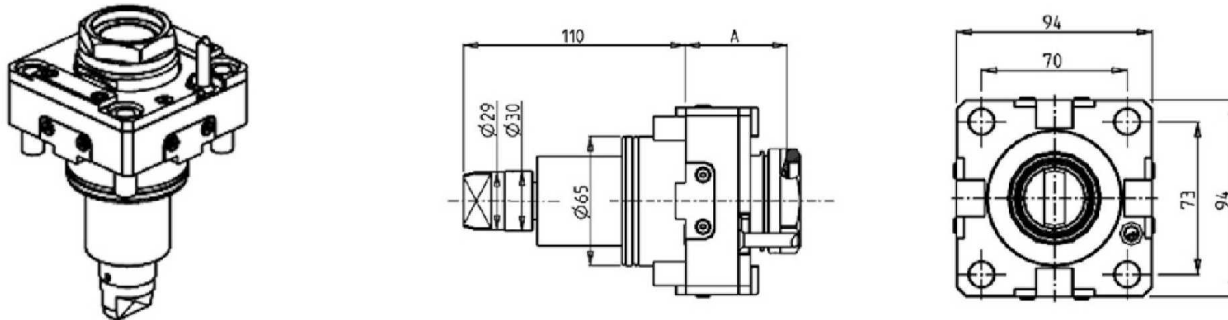


Part Number	Description	Spindle	I	RPM	Cool Thru	Ext Cool	A	A1	A2	D	L
EMG0040132	Radial Reinforced ER32	ER32	1:1	6000		X	68.7				
EMG0150232	Radial Reinforced ER32 Cool Thru	ER32	1:1	6000	70 BAR	X	79.2				
EMG0040140	Radial Reinforced ER40	ER40	1:1	6000		X	71.7				
EMG0150240	Radial Reinforced ER40 Cool Thru	ER40	1:1	6000	70 BAR	X	82.2				
EMG0040827	Radial Reinforced Mill Head $\varnothing 27 \times 21$ Cool Thru	27x21	1:1	6000	30 BAR	X				56.5	27
EMG0040625	Radial Reinforced Weldon 25 Cool Thru	WELDON 25	1:1	6000	30 BAR	X				72.5	

* Coolant Thru tools are designed for 400/1000 psi.
 They require 5 Micron Filtration and **CANNOT** be run dry.
 30 BAR=400 PSI 70 BAR=1000 PSI

QUICK CHANGE RADIAL MTSK REINFORCED DRIVEN TOOL

See Accessories for MTSK Clamping Units



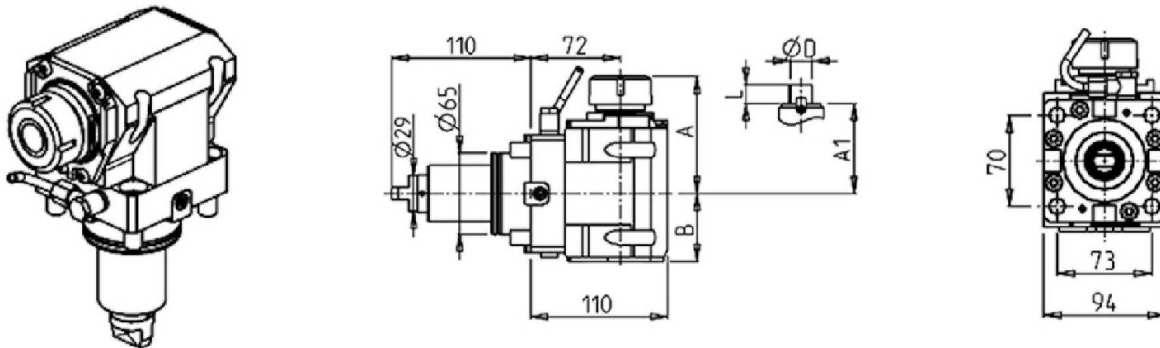
Part Number	Description	Spindle	I	RPM	Cool Thru	Ext Cool	A
EMG0060140	Radial Reinforced MTSK-40	MTSK-40	1:1	6000		X	51.5
EMG0160240	Radial Reinforced MTSK-40 Cool Thru	MTSK-40	1:1	6000	X	X	62.5
EMG0060150	Radial Reinforced MTSK-50	MTSK-50	1:1	6000		X	51.5
EMG0160250	Radial Reinforced MTSK-50 Cool Thru	MTSK-50	1:1	6000	X	X	62.5

* Coolant Thru tools are designed for 1000 psi.
 They require 5 Micron Filtration and **CANNOT** be run dry.

VL6 - VM9 - VMC450 - VM9-4 - VMC450-4 (BMT65)

DRIVEN

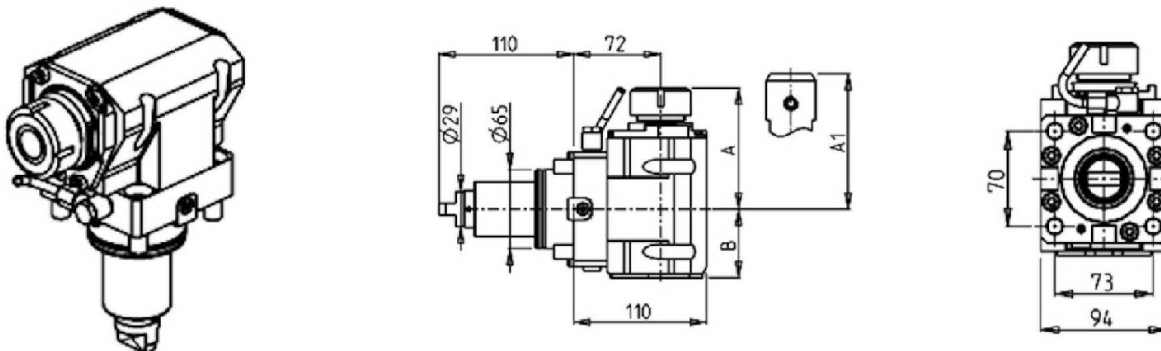
AXIAL DRIVEN TOOL H=72mm



Part Number	Description	Spindle	I	RPM	Reversible	Cool Thru	Ext Cool	A	A1	B	D	L	
EMG0090125	Axial Driven Tool ER25	ER25	1:1	6000	X		X	91.16		54			
EMG0090225	Axial Driven Tool ER25 Cool Thru	ER25	1:1	6000	X	X	X	91.16		65			
EMG0090325	Axial Driven Tool ERA25	ERA25	1:1	6000	X		X	65		54			
EMG0090425	Axial Driven Tool ERA25 Cool Thru	ERA25	1:1	6000	X	X	X	65		65			
EMG0090132	Axial Driven Tool ER32	ER32	1:1	6000	X		X	93.66		54			
EMG0090232	Axial Driven Tool ER32 Cool Thru	ER32	1:1	6000	X	X	X	93.66		65			
EMG0090140	Axial Driven Tool ER40	ER40	1:1	6000	X		X	98.16		54			
EMG0090240	Axial Driven Tool ER40 Cool Thru	ER40	1:1	6000	X	X	X	98.16		65			
EMG0090516	Axial Mill Head Ø16x17	16x17	1:1	6000	X		X			67.5	54	16	17
EMG0090522	Axial Mill Head Ø22x19	22x19	1:1	6000	X		X			67.5	54	22	19
EMG0090527	Axial Mill Head Ø27x21	27x21	1:1	6000	X		X			70	54	27	21

* Coolant Thru tools are designed for 1000 psi.
They require 5 Micron Filtration and **CANNOT** be run dry.

AXIAL REINFORCED DRIVEN TOOL H=72mm



Part Number	Description	Spindle	I	RPM	Reversible	Cool Thru	Ext Cool	A	A1	B	
EMG0100132	Axial Reinforced ER32	ER32	1:1	6000	X		X	99.7		56.5	
EMG0100232	Axial Reinforced ER32 Cool Thru	ER32	1:1	6000	X	X	X	99.7		67.5	
EMG0100725	Axial Reinforced Weldon 25	WELDON 25	1:1	6000	X		X			106	56.5
EMG0100825	Axial Reinforced Weldon 25 Cool Thru	WELDON 25	1:1	6000	X	X	X			106	67.5

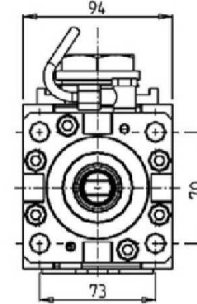
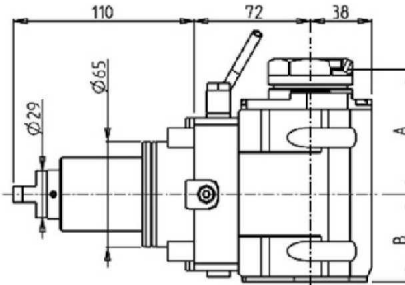
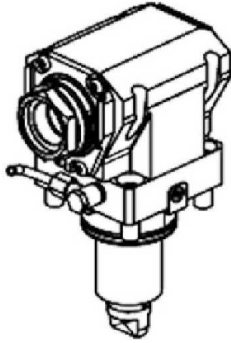
* Coolant Thru tools are designed for 1000 psi.
They require 5 Micron Filtration and **CANNOT** be run dry.

VL6 - VM9 - VMC450 - VM9-4 - VMC450-4 (BMT65)

DRIVEN

QUICK CHANGE AXIAL MTSK DRIVEN TOOL H=72mm

See Accessories for MTSK Clamping Units

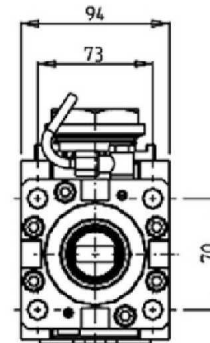
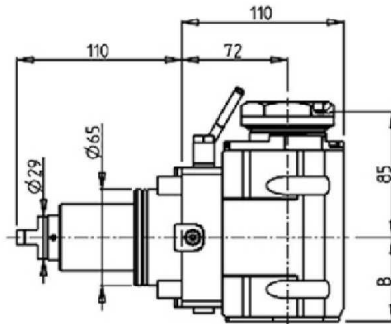
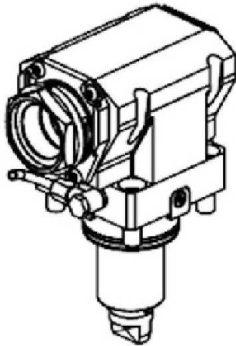


Part Number	Description	Spindle	I	RPM	Reversible	Cool Thru	Ext Cool	A	B
EMG0050140	Axial Driven Tool MTSK-40	MTSK-40	1:1	6000	X		X	77	54
EMG0050240	Axial Driven Tool MTSK-40 Cool Thru	MTSK-40	1:1	6000	X	X	X	77	65
EMG0050150	Axial Driven Tool MTSK-50	MTSK-50	1:1	6000	X		X	79	54
EMG0050250	Axial Driven Tool MTSK-50 Cool Thru	MTSK-50	1:1	6000	X	X	X	79	65

* Coolant Thru tools are designed for 1000 psi.
They require 5 Micron Filtration and **CANNOT** be run dry.

QUICK CHANGE AXIAL MTSK REINFORCED DRIVEN TOOL H=72mm

See Accessories for MTSK Clamping Units



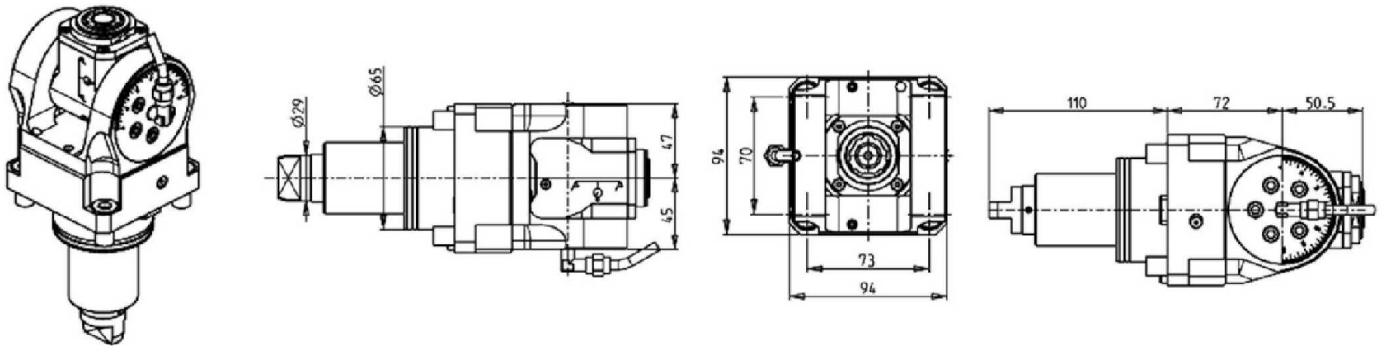
Part Number	Description	Spindle	I	RPM	Reversible	Cool Thru	Ext Cool	B
EMG0110150	Axial Reinforced MTSK-50	MTSK-50	1:1	6000	X		X	56.5
EMG0110250	Axial Reinforced MTSK-50 Cool Thru	MTSK-50	1:1	6000	X	X	X	67.5

* Coolant Thru tools are designed for 1000 psi.
They require 5 Micron Filtration and **CANNOT** be run dry.

VL6 - VM9 - VMC450 (BMT65)

DRIVEN

(0-180) ADJUSTABLE ANGLE DRIVEN TOOL H=72mm



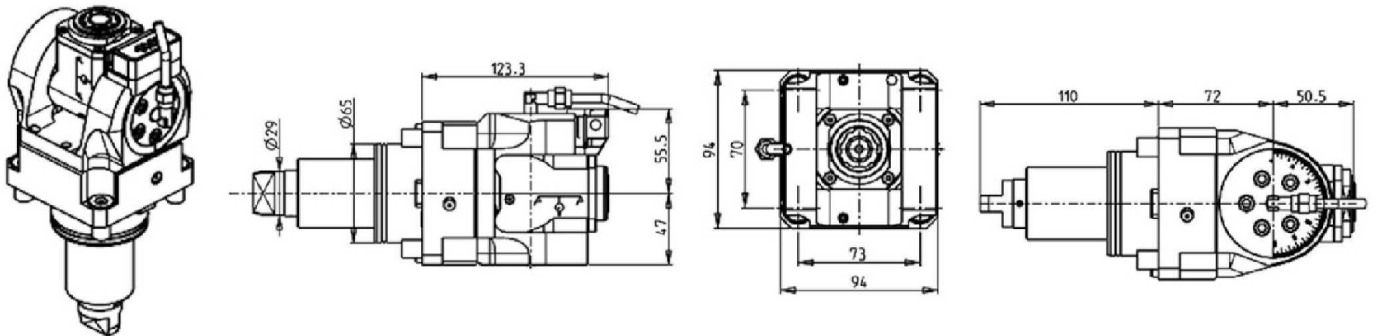
Part Number	Description	Spindle	I	RPM	Reversible	Cool Thru	Ext Cool
EMG0120120	(0-180) Adj. Angle ERA20	ERA20	1:1	6000	X		X
EMG0120220	(0-180) Adj. Angle ERA20 Cool Thru	ERA20	1:1	6000	X	X	X

* Coolant Thru tools are designed for 1000 psi.
They require 5 Micron Filtration and **CANNOT** be run dry.

Note :

Wrenches are provided with the purchase of Specialty Toolholders

(0-180) ADJUSTABLE ANGLE DRIVEN TOOL WITH DIGITAL DISPLAY H=72mm



Part Number	Description	Spindle	I	RPM	Reversible	Cool Thru	Ext Cool
EMG0125120	(0-180) Adj. Angle ERA20 with Digital Display	ERA20	1:1	6000	X		X
EMG0125220	(0-180) Adj. Angle ERA20 with Digital Display Cool Thru	ERA20	1:1	6000	X	X	X

* Coolant Thru tools are designed for 1000 psi.
They require 5 Micron Filtration and **CANNOT** be run dry.

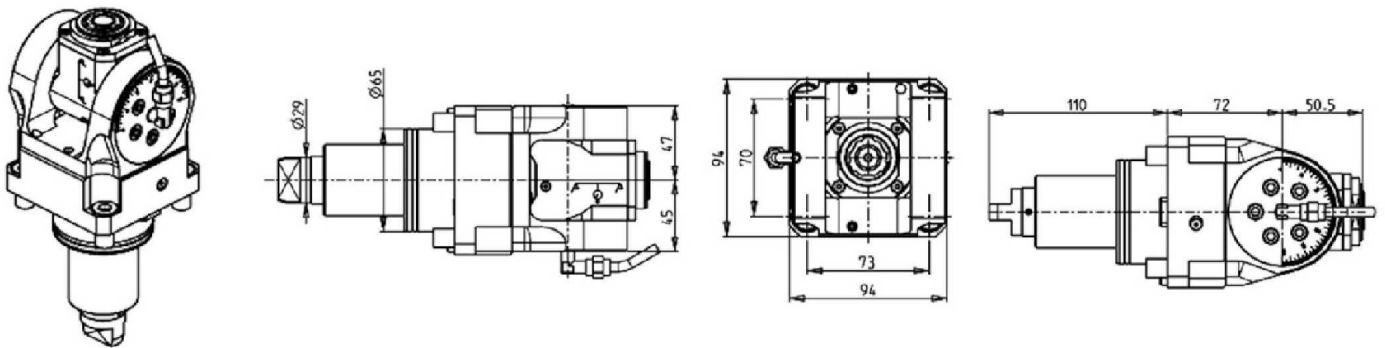
Note :

Wrenches are provided with the purchase of Specialty Toolholders

VL6 - VM9 - VMC450 (BMT65)

DRIVEN

(0-180) ADJUSTABLE ANGLE DRIVEN TOOL GEARED-UP 1:2 H=72mm



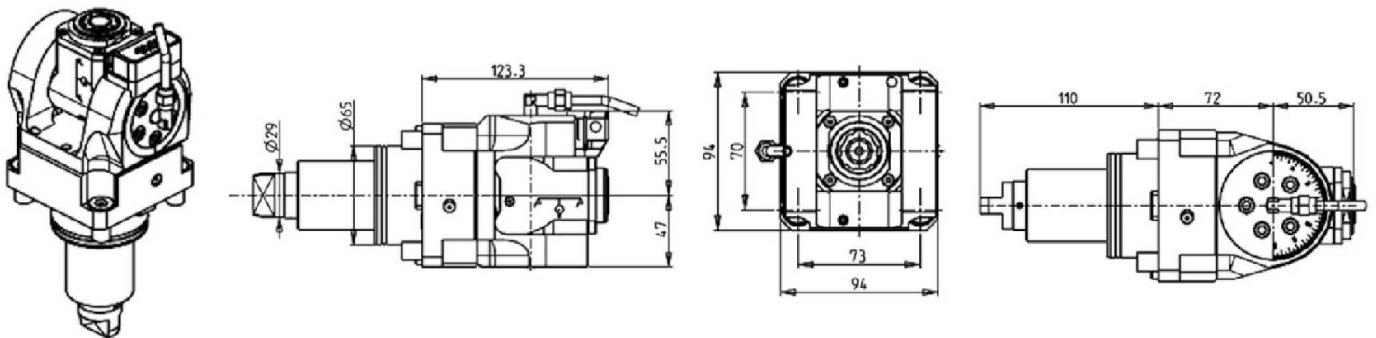
Part Number	Description	Spindle	I	RPM	Reversible	Cool Thru	Ext Cool
EMG0120316	(0-180) Adj. Angle Geared-Up 1:2 ERA16	ERA16	1:2	12000	X		X
EMG0120416	(0-180) Adj. Angle Geared-Up 1:2 ERA16 Cool Thru	ERA16	1:2	12000	X	X	X

* Coolant Thru tools are designed for 1000 psi.
They require 5 Micron Filtration and **CANNOT** be run dry.

Note :

Wrenches are provided with the purchase of Specialty Toolholders

(0-180) ADJUSTABLE ANGLE DRIVEN TOOL GEARED-UP 1:2 WITH DIGITAL DISPLAY H=72mm



Part Number	Description	Spindle	I	RPM	Reversible	Cool Thru	Ext Cool
EMG0125316	(0-180) Adj. Angle Geared-Up 1:2 ERA16 with Digital Display	ERA16	1:2	12000	X		X
EMG0125416	(0-180) Adj. Angle Geared-Up 1:2 ERA16 with Digital Display Cool Thru	ERA16	1:2	12000	X	X	X

* Coolant Thru tools are designed for 1000 psi.
They require 5 Micron Filtration and **CANNOT** be run dry.

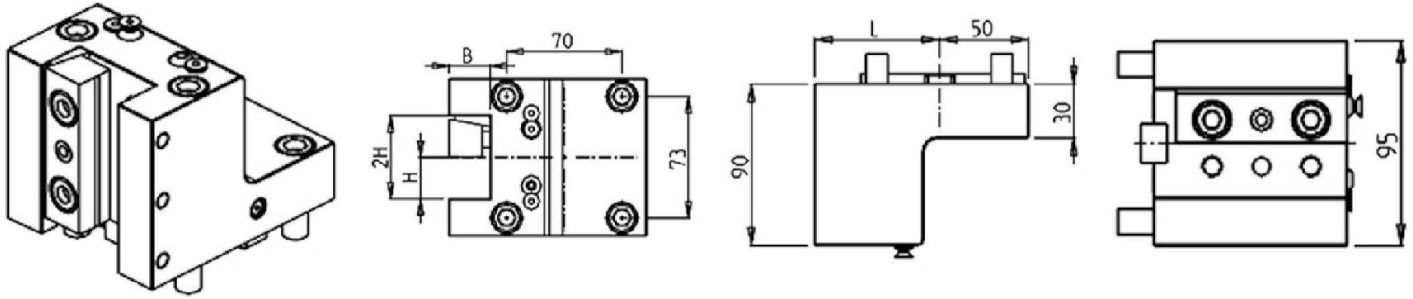
Note :

Wrenches are provided with the purchase of Specialty Toolholders

VL6 - VM9 - VMC450 (BMT65)

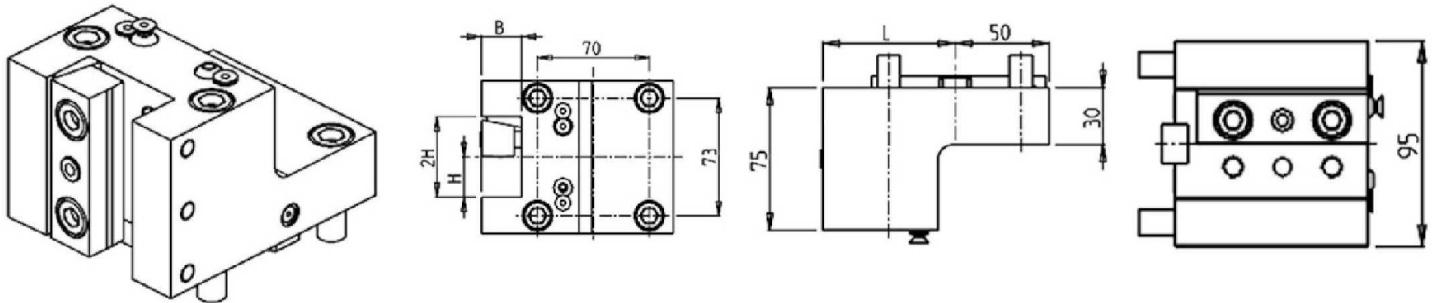
STATIC

RADIAL SINGLE STATIC TOOL H=90mm



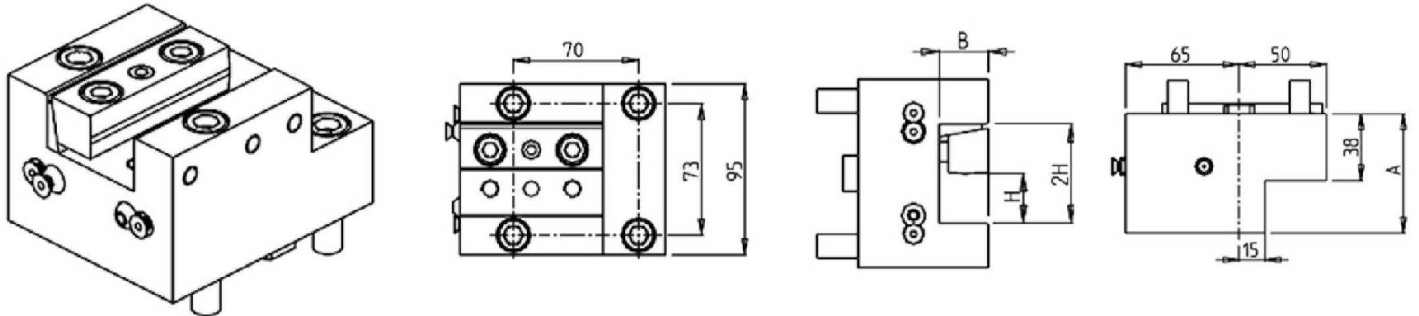
Part Number	Description	# of Tools	Reversible	Dimensions	L	B	H
DWO 0482540	Radial Single Static 1"	1	X	Inch	70	1"	1"
DWO 4202000	Radial Single Static 20mm	1	X	mm	76	20	20
DWO 0482500	Radial Single Static 25mm	1	X	mm	70	25	25

RADIAL SINGLE STATIC TOOL H=75mm



Part Number	Description	# of Tools	Reversible	Cool Thru	Ext Cool	Dimensions	L	B	H
DWO 4282540	Radial Single Static 1"	1	X		X	Inch	81	1"	1"
DWO 1422500	Radial Single Static 25mm	1	X		X	mm	70	25	25
DWO 1422510	Radial Single Static 25mm Cool Thru*	1	X	X	X	mm	70	25	25

AXIAL SINGLE STATIC TOOL

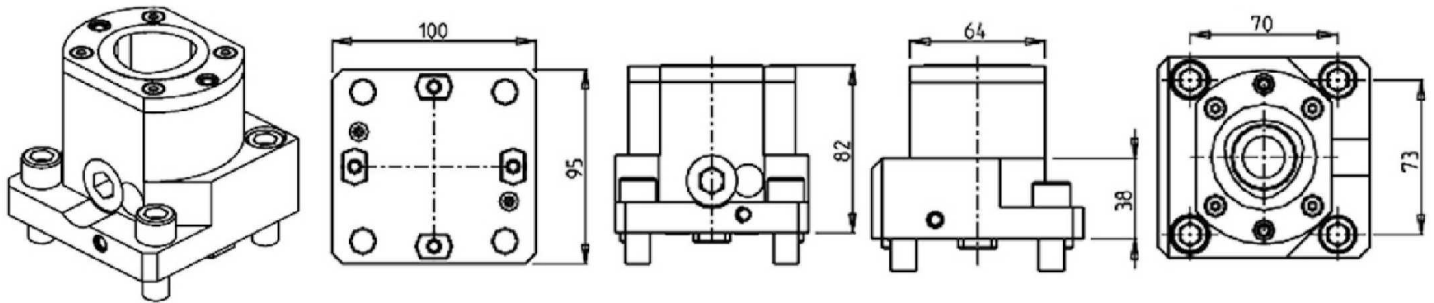


Part Number	Description	# of Tools	Reversible	Cool Thru	Ext Cool	Dimensions	A	B	H
DWO 1452540	Axial Single Static 1"	1	X		X	Inch	68	1"	1"
DWO 1452500	Axial Single Static 25mm	1	X		X	mm	68	25	25
DWO 3462510	Axial Single Static 25mm Cool Thru*	1	X	X	X	mm	90	25	25

VL6 - VM9 - VMC450 - VM9-4 - VMC450-4 (BMT65)

CAPTO STATIC

RADIAL SINGLE STATIC CAPTO TOOL

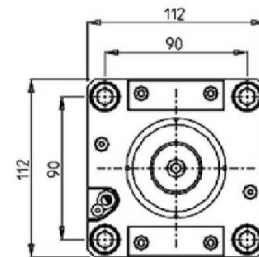
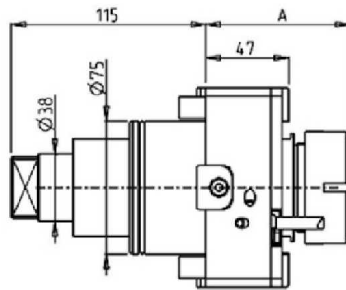
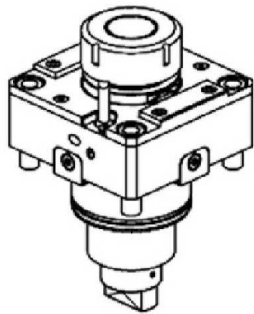


Part Number	Description	# of Tools	Cool Thru	Size
DWO 3045010	Radial Single Static Capto C5 Right Version	1	X	C5
DWO 3045010LC	Radial Single Static Capto C5 Left Version	1	X	C5

VL8 - VL10 - VLC500 - VM12 - VMC600 (BMT75)

DRIVEN

RADIAL DRIVEN TOOL

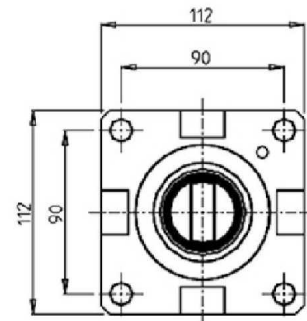
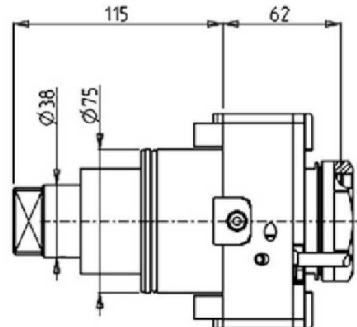
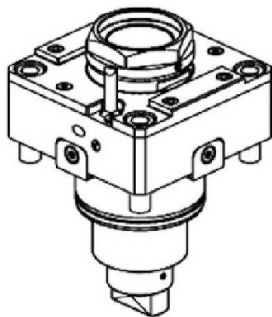


Part Number	Description	Spindle	I	RPM	Cool Thru	Ext Cool	A
EMG0190140	Radial Driven Tool ER40	ER40	1:1	6000		X	81.7
EMG0190240	Radial Driven Tool ER40 Cool Thru*	ER40	1:1	6000	X	X	91.7

* Coolant Thru tools are designed for 1000 psi.
They require 5 Micron Filtration and **CANNOT** be run dry.

QUICK CHANGE RADIAL MTSK DRIVEN TOOL

See Accessories for MTSK Clamping Units

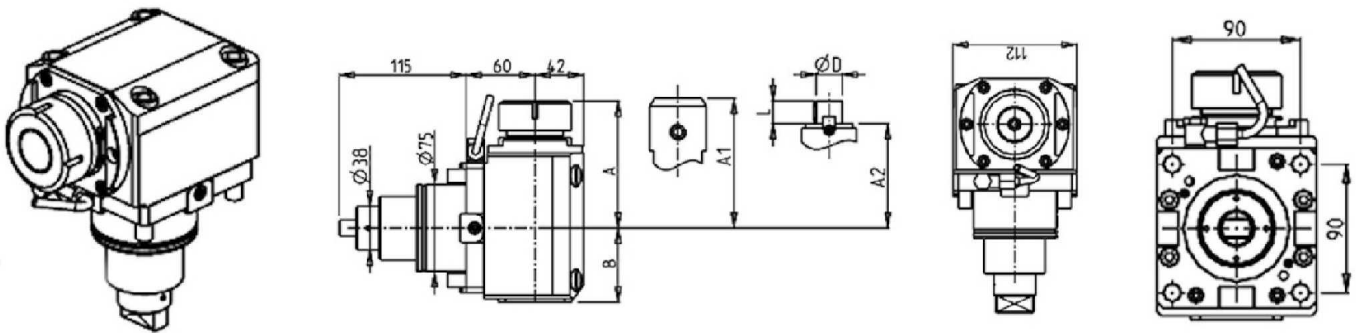


Part Number	Description	Spindle	I	RPM	Ext Cool
EMG0200150	Radial MTSK-50 Driven Tool	MTSK-50	1:1	6000	X

VL8 - VL10 - VLC500 - VM12 - VMC600 (BMT75)

DRIVEN

AXIAL REINFORCED DRIVEN TOOL H=60mm

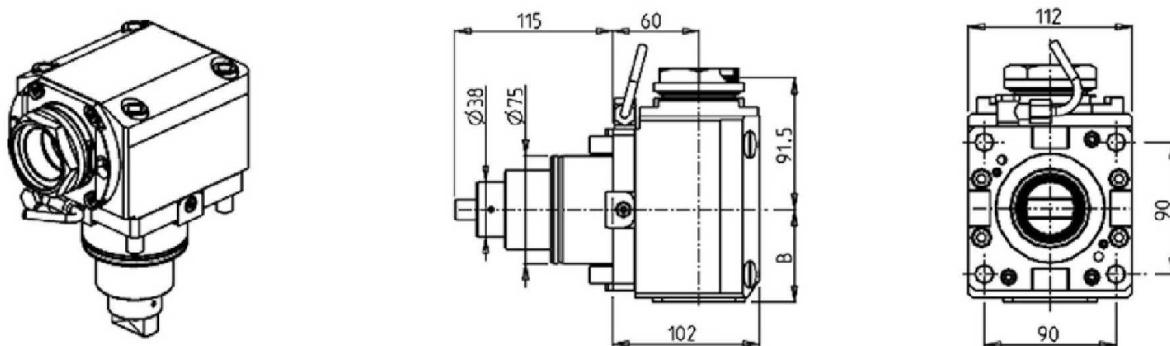


Part Number	Description	Spindle	I	RPM	Cool Thru	Ext Cool	A	A1	A2	B	D	L
EMG0210140	Axial ER40	ER40	1:1	6000		X	109.7			64		
EMG0210240	Axial ER40 Cool Thru*	ER40	1:1	6000	X	X	109.7			76.5		
EMG0210725	Axial Weldon 25	Weldon 25	1:1	6000		X		109.5		64		
EMG0210825	Axial Weldon 25 Cool Thru*	Weldon 25	1:1	6000	X	X		109.5		76.5		
EMG0210522	Axial Mill Head Ø22x19	Ø22x19	1:1	6000		X			89	64	22	19

* Coolant Thru tools are designed for 1000 psi.
They require 5 Micron Filtration and **CANNOT** be run dry.

QUICK CHANGE AXIAL MTSK REINFORCED DRIVEN TOOL H=60mm

See Accessories for MTSK Clamping Units



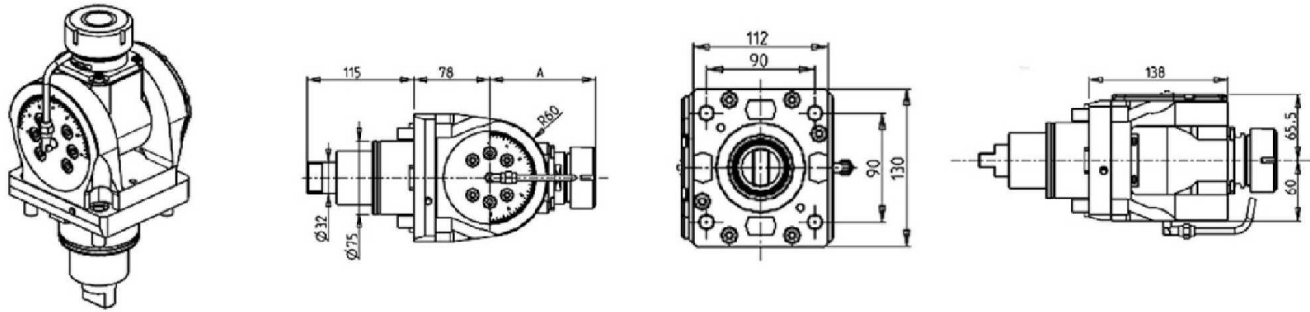
Part Number	Description	Spindle	I	RPM	Reversible	Cool Thru	Ext Cool	B
EMG0220150	Axial MTSK-50 Driven Tool	MTSK-50	1:1	6000	X		X	64
EMG0220250	Axial MTSK-50 Driven Tool Cool Thru*	MTSK-50	1:1	6000	X	X	X	76.5

* Coolant Thru tools are designed for 1000 psi.
They require 5 Micron Filtration and **CANNOT** be run dry.

VL8 - VL10 - VLC500 - VM12 - VMC600 (BMT75)

DRIVEN

0-180° ADJUSTABLE ANGLE DRIVEN TOOL



Part Number	Description	Spindle	I	RPM	Cool Thru	Ext Cool	A
EMG0180332	0-180° Adj. Angle ERA32	ERA32	1:1	6000		X	81
EMG0180432	0-180° Adj. Angle ERA32 Cool Thru*	ERA32	1:1	6000	X	X	81
EMG0180140	0-180° Adj. Angle ER40	ER40	1:1	6000		X	108.66
EMG0180240	0-180° Adj. Angle ER40 Cool Thru*	ER40	1:1	6000	X	X	108.66

* Coolant Thru tools are designed for 1000 psi.
They require 5 Micron Filtration and **CANNOT** be run dry.

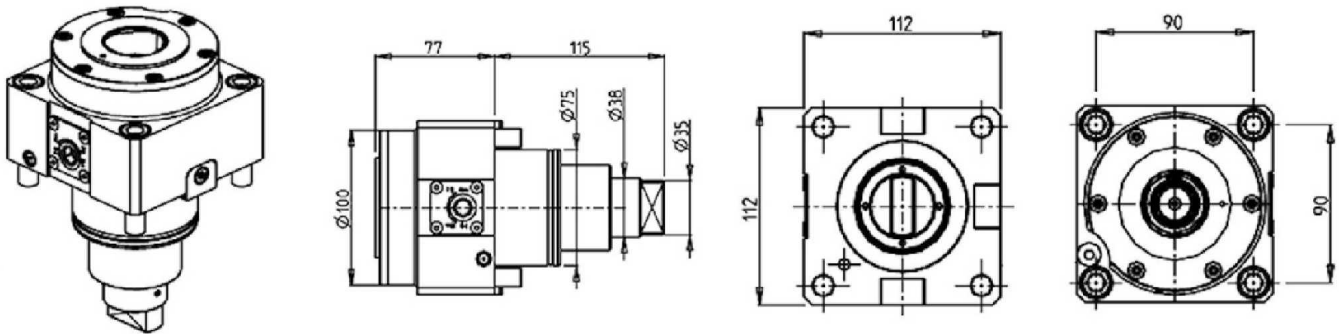
Note :

Wrenches are provided with the purchase of Specialty Toolholders

VL8 - VL10 - VLC500 - VM12 - VMC600 (BMT75)

CAPTO DRIVEN

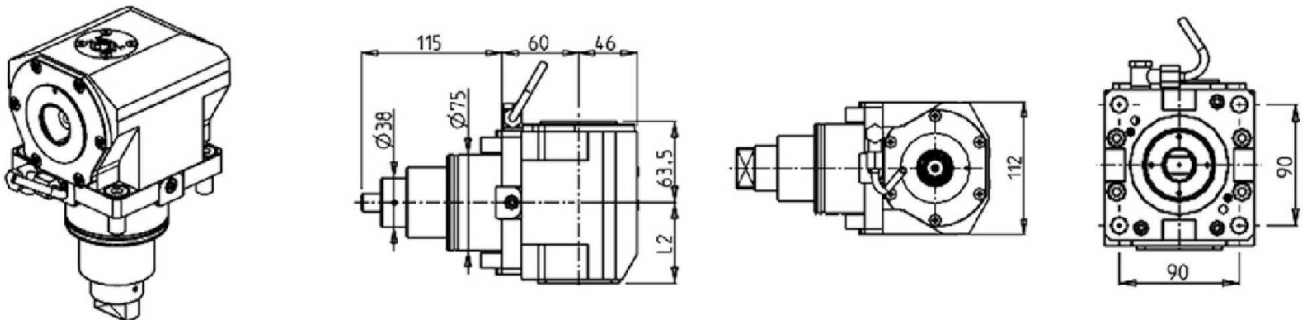
RADIAL DRIVEN TOOL CAPTO C5



Part Number	Description	Size	I	RPM	Cool Thru	Ext Cool
EMG0230250	Radial Driven Tool Capto C5 Cool Thru*	C5	1:1	6000	X	X

* Coolant Thru tools are designed for 1000 psi.
They require 5 Micron Filtration and **CANNOT** be run dry.

AXIAL DRIVEN TOOL CAPTO H=60mm



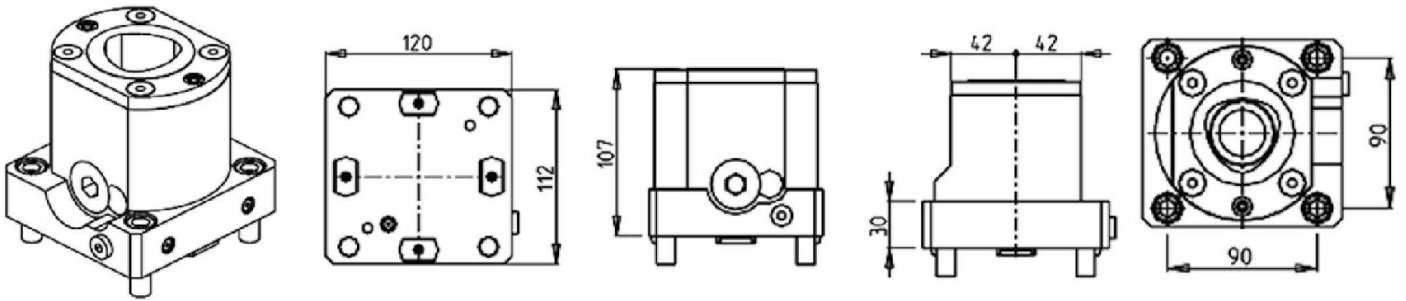
Part Number	Description	Size	I	RPM	Reversible	Cool Thru	Ext Cool	L2
EMG0240140	Axial Capto C4	C4	1:1	6000	X		X	63
EMG0240240	Axial Capto C4 Cool Thru*	C4	1:1	6000	X	X	X	75.5
EMG0240150	Axial Capto C5	C5	1:1	6000	X		X	63
EMG0240250	Axial Capto C5 Cool Thru*	C5	1:1	6000	X	X	X	75.5

* Coolant Thru tools are designed for 1000 psi.
They require 5 Micron Filtration and **CANNOT** be run dry.

VL8 - VL10 - VLC500 (BMT75)

CAPTO STATIC

RADIAL SINGLE STATIC TOOL CAPTO C6

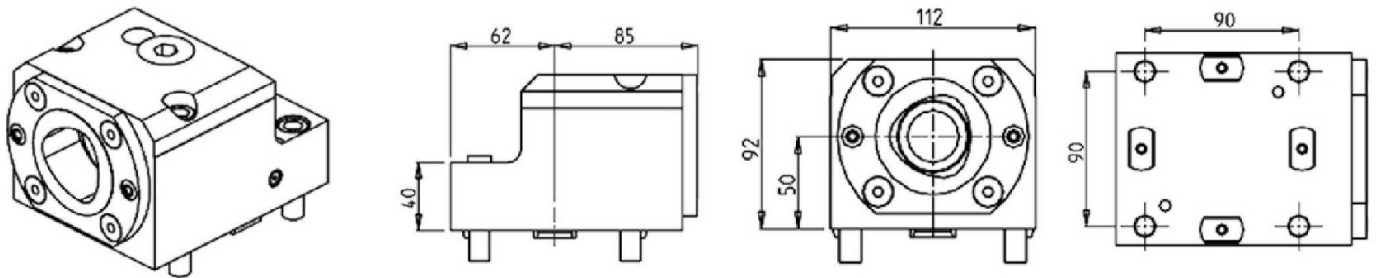


Part Number	Description	# of Tools	Cool Thru	Ext Cool	Size
DWO 3626010	Radial Single Static Capto C6 Right Hand	1	X	X	C6
DWO 3626010LC	Radial Single Static Capto C6 Left Hand	1	X	X	C6

VL8 - VL10 - VLC500 - VM12 - VMC600 (BMT75)

CAPTO STATIC

AXIAL SINGLE STATIC TOOL CAPTO C6

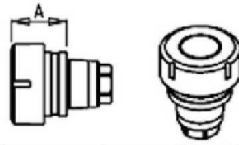


Part Number	Description	# of Tools	Cool Thru	Ext Cool	Reversible	Size
DWO 3636010	Axial Single Static Capto C6 Right Hand	1	X	X	X	C6
DWO 3636010LC	Axial Single Static Capto C6 Left Hand	1	X	X	X	C6

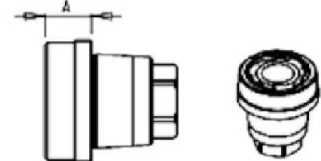
ACCESSORIES

DRIVEN

MTSK-40 ER ADAPTORS



Cod. MT	Mandrino Spindel	A
MTSK40A02	ER32	35.6
MTSK40A03	ER25	32.6
MTSK40A05	ER16	30.26
MTSK40A06	ER16	47.5
MTSK40A07	ER16	59
MTSK40A08	ER11	40
MTSK40A09	ER11	70



Cod. MT	Mandrino Spindel	A
MTSK40B02	ERA25	16
MTSK40B03	ERA20	14

Part Number	Description	Spindle	A
MTSK40A08	MTSK-40 Adaptor ER11	ER11	40
MTSK40A09	MTSK-40 Adaptor ER11	ER11	70
MTSK40A05	MTSK-40 Adaptor ER16	ER16	30.26
MTSK40A06	MTSK-40 Adaptor ER16	ER16	47.5
MTSK40A07	MTSK-40 Adaptor ER16	ER16	59
MTSK40B03	MTSK-40 Adaptor ERA20	ERA20	14
MTSK40B02	MTSK-40 Adaptor ERA25	ERA25	16
MTSK40A03	MTSK-40 Adaptor ER25	ER25	32.6
MTSK40A02	MTSK-40 Adaptor ER32	ER32	35.6

ACCESSORIES

DRIVEN

MTSK-40 MILL ADAPTORS



Cod. MT	Mano-ino Spindle	A
MTSK40D01	WELDON 6	8
MTSK40D21	WELDON 6	27.5
MTSK40D02	WELDON 8	8
MTSK40D03	WELDON 10	9
MTSK40D04	WELDON 12	14
MTSK40D05	WELDON 16	39.5
MTSK40D07	WELDON 20	39.5
MTSK40D24	WELDON 10	33
MTSK40D25	WELDON 12	35.5

Cod. MT	Mano-ino Spindle	A
MTSK40G03	MR25	33.6

Cod. MT	Mano-ino Spindle	Mano-ino Spindle	A	D	L
MTSK40C03	Ø 3/4"	inch	15	16	17
MTSK40C02	Ø 16x17	mm	15	16	17
MTSK40C04	Ø 22x19	mm	17	22	19
MTSK40C05	Ø 27x21	mm	22	27	21

Cod. MT	Mano-ino Spindle	A
MTSK40D11	WELDON 1/4"	8
MTSK40D12	WELDON 5/16"	8
MTSK40D13	WELDON 3/8"	9
MTSK40D14	WELDON 1/2"	14

Cod. MT	Mano-ino Spindle	A
MTSK40H01	MORSE-1	29
MTSK40H02	MORSE-2	42

Cod. MT	Mano-ino Spindle	Mano-ino Spindle	A	D	L
MTSK40T00	Ø 1/2"	inch	12	12"	6.5

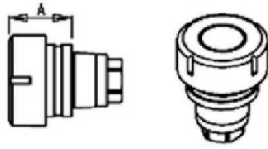
Cod. MT	Tagge di protezione
MTSK40T00	Ever Plug Abdeckkappe

Part Number	Description	Spindle	Dimension	A	D	L
MTSK40C03	MTSK-40 Adaptor Mill 3/4"	3/4"x3/4"	Inch	15.5	3/4"	3/4"
MTSK40C02	MTSK-40 Adaptor Mill Ø16x17	Ø16x17	mm	15	16	17
MTSK40C04	MTSK-40 Adaptor Mill Ø22x19	Ø22x19	mm	17	22	19
MTSK40C05	MTSK-40 Adaptor Mill Ø27x21	Ø27x21	mm	22	27	21
MTSK40F01	MTSK-40 Adaptor Mill 1/2"	1/2" Arbor	Inch	32	1/2"	6.5
MTSK40D11	MTSK-40 Adaptor Weldon 1/4"	Weldon 1/4"		8		
MTSK40D12	MTSK-40 Adaptor Weldon 5/16"	Weldon 5/16"		8		
MTSK40D13	MTSK-40 Adaptor Weldon 3/8"	Weldon 3/8"		9		
MTSK40D14	MTSK-40 Adaptor Weldon 1/2"	Weldon 1/2"		14		
MTSK40D01	MTSK-40 Adaptor Weldon 6	Weldon 6		8		
MTSK40D21	MTSK-40 Adaptor Weldon 6	Weldon 6		27.5		
MTSK40D02	MTSK-40 Adaptor Weldon 8	Weldon 8		8		
MTSK40D03	MTSK-40 Adaptor Weldon 10	Weldon 10		9		
MTSK40D24	MTSK-40 Adaptor Weldon 10	Weldon 10		33		
MTSK40D04	MTSK-40 Adaptor Weldon 12	Weldon 12		14		
MTSK40D25	MTSK-40 Adaptor Weldon 12	Weldon 12		35.5		
MTSK40D06	MTSK-40 Adaptor Weldon 16	Weldon 16		39.5		
MTSK40D07	MTSK-40 Adaptor Weldon 20	Weldon 20		39.5		
MTSK40H01	MTSK-40 Adaptor Morse 1	MORSE-1		29		
MTSK40H02	MTSK-40 Adaptor Morse 2	MORSE-2		42		
MTSK40G03	MTSK-40 Adaptor MR25	MR25		33.6		
MTSK40T00	MTSK-40 Cover Plug					

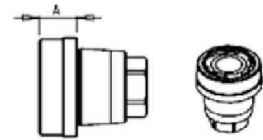
ACCESSORIES

DRIVEN

MTSK-50 ER ADAPTORS



Cod. MT	Mandrina Spindel	A
MTSK50A01	ER40	46.6
MTSK50A02	ER32	35.6
MTSK50A03	ER25	32.6
MTSK50A05	ER16	30.3



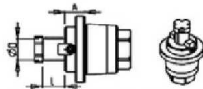
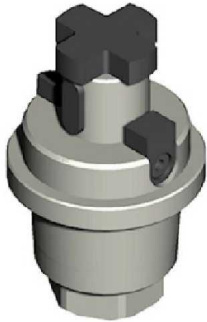
Cod. MT	Mandrina Spindel	A
MTSK50B01	ERA32	19
MTSK50B02	ERA25	14
MTSK50B03	ERA20	9

Part Number	Description	Spindle	A
MTSK50A05	MTSK-50 Adaptor ER16	ER16	30.3
MTSK50B03	MTSK-50 Adaptor ERA20	ERA20	9
MTSK50A03	MTSK-50 Adaptor ER25	ER25	32.6
MTSK50B02	MTSK-50 Adaptor ERA25	ERA25	14
MTSK50A02	MTSK-50 Adaptor ER32	ER32	35.6
MTSK50B01	MTSK-50 Adaptor ERA32	ERA32	19
MTSK50A01	MTSK-50 Adaptor ER40	ER40	46.6

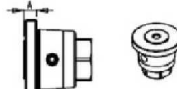
ACCESSORIES

DRIVEN

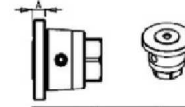
MTSK-50 MILL ADAPTORS



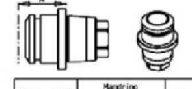
Cod. MT	Manifino Spindle Spline	Misure Dimensioni mm	A	D	L
MTSK50C02	Ø16x17	mm	15	16	17
MTSK50C03	Ø 3/4" x3/4"	Inch	15.5	3/4"	3/4"
MTSK50C04	Ø22x19	mm	17	22	19
MTSK50C05	Ø27x21	mm	19	27	21
MTSK50C06	Ø27x21	mm	19	27	21
MTSK50C07	Ø32x24	mm	24	32	24



Cod. MT	Manifino Spindle Spline	A
MTSK50D11	WELDON 1/4"	8
MTSK50D12	WELDON 5/16"	8
MTSK50D13	WELDON 3/8"	8
MTSK50D14	WELDON 1/2"	9
MTSK50D15	WELDON 5/8"	12



Cod. MT	Manifino Spindle Spline	A
MTSK50D01	WELDON 6	8
MTSK50D02	WELDON 8	8
MTSK50D03	WELDON 10	8
MTSK50D04	WELDON 12	9
MTSK50D05	WELDON 16	12
MTSK50D07	WELDON 20	40
MTSK50D08	WELDON 25	44



Cod. MT	Manifino Spindle Spline	A
MTSK50E01	POWGRIP PG25	40

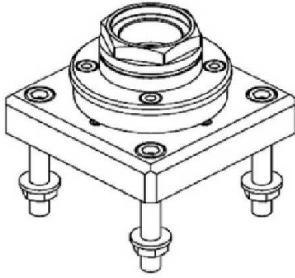
Cod. MT	Manifino Spindle Spline	A
MTSK50T00	Tappe di proiezione Cover Plug Abbrondato	

Part Number	Description	Spindle	Dimension	A	D	L
MTSK50C03	MTSK-50 Adaptor Mill 3/4"	3/4"x3/4"	Inch	15.5	3/4"	3/4"
MTSK50C05	MTSK-50 Adaptor Mill 1"x3/4"	1"x3/4"	Inch	19	1"	3/4"
MTSK50C02	MTSK-50 Adaptor Mill Ø16x17	Ø16x17	mm	15	16	17
MTSK50C04	MTSK-50 Adaptor Mill Ø22x19	Ø22x19	mm	17	22	19
MTSK50C06	MTSK-50 Adaptor Mill Ø27x21	Ø27x21	mm	19	27	21
MTSK50C07	MTSK-50 Adaptor Mill Ø32x24	Ø32x24	mm	24	32	24
MTSK50D11	MTSK-50 Adaptor Weldon 1/4"	Weldon 1/4"		8		
MTSK50D12	MTSK-50 Adaptor Weldon 5/16"	Weldon 5/16"		8		
MTSK50D13	MTSK-50 Adaptor Weldon 3/8"	Weldon 3/8"		8		
MTSK50D14	MTSK-50 Adaptor Weldon 1/2"	Weldon 1/2"		9		
MTSK50D15	MTSK-50 Adaptor Weldon 5/8"	Weldon 5/8"		12		
MTSK50D01	MTSK-50 Adaptor Weldon 6	Weldon 6		8		
MTSK50D02	MTSK-50 Adaptor Weldon 8	Weldon 8		8		
MTSK50D03	MTSK-50 Adaptor Weldon 10	Weldon 10		8		
MTSK50D04	MTSK-50 Adaptor Weldon 12	Weldon 12		9		
MTSK50D05	MTSK-50 Adaptor Weldon 16	Weldon 16		12		
MTSK50D07	MTSK-50 Adaptor Weldon 20	Weldon 20		40		
MTSK50D08	MTSK-50 Adaptor Weldon 25	Weldon 25		44		
MTSK50E01	MTSK-50 Adaptor POWERGRIP PG25	POWERGRIP PG25		40		
MTSK50T00	MTSK-50 Cover Plug					

ACCESSORIES

DRIVEN

TOOL DISASSEMBLING EQUIPMENT FOR MTSK



Cod. MT	TAGLIA Size Masse
ATT_MTSK32	MTSK-32
ATT_MTSK40	MTSK-40
ATT_MTSK50	MTSK-50
ATT_MTSK63	MTSK-63

Part Number	Description	Size
ATT_MTSK32	Tool Disassembling Equipment for MTSK-32	MTSK-32
ATT_MTSK40	Tool Disassembling Equipment for MTSK-40	MTSK-40
ATT_MTSK50	Tool Disassembling Equipment for MTSK-50	MTSK-50
ATT_MTSK63	Tool Disassembling Equipment for MTSK-63	MTSK-63

ER COLLETS

ER COLLET NUMBER	DESCRIPTION	MD LIST PRICE
ER20 SET	ER20 Collet Set (15 Collets)	\$ 330.00
ERX20 SET	ER20 Sealed Collet Set (13 Collets)	\$ 395.00
ER25 SET	ER25 Collet Set (19 Collets)	\$ 375.00
ERX25 SET	ER25 Sealed Collet Set (17 Collets)	\$ 475.00
ER32 SET	ER32 Collet Set (21 Collets)	\$ 425.00
ERX32 SET	ER32 Sealed Collet Set (21 Collets)	\$ 595.00
ER40 SET	ER40 Collet Set (29 Collets)	\$ 695.00
ERX40 SET	ER40 Sealed Collet Set (27 Collets)	\$ 850.00



Phone: (810) 632-4446 / Fax: (810) 632-4467

Table of Contents

Alphabetized Listing

(VL2 - VL2 P - VL4-V2 - VLC100 - VT2 - VTC100-4 (BMT55 SHORT)	1-3, 5
(0-180) ADJUSTABLE ANGLE DRIVEN TOOL GEARED-UP 1:2 H=72mm	16	VL2 - VL4-V2 - VLC100	4, 6
(0-180) ADJUSTABLE ANGLE DRIVEN TOOL GEARED-UP 1:2 WITH DIGITAL DISPLAY H=72mm	16	VL3 DUO - VL5 DUO - VL4-V3	7-11
(0-180) ADJUSTABLE ANGLE DRIVEN TOOL H=54mm	3, 8	VL6 - VM9 - VMC450 - VM9-4 - VMC450-4 (BMT65)	12-14, 18
(0-180) ADJUSTABLE ANGLE DRIVEN TOOL H=72mm	15	VL6 - VM9 - VMC450 (BMT65)	15-17
(0-180) ADJUSTABLE ANGLE DRIVEN TOOL WITH DIGITAL DISPLAY H=54mm	3, 9	VL8 - VL10 - VLC500 - VM12 - VMC600 (BMT75)	19-23
(0-180) ADJUSTABLE ANGLE DRIVEN TOOL WITH DIGITAL DISPLAY H=72mm	15	VL8 - VL10 - VLC500 (BMT75)	23
0			
0-180° ADJUSTABLE ANGLE DRIVEN TOOL	21		
A			
ACCESSORIES	24-28		
AXIAL DRIVEN TOOL CAPTO H=60mm	22		
AXIAL DRIVEN TOOL H=72mm	13		
AXIAL DRIVEN TOOL H=85mm	2, 8		
AXIAL REINFORCED DRIVEN TOOL H=60mm	20		
AXIAL REINFORCED DRIVEN TOOL H=72mm	13		
AXIAL SINGLE STATIC CAPTO TOOL	6, 11		
AXIAL SINGLE STATIC TOOL	4, 10, 17		
AXIAL SINGLE STATIC TOOL CAPTO C6	23		
C			
CAPTO DRIVEN	5, 22		
CAPTO STATIC	6, 11, 18, 23		
D			
DRIVEN	1-3, 7-9, 12-16, 19-21, 24-28		
M			
MTSK-40 ER ADAPTORS	24		
MTSK-40 MILL ADAPTORS	25		
MTSK-50 ER ADAPTORS	26		
MTSK-50 MILL ADAPTORS	27		
Q			
QUICK CHANGE AXIAL MTSK DRIVEN TOOL H=72mm	14		
QUICK CHANGE AXIAL MTSK REINFORCED DRIVEN TOOL H=60mm	20		
QUICK CHANGE AXIAL MTSK REINFORCED DRIVEN TOOL H=72mm	14		
QUICK CHANGE RADIAL MTSK DRIVEN TOOL	19		
QUICK CHANGE RADIAL MTSK REINFORCED DRIVEN TOOL	12		
R			
RADIAL DRIVEN TOOL	1, 7, 19		
RADIAL DRIVEN TOOL CAPTO C4	5		
RADIAL DRIVEN TOOL CAPTO C5	22		
RADIAL HSK DRIVEN TOOL	1		
RADIAL HSK GEARED-DOWN 2:1 DRIVEN TOOL RE-DIRECTED IN	1		
RADIAL REINFORCED DRIVEN TOOL	12		
RADIAL SINGLE BORING BAR HOLDER	4, 10		
RADIAL SINGLE STATIC CAPTO TOOL	6, 11, 18		
RADIAL SINGLE STATIC TOOL	4, 10		
RADIAL SINGLE STATIC TOOL CAPTO C6	23		
RADIAL SINGLE STATIC TOOL H=75mm	17		
RADIAL SINGLE STATIC TOOL H=90mm	17		
S			
See Accessories for MTSK Clamping Units	12, 14, 19-20		
STATIC	4, 10, 17		
T			
TOOL DISASSEMBLING EQUIPMENT FOR MTSK	28		
V			
VL2 - VL2 P - VL4-V2 - VLC100 - VT2 - VTC100-4	4		

Table of Contents

Part Number Index

A					
ATT_MTSK32	Tool Disassembling Equipment for MTSK-32	28	DWO 2660522	Display (0-180) Adj. Angle Ø22x19 with Digital Display	9
ATT_MTSK40	Tool Disassembling Equipment for MTSK-40	28	DWO 2675010	Radial Single Static Capto C5 Right Version	11
ATT_MTSK50	Tool Disassembling Equipment for MTSK-50	28	DWO 2675010LC	Radial Single Static Capto C5 Right Version	6
ATT_MTSK63	Tool Disassembling Equipment for MTSK-63	28	DWO 2675010LC	Radial Single Static Capto C5 Left Version	6
D					
DWO 0482500	Radial Single Static 25mm	17	DWO 2675010LC	Radial Single Static Capto C5 Left Version	11
DWO 0482540	Radial Single Static 1"	17	DWO 3045010	Radial Single Static Capto C5 Right Version	18
DWO 1422500	Radial Single Static 25mm	17	DWO 3045010LC	Radial Single Static Capto C5 Left Version	18
DWO 1422510	Radial Single Static 25mm Cool Thru*	17	DWO 3462510	Axial Single Static 25mm Cool Thru*	17
DWO 1452500	Axial Single Static 25mm	17	DWO 3626010	Radial Single Static Capto C6 Right Hand	23
DWO 1452540	Axial Single Static 1"	17	DWO 3626010LC	Radial Single Static Capto C6 Left Hand	23
DWO 1660140	Radial Driven Tool HSK-40	1	DWO 3636010	Axial Single Static Capto C6 Right Hand	23
DWO 1740140	Radial Geared-Down 2:1 HSK-40	1	DWO 3636010LC	Axial Single Static Capto C6 Left Hand	23
DWO 2010132	Radial Driven Tool ER32	1	DWO 3665010	Radial Single Static Capto C5 Right Version	11
DWO 2010325	Radial Driven Tool ERA25	1	DWO 3665010	Radial Single Static Capto C5 Right Version	6
DWO 2010425	Radial Driven Tool ERA25 Cool Thru*	1	DWO 3665010LC	Radial Single Static Capto C5 Left Version	6
DWO 2040125	Axial Driven Tool ER25	2	DWO 3665010LC	Radial Single Static Capto C5 Left Version	11
DWO 2040132	Axial Driven Tool ER32	2	DWO 3675010	Axial Single Static Tool Capto C5 Right Hand	11
DWO 2040140	Axial Driven Tool ER40	2	DWO 3675010	Axial Single Static Tool Capto C5 Right Hand	6
DWO 2040225	Axial Driven Tool ER25 Cool Thru	2	DWO 3675010LC	Axial Single Static Tool Capto C5 Left Hand	6
DWO 2040232	Axial Driven Tool ER32 Cool Thru	2	DWO 3675010LC	Axial Single Static Tool Capto C5 Left Hand	11
DWO 2040240	Axial Driven Tool ER40 Cool Thru	2	DWO 4020240	Radial Driven Tool Capto C4	5
DWO 2040325	Axial Driven Tool ERA25	2	DWO 4202000	Radial Single Static 20mm	17
DWO 2040425	Axial Driven Tool ERA25 Cool Thru	2	DWO 4282540	Radial Single Static 1"	17
DWO 2040516	Axial Mill Head Ø16x17	2	E		
DWO 2040522	Axial Mill Head Ø22x19	2	EMG0040132	Radial Reinforced ER32	12
DWO 2040527	Axial Mill Head Ø27x21	2	EMG0040140	Radial Reinforced ER40	12
DWO 2064000	Radial Single Boring Bar Holder 40mm	4	EMG0040625	Radial Reinforced Weldon 25 Cool Thru	12
DWO 2064000	Radial Single Boring Bar Holder 40mm	10	EMG0040827	Radial Reinforced Mill Head Ø27x21 Cool Thru	12
DWO 2072000	Axial Single Static Tool 20mm	4	EMG0050140	Axial Driven Tool MTSK-40	14
DWO 2072000	Axial Single Static Tool 20mm	10	EMG0050150	Axial Driven Tool MTSK-50	14
DWO 2082000	Radial Single Static Tool 20mm	10	EMG0050240	Axial Driven Tool MTSK-40 Cool Thru	14
DWO 2082000	Radial Single Static Tool 20mm	4	EMG0050250	Axial Driven Tool MTSK-50 Cool Thru	14
DWO 2100120	(0-180) Adj. Angle ER20	3	EMG0060140	Radial Reinforced MTSK-40	12
DWO 2100125	(0-180) Adj. Angle ER25	3	EMG0060150	Radial Reinforced MTSK-50	12
DWO 2100516	(0-180) Adj. Angle Ø16x17	3	EMG0090125	Axial Driven Tool ER25	13
DWO 2100519	(0-180) Adj. Angle Ø3/4"x3/4"	3	EMG0090132	Axial Driven Tool ER32	13
DWO 2100522	(0-180) Adj. Angle Ø22x19	3	EMG0090140	Axial Driven Tool ER40	13
DWO 2110120	(0-180) Adj. Angle ER20 with Digital Display	3	EMG0090225	Axial Driven Tool ER25 Cool Thru	13
DWO 2110125	(0-180) Adj. Angle ER25 with Digital Display	3	EMG0090232	Axial Driven Tool ER32 Cool Thru	13
DWO 2110516	(0-180) Adj. Angle Ø16x17 with Digital Display	3	EMG0090240	Axial Driven Tool ER40 Cool Thru	13
DWO 2110519	(0-180) Adj. Angle Ø3/4"x3/4" with Digital Display	3	EMG0090325	Axial Driven Tool ERA25	13
DWO 2110522	(0-180) Adj. Angle Ø22x19 with Digital Display	3	EMG0090425	Axial Driven Tool ERA25 Cool Thru	13
DWO 2370132	Radial Driven Tool ER32	7	EMG0090516	Axial Mill Head Ø16x17	13
DWO 2370325	Radial Driven Tool ERA25	7	EMG0090522	Axial Mill Head Ø22x19	13
DWO 2370425	Radial Driven Tool ERA25 Cool Thru	7	EMG0090527	Axial Mill Head Ø27x21	13
DWO 2620125	Axial Driven Tool ER25	8	EMG0100132	Axial Reinforced ER32	13
DWO 2620132	Axial Driven Tool ER32	8	EMG0100232	Axial Reinforced ER32 Cool Thru	13
DWO 2620140	Axial Driven Tool ER40	8	EMG0100725	Axial Reinforced Weldon 25	13
DWO 2620225	Axial Driven Tool ER25 Cool Thru	8	EMG0100825	Axial Reinforced Weldon 25 Cool Thru	13
DWO 2620232	Axial Driven Tool ER32 Cool Thru	8	EMG0110150	Axial Reinforced MTSK-50	14
DWO 2620240	Axial Driven Tool ER40 Cool Thru	8	EMG0110250	Axial Reinforced MTSK-50 Cool Thru	14
DWO 2620325	Axial Driven Tool ERA25	8	EMG0120120	(0-180) Adj. Angle ERA20	15
DWO 2620425	Axial Driven Tool ERA25 Cool Thru	8	EMG0120220	(0-180) Adj. Angle ERA20 Cool Thru	15
DWO 2620516	Axial Mill Head Ø16x17	8	EMG0120316	(0-180) Adj. Angle Geared-Up 1:2 ERA16	16
DWO 2620522	Axial Mill Head Ø22x19	8	EMG0120416	(0-180) Adj. Angle Geared-Up 1:2 ERA16 Cool Thru	16
DWO 2620527	Axial Mill Head Ø27x21	8	EMG0125120	(0-180) Adj. Angle ERA20 with Digital Display	15
DWO 2650120	(0-180) Adj. Angle ER20	8	EMG0125220	(0-180) Adj. Angle ERA20 with Digital Display Cool Thru	15
DWO 2650125	(0-180) Adj. Angle ER25	8	EMG0125316	(0-180) Adj. Angle Geared-Up 1:2 ERA16 with Digital Display	16
DWO 2650516	(0-180) Adj. Angle Ø16x17	8	EMG0125416	(0-180) Adj. Angle Geared-Up 1:2 ERA16 with Digital Display Cool Thru	16
DWO 2650519	(0-180) Adj. Angle Ø3/4"x3/4"	8	EMG0150232	Radial Reinforced ER32 Cool Thru	12
DWO 2650522	(0-180) Adj. Angle Ø22x19	8	EMG0150240	Radial Reinforced ER40 Cool Thru	12
DWO 2660120	(0-180) Adj. Angle ER20 with Digital Display	9	EMG0160240	Radial Reinforced MTSK-40 Cool Thru	12
DWO 2660125	(0-180) Adj. Angle ER25 with Digital Display	9			
DWO 2660516	(0-180) Adj. Angle Ø16x17 with Digital Display	9			
DWO 2660519	(0-180) Adj. Angle 3/4"x3/4" with Digital Display	9			

Table of Contents

Part Number Index

EMG0160250	Radial Reinforced MTSK-50 Cool Thru	12	MTSK50D08	MTSK-50 Adaptor Weldon 25	27
EMG0180140	0-180° Adj. Angle ER40	21	MTSK50D11	MTSK-50 Adaptor Weldon 1/4"	27
EMG0180240	0-180° Adj. Angle ER40 Cool Thru*	21	MTSK50D12	MTSK-50 Adaptor Weldon 5/16"	27
EMG0180332	0-180° Adj. Angle ERA32	21	MTSK50D13	MTSK-50 Adaptor Weldon 3/8"	27
EMG0180432	0-180° Adj. Angle ERA32 Cool Thru*	21	MTSK50D14	MTSK-50 Adaptor Weldon 1/2"	27
EMG0190140	Radial Driven Tool ER40	19	MTSK50D15	MTSK-50 Adaptor Weldon 5/8"	27
EMG0190240	Radial Driven Tool ER40 Cool Thru*	19	MTSK50E01	MTSK-50 Adaptor POWERGRIP PG25	27
EMG0200150	Radial MTSK-50 Driven Tool	19	MTSK50T00	MTSK-50 Cover Plug	27
EMG0210140	Axial ER40	20			
EMG0210240	Axial ER40 Cool Thru*	20			
EMG0210522	Axial Mill Head Ø22x19	20			
EMG0210725	Axial Weldon 25	20			
EMG0210825	Axial Weldon 25 Cool Thru*	20			
EMG0220150	Axial MTSK-50 Driven Tool	20			
EMG0220250	Axial MTSK-50 Driven Tool Cool Thru*	20			
EMG0230250	Radial Driven Tool Capto C5 Cool Thru*	22			
EMG0240140	Axial Capto C4	22			
EMG0240150	Axial Capto C5	22			
EMG0240240	Axial Capto C4 Cool Thru*	22			
EMG0240250	Axial Capto C5 Cool Thru*	22			
M					
MTSK40A02	MTSK-40 Adaptor ER32	24			
MTSK40A03	MTSK-40 Adaptor ER25	24			
MTSK40A05	MTSK-40 Adaptor ER16	24			
MTSK40A06	MTSK-40 Adaptor ER16	24			
MTSK40A07	MTSK-40 Adaptor ER16	24			
MTSK40A08	MTSK-40 Adaptor ER11	24			
MTSK40A09	MTSK-40 Adaptor ER11	24			
MTSK40B02	MTSK-40 Adaptor ERA25	24			
MTSK40B03	MTSK-40 Adaptor ERA20	24			
MTSK40C02	MTSK-40 Adaptor Mill Ø16x17	25			
MTSK40C03	MTSK-40 Adaptor Mill 3/4"	25			
MTSK40C04	MTSK-40 Adaptor Mill Ø22x19	25			
MTSK40C05	MTSK-40 Adaptor Mill Ø27x21	25			
MTSK40D01	MTSK-40 Adaptor Weldon 6	25			
MTSK40D02	MTSK-40 Adaptor Weldon 8	25			
MTSK40D03	MTSK-40 Adaptor Weldon 10	25			
MTSK40D04	MTSK-40 Adaptor Weldon 12	25			
MTSK40D06	MTSK-40 Adaptor Weldon 16	25			
MTSK40D07	MTSK-40 Adaptor Weldon 20	25			
MTSK40D11	MTSK-40 Adaptor Weldon 1/4"	25			
MTSK40D12	MTSK-40 Adaptor Weldon 5/16"	25			
MTSK40D13	MTSK-40 Adaptor Weldon 3/8"	25			
MTSK40D14	MTSK-40 Adaptor Weldon 1/2"	25			
MTSK40D21	MTSK-40 Adaptor Weldon 6	25			
MTSK40D24	MTSK-40 Adaptor Weldon 10	25			
MTSK40D25	MTSK-40 Adaptor Weldon 12	25			
MTSK40F01	MTSK-40 Adaptor Mill 1/2"	25			
MTSK40G03	MTSK-40 Adaptor MR25	25			
MTSK40H01	MTSK-40 Adaptor Morse 1	25			
MTSK40H02	MTSK-40 Adaptor Morse 2	25			
MTSK40T00	MTSK-40 Cover Plug	25			
MTSK50A01	MTSK-50 Adaptor ER40	26			
MTSK50A02	MTSK-50 Adaptor ER32	26			
MTSK50A03	MTSK-50 Adaptor ER25	26			
MTSK50A05	MTSK-50 Adaptor ER16	26			
MTSK50B01	MTSK-50 Adaptor ERA32	26			
MTSK50B02	MTSK-50 Adaptor ERA25	26			
MTSK50B03	MTSK-50 Adaptor ERA20	26			
MTSK50C02	MTSK-50 Adaptor Mill Ø16x17	27			
MTSK50C03	MTSK-50 Adaptor Mill 3/4"	27			
MTSK50C04	MTSK-50 Adaptor Mill Ø22x19	27			
MTSK50C05	MTSK-50 Adaptor Mill 1"x3/4"	27			
MTSK50C06	MTSK-50 Adaptor Mill Ø27x21	27			
MTSK50C07	MTSK-50 Adaptor Mill Ø32x24	27			
MTSK50D01	MTSK-50 Adaptor Weldon 6	27			
MTSK50D02	MTSK-50 Adaptor Weldon 8	27			
MTSK50D03	MTSK-50 Adaptor Weldon 10	27			
MTSK50D04	MTSK-50 Adaptor Weldon 12	27			
MTSK50D05	MTSK-50 Adaptor Weldon 16	27			
MTSK50D07	MTSK-50 Adaptor Weldon 20	27			