

DRIVEN and STATIC TOOLING
For
HURCO BMT



10139 BERGIN RD.
HOWELL, MI 48843
PHONE : 877-91-TOOLS (810-632-4446)
FAX: 877-92-TOOLS (810-632-4467)
EMAIL: info@mdtooling.com
WEBSITE: www.mdtooling.com

ATTENTION

Please check dimensional information to be sure of any clearance or interference issues.

If you are unsure please call our office and one of our engineers would be more than happy to help you.



Live Tooling



M. T. Marchetti, a major live tool manufacturer in northern Italy, is a leader in live tool technology. The formula is simple. Use only the best angular contact high-speed bearings available. Add to this an exacting tolerances for all ground shafts, gears and bearing pocket features. Next, develop a sealed system that **will not** allow any contamination from chips or coolant.

Top this all off with a superior design and you end up with a live tool that is more rigid, faster and will last longer. **We back this up with a 2-Year factory warranty.**

Our Live Tool Warranty

Our tooling will give years of service in the most demanding applications. The superior design and rugged construction has proven this over the last 12 years. The reliability of our tools allows us to provide a 2-year factory warranty, for non-wear components.

MD Tooling will repair any defective tool holders for a period of 2 years from the date of purchase.

Product Range

We have the largest range of live tooling available for most major machine tool manufactures.

Our available products include an extensive line of standard live tooling as well as specialty tool holders such as 0-180 adjustable angle tool holders, gear hobbors, and even worm gear generators. Our product range includes geared up holders to 60,000 RPM and are engineered for 1,000 PSI coolant through.

We are an industry leader in providing complete tooling solutions with hundreds of static tool options as well.

Technical Support

Here at MD Tooling we have a full technical support department with over 35 years of CNC experience.

Our highly qualified staff can help with part processing, tooling up a job from a blue print and even assist with part programming. Applications Engineers are always available by phone to answer any questions you may have about our tooling or any other CNC related issue.

Stock and Replenishment

MD Tooling maintains an extensive inventory of tooling in our warehouse in Michigan. Our current "fill" rate on orders is 93% from our stock in Michigan for same day shipping.

Should you require a non-stock item, our manufacturer, M.T. Marchetti also maintains a large inventory in Italy. Tooling can be obtained in as little as 3-5 business days.

Shipping

MD Tooling realizes that when you need tooling, often you can't wait until the next day. We process orders and ship from available stock right up until 4PM EST to make certain we get your tooling solutions to you as quickly as possible.

We regularly ship throughout the day via UPS, FedEx or any other carrier that a customer requests.



10139 Bergin Road
Howell, MI 48843
Phone: (810) 632-4446
Fax: (810) 632-4467
Email: info@mdtooling.com
Web: www.mdtooling.com

- Fast, Friendly, Reliable Service!
- Quality tooling at highly competitive pricing.
- 2-Year Warranty on all live tools.
- Extensive inventory. We currently ship over 93% of all orders same day.
- In-house repair services available.
- If a warranty tool needs to be returned for inspection, service or repair, loaner tools are available to keep your machine tool production up and running.
- More specialty tool holders than any other manufacturer.
- Custom tool holders available.
- All available tooling may not be shown in this catalog. If you can't find the holder you're looking for, please contact our office for assistance.



Table of Contents

Categorized Listing

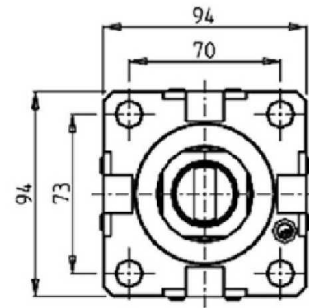
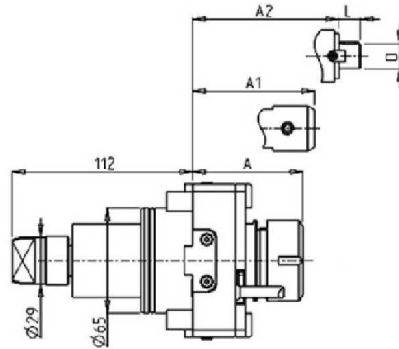
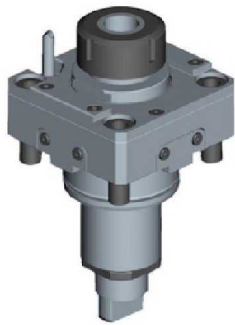
TMX8MYi - TMX8MYSi - TMX10MYi	
TMX10MYSi (BMT65)	1
DRIVEN	1
RADIAL REINFORCED DRIVEN TOOL	1
QUICK CHANGE RADIAL MTSK REINFORCED DRIVEN TOOL	1
RADIAL GEARED-DOWN 2:1 DRIVEN TOOL REDIRECTED IN Z BY 80mm	2
RADIAL GEARED-UP 1:2 DRIVEN TOOL REDIRECTED IN Z BY 36mm	2
RADIAL SINGLE-SIDE TWIN HEAD DRIVEN TOOL IN Y-AXIS	2
RADIAL SINGLE SIDE 3 OUTLET DRIVEN TOOL IN Y	3
RADIAL INVERTED DRIVEN TOOL REDIRECTED IN Z BY 250mm	3
AXIAL DRIVEN TOOL H=72mm	4
AXIAL REINFORCED DRIVEN TOOL H=72mm	4
QUICK CHANGE AXIAL MTSK DRIVEN TOOL H=72mm	5
QUICK CHANGE AXIAL MTSK REINFORCED DRIVEN TOOL H=72mm	5
AXIAL DRIVEN TOOL H=85mm	6
AXIAL REINFORCED DRIVEN TOOL H=85mm	6
QUICK CHANGE AXIAL MTSK DRIVEN TOOL H=85mm	7
QUICK CHANGE AXIAL MTSK REINFORCED DRIVEN TOOL H=85mm	7
AXIAL DRIVEN TOOL H=95mm	8
AXIAL REINFORCED DRIVEN TOOL H=95mm	8
AXIAL REAR-SET DRIVEN TOOL H=95mm	9
QUICK CHANGE AXIAL MTSK DRIVEN TOOL H=95mm	9
QUICK CHANGE AXIAL MTSK REINFORCED DRIVEN TOOL H=95mm	10
AXIAL DRIVEN TOOL H=100mm	11
AXIAL REINFORCED DRIVEN TOOL H=100mm	12
QUICK CHANGE AXIAL MTSK DRIVEN TOOL H=100mm	13
QUICK CHANGE AXIAL MTSK REINFORCED DRIVEN TOOL H=100mm	13
AXIAL GEARED-DOWN 2:1 DRIVEN TOOL H=100mm	14
AXIAL GEARED-UP 1:2 DRIVEN TOOL H=72mm	14
AXIAL GEARED-UP 1:2 DRIVEN TOOL H=100mm	15
AXIAL OPPOSITE FACE DRIVEN TOOL H=72mm	15
AXIAL OPPOSITE FACE DRIVEN TOOL H=85mm	15
AXIAL OPPOSITE FACE DRIVEN TOOL H=95mm	16
AXIAL OPPOSITE FACE DRIVEN TOOL H=100mm	16
AXIAL SINGLE SIDE TWIN HEAD DRIVEN TOOL IN Y H=72mm	17
AXIAL SINGLE SIDE TWIN HEAD DRIVEN TOOL IN Y H=85mm	17
AXIAL SINGLE SIDE TWIN HEAD DRIVEN TOOL IN Y H=100mm	18
0-180 ADJUSTABLE ANGLE DRIVEN TOOL H=54mm	19
0-180 ADJUSTABLE ANGLE DRIVEN TOOL WITH DIGITAL DISPLAY H=54mm	19
0-180 ADJUSTABLE ANGLE DRIVEN TOOL H=100mm	20
0-180 ADJUSTABLE ANGLE DRIVEN TOOL WITH DIGITAL DISPLAY H=100mm	20
0-180 ADJUSTABLE ANGLE DRIVEN TOOL H=72mm	21
0-180 ADJUSTABLE ANGLE DRIVEN TOOL WITH DIGITAL DISPLAY H=72mm	21
0-180 ADJUSTABLE ANGLE DRIVEN TOOL GEARED-UP 1:2 H=72mm	22
0-180 ADJUSTABLE ANGLE DRIVEN TOOL GEARED-UP 1:2 WITH DIGITAL DISPLAY H=72mm	22
DRIVEN GEAR HOBBER	23
GEAR HOBBER - REINFORCED	23
QUICK CHANGE AXIAL MTSK-40 DRIVEN TOOL FOR POWER SKIVING H=100mm	24
BROACHING/SLOTTING TOOL 50mm STROKE H=100mm	24
BROACHING/SLOTTING TOOL 50mm STROKE H=85mm	24
BROACHING/SLOTTING TOOL 25mm STROKE H=100mm	25
BROACHING/SLOTTING TOOL 25mm STROKE H=85mm	25
WORM GEAR DRIVEN TOOL	26
STATIC	27
RADIAL SINGLE STATIC TOOL H=75mm	27
RADIAL SINGLE STATIC TOOL H=90mm	27
RADIAL REAR-SET SINGLE STATIC TOOL	27
RADIAL DOUBLE STATIC TOOL H=90mm	28
RADIAL DOUBLE STATIC TOOL H=75mm	28

RADIAL DOUBLE SIDE TWIN STATIC TOOL	28
RADIAL MULTIPLE STATIC TOOL	29
RADIAL BLADE HOLDER WITH BLADE KIT	29
RADIAL BLADE HOLDER WITH INTERNAL COOLANT-BLADE KIT NOT INCLUDED	29
AXIAL SINGLE STATIC TOOL	30
AXIAL SINGLE BORING BAR HOLDER H=72mm	30
AXIAL SINGLE BORING BAR HOLDER H=72mm	31
AXIAL SINGLE BORING BAR HOLDER 40mm H=100mm	31
AXIAL SINGLE BORING BAR HOLDER 50mm H=100mm	31
AXIAL SINGLE BORING BAR HOLDER 60mm H=100mm	32
AXIAL REAR SET BORING BAR HOLDER H=85mm	33
AXIAL DOUBLE BORING BAR HOLDER	33
AXIAL 4 + 4 POSITION BORING BAR HOLDER	34
TAILSTOCK FOR SUBSPINDLE	34
DRIVEN	35
RADIAL DRIVEN TOOL CAPTO C4	35
AXIAL DRIVEN TOOL CAPTO C4 H=72mm	35
AXIAL DRIVEN TOOL CAPTO C4 H=85mm	36
AXIAL DRIVEN TOOL CAPTO C4 H=95mm	36
AXIAL DRIVEN TOOL CAPTO C4 H=100mm	37
AXIAL OPPOSITE FACE TWIN DRIVEN TOOL CAPTO C4 H=85mm	37
AXIAL OPPOSITE FACE TWIN DRIVEN TOOL CAPTO C4 H=100mm	37
STATIC	38
RADIAL DOUBLE STATIC TOOL WITH SEAT FOR CAPTO CONNECTION	38
RADIAL TOOL WITH SEAT FOR CAPTO CONNECTION	38
RADIAL SINGLE REAR-SET STATIC CAPTO C4	39
RADIAL SINGLE REAR-SET STATIC CAPTO C5	39
RADIAL SINGLE REAR-SET STATIC CAPTO C6	40
RADIAL MULTIPLE STATIC TOOL CAPTO C4	40
RADIAL DOUBLE STATIC TOOL CAPTO C4	40
AXIAL SINGLE STATIC TOOL CAPTO C4	41
AXIAL SINGLE STATIC TOOL CAPTO C4	41
AXIAL SINGLE STATIC TOOL CAPTO C5	42
AXIAL SINGLE STATIC TOOL CAPTO C6	42
AXIAL OPPOSITE FACE REAR-SET TWIN STATIC CAPTO C4	42
ACCESSORIES	43
DRIVEN	43
MTSK-40 ER ADAPTORS	43
MTSK-40 MILL ADAPTORS	44
MTSK-50 ER ADAPTORS	45
MTSK-50 MILL ADAPTORS	46

TMX8MYi - TMX8MYSi - TMX10MYi - TMX10MYSi (BMT65)

DRIVEN

RADIAL REINFORCED DRIVEN TOOL

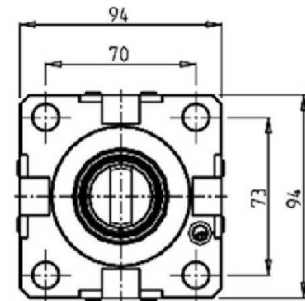
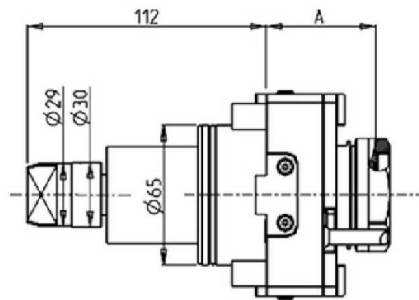
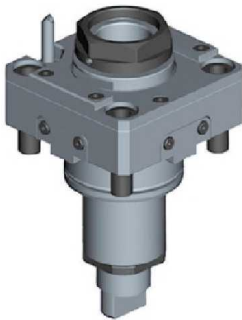


Part Number	Description	Spindle	I	RPM	Cool Thru	Ext. Cool	A	A1	A2	D	L
DWO 1540132	Radial Reinforced ER32	ER32	1:1	6000		X	68.7				
DWO 3470232	Radial Reinforced ER32 Cool Thru*	ER32	1:1	6000	70 BAR	X	79.2				
DWO 1540140	Radial Reinforced ER40	ER40	1:1	6000		X	71.7				
DWO 3470240	Radial Reinforced ER40 Cool Thru*	ER40	1:1	6000	70 BAR	X	82.2				
DWO 1540827	Radial Reinforced 27x21mm Cool Thru*	27x21	1:1	6000	30 BAR	X				56.5	21
DWO 1540625	Radial Reinforced Weldon 25 Cool Thru*	Weldon 25	1:1	6000	30 BAR	X				72.5	

* Coolant Thru tools are designed for 400/1000 psi.
They require 5 Micron Filtration and **CANNOT** be run dry.
30 BAR=400 PSI 70 BAR=1000 PSI

QUICK CHANGE RADIAL MTSK REINFORCED DRIVEN TOOL

See Accessories for MTSK Quick Change Tool Holder Clamps



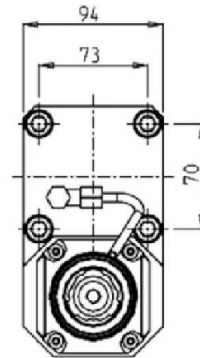
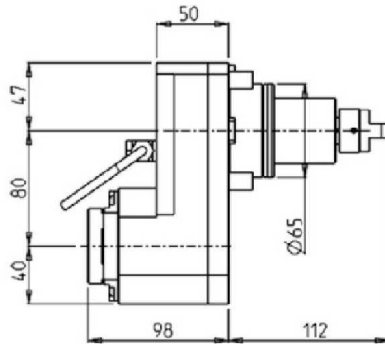
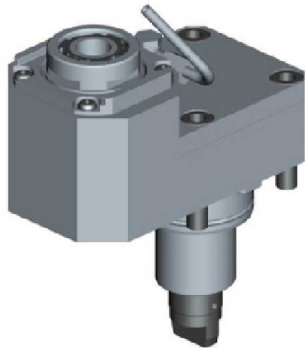
Part Number	Description	Spindle	I	RPM	Cool Thru	Ext. Cool	A
DWO 1550140	Radial MTSK-40 Reinforced	MTSK-40	1:1	6000		X	51.5
DWO 3480240	Radial MTSK-40 Reinforced Cool Thru*	MTSK-40	1:1	6000	X	X	62.5
DWO 1550150	Radial MTSK-50 Reinforced	MTSK-50	1:1	6000		X	51.5
DWO 3480250	Radial MTSK-50 Reinforced Cool Thru*	MTSK-50	1:1	6000	X	X	62.5

* Coolant Thru tools are designed for 1000 psi.
They require 5 Micron Filtration and **CANNOT** be run dry.

TMX8MYi - TMX8MYSi - TMX10MYi - TMX10MYSi (BMT65)

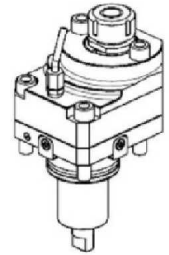
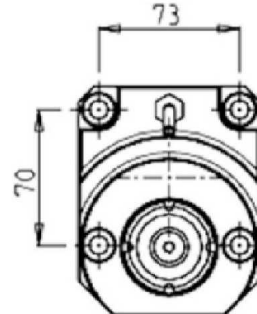
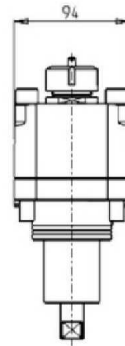
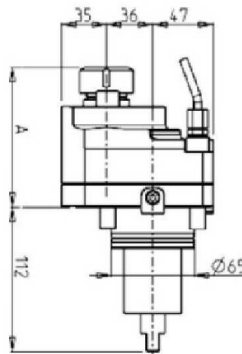
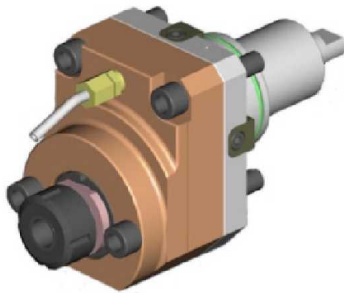
DRIVEN

RADIAL GEARED-DOWN 2:1 DRIVEN TOOL REDIRECTED IN Z BY 80mm



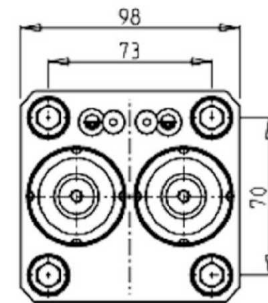
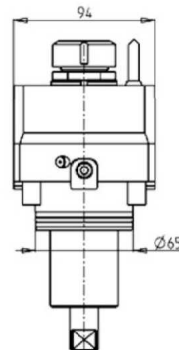
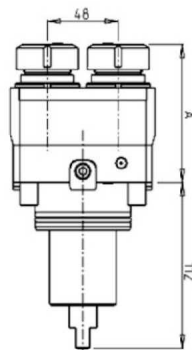
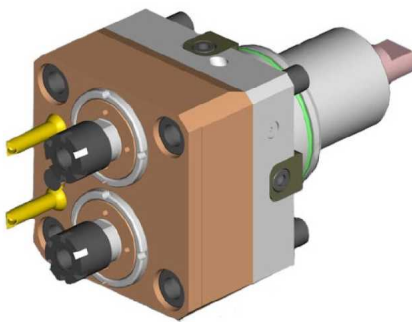
Part Number	Description	Spindle	I	RPM	Reversible	Ext. Cool
DWO 1580332	Radial Geared-Down 2:1 Redirected 80mm in Z	ERA32	2:1	3000	X	X

RADIAL GEARED-UP 1:2 DRIVEN TOOL REDIRECTED IN Z BY 36mm



Part Number	Description	Reversible	Spindle	I	RPM	Ext. Cool	A
DWO 0140125	Geared-Up 1:2 Redirected 36mm ER25	X	ER25	1:2	12000	X	108.56

RADIAL SINGLE-SIDE TWIN HEAD DRIVEN TOOL IN Y-AXIS

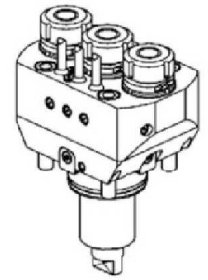
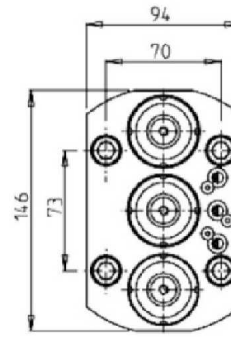
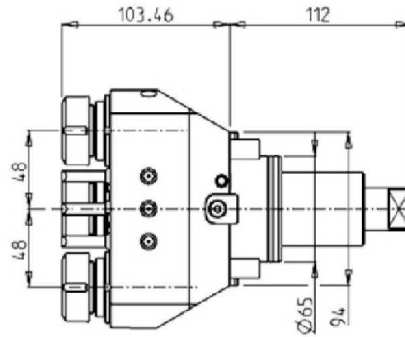
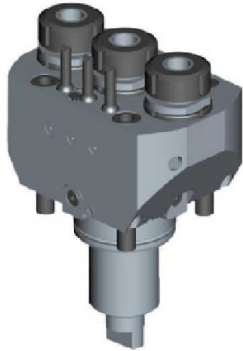


Part Number	Description	Spindle	I	RPM	Ext. Cool	A
DWO 0540216	Radial Y-Axis Double Outlet ER16	ER16	1:1	6000	X	84.5
DWO 0540225	Radial Y-Axis Double Outlet ER25	ER25	1:1	6000	X	85

TMX8MYi - TMX8MYSi - TMX10MYi - TMX10MYSi (BMT65)

DRIVEN

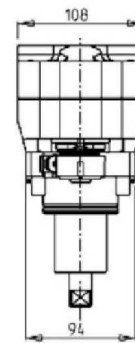
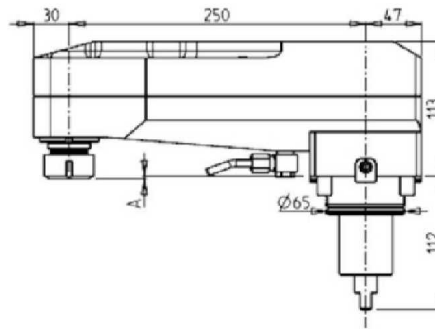
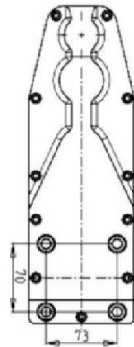
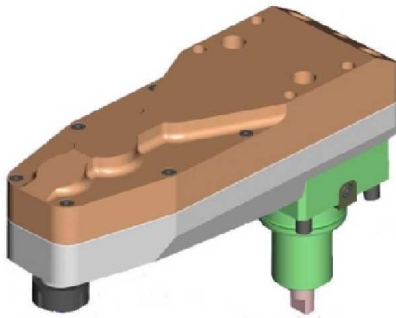
RADIAL SINGLE SIDE 3 OUTLET DRIVEN TOOL IN Y



Part Number	Description	Spindle	I	RPM	Ext. Cool
DWO 1350325	Radial ER25 Single Side 3 Outlet in Y	ER25	1:1	6000	X

Note : Wrenches are provided with the purchase of Specialty Toolholders

RADIAL INVERTED DRIVEN TOOL REDIRECTED IN Z BY 250mm

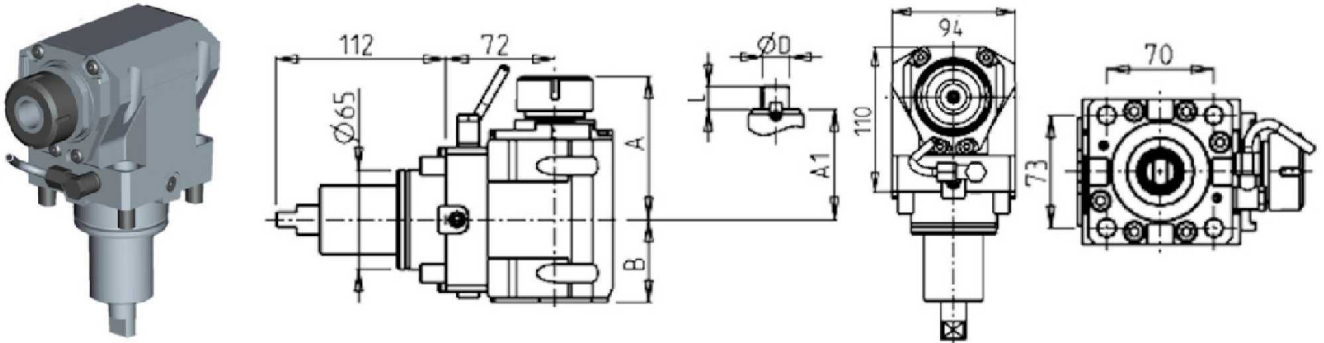


Part Number	Description	Spindle	I	RPM	Ext. Cool	A
0700025	Radial Inverted 250mm Interaxis ER25	ER25	1:2	12000	X	2.16
0700032	Radial Inverted 250mm Interaxis ER32	ER32	1:2	12000	X	14.66

TMX8MYi - TMX8MYSi - TMX10MYi - TMX10MYSi (BMT65)

DRIVEN

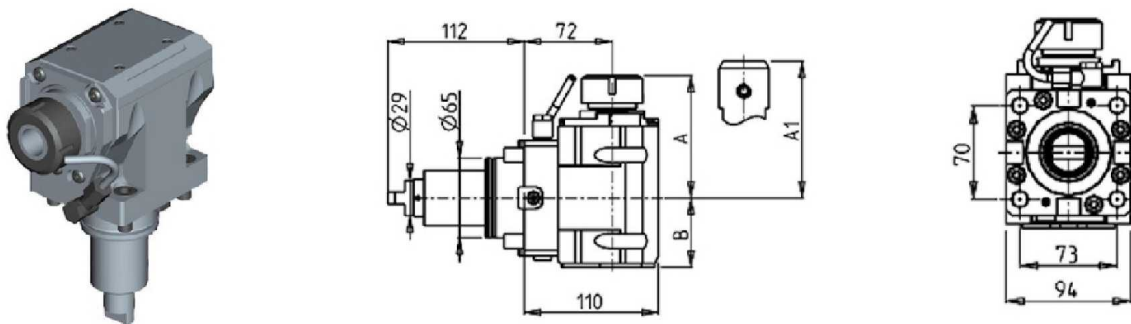
AXIAL DRIVEN TOOL H=72mm



Part Number	Description	Spindle	Reversible	I	RPM	Cool Thru	Ext. Cool	A	A1	B	D	L
DWO 0700125	Axial ER25 H=72mm	ER25	X	1:1	6000		X	91.16		54		
DWO 0700225	Axial ER25 H=72mm Cool Thru*	ER25	X	1:1	6000	X	X	91.16		65		
DWO 0700325	Axial ERA25 H=72mm	ERA25	X	1:1	6000		X	65		54		
DWO 0700425	Axial ERA25 H=72mm Cool Thru*	ERA25	X	1:1	6000	X	X	65		65		
DWO 0700132	Axial ER32 H=72mm	ER32	X	1:1	6000		X	93.66		54		
DWO 0700232	Axial ER32 H=72mm Cool Thru*	ER32	X	1:1	6000	X	X	93.66		65		
DWO 0700140	Axial ER40 H=72mm	ER40	X	1:1	6000		X	98.16		54		
DWO 0700240	Axial ER40 H=72mm Cool Thru*	ER40	X	1:1	6000	X	X	98.16		65		
DWO 0700516	Axial Mill Head D=16mm, L=17mm	16x17	X	1:1	6000		X		67.5	54	16	17
DWO 0700522	Axial Mill Head D=22mm, L=19mm	22x19	X	1:1	6000		X		67.5	54	22	19
DWO 0700527	Axial Mill Head D=27mm, L=21mm	27x21	X	1:1	6000		X		70	54	27	21

* Coolant Thru tools are designed for 1000 psi.
They require 5 Micron Filtration and **CANNOT** be run dry.

AXIAL REINFORCED DRIVEN TOOL H=72mm



Part Number	Description	Spindle	I	RPM	Reversible	Cool Thru	Ext Cool	A	A1	B
DWO 2470132	Axial Reinforced ER32	ER32	1:1	6000	X		X	99.7		56.5
DWO 2470232	Axial Reinforced ER32 Cool Thru*	ER32	1:1	6000	X	X	X	99.7		67.5
DWO 2470725	Axial Reinforced Weldon 25	Weldon 25	1:1	6000	X		X			106 56.5
DWO 2470825	Axial Reinforced Weldon 25 Cool Thru*	Weldon 25	1:1	6000	X	X	X			106 67.5

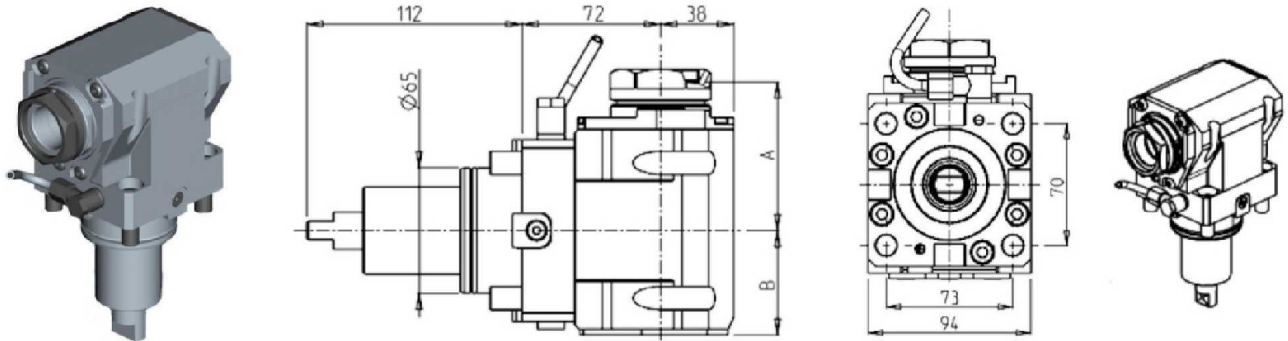
* Coolant Thru tools are designed for 1000 psi.
They require 5 Micron Filtration and **CANNOT** be run dry.

TMX8MYi - TMX8MYSi - TMX10MYi - TMX10MYSi (BMT65)

DRIVEN

QUICK CHANGE AXIAL MTSK DRIVEN TOOL H=72mm

See Accessories for MTSK Quick Change Tool Holder Clamps

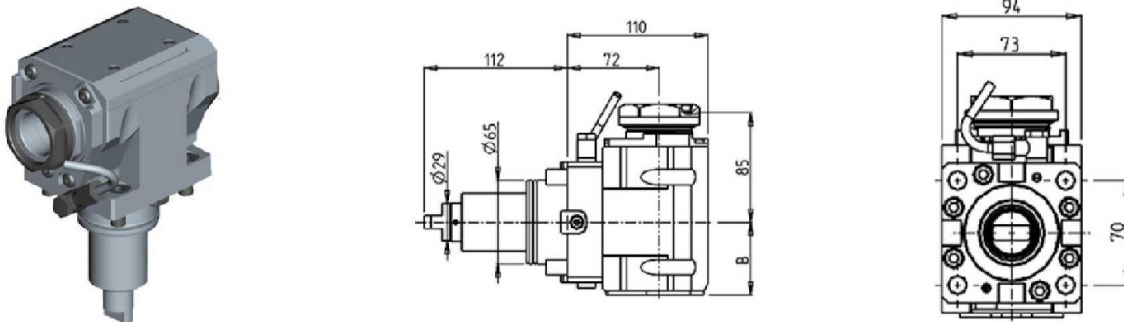


Part Number	Description	Spindle	Reversible	I	RPM	Cool Thru	Ext. Cool	A	B
DWO 1170140	Axial MTSK-40 H=72mm	MTSK-40	X	1:1	6000		X	77	54
DWO 1170240	Axial MTSK-40 H=72mm Cool Thru*	MTSK-40	X	1:1	6000	X	X	77	65
DWO 1170150	Axial MTSK-50 H=72mm	MTSK-50	X	1:1	6000		X	79	54
DWO 1170250	Axial MTSK-50 H=72mm Cool Thru*	MTSK-50	X	1:1	6000	X	X	79	65

* Coolant Thru tools are designed for 1000 psi.
They require 5 Micron Filtration and **CANNOT** be run dry.

QUICK CHANGE AXIAL MTSK REINFORCED DRIVEN TOOL H=72mm

See Accessories for MTSK Quick Change Tool Holder Clamps



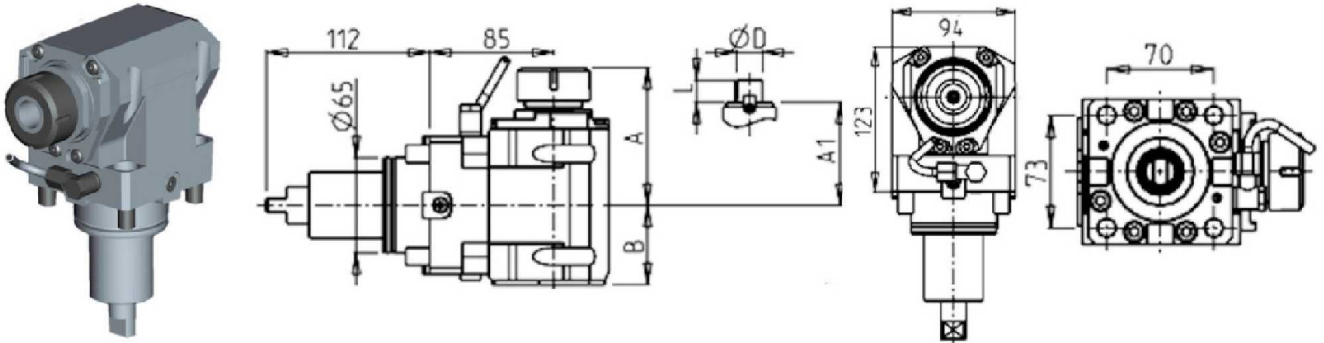
Part Number	Description	Spindle	I	RPM	Reversible	Cool Thru	Ext Cool	B
DWO 2180150	Axial MTSK-50 H=72mm	MTSK-50	1:1	6000	X		X	56.5
DWO 2180250	Axial MTSK-50 H=72mm Cool Thru*	MTSK-50	1:1	6000	X	X	X	67.5

* Coolant Thru tools are designed for 1000 psi.
They require 5 Micron Filtration and **CANNOT** be run dry.

TMX8MYi - TMX8MYSi - TMX10MYi - TMX10MYSi (BMT65)

DRIVEN

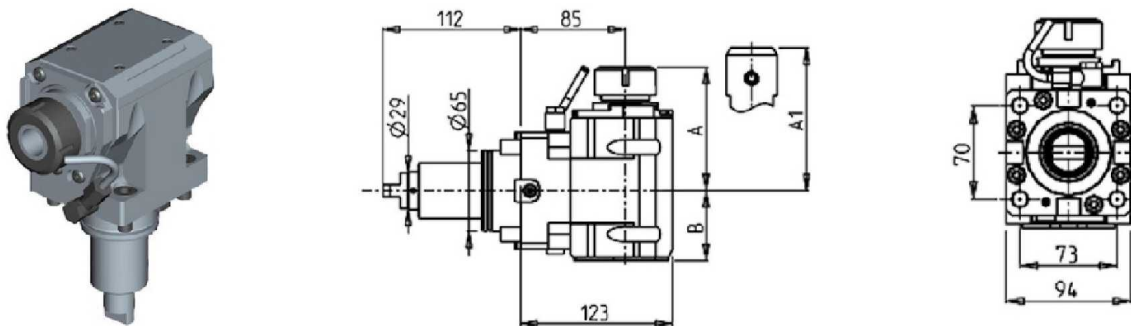
AXIAL DRIVEN TOOL H=85mm



Part Number	Description	Spindle	Reversible	I	RPM	Cool Thru	Ext. Cool	A	A1	B	D	L
DWO 1130125	Axial ER25 H=85mm	ER25	X	1:1	6000		X	91.16		54		
DWO 1130225	Axial ER25 H=85mm Cool Thru*	ER25	X	1:1	6000	X	X	91.16		65		
DWO 1130325	Axial ERA25 H=85mm	ERA25	X	1:1	6000		X	65		54		
DWO 1130425	Axial ERA25 H=85mm Cool Thru*	ERA25	X	1:1	6000	X	X	65		65		
DWO 1130132	Axial ER32 H=85mm	ER32	X	1:1	6000		X	93.66		54		
DWO 1130232	Axial ER32 H=85mm Cool Thru*	ER32	X	1:1	6000	X	X	93.66		65		
DWO 1130140	Axial ER40 H=85mm	ER40	X	1:1	6000		X	98.16		54		
DWO 1130240	Axial ER40 H=85mm Cool Thru*	ER40	X	1:1	6000	X	X	98.16		65		
DWO 1130516	Axial Mill Head D=16mm, L=17mm	16x17	X	1:1	6000		X		67.5	54	16	17
DWO 1130522	Axial Mill Head D=22mm, L=19mm	22x19	X	1:1	6000		X		67.5	54	22	19
DWO 1130527	Axial Mill Head D=27mm, L=21mm	27x21	X	1:1	6000		X		70	54	27	21

* Coolant Thru tools are designed for 1000 psi.
They require 5 Micron Filtration and **CANNOT** be run dry.

AXIAL REINFORCED DRIVEN TOOL H=85mm



Part Number	Description	Spindle	I	RPM	Reversible	Cool Thru	Ext Cool	A	A1	B
DWO 2480132	Axial Reinforced ER32	ER32	1:1	6000	X		X	99.7		56.5
DWO 2480232	Axial Reinforced ER32 Cool Thru*	ER32	1:1	6000	X	X	X	99.7		67.5
DWO 2480725	Axial Reinforced Weldon 25	Weldon 25	1:1	6000	X		X			106 56.5
DWO 2480825	Axial Reinforced Weldon 25 Cool Thru*	Weldon 25	1:1	6000	X	X	X			106 67.5

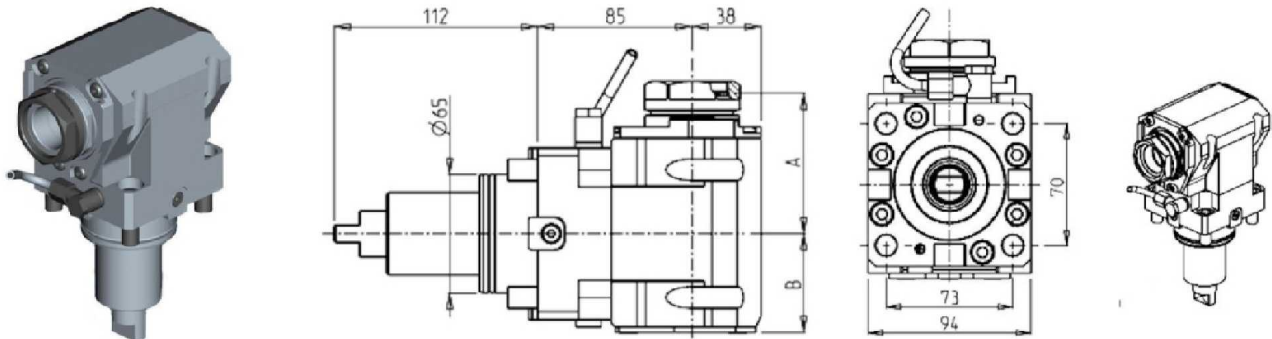
* Coolant Thru tools are designed for 1000 psi.
They require 5 Micron Filtration and **CANNOT** be run dry.

TMX8MYi - TMX8MYSi - TMX10MYi - TMX10MYSi (BMT65)

DRIVEN

QUICK CHANGE AXIAL MTSK DRIVEN TOOL H=85mm

See Accessories for MTSK Quick Change Tool Holder Clamps

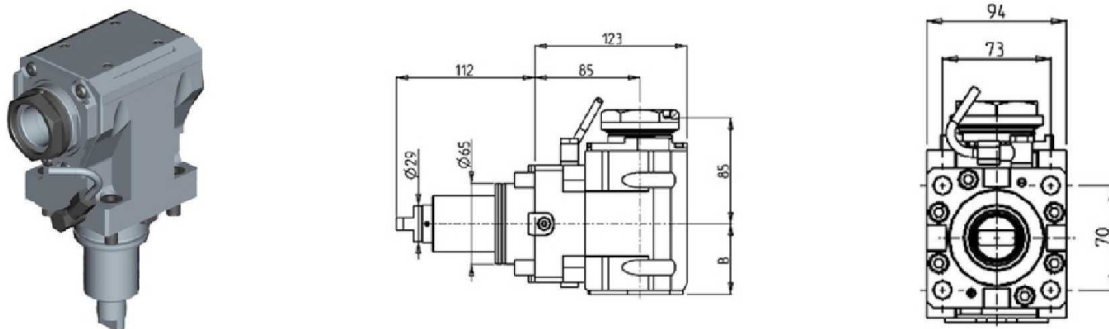


Part Number	Description	Spindle	Reversible	I	RPM	Cool Thru	Ext. Cool	A	B
DWO 1180140	Axial MTSK-40 H=85mm	MTSK-40	X	1:1	6000		X	77	54
DWO 1180240	Axial MTSK-40 H=85mm Cool Thru*	MTSK-40	X	1:1	6000	X	X	77	65
DWO 1180150	Axial MTSK-50 H=85mm	MTSK-50	X	1:1	6000		X	79	54
DWO 1180250	Axial MTSK-50 H=85mm Cool Thru*	MTSK-50	X	1:1	6000	X	X	79	65

* Coolant Thru tools are designed for 1000 psi.
They require 5 Micron Filtration and **CANNOT** be run dry.

QUICK CHANGE AXIAL MTSK REINFORCED DRIVEN TOOL H=85mm

See Accessories for MTSK Quick Change Tool Holder Clamps



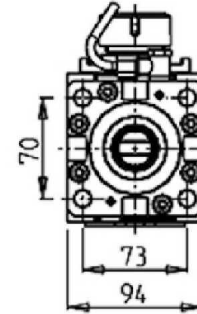
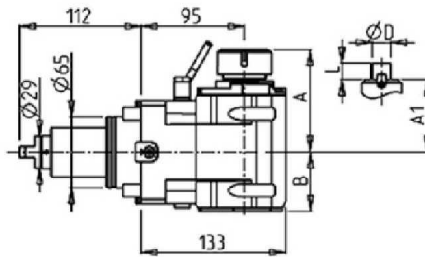
Part Number	Description	Spindle	I	RPM	Reversible	Cool Thru	Ext Cool	B
DWO 2190150	Axial MTSK-50 H=85mm	MTSK-50	1:1	6000	X		X	56.5
DWO 2190250	Axial MTSK-50 H=85mm Cool Thru*	MTSK-50	1:1	6000	X	X	X	67.5

* Coolant Thru tools are designed for 1000 psi.
They require 5 Micron Filtration and **CANNOT** be run dry.

TMX8MYi - TMX8MYSi - TMX10MYi - TMX10MYSi (BMT65)

DRIVEN

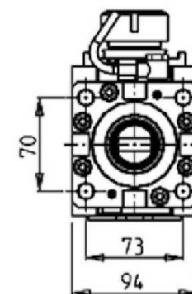
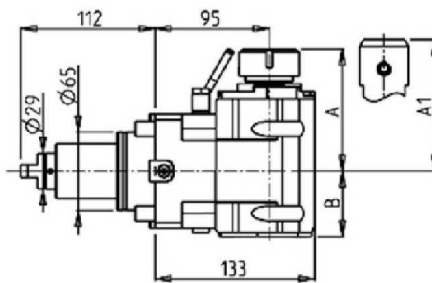
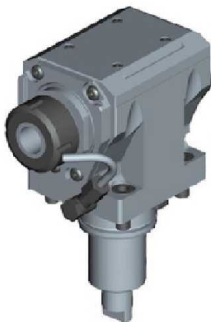
AXIAL DRIVEN TOOL H=95mm



Part Number	Description	Spindle	I	RPM	Reversible	Cool Thru	Ext Cool	A	A1	B	D	L
DWO 2510325	Axial ERA25 H=95mm	ERA25	1:1	6000	X		X	65		54		
DWO 2510425	Axial ERA25 H=95mm Cool Thru*	ERA25	1:1	6000	X	X	X	65		65		
DWO 2510125	Axial ER25 H=95mm	ER25	1:1	6000	X		X	91.2		54		
DWO 2510225	Axial ER25 H=95mm Cool Thru*	ER25	1:1	6000	X	X	X	91.2		65		
DWO 2510132	Axial ER32 H=95mm	ER32	1:1	6000	X		X	93.7		54		
DWO 2510232	Axial ER32 H=95mm Cool Thru*	ER32	1:1	6000	X	X	X	93.7		65		
DWO 2510140	Axial ER40 H=95mm	ER40	1:1	6000	X		X	98.2		54		
DWO 2510240	Axial ER40 H=95mm Cool Thru*	ER40	1:1	6000	X	X	X	98.2		65		
DWO 2510516	Axial 16x17mm H=95mm	16x17	1:1	6000	X		X		67.5	54	16	17
DWO 2510522	Axial 22x19mm H=95mm	22x19	1:1	6000	X		X		67.5	54	22	19
DWO 2510527	Axial 27x21mm H=95mm	27x21	1:1	6000	X		X		70	54	27	21

* Coolant Thru tools are designed for 1000 psi.
They require 5 Micron Filtration and **CANNOT** be run dry.

AXIAL REINFORCED DRIVEN TOOL H=95mm



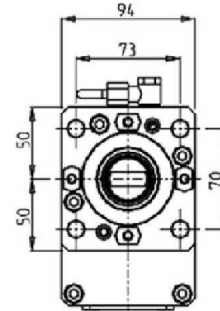
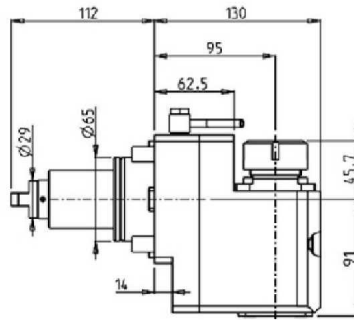
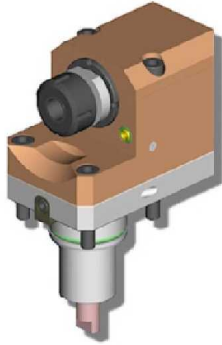
Part Number	Description	Spindle	I	RPM	Reversible	Cool Thru	Ext Cool	A	A1	B
DWO 2500132	Axial Reinforced ER32	ER32	1:1	6000	X		X	99.7		56.5
DWO 2500232	Axial Reinforced ER32 Cool Thru*	ER32	1:1	6000	X	X	X	99.7		67.5
DWO 2500725	Axial Reinforced Weldon 25	Weldon 25	1:1	6000	X		X			106 56.5
DWO 2500825	Axial Reinforced Weldon 25 Cool Thru*	Weldon 25	1:1	6000	X	X	X			106 67.5

* Coolant Thru tools are designed for 1000 psi.
They require 5 Micron Filtration and **CANNOT** be run dry.

TMX8MYi - TMX8MYSi - TMX10MYi - TMX10MYSi (BMT65)

DRIVEN

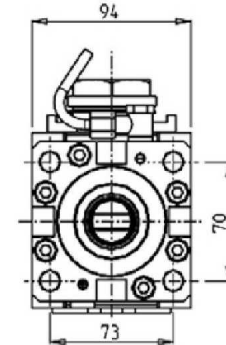
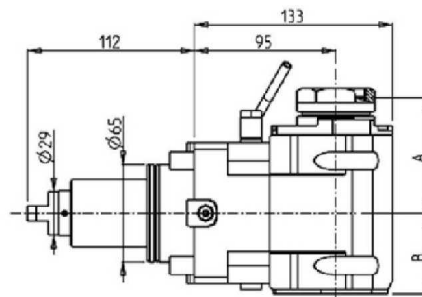
AXIAL REAR-SET DRIVEN TOOL H=95mm



Part Number	Description	Spindle	I	RPM	Reversible	Ext Cool
DWO 2570132	Axial Rear-Set ER32	ER32	1:1	6000	X	X

QUICK CHANGE AXIAL MTSK DRIVEN TOOL H=95mm

See Accessories for MTSK Quick Change Tool Holder Clamps



Part Number	Description	Spindle	I	RPM	Reversible	Cool Thru	Ext Cool	A	B
DWO 2530140	Axial MTSK-40 H=95mm	MTSK-40	1:1	6000	X		X	77	54
DWO 2530240	Axial MTSK-40 H=95mm Cool Thru*	MTSK-40	1:1	6000	X	X	X	77	65
DWO 2530150	Axial MTSK-50 H=95mm	MTSK-50	1:1	6000	X		X	79	54
DWO 2530250	Axial MTSK-50 H=95mm Cool Thru*	MTSK-50	1:1	6000	X	X	X	79	65

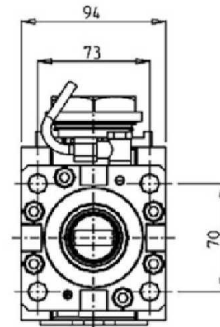
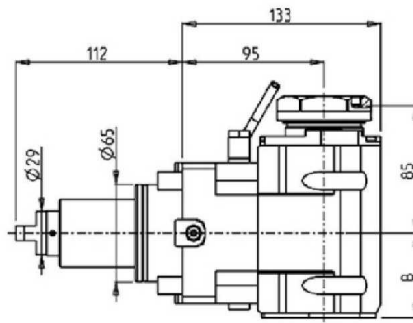
* Coolant Thru tools are designed for 1000 psi.
They require 5 Micron Filtration and **CANNOT** be run dry.

TMX8MYi - TMX8MYSi - TMX10MYi - TMX10MYSi (BMT65)

DRIVEN

QUICK CHANGE AXIAL MTSK REINFORCED DRIVEN TOOL H=95mm

See Accessories for MTSK Quick Change Tool Holder Clamps



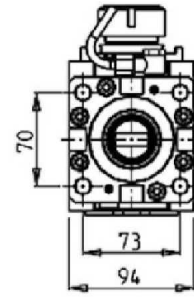
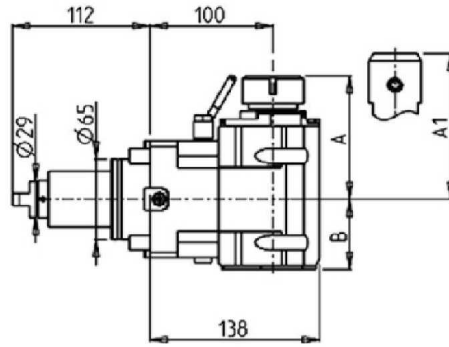
Part Number	Description	Spindle	I	RPM	Reversible	Cool Thru	Ext Cool	B
DWO 2540150	Axial Reinforced MTSK-50	MTSK-50	1:1	6000	X		X	56.5
DWO 2540250	Axial Reinforced MTSK-50 Cool Thru*	MTSK-50	1:1	6000	X	X	X	67.5

* Coolant Thru tools are designed for 1000 psi.
They require 5 Micron Filtration and **CANNOT** be run dry.

TMX8MYi - TMX8MYSi - TMX10MYi - TMX10MYSi (BMT65)

DRIVEN

AXIAL REINFORCED DRIVEN TOOL H=100mm



Part Number	Description	Spindle	I	RPM	Reversible	Cool Thru	Ext Cool	A	A1	B
DWO 2490132	Axial Reinforced ER32	ER32	1:1	6000	X		X	99.7	56.5	
DWO 2490232	Axial Reinforced ER32 Cool Thru*	ER32	1:1	6000	X	X	X	99.7	67.5	
DWO 2490725	Axial Reinforced Weldon 25	Weldon 25	1:1	6000	X		X	106	56.5	
DWO 2490825	Axial Reinforced Weldon 25 Cool Thru*	Weldon 25	1:1	6000	X	X	X	106	67.5	

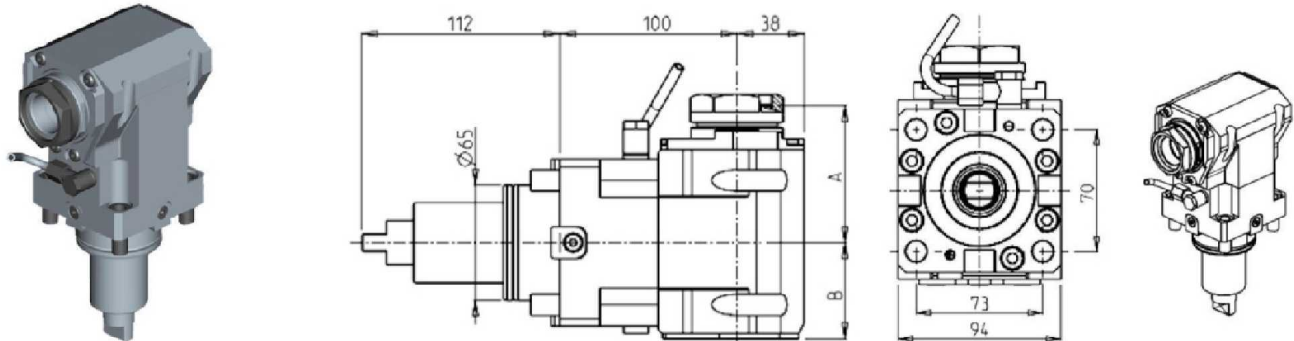
* Coolant Thru tools are designed for 1000 psi.
They require 5 Micron Filtration and **CANNOT** be run dry.

TMX8MYi - TMX8MYSi - TMX10MYi - TMX10MYSi (BMT65)

DRIVEN

QUICK CHANGE AXIAL MTSK DRIVEN TOOL H=100mm

See Accessories for MTSK Quick Change Tool Holder Clamps

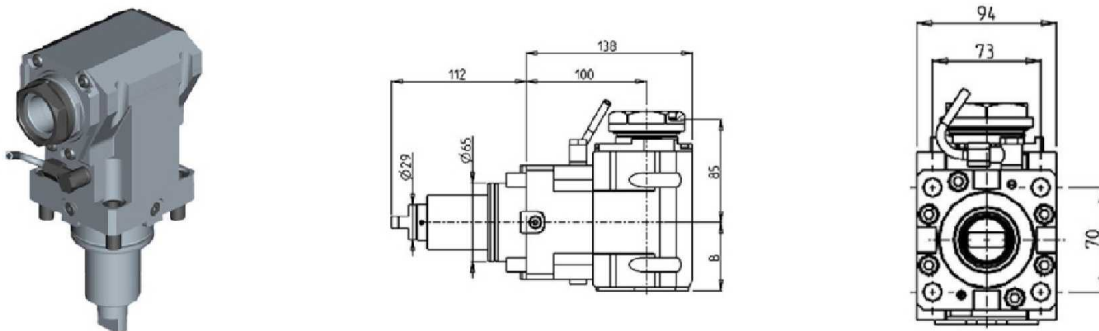


Part Number	Description	Spindle	Reversible	I	RPM	Cool Thru	Ext. Cool	A	B
DWO 1190140	Axial MTSK-40 H=100mm	MTSK-40	X	1:1	6000		X	77	54
DWO 1190240	Axial MTSK-40 H=100mm Cool Thru*	MTSK-40	X	1:1	6000	X	X	77	65
DWO 1190150	Axial MTSK-50 H=100mm	MTSK-50	X	1:1	6000		X	79	54
DWO 1190250	Axial MTSK-50 H=100mm Cool Thru*	MTSK-50	X	1:1	6000	X	X	79	65

* Coolant Thru tools are designed for 1000 psi.
They require 5 Micron Filtration and **CANNOT** be run dry.

QUICK CHANGE AXIAL MTSK REINFORCED DRIVEN TOOL H=100mm

See Accessories for MTSK Quick Change Tool Holder Clamps



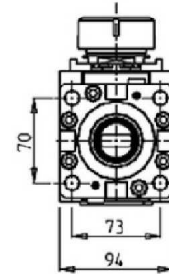
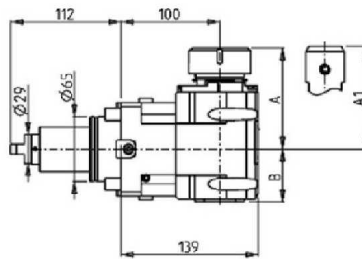
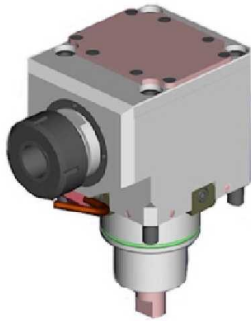
Part Number	Description	Spindle	I	RPM	Reversible	Cool Thru	Ext Cool	B
DWO 2200150	Axial MTSK-50 H=100mm	MTSK-50	1:1	6000	X		X	56.5
DWO 2200250	Axial MTSK-50 H=100mm Cool Thru*	MTSK-50	1:1	6000	X	X	X	67.5

* Coolant Thru tools are designed for 1000 psi.
They require 5 Micron Filtration and **CANNOT** be run dry.

TMX8MYi - TMX8MYSi - TMX10MYi - TMX10MYSi (BMT65)

DRIVEN

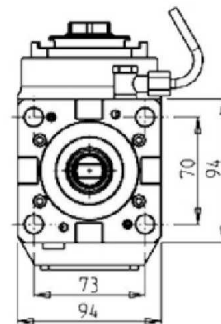
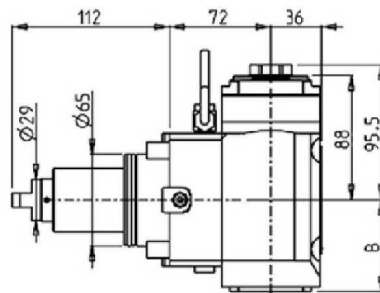
AXIAL GEARED-DOWN 2:1 DRIVEN TOOL H=100mm



Part Number	Description	Spindle	I	RPM	Reversible	Cool Thru	Ext Cool	A	A1	B
DWO 2360132	Axial Geared-Down 2:1 ER32	ER32	2:1	3000	X		X	98.7		53
DWO 2360232	Axial Geared-Down 2:1 ER32 Cool Thru	ER32	2:1	3000	X	X	X	98.7		66.5
DWO 2360140	Axial Geared-Down 2:1 ER40	ER40	2:1	3000	X		X	101.7		53
DWO 2360240	Axial Geared-Down 2:1 ER40 Cool Thru	ER40	2:1	3000	X	X	X	101.7		66.5
DWO 2360725	Axial Geared-Down 2:1 WELDON 25	WELDON25	2:1	3000	X		X		106	53
DWO 2360825	Axial Geared-Down 2:1 WELDON 25 Cool Thru	WELDON25	2:1	3000	X	X	X		106	66.5

* Coolant Thru tools are designed for 1000 psi.
They require 5 Micron Filtration and **CANNOT** be run dry.

AXIAL GEARED-UP 1:2 DRIVEN TOOL H=72mm



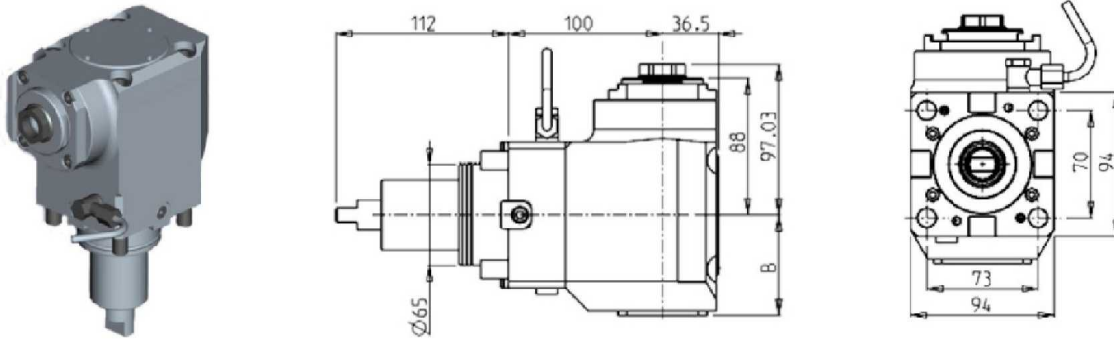
Part Number	Description	Spindle	I	RPM	Reversible	Cool Thru	Ext Cool	B
DWO 3780125	Axial Geared-Up 1:2 ERA25	ERA25	1:2	12000	X		X	64.7
DWO 3780225	Axial Geared-Up 1:2 ERA25 Cool Thru*	ERA25	1:2	12000	X	X	X	73.2

* Coolant Thru tools are designed for 1000 psi.
They require 5 Micron Filtration and **CANNOT** be run dry.

TMX8MYi - TMX8MYSi - TMX10MYi - TMX10MYSi (BMT65)

DRIVEN

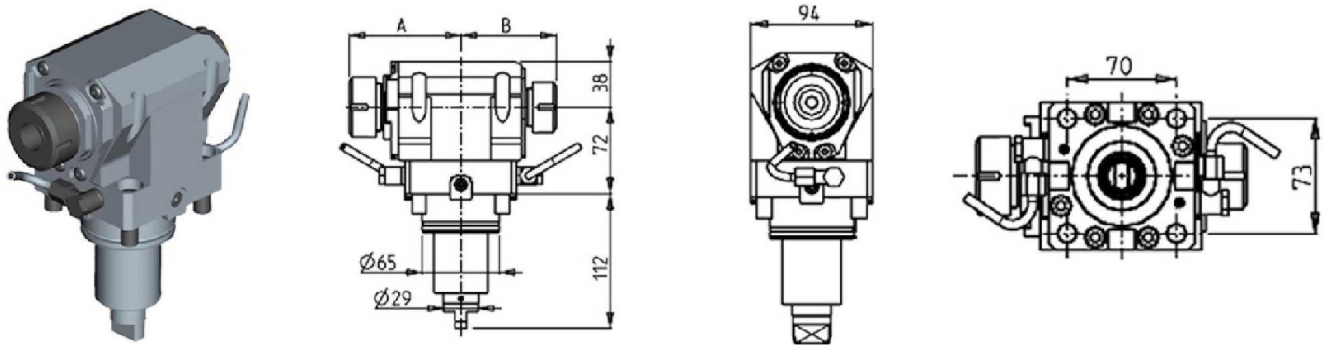
AXIAL GEARED-UP 1:2 DRIVEN TOOL H=100mm



Part Number	Description	Reversible	Spindle	I	RPM	Cool Thru	Ext. Cool	B
DWO 0710125	Axial Geared-Up 1:2 ERA25	X	ERA25	1:2	12000		X	64.7
DWO 0710225	Axial Geared-Up 1:2 ERA25 Cool Thru*	X	ERA25	1:2	12000	X	X	73.2

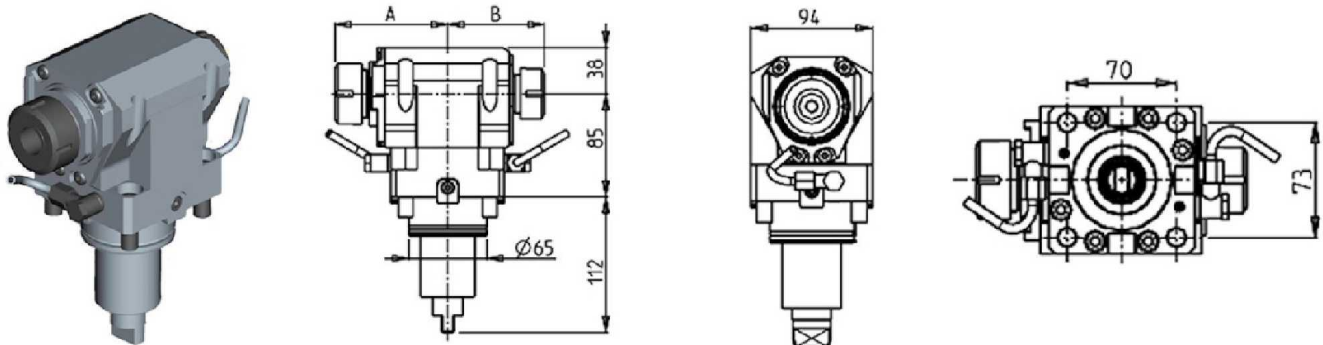
* Coolant Thru tools are designed for 1000 psi. They require 5 Micron Filtration and **CANNOT** be run dry.

AXIAL OPPOSITE FACE DRIVEN TOOL H=72mm



Part Number	Description	Reversible	Spindle	I	RPM	Ext. Cool	A	B
DWO 0720132	Axial Opposite Face ER32+ER25 H=72mm	X	ER32+ER25	1:1	6000	X	93.66	80.16
DWO 0722520	Axial Opposite Face ERA25+ERA20 H=72mm	X	ERA25+ERA20	1:1	6000	X	65	55.5

AXIAL OPPOSITE FACE DRIVEN TOOL H=85mm

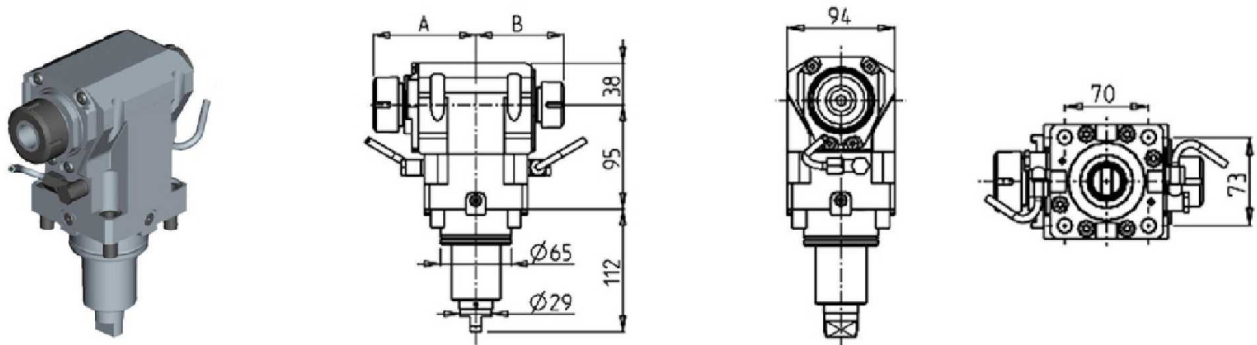


Part Number	Description	Spindle	I	Reversible	RPM	Ext. Cool	A	B
DWO 1150132	Axial Opposite Face ER32+ER25 H=85mm	ER32+ER25	1:1	X	6000	X	93.66	80.16
DWO 1152520	Axial Opposite Face ERA25+ERA20 H=85mm	ERA25+ERA20	1:1	X	6000	X	65	55.5

TMX8MYi - TMX8MYSi - TMX10MYi - TMX10MYSi (BMT65)

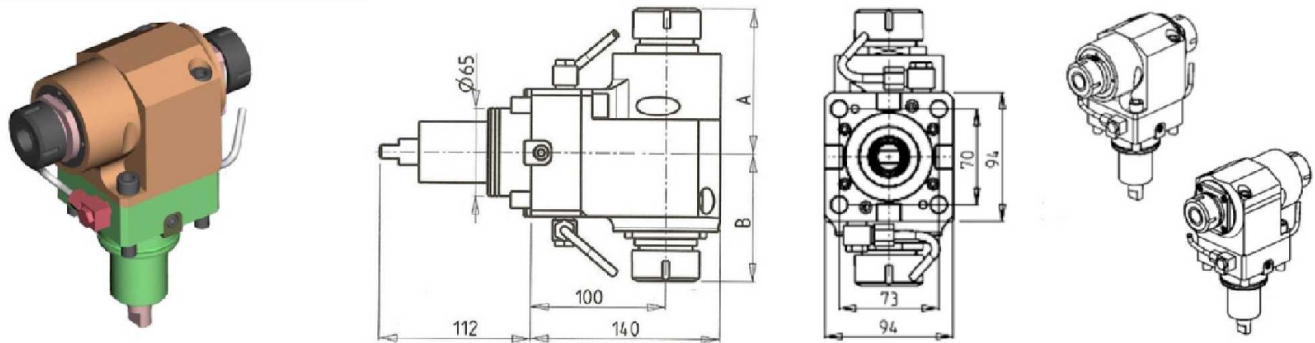
DRIVEN

AXIAL OPPOSITE FACE DRIVEN TOOL H=95mm



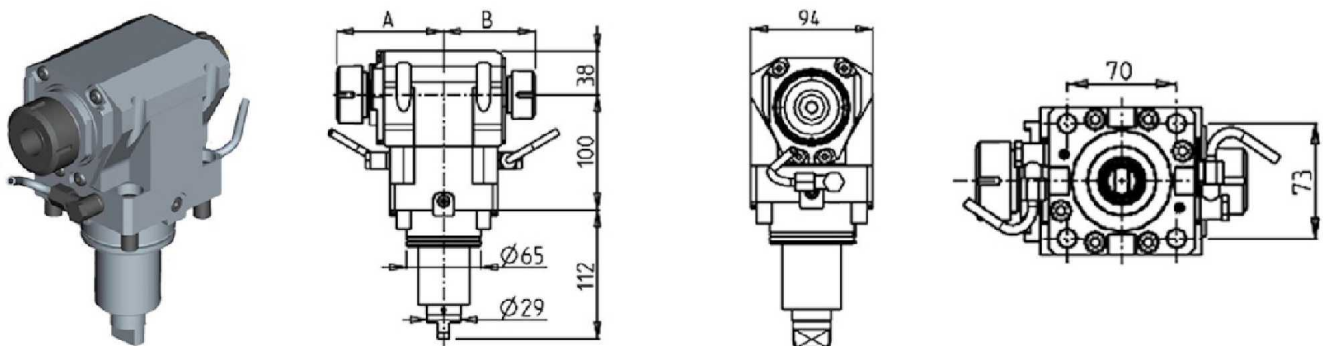
Part Number	Description	Spindle	I	RPM	Reversible	Ext Cool	A	B
DWO 2520132	Axial Opposite Face ER32+ER25	ER32+ER25	1:1	6000	X	X	93.7	80.2
DWO 2522520	Axial Opposite Face ERA25+ERA20	ERA25+ERA20	1:1	6000	X	X	65	55.5

AXIAL OPPOSITE FACE DRIVEN TOOL H=100mm



Part Number	Description	Reversible	Spindle	I	RPM	Ext. Cool	A	B
DWO 0070232	Axial Double Outlet ER32+ER32	X	ER32+ER32	1:1	6000	X	107.66	94.26
DWO 0073225	Axial Double Outlet ERA25+ERA32	X	ERA25+ERA32	1:1	6000	X	106.03	81.13

AXIAL OPPOSITE FACE DRIVEN TOOL H=100mm

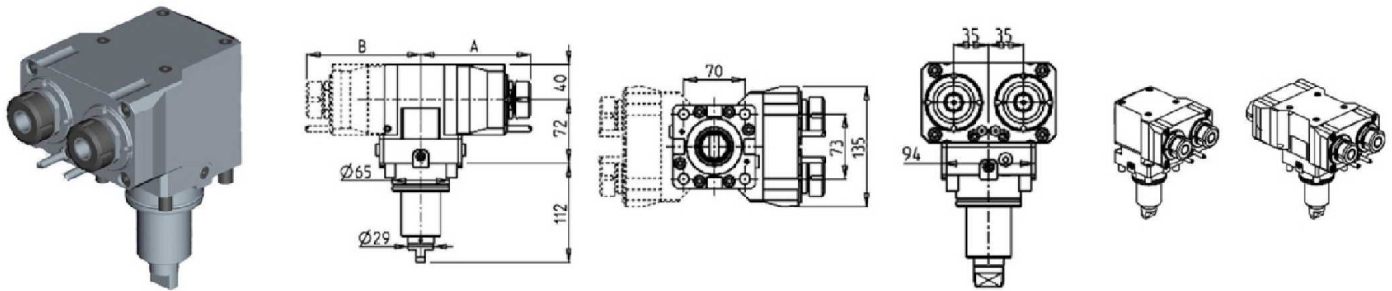


Part Number	Description	Spindle	Reversible	I	RPM	Ext. Cool	A	B
DWO 1160132	Axial Opposite Face ER32+ER25 H=100mm	ER32+ER25	X	1:1	6000	X	93.66	80.16
DWO 1162520	Axial Opposite Face ERA25+ERA20 H=100mm	ERA25+ERA20	X	1:1	6000	X	65	55.5

TMX8MYi - TMX8MYSi - TMX10MYi - TMX10MYSi (BMT65)

DRIVEN

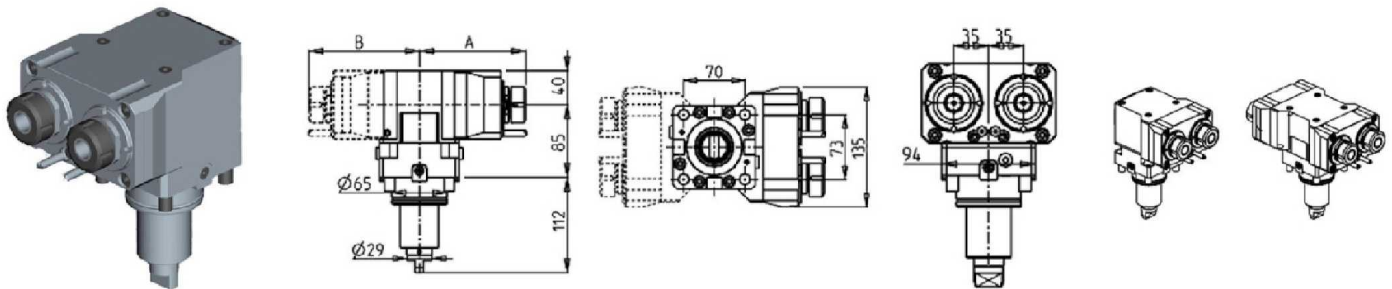
AXIAL SINGLE SIDE TWIN HEAD DRIVEN TOOL IN Y H=72mm



Part Number	Description	Spindle	I	RPM	# of Tools	Reversible	Cool Thru	Ext. Cool	A	B
DWO 1120225	Axial Single Side Twin ER25	ER25	1:1	6000	2	X		X	130.46	60
DWO 1121225	Axial Single Side Twin ER25 Cool Thru	ER25	1:1	6000	2	X	X	X	150.16	60
DWO 1120325	Axial Single Side Twin ERA25	ERA25	1:1	6000	2	X		X	119	60
DWO 1121325	Axial Single Side Twin ERA25 Cool Thru	ERA25	1:1	6000	2	X	X	X	142	60
DWO 1122225	Axial Single Side Twin ER25+ER25	ER25+ER25	1:1	6000	2+2	X		X	130.46	125.46
DWO 1122325	Axial Single Side Twin ERA25+ERA25	ERA25+ERA25	1:1	6000	2+2	X		X	119	114

* Coolant Thru tools are designed for 1000 psi.
They require 5 Micron Filtration and **CANNOT** be run dry.

AXIAL SINGLE SIDE TWIN HEAD DRIVEN TOOL IN Y H=85mm



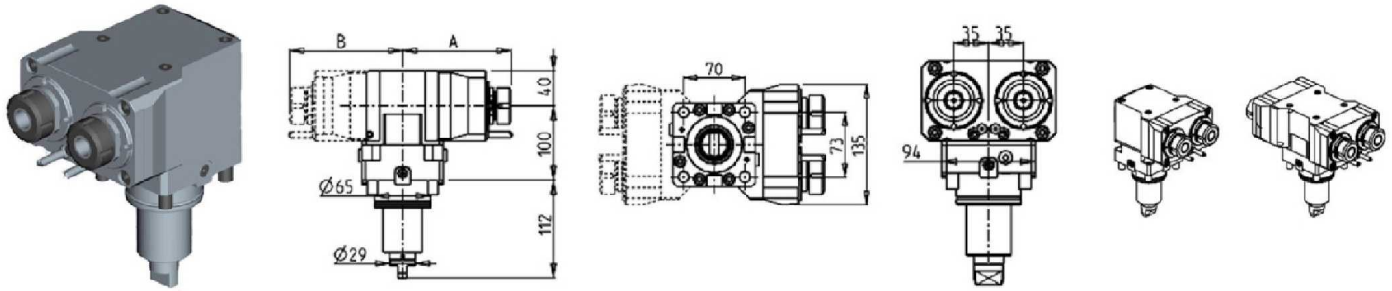
Part Number	Description	Spindle	I	RPM	# of Tools	Reversible	Cool Thru	Ext Cool	A	B
DWO 1220225	Axial Single Side Twin ER25	ER25	1:1	6000	2	X		X	130.46	60
DWO 1221225	Axial Single Side Twin ER25 Cool Thru	ER25	1:1	6000	2	X	X	X	150.16	60
DWO 1220325	Axial Single Side Twin ERA25	ER25	1:1	6000	2	X		X	119	60
DWO 1221325	Axial Single Side Twin ERA25 Cool Thru	ERA25	1:1	6000	2	X	X	X	142	60
DWO 1222225	Axial Single Side Twin ER25+ER25	ER25+ER25	1:1	6000	2+2	X		X	130.46	125.46
DWO 1222325	Axial Single Side Twin ERA25+ERA25	ERA25+ERA25	1:1	6000	2+2	X		X	119	114

* Coolant Thru tools are designed for 1000 psi.
They require 5 Micron Filtration and **CANNOT** be run dry.

TMX8MYi - TMX8MYSi - TMX10MYi - TMX10MYSi (BMT65)

DRIVEN

AXIAL SINGLE SIDE TWIN HEAD DRIVEN TOOL IN Y H=100mm



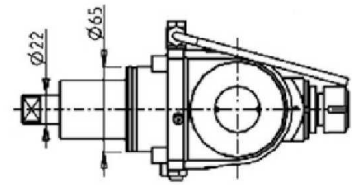
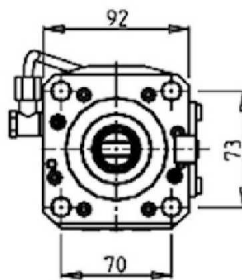
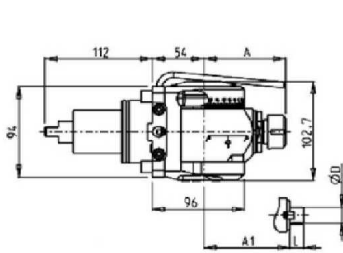
Part Number	Description	Spindle	I	RPM	# of Tools	Reversible	Cool Thru	Ext Cool	A	B
DWO 1230225	Axial Single Side Twin ER25	ER25	1:1	6000	2	X		X	130.46	60
DWO 1231225	Axial Single Side Twin ER25 Cool Thru	ER25	1:1	6000	2	X	X	X	150.16	60
DWO 1230325	Axial Single Side Twin ERA25	ERA25	1:1	6000	2	X		X	119	60
DWO 1231325	Axial Single Side Twin ERA25 Cool Thru	ERA25	1:1	6000	2	X	X	X	142	60
DWO 1232225	Axial Single Side Twin ER25+ER25	ER25+ER25	1:1	6000	2+2	X		X	130.46	125.46
DWO 1232325	Axial Single Side Twin ERA25+ERA25	ERA25+ERA25	1:1	6000	2+2	X		X	119	114

* Coolant Thru tools are designed for 1000 psi.
They require 5 Micron Filtration and **CANNOT** be run dry.

TMX8MYi - TMX8MYSi - TMX10MYi - TMX10MYSi (BMT65)

DRIVEN

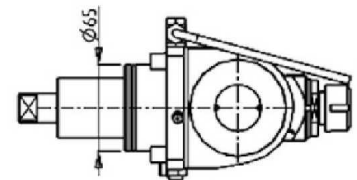
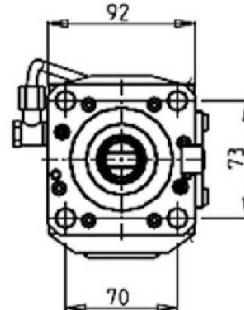
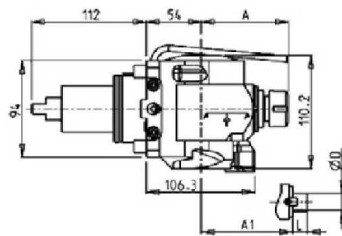
0-180 ADJUSTABLE ANGLE DRIVEN TOOL H=54mm



Part Number	Description	Spindle	I	RPM	Reversible	Ext Cool	A	A1	D	L
DWO 1920120	0-180 Adjustable Angle ER20	ER20	1:1	6000	X	X	85.16			
DWO 1920125	0-180 Adjustable Angle ER25	ER25	1:1	6000	X	X	86.16			
DWO 1920519	0-180 Adjustable Angle 3/4"x3/4"	3/4"x3/4"	1:1	6000	X	X		65	3/4"	3/4"
DWO 1920516	0-180 Adjustable Angle 16x17mm	16x17mm	1:1	6000	X	X		65	16	17
DWO 1920522	0-180 Adjustable Angle 22x19mm	22x19mm	1:1	6000	X	X		66	22	19

Note : Wrenches are provided with the purchase of Specialty Toolholders

0-180 ADJUSTABLE ANGLE DRIVEN TOOL WITH DIGITAL DISPLAY H=54mm



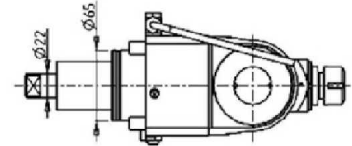
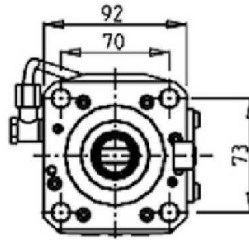
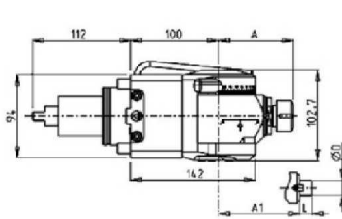
Part Number	Description	Spindle	I	RPM	Reversible	Ext Cool	A	A1	D	L
DWO 1850120	0-180 Adj. Angle ER20 with Digital Display	ER20	1:1	6000	X	X	85.16			
DWO 1850125	0-180 Adj. Angle ER25 with Digital Display	ER25	1:1	6000	X	X	86.16			
DWO 1850519	0-180 Adj. Angle 3/4"x3/4" with Digital Display	3/4"x3/4"	1:1	6000	X	X		65	3/4"	3/4"
DWO 1850516	0-180 Adj. Angle 16x17mm with Digital Display	16x17mm	1:1	6000	X	X		65	16	17
DWO 1850522	0-180 Adj. Angle 22x19mm with Digital Display	22x19mm	1:1	6000	X	X		66	22	19

Note : Wrenches are provided with the purchase of Specialty Toolholders

TMX8MYi - TMX8MYSi - TMX10MYi - TMX10MYSi (BMT65)

DRIVEN

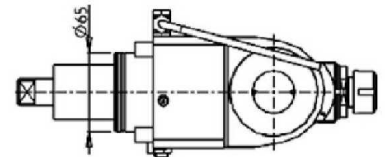
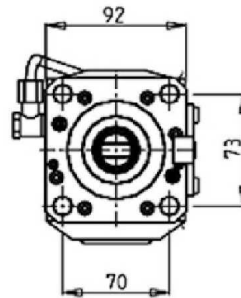
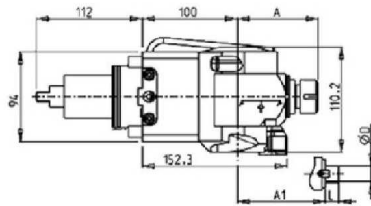
0-180 ADJUSTABLE ANGLE DRIVEN TOOL H=100mm



Part Number	Description	Spindle	I	RPM	Reversible	Ext Cool	A	A1	D	L
DWO 1930120	0-180 Adjustable Angle ER20	ER20	1:1	6000	X	X	85.16			
DWO 1930125	0-180 Adjustable Angle ER25	ER25	1:1	6000	X	X	86.16			
DWO 1930519	0-180 Adjustable Angle 3/4"x3/4"	3/4"x3/4"	1:1	6000	X	X		65	3/4"	3/4"
DWO 1930516	0-180 Adjustable Angle 16x17mm	16x17mm	1:1	6000	X	X		65	16	17
DWO 1930522	0-180 Adjustable Angle 22x19mm	22x19mm	1:1	6000	X	X		66	22	19

Note : Wrenches are provided with the purchase of Specialty Toolholders

0-180 ADJUSTABLE ANGLE DRIVEN TOOL WITH DIGITAL DISPLAY H=100mm



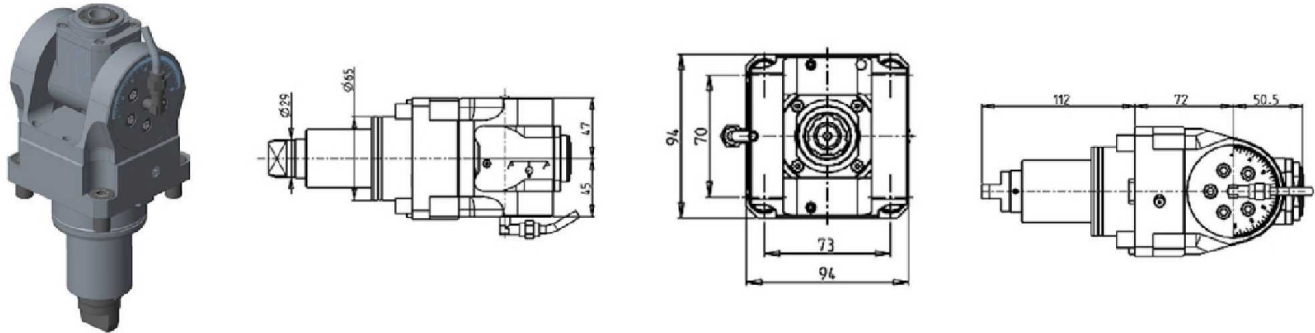
Part Number	Description	Spindle	I	RPM	Reversible	Ext Cool	A	A1	D	L
DWO 1860120	0-180 Adj. Angle ER20 with Digital Display	ER20	1:1	6000	X	X	85.16			
DWO 1860125	0-180 Adj. Angle ER25 with Digital Display	ER25	1:1	6000	X	X	86.16			
DWO 1860519	0-180 Adj. Angle 3/4"x3/4" with Digital Display	3/4"x3/4"	1:1	6000	X	X		65	3/4"	3/4"
DWO 1860516	0-180 Adj. Angle 16x17mm with Digital Display	16x17mm	1:1	6000	X	X		65	16	17
DWO 1860522	0-180 Adj. Angle 22x19mm with Digital Display	22x19mm	1:1	6000	X	X		66	22	19

Note : Wrenches are provided with the purchase of Specialty Toolholders

TMX8MYi - TMX8MYSi - TMX10MYi - TMX10MYSi (BMT65)

DRIVEN

0-180 ADJUSTABLE ANGLE DRIVEN TOOL H=72mm



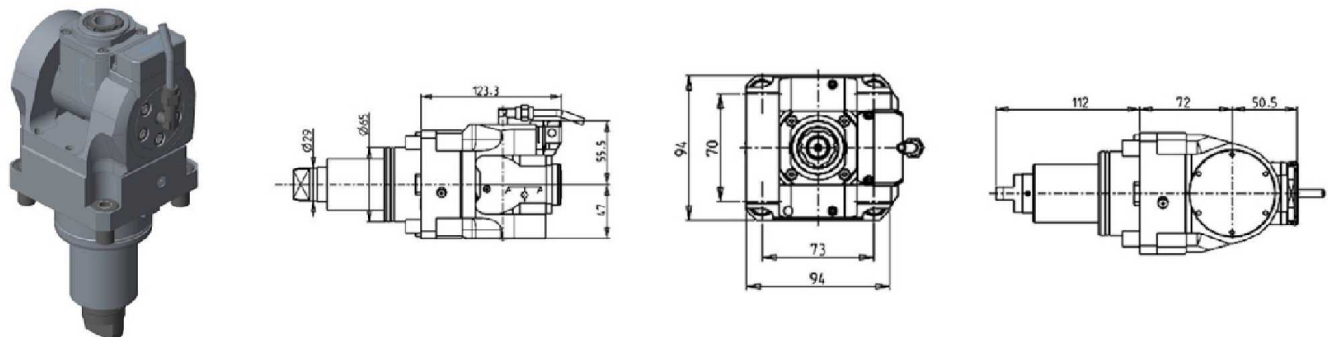
Part Number	Description	Spindle	I	RPM	Reversible	Cool Thru	Ext Cool
DWO 1940120	0-180 Adjustable Angle ERA20	ERA20	1:1	6000	X		X
DWO 1940220	0-180 Adjustable Angle ERA20 Cool Thru*	ERA20	1:1	6000	X	X	X

* Coolant Thru tools are designed for 1000 psi.
They require 5 Micron Filtration and **CANNOT** be run dry.

Note :

Wrenches are provided with the purchase of Specialty Toolholders

0-180 ADJUSTABLE ANGLE DRIVEN TOOL WITH DIGITAL DISPLAY H=72mm



Part Number	Description	Spindle	I	RPM	Reversible	Cool Thru	Ext Cool
DWO 1945120	0-180 Adj. Angle ERA20 with Digital Display	ERA20	1:1	6000	X		X
DWO 1945220	0-180 Adj. Angle ERA20 with Digital Display Cool Thru*	ERA20	1:1	6000	X	X	X

* Coolant Thru tools are designed for 1000 psi.
They require 5 Micron Filtration and **CANNOT** be run dry.

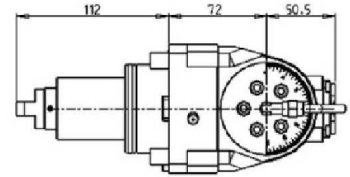
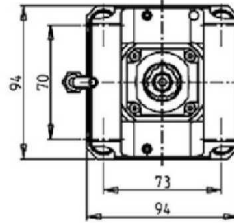
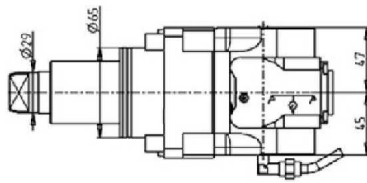
Note :

Wrenches are provided with the purchase of Specialty Toolholders

TMX8MYi - TMX8MYSi - TMX10MYi - TMX10MYSi (BMT65)

DRIVEN

0-180 ADJUSTABLE ANGLE DRIVEN TOOL GEARED-UP 1:2 H=72mm



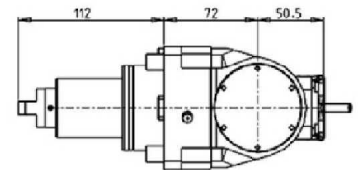
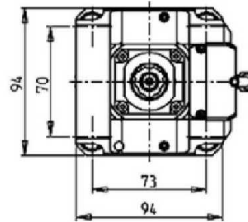
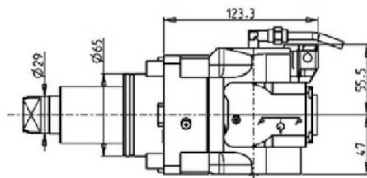
Part Number	Description	Spindle	I	RPM	Reversible	Cool Thru	Ext Cool
DWO 1940316	0-180 Adj. Angle Geared-Up ERA16	ERA16	1:2	12000	X		X
DWO 1940416	0-180 Adj. Angle Geared-Up ERA16 Cool Thru*	ERA16	1:2	12000	X	X	X

* Coolant Thru tools are designed for 1000 psi.
They require 5 Micron Filtration and **CANNOT** be run dry.

Note :

Wrenches are provided with the purchase of Specialty Toolholders

0-180 ADJUSTABLE ANGLE DRIVEN TOOL GEARED-UP 1:2 WITH DIGITAL DISPLAY H=72mm



Part Number	Description	Spindle	I	RPM	Reversible	Cool Thru	Ext Cool
DWO 1945316	0-180 Adj. Angle Geared-Up ERA16 with Digital Display	ERA16	1:2	12000	X		X
DWO 1945416	0-180 Adj. Angle Geared-Up ERA16 with Digital Display Cool Thru*	ERA16	1:2	12000	X	X	X

* Coolant Thru tools are designed for 1000 psi.
They require 5 Micron Filtration and **CANNOT** be run dry.

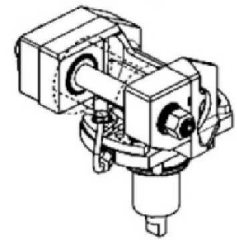
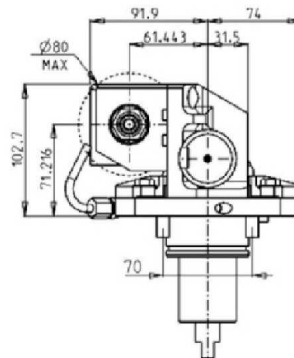
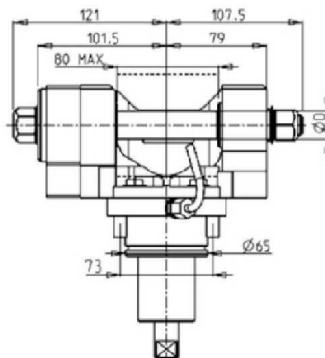
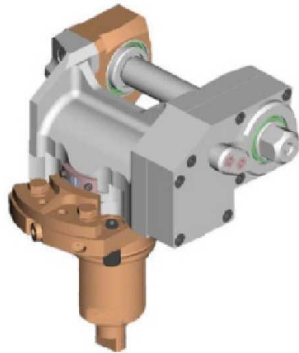
Note :

Wrenches are provided with the purchase of Specialty Toolholders

TMX8MYi - TMX8MYSi - TMX10MYi - TMX10MYSi (BMT65)

DRIVEN

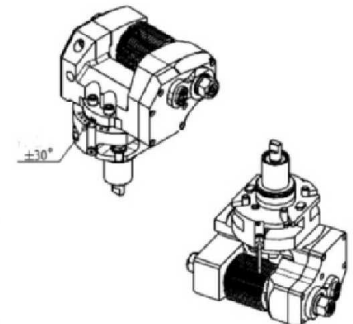
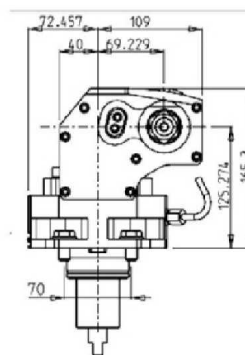
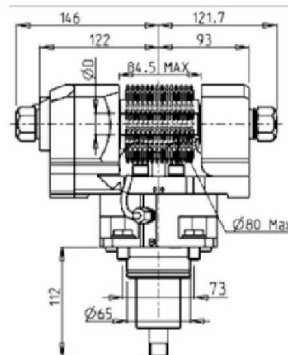
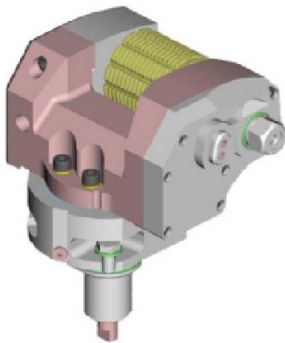
DRIVEN GEAR HOBBER



Part Number	Description	Reversible	I	RPM	Ext. Cool	D mm	D Inch
0321100	Gear Hobbing Tool 1:1	X	1:1	6000	X	16-22-27-32	3/4"-1"-1 1/4"
0322100	Gear Hobbing Tool 2:1 Geared Down	X	2:1	3000	X	16-22-27-32	3/4"-1"-1 1/4"

Note : Wrenches are provided with the purchase of Specialty Toolholders

GEAR HOBBER - REINFORCED



Part Number	Description	Reversible	I	RPM	Ext. Cool	D mm	D Inch
DWO 0031100	Heavy Duty Gear Hobbing Tool 1:1	X	1:1	6000	X	16-22-27-32	3/4"-1"-1 1/4"
DWO 0032100	Heavy Duty Gear Hobbing Tool 2:1 Geared Down	X	2:1	3000	X	16-22-27-32	3/4"-1"-1 1/4"

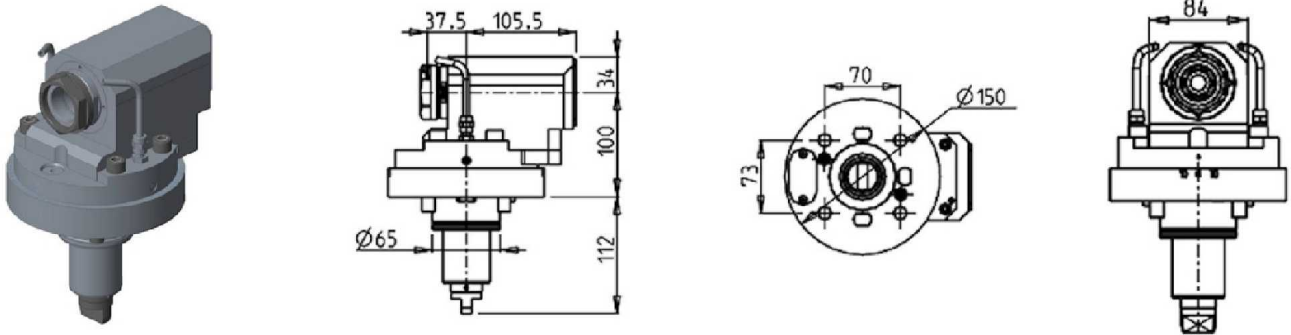
Note : Wrenches are provided with the purchase of Specialty Toolholders

TMX8MYi - TMX8MYSi - TMX10MYi - TMX10MYSi (BMT65)

DRIVEN

QUICK CHANGE AXIAL MTSK-40 DRIVEN TOOL FOR POWER SKIVING H=100mm

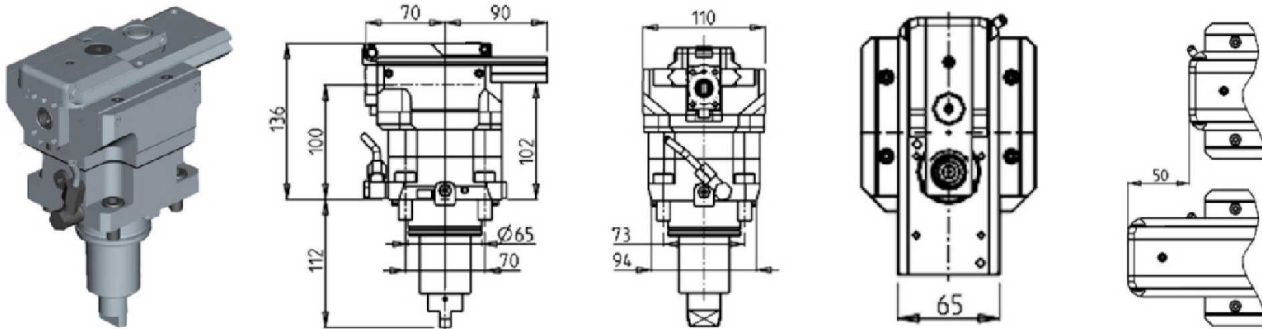
See Accessories for MTSK Quick Change Tool Holder Clamps



Part Number	Description	Spindle	I	RPM	Reversible	Ext Cool
DWO 1770100	Axial MTSK-40 for Power Skiving	MTSK-40	1:1	6000	X	X

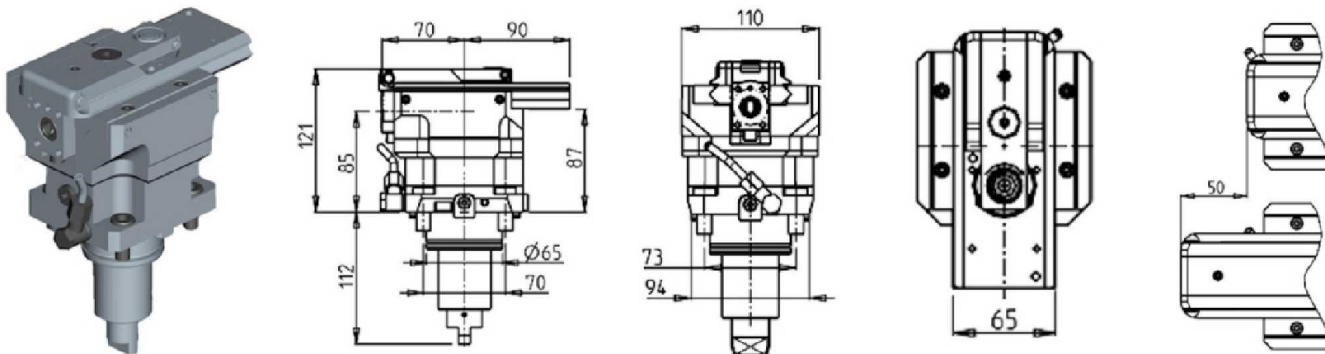
Note : Wrenches are provided with the purchase of Specialty Toolholders

BROACHING/SLOTING TOOL 50mm STROKE H=100mm



Part Number	Description	I	RPM MAX	Reversible	Ext Cool
DWO 1520100	Broaching / Slotting Tool H=100mm	4:1	2000	X	X

BROACHING/SLOTING TOOL 50mm STROKE H=85mm

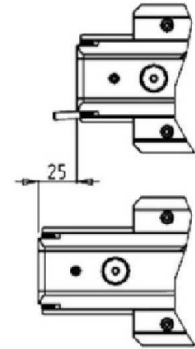
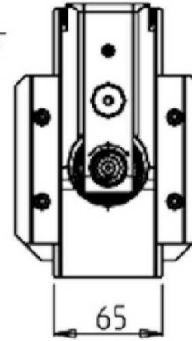
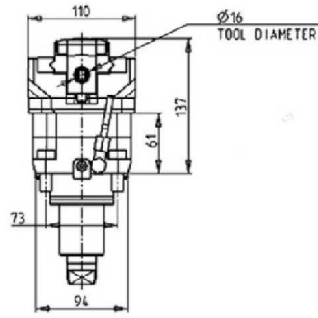
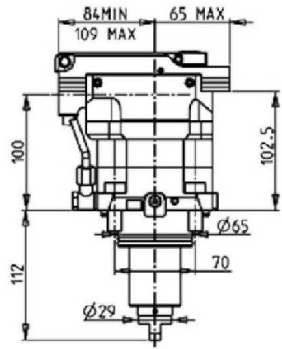


Part Number	Description	I	RPM MAX	Reversible	Ext Cool
DWO 1530100	Broaching / Slotting Tool H=85mm	4:1	2000	X	X

TMX8MYi - TMX8MYSi - TMX10MYi - TMX10MYSi (BMT65)

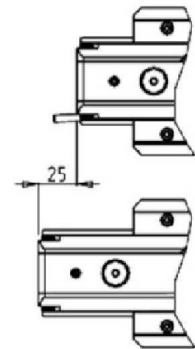
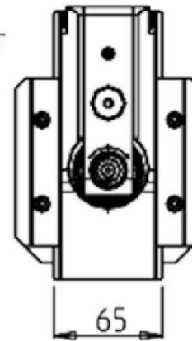
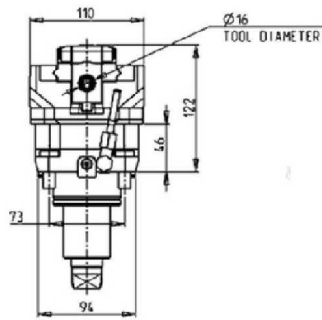
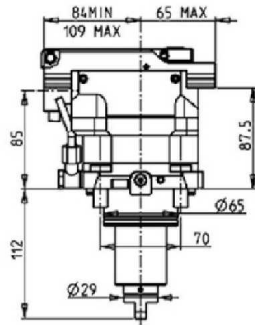
DRIVEN

BROACHING/SLOTING TOOL 25mm STROKE H=100mm



Part Number	Description	I	RPM MAX	Reversible	Ext Cool
DWO 1520200	Broaching / Slotting Tool H=100mm	4:1	2400	X	X

BROACHING/SLOTING TOOL 25mm STROKE H=85mm

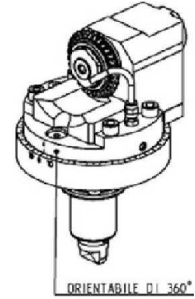
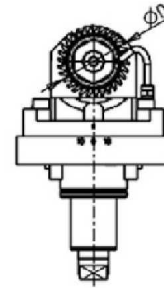
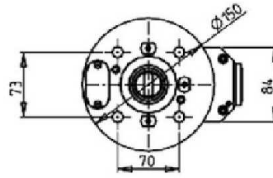
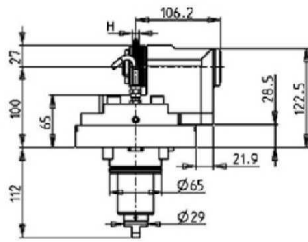
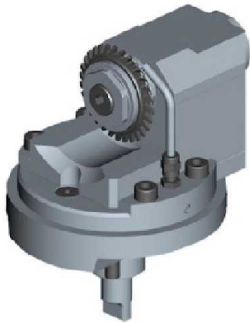


Part Number	Description	I	RPM MAX	Reversible	Ext Cool
DWO 1530200	Broaching / Slotting Tool H=85mm	4:1	2400	X	X

TMX8MYi - TMX8MYSi - TMX10MYi - TMX10MYSi (BMT65)

DRIVEN

WORM GEAR DRIVEN TOOL



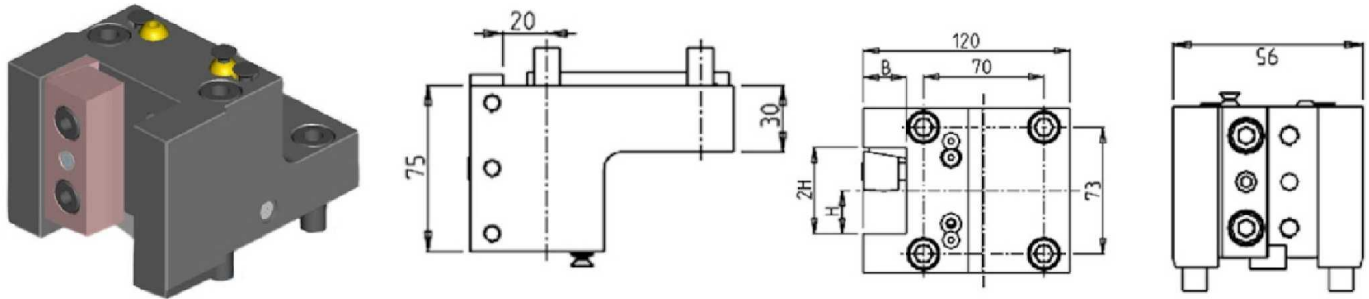
Part Number	Description	Spindle	I	RPM	Reversible	Ext Cool	Ø D	H
DWO 2928125	Driven Worm Gear Tool 1"x12mm	Ø1"x12	1:1	6000	X	X	63-70-80	MAX 12
DWO 2928022	Driven Worm Gear Tool 22mmx12mm	Ø22x12	1:1	6000	X	X	63-70-80	MAX 12

Note : Wrenches are provided with the purchase of Specialty Toolholders

TMX8MYi - TMX8MYSi - TMX10MYi - TMX10MYSi (BMT65)

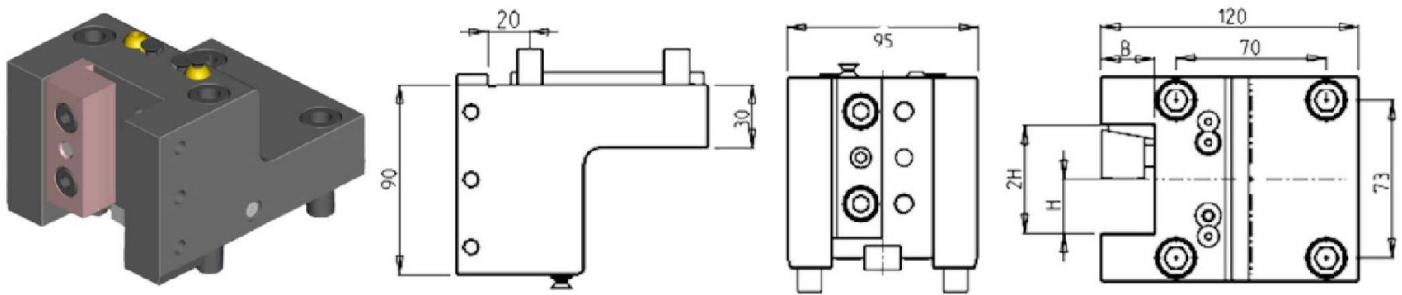
STATIC

RADIAL SINGLE STATIC TOOL H=75mm



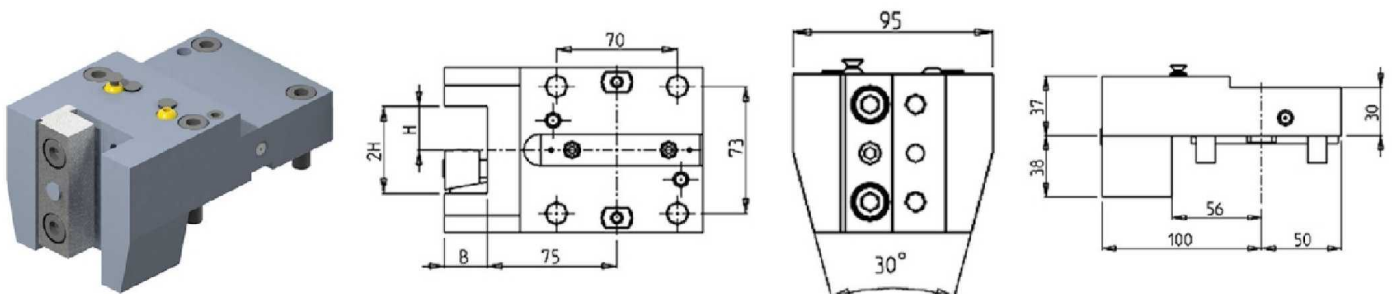
Part Number	Description	# of Tools	Reversible	Cool Thru	Ext Cool	Dimensions	B	H
DWO 1422540	Radial Static Tool: 1"	1	X		X	Inch	1"	1"
DWO 1422500	Radial Static Tool: 25mm	1	X		X	mm	25	25
DWO 1422510	Radial Static Tool: 25mm Cool Thru	1	X	X	X	mm	25	25

RADIAL SINGLE STATIC TOOL H=90mm



Part Number	Description	# of Tools	Reversible	Dimensions	B	H
DWO 0482540	Radial Static Tool: 1" H=90mm	1	X	Inch	1"	1"
DWO 0482000	Radial Static Tool: 20mm H=90mm	1	X	mm	20	20
DWO 0482500	Radial Static Tool: 25mm H=90mm	1	X	mm	25	25

RADIAL REAR-SET SINGLE STATIC TOOL

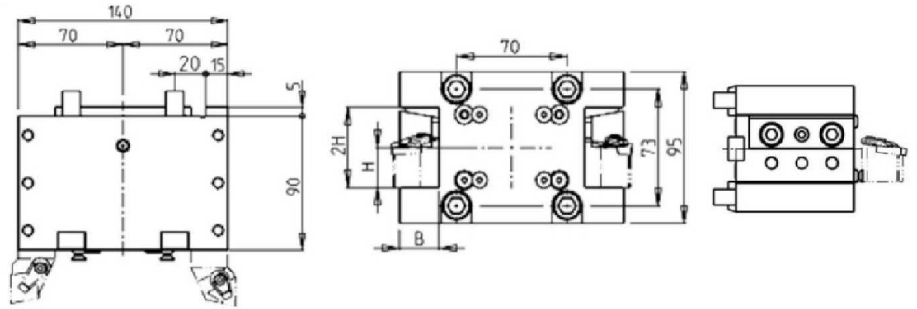
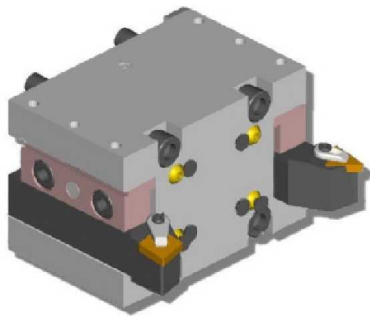


Part Number	Description	# of Tools	Dimensions	B	H
DWO 3652500	Radial Rear-Set Single Static Tool \varnothing 25mm	1	mm	25	25

TMX8MYi - TMX8MYSi - TMX10MYi - TMX10MYSi (BMT65)

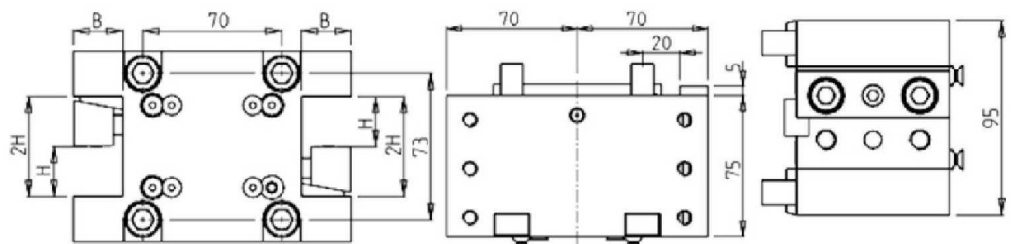
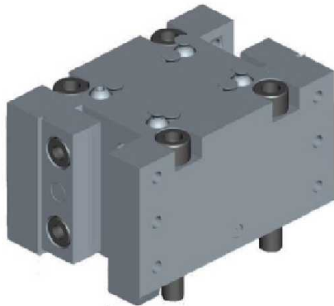
STATIC

RADIAL DOUBLE STATIC TOOL H=90mm



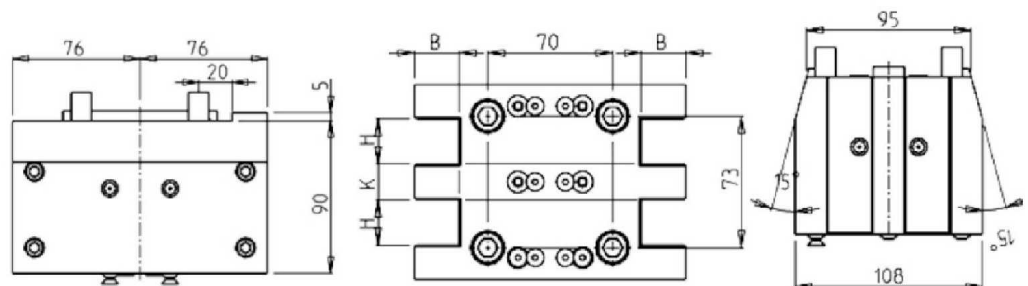
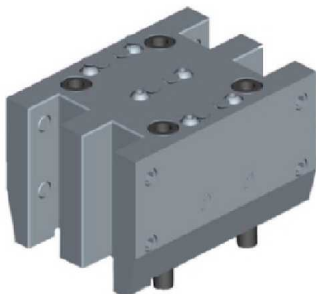
Part Number	Description	# of Tools	Reversible	Cool Thru	Ext Cool	Dimensions	B	H
DWO 0272540	Radial Double Static Tool 1"	2	X		X	Inch	1"	1"
DWO 0272000	Radial Double Static Tool \varnothing 20mm	2	X		X	mm	20	20
DWO 0272500	Radial Double Static Tool \varnothing 25mm	2	X		X	mm	25	25
DWO 0272510	Radial Double Static Tool \varnothing 25mm	2	X	X	X	mm	25	25

RADIAL DOUBLE STATIC TOOL H=75mm



Part Number	Description	# of Tools	Reversible	Dimensions	B	H
DWO 0672000	Radial Double Static Tool \varnothing 20mm	2	X	mm	20	20
DWO 0672500	Radial Double Static Tool \varnothing 25mm	2	X	mm	25	25

RADIAL DOUBLE SIDE TWIN STATIC TOOL

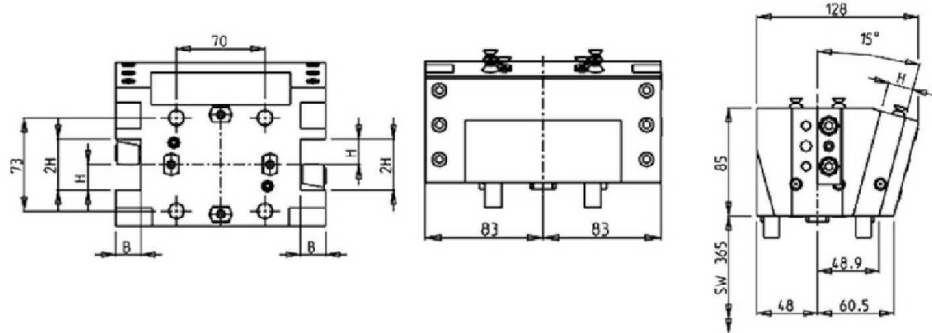
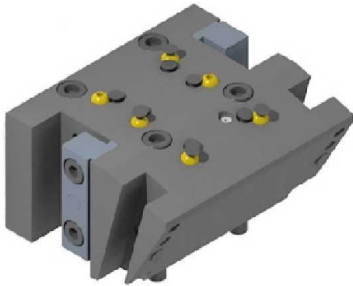


Part Number	Description	# of Tools	Reversible	Dimensions	H	K	B
DWO 0622540	Radial Double Side Twin Static Tool 1"	4	X	Inch	1"	3/4"	1"
DWO 0622500	Radial Double Side Twin Static Tool \varnothing 25mm	4	X	mm	25	20	25

TMX8MYi - TMX8MYSi - TMX10MYi - TMX10MYSi (BMT65)

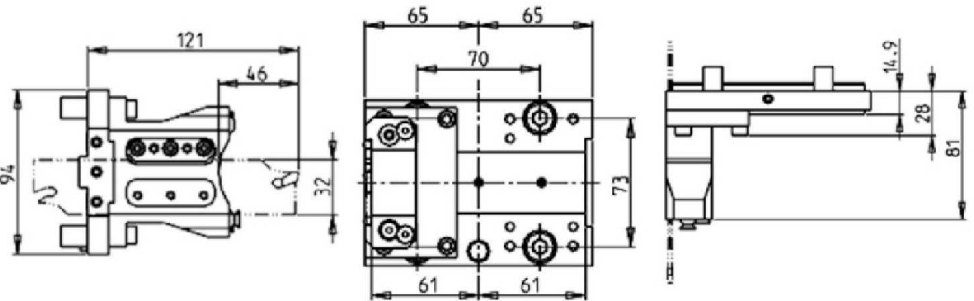
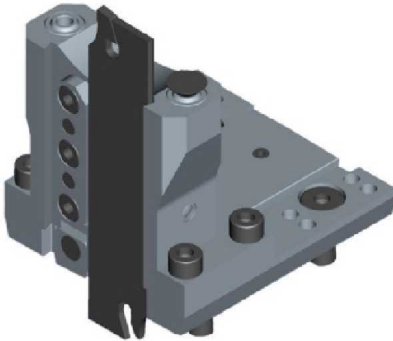
STATIC

RADIAL MULTIPLE STATIC TOOL



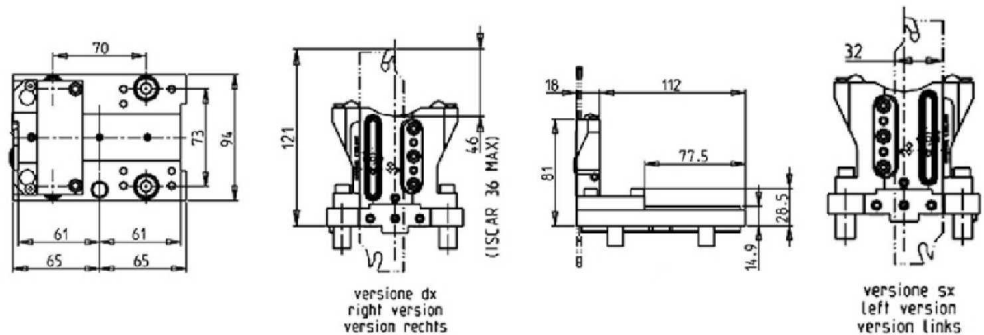
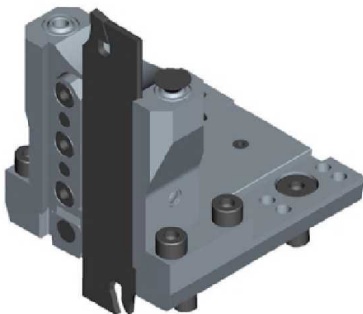
Part Number	Description	# of Tools	Ext Cool	Dimensions	B	H
DWO 3891905	Radial Multiple Static Tool 3/4"	4	X	Inch	3/4"	3/4"
DWO 3892000	Radial Multiple Static Tool Ø20mm	4	X	mm	20	20

RADIAL BLADE HOLDER WITH BLADE KIT



Part Number	Description	# of Tools	Reversible	Ext Cool
DWO 1410132	Radial Blade Holder with Blade Kit	1	X	X
BLADEKIT	Blade Kit: 1 Blade, 10 Inserts			

RADIAL BLADE HOLDER WITH INTERNAL COOLANT-BLADE KIT NOT INCLUDED

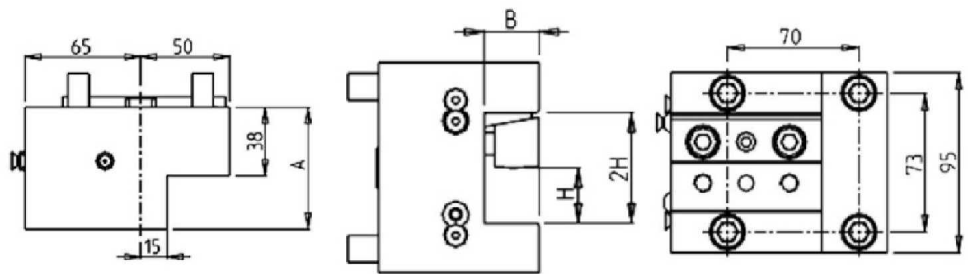
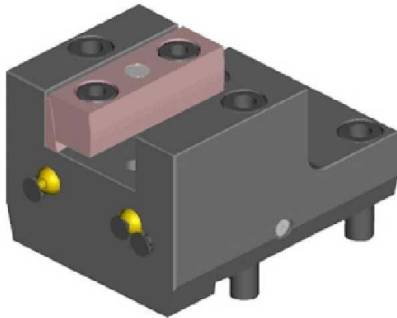


Part Number	Description	# of Tools	Reversible	Ext Cool	Cool Thru
DWO 1730132R	Radial Blade Holder with Cool Thru (Right Hand)	1	X	X	X
DWO 1730132L	Radial Blade Holder with Cool Thru (Left Hand)	1	X	X	X
COOL THRU BLADEKIT	Blade Kit: 1 Blade, 10 Inserts				

TMX8MYi - TMX8MYSi - TMX10MYi - TMX10MYSi (BMT65)

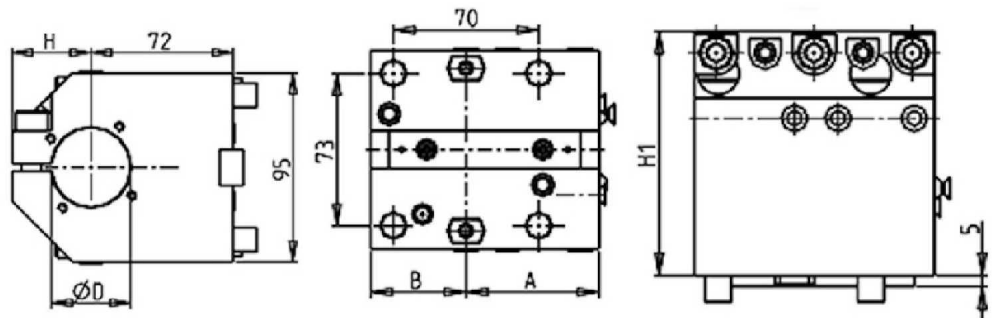
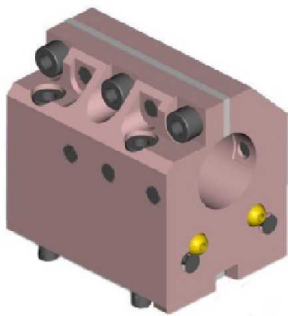
STATIC

AXIAL SINGLE STATIC TOOL



Part Number	Description	# of Tools	Reversible	Cool Thru	Ext Cool	Dimensions	A	B	H
DWO 1452540	Axial Static Tool 1"	1	X		X	Inch	68	1"	1"
DWO 1452500	Axial Static Tool 25mm	1	X		X	mm	68	25	25
DWO 3462510	Axial Static Tool 25mm Cool Thru	1	X	X	X	mm	90	25	25

AXIAL SINGLE BORING BAR HOLDER H=72mm

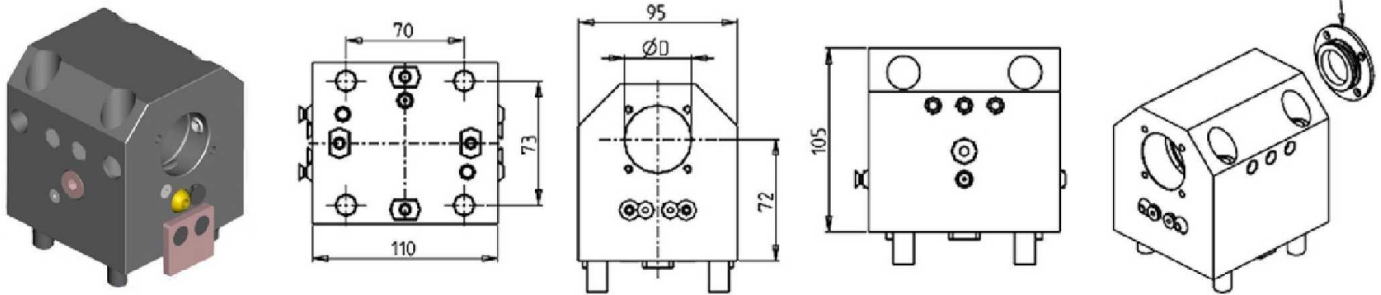


Part Number	Description	# of Tools	Reversible	Cool Thru	Ext. Cool	Dimensions	D	A	B	H	H1
0833810	Axial Single BBH: 1-1/2"	1	X	X	X	Inch	1 1/2"	64	46	40	112
0835080	Axial Single BBH: 2"	1	X	X	X	Inch	2"	64	46	46.5	118
0832500	Axial Single BBH: 25mm	1	X	X	X	mm	25	55	55	33	105
0834000	Axial Single BBH: 40mm	1	X	X	X	mm	40	64	46	40	112
0835000	Axial Single BBH: 50mm	1	X	X	X	mm	50	64	46	46.5	118
KIT 1003004	Plug & Seal Kit for 1 1/2" BBH to Make IC										
KIT 1003006	Plug & Seal Kit for 25mm BBH to Make IC										
KIT 1003003	Plug & Seal Kit for 40mm BBH to Make IC										
KIT 1003002	Plug & Seal Kit for 50mm or 2" BBH to Make IC										

TMX8MYi - TMX8MYSi - TMX10MYi - TMX10MYSi (BMT65)

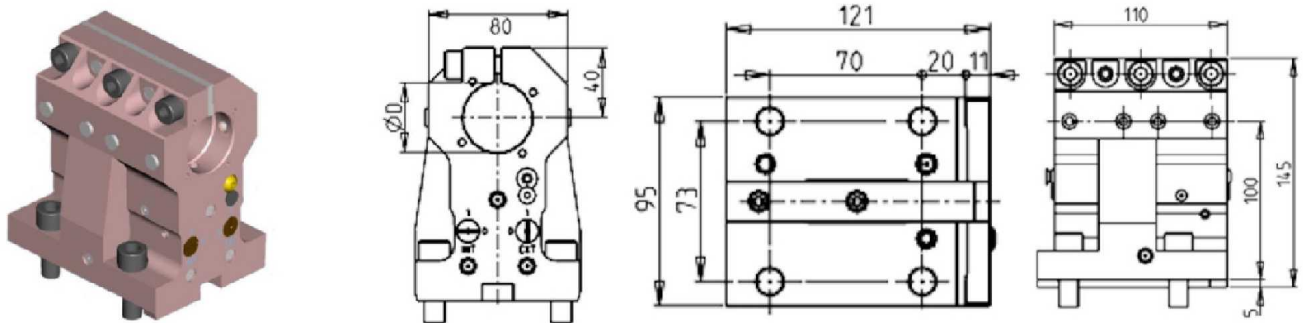
STATIC

AXIAL SINGLE BORING BAR HOLDER H=72mm



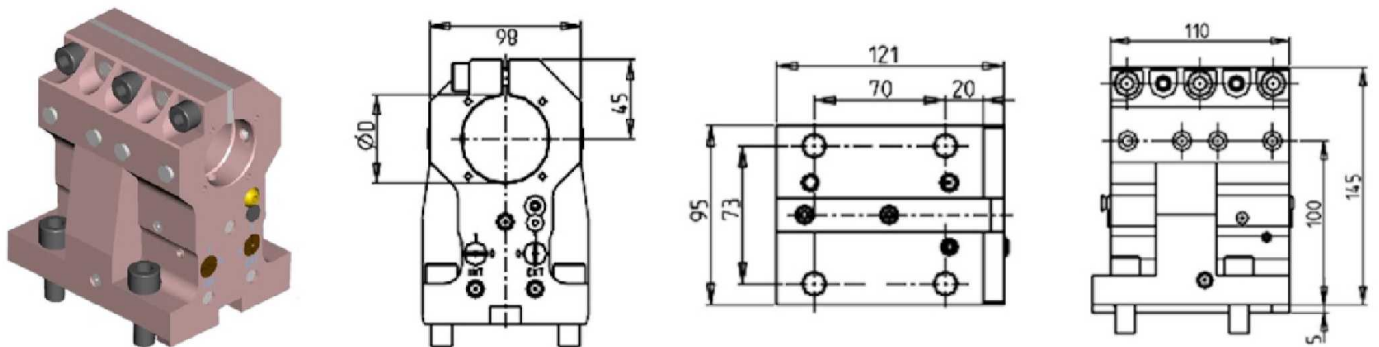
Part Number	Description	# of Tools	Reversible	Cool Thru	Ext Cool	Dimensions	D
DWO 2882500	Axial Single BBH 25mm	1	X	X	X	mm	25
DWO 2884000	Axial Single BBH 40mm	1	X	X	X	mm	40
KIT 1000006	Plug for 25mm BBH to Make Cool Thru						
KIT 1000003	Plug for 40mm BBH to Make Cool Thru						

AXIAL SINGLE BORING BAR HOLDER 40mm H=100mm



Part Number	Description	# of Tools	Reversible	Cool Thru	Ext. Cool	Dimensions	B
DWO 0204000	Axial Single BBH: 40mm, H=100mm	1	X	X	X	mm	40
KIT 1003003	Plug & Seal Kit for 40mm BBH to Make Cool Thru						

AXIAL SINGLE BORING BAR HOLDER 50mm H=100mm

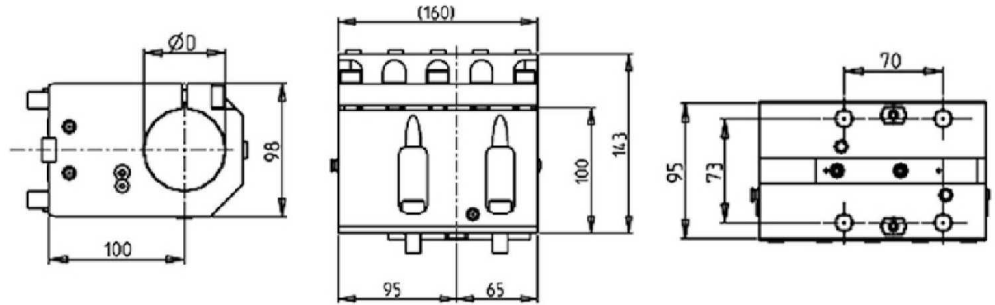
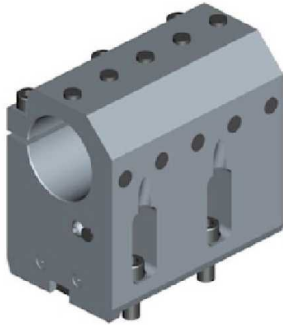


Part Number	Description	# of Tools	Reversible	Cool Thru	Ext Cool	Dimensions	D
DWO 0205000	Axial Single BBH: 50mm, H=100mm	1	X	X	X	mm	50
KIT 1003002	Plug & Seal Kit for 50mm BBH to Make Cool Thru						

TMX8MYi - TMX8MYSi - TMX10MYi - TMX10MYSi (BMT65)

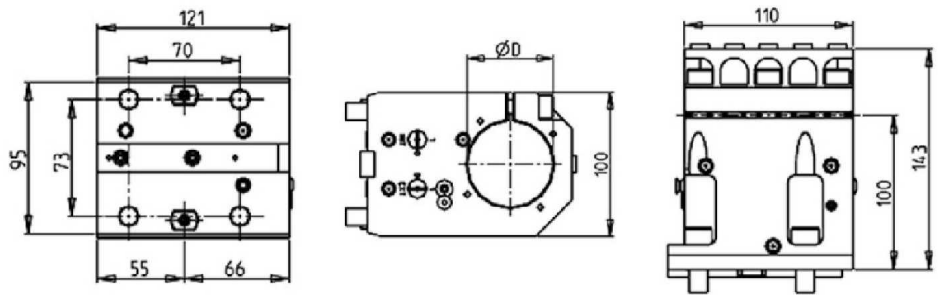
STATIC

AXIAL SINGLE BORING BAR HOLDER 60mm H=100mm



Part Number	Description	# of Tools	Reversible	Ext Cool	Dimension	D
DWO 1446000	Axial Single BBH 60mm H=100mm	1	X	X	mm	60
KIT 1009025	Plug & Seal Kit for 60mm BBH to Make Cool Thru					

AXIAL SINGLE BORING BAR HOLDER 60mm H=100mm

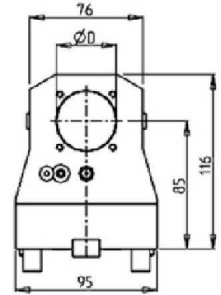
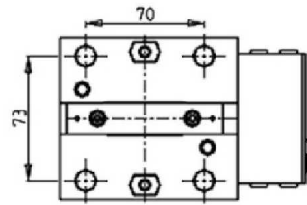
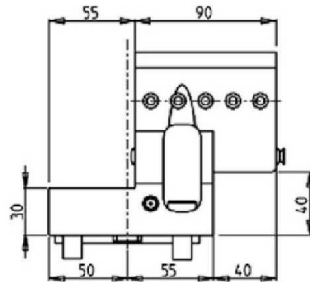


Part Number	Description	# of Tools	Reversible	Cool Thru	Dimensions	D
DWO 0746000	Axial Single BBH: 60mm	1	X	X	mm	60
KIT 1003025	Plug & Seal Kit for 60mm BBH to Make Cool Thru					

TMX8MYi - TMX8MYSi - TMX10MYi - TMX10MYSi (BMT65)

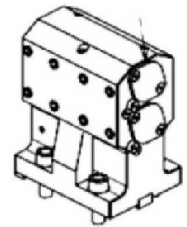
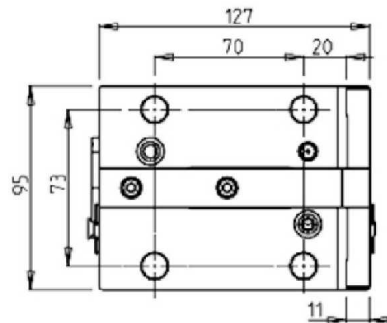
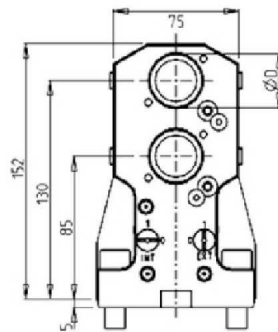
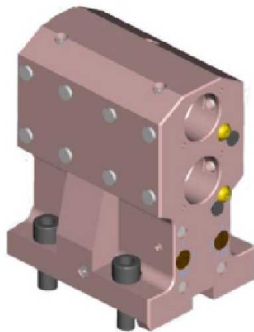
STATIC

AXIAL REAR SET BORING BAR HOLDER H=85mm



Part Number	Description	Reversible	Cool Thru	Ext Cool	Dimensions	D
DWO 3853810	Axial Rear Set BBH 1-1/2"	X	X	X	Inch	1-1/2"
DWO 3854000	Axial Rear Set BBH Ø40mm	X	X	X	mm	40
KIT 1000004	Plug for 1-1/2" BBH to Make Cool Thru					
KIT 1000003	Plug for 40mm BBH to Make Cool Thru					

AXIAL DOUBLE BORING BAR HOLDER

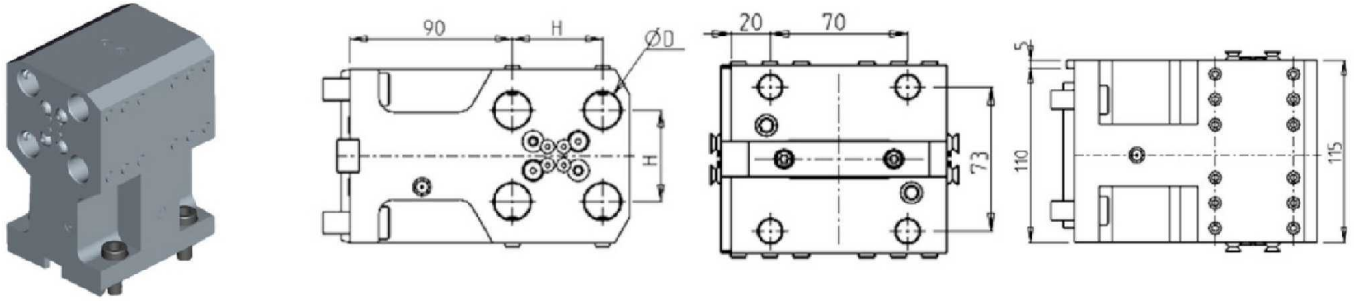


Part Number	Description	# of Tools	Reversible	Cool Thru	Ext. Cool	Dimensions	B
DWO 0213175	Axial Double BBH: 1 1/4"	2+2	X	X	X	Inch	1 1/4"
DWO 0213200	Axial Double BBH: 32mm	2+2	X	X	X	mm	32
KIT 1000001	Plug for 32mm or 1 1/4" BBH to Make Cool Thru						

TMX8MYi - TMX8MYSi - TMX10MYi - TMX10MYSi (BMT65)

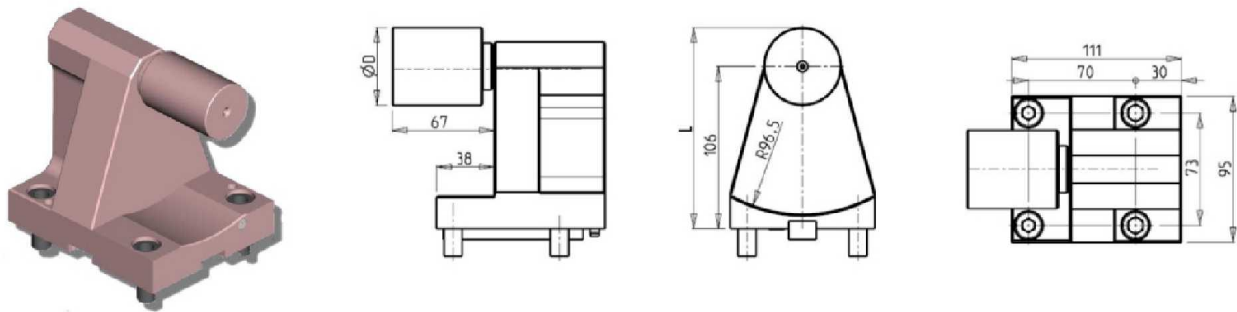
STATIC

AXIAL 4 + 4 POSITION BORING BAR HOLDER



Part Number	Description	# of Tools	Reversible	Ext. Cool	Dimensions	D	H
DWO 0631905	Axial 4+4 BBH: 3/4"	4+4	X	X	Inch	3/4"	2"
DWO 0632000	Axial 4+4 BBH: 20mm	4+4	X	X	mm	20	50

TAILSTOCK FOR SUBSPINDLE

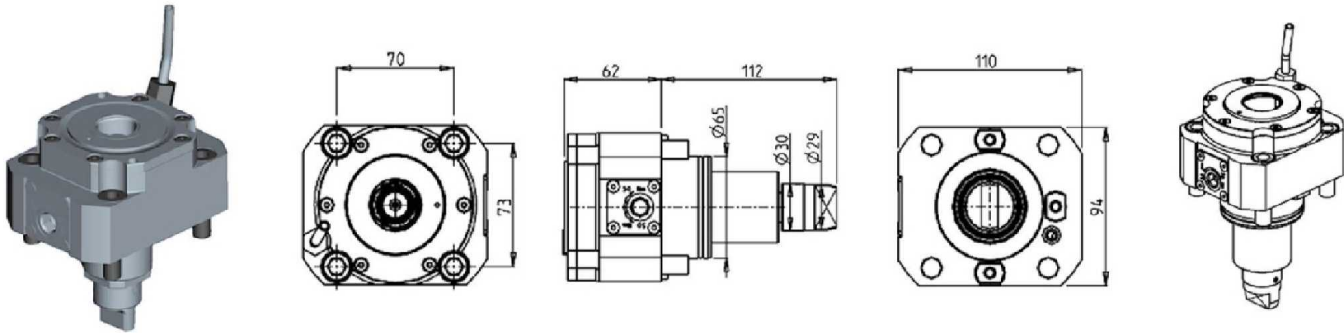


Part Number	Description	# of Tools	D	L
0820200L	Tailstock for Sub Spindle 2"	1	2"	131.4
0820200	Tailstock for Sub Spindle 38mm	1	38	125
080003	Removable Tailstock Center			

TMX8MYi - TMX8MYSi - TMX10MYi - TMX10MYSi (BMT65)

DRIVEN

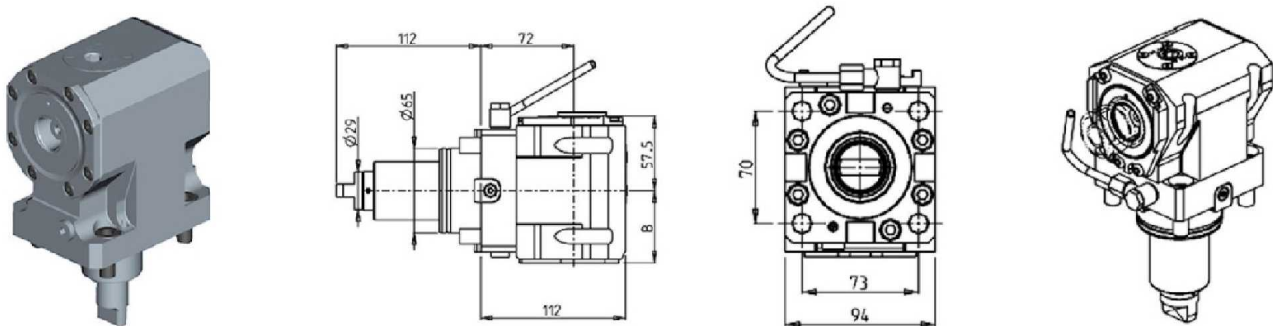
RADIAL DRIVEN TOOL CAPTO C4



Part Number	Description	Size	I	RPM	Cool Thru	Ext Cool
DWO 3150140	Radial Driven Tool Capto C4	C4	1:1	6000		X
DWO 3150240	Radial Driven Tool Capto C4 Cool Thru*	C4	1:1	6000	X	X

* Coolant Thru tools are designed for 1000 psi.
They require 5 Micron Filtration and **CANNOT** be run dry.

AXIAL DRIVEN TOOL CAPTO C4 H=72mm



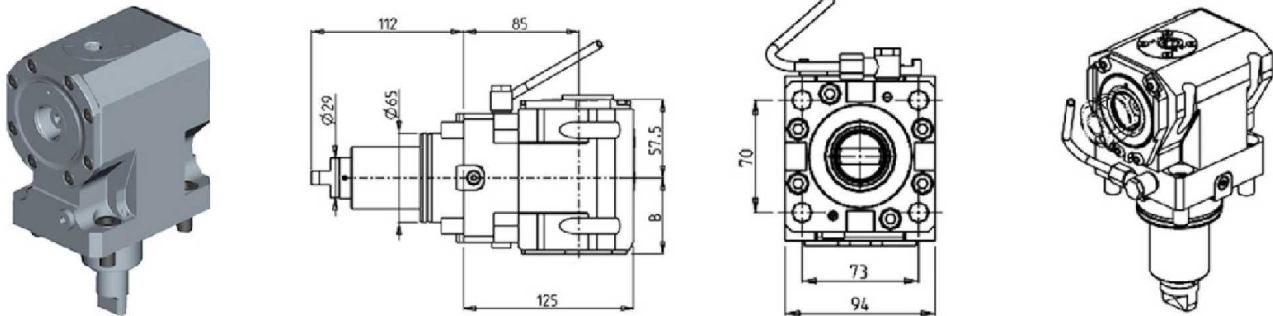
Part Number	Description	Size	I	RPM	Reversible	Cool Thru	Ext Cool	B
DWO 3080140	Axial Driven Tool Capto C4	C4	1:1	6000	X		X	55.5
DWO 3080240	Axial Driven Tool Capto C4 Cool Thru*	C4	1:1	6000	X	X	X	66.5

* Coolant Thru tools are designed for 1000 psi.
They require 5 Micron Filtration and **CANNOT** be run dry.

TMX8MYi - TMX8MYSi - TMX10MYi - TMX10MYSi (BMT65)

DRIVEN

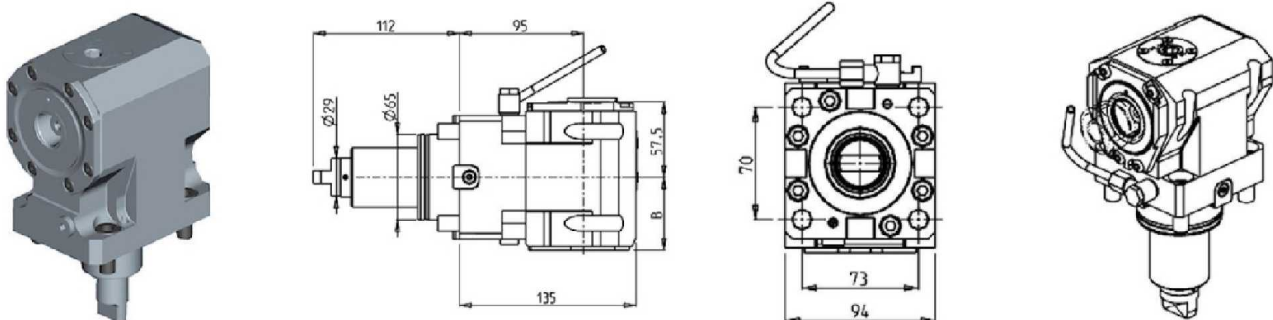
AXIAL DRIVEN TOOL CAPTO C4 H=85mm



Part Number	Description	Size	I	RPM	Reversible	Cool Thru	Ext Cool	B
DWO 3110140	Axial Driven Tool Capto C4	C4	1:1	6000	X		X	55.5
DWO 3110240	Axial Driven Tool Capto C4 Cool Thru*	C4	1:1	6000	X	X	X	66.5

* Coolant Thru tools are designed for 1000 psi.
They require 5 Micron Filtration and **CANNOT** be run dry.

AXIAL DRIVEN TOOL CAPTO C4 H=95mm



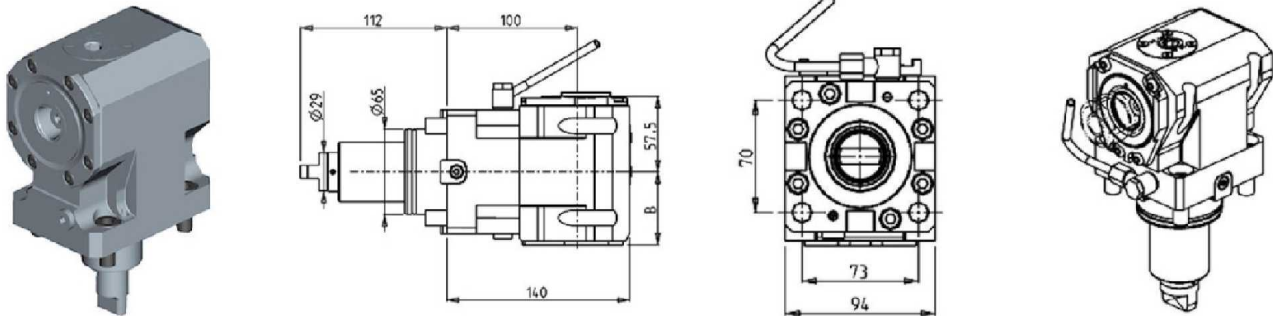
Part Number	Description	Size	I	RPM	Reversible	Cool Thru	Ext Cool	B
DWO 3120140	Axial Driven Tool Capto C4	C4	1:1	6000	X		X	55.5
DWO 3120240	Axial Driven Tool Capto C4 Cool Thru*	C4	1:1	6000	X	X	X	66.5

* Coolant Thru tools are designed for 1000 psi.
They require 5 Micron Filtration and **CANNOT** be run dry.

TMX8MYi - TMX8MYSi - TMX10MYi - TMX10MYSi (BMT65)

DRIVEN

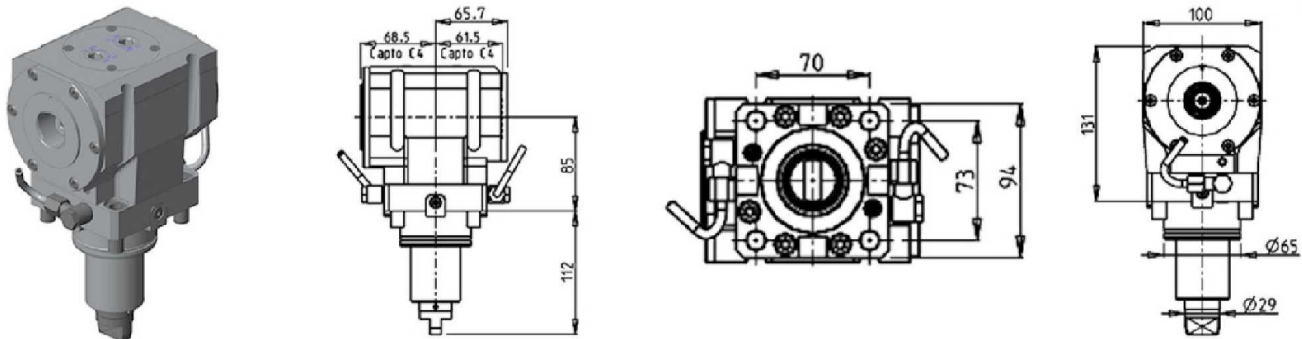
AXIAL DRIVEN TOOL CAPTO C4 H=100mm



Part Number	Description	Size	I	RPM	Reversible	Cool Thru	Ext Cool	B
DWO 3130140	Axial Driven Tool Capto C4	C4	1:1	6000	X		X	55.5
DWO 3130240	Axial Driven Tool Capto C4 Cool Thru*	C4	1:1	6000	X	X	X	66.5

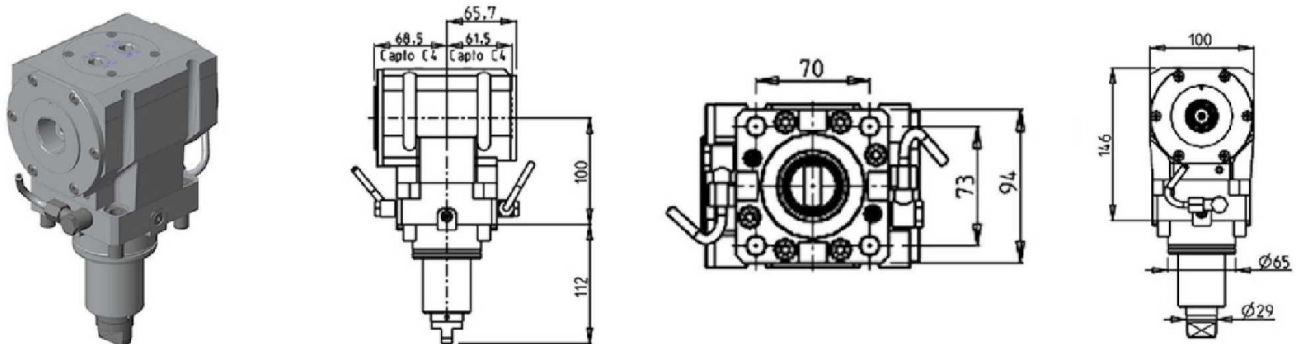
* Coolant Thru tools are designed for 1000 psi. They require 5 Micron Filtration and **CANNOT** be run dry.

AXIAL OPPOSITE FACE TWIN DRIVEN TOOL CAPTO C4 H=85mm



Part Number	Description	Size	I	RPM	Reversible	Ext Cool
DWO 3140240	Axial Opposite Face Twin Capto C4+C4	C4+C4	1:1	6000	X	X

AXIAL OPPOSITE FACE TWIN DRIVEN TOOL CAPTO C4 H=100mm

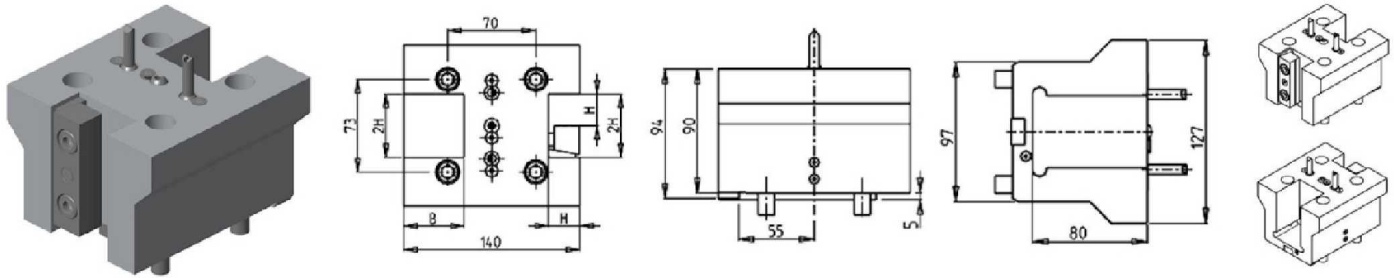


Part Number	Description	Size	I	RPM	Reversible	Ext Cool
DWO 3770240	Axial Opposite Face Twin Capto C4+C4	C4+C4	1:1	6000	X	X

TMX8MYi - TMX8MYSi - TMX10MYi - TMX10MYSi (BMT65)

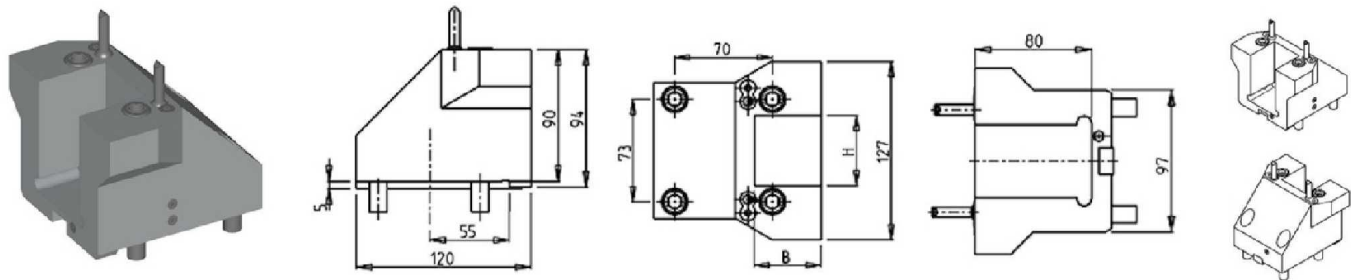
STATIC

RADIAL DOUBLE STATIC TOOL WITH SEAT FOR CAPTO CONNECTION



Part Number	Description	# of Tools	Reversible	Dimensions	H	B
0875000	Radial Double Static 25mm with Capto Connection	2	X	mm	25	48

RADIAL TOOL WITH SEAT FOR CAPTO CONNECTION

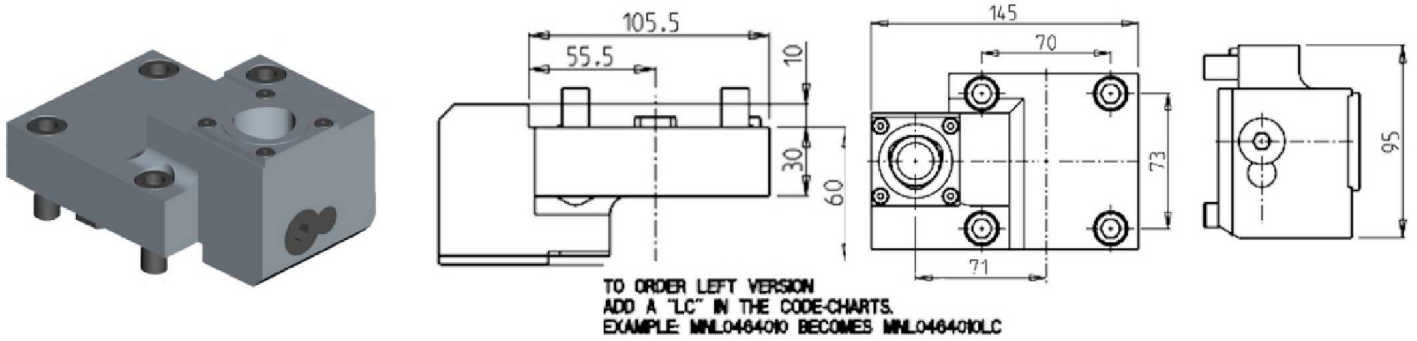


Part Number	Description	# of Tools	Reversible	Dimensions	H	B
0885000	Radial Tool with Seat for Capto Connection	1	X	mm	50	48

TMX8MYi - TMX8MYSi - TMX10MYi - TMX10MYSi (BMT65)

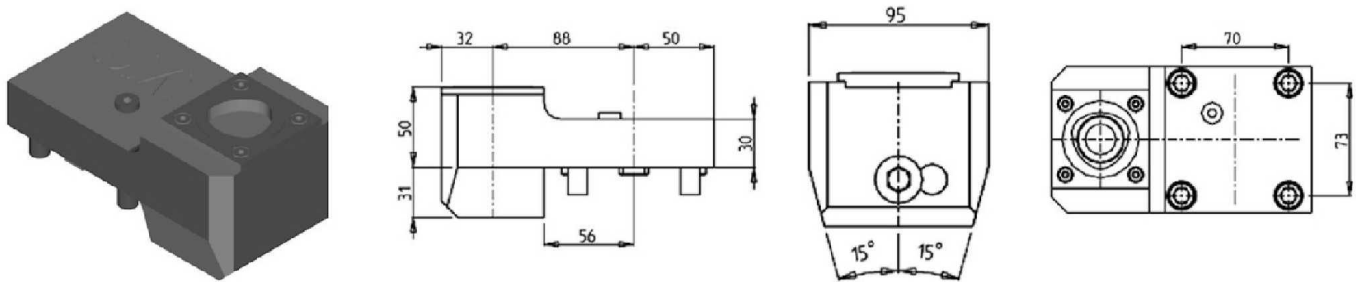
STATIC

RADIAL SINGLE REAR-SET STATIC CAPTO C4



Part Number	Description	# of Tools	Cool Thru	Ext Cool	Reversible	Size
DWO 1384010	Rear-Set Radial Static Capto C4 Right Hand	1	X	X	X	C4
DWO 1384010LC	Rear-Set Radial Static Capto C4 Left Hand	1	X	X	X	C4

RADIAL SINGLE REAR-SET STATIC CAPTO C5

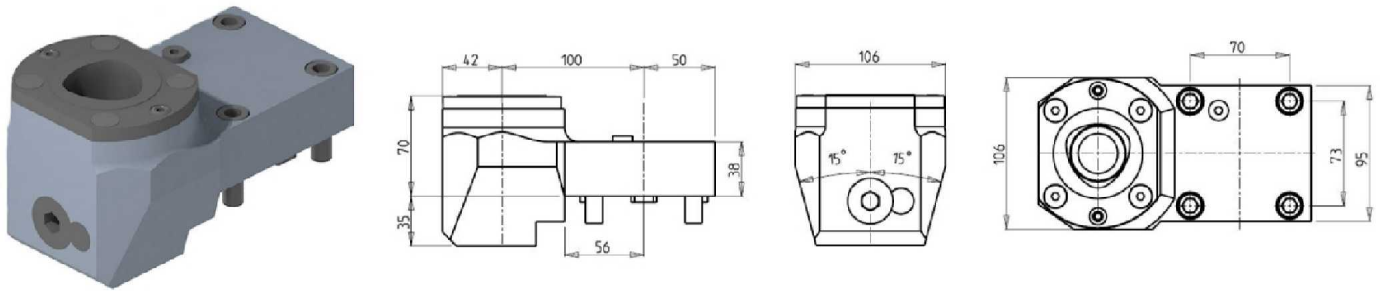


Part Number	Description	# of Tools	Cool Thru	Ext Cool	Reversible	Size
DWO 3505010	Radial Single Rear-Set Capto C5 Right Hand	1	X	X	X	C5
DWO 3505010LC	Radial Single Rear-Set Capto C5 Left Hand	1	X	X	X	C5

TMX8MYi - TMX8MYSi - TMX10MYi - TMX10MYSi (BMT65)

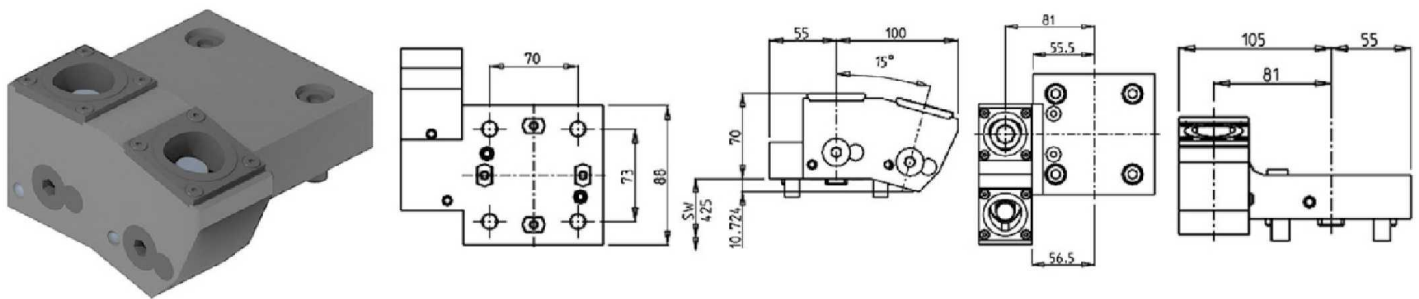
STATIC

RADIAL SINGLE REAR-SET STATIC CAPTO C6



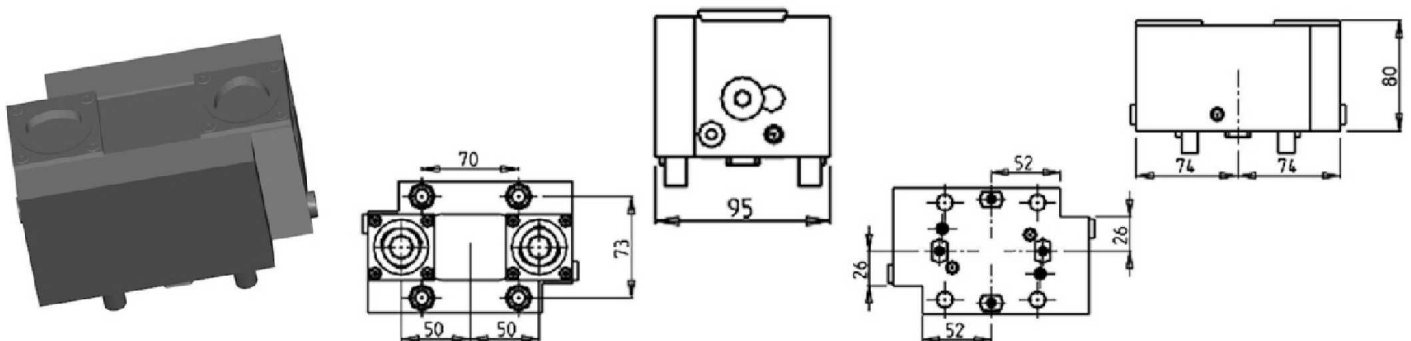
Part Number	Description	# of Tools	Cool Thru	Ext Cool	Reversible	Size
DWO 3176010	Radial Single Rear-Set Capto C6 Right Hand	1	X	X	X	C6
DWO 3176010LC	Radial Single Rear-Set Capto C6 Left Hand	1	X	X	X	C6

RADIAL MULTIPLE STATIC TOOL CAPTO C4



Part Number	Description	# of Tools	Cool Thru	Ext Cool	Size
DWO 3954020	Radial Multiple Static Tool Capto C4 Right Hand	2	X	X	C4
DWO 3954020LC	Radial Multiple Static Tool Capto C4 Left Hand	2	X	X	C4

RADIAL DOUBLE STATIC TOOL CAPTO C4

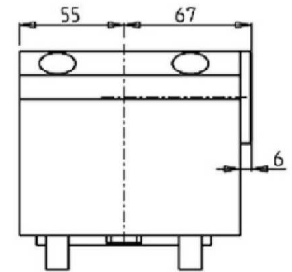
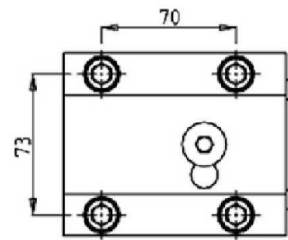
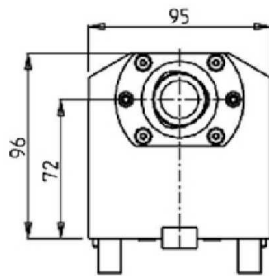


Part Number	Description	# of Tools	Cool Thru	Ext Cool	Reversible	Size
DWO 3424020	Radial Double Static Tool Capto C4 Right Hand	1+1	X	X	X	C4
DWO 3424020LC	Radial Double Static Tool Capto C4 Left Hand	1+1	X	X	X	C4

TMX8MYi - TMX8MYSi - TMX10MYi - TMX10MYSi (BMT65)

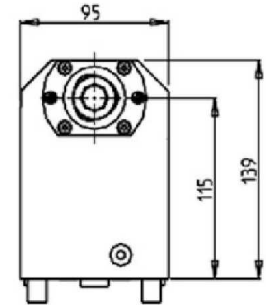
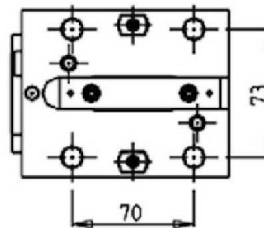
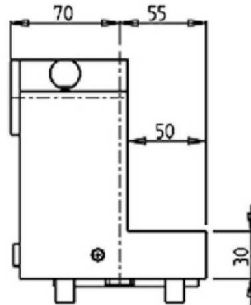
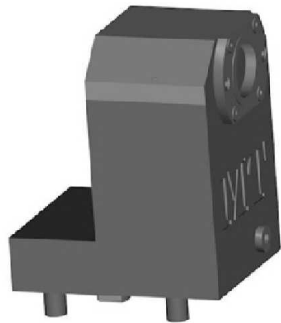
STATIC

AXIAL SINGLE STATIC TOOL CAPTO C4



Part Number	Description	# of Tools	Cool Thru	Reversible	Size
DWO 2644010	Axial Single Static Tool Capto C4 Right Hand	1	X	X	C4
DWO 2644010LC	Axial Single Static Tool Capto C4 Left Hand	1	X	X	C4

AXIAL SINGLE STATIC TOOL CAPTO C4

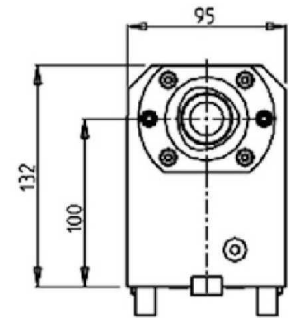
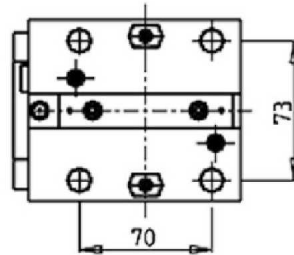
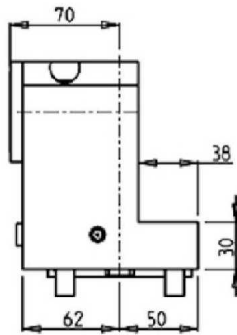
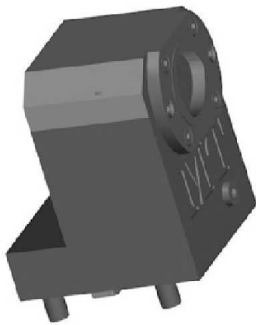


Part Number	Description	# of Tools	Cool Thru	Ext Cool	Reversible	Size
DWO 3414010	Axial Single Static Tool Capto C4 Right Hand	1	X	X	X	C4
DWO 3414010LC	Axial Single Static Tool Capto C4 Left Hand	1	X	X	X	C4

TMX8MYi - TMX8MYSi - TMX10MYi - TMX10MYSi (BMT65)

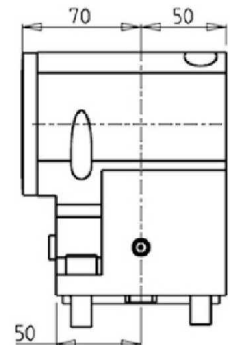
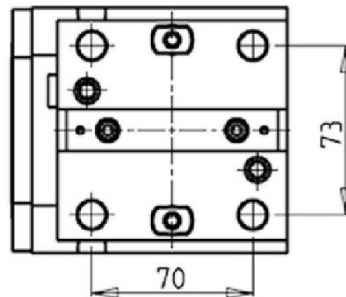
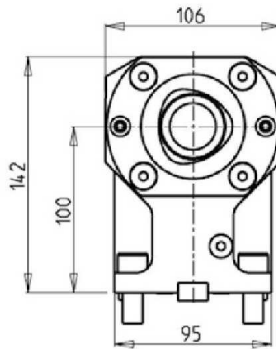
STATIC

AXIAL SINGLE STATIC TOOL CAPTO C5



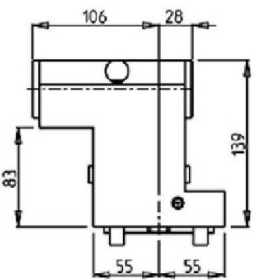
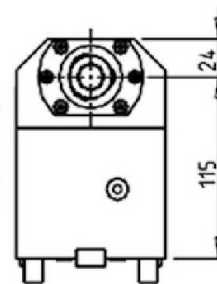
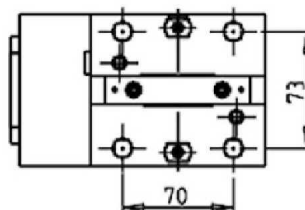
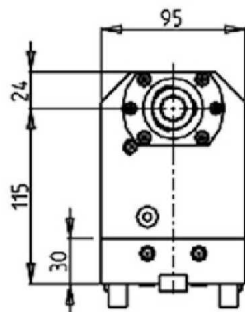
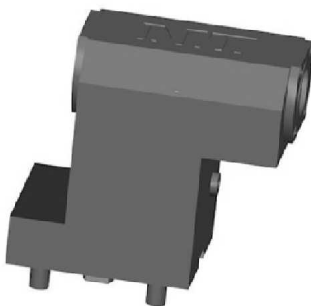
Part Number	Description	# of Tools	Cool Thru	Ext Cool	Reversible	Size
DWO 3515010	Axial Single Static Tool Capto C5 Right Hand	1	X	X	X	C5
DWO 3515010LC	Axial Single Static Tool Capto C5 Left Hand	1	X	X	X	C5

AXIAL SINGLE STATIC TOOL CAPTO C6



Part Number	Description	# of Tools	Cool Thru	Ext Cool	Reversible	Size
DWO 3166010	Axial Single Static Tool Capto C6 Right Hand	1	X	X	X	C6
DWO 3166010LC	Axial Single Static Tool Capto C6 Left Hand	1	X	X	X	C6

AXIAL OPPOSITE FACE REAR-SET TWIN STATIC CAPTO C4

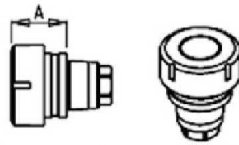


Part Number	Description	# of Tools	Cool Thru	Ext Cool	Reversible	Size
DWO 3404020	Axial Opposite Face Rear-Set Twin C4 Right Hand	1+1	X	X	X	C4
DWO 3404020LC	Axial Opposite Face Rear-Set Twin C4 Left Hand	1+1	X	X	X	C4

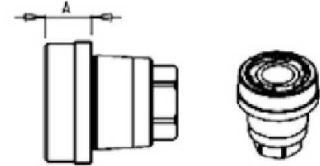
ACCESSORIES

DRIVEN

MTSK-40 ER ADAPTORS



Cod. MT	Mandrino Spindle	A
MTSK40A02	ER32	35.6
MTSK40A03	ER25	32.6
MTSK40A05	ER16	30.26
MTSK40A06	ER16	47.5
MTSK40A07	ER16	59
MTSK40A08	ER11	40
MTSK40A09	ER11	70



Cod. MT	Mandrino Spindel	A
MTSK40B02	ERA25	16
MTSK40B03	ERA20	14

Part Number	Description	Spindle	A
MTSK40A08	MTSK-40 Adaptor ER11	ER11	40
MTSK40A09	MTSK-40 Adaptor ER11	ER11	70
MTSK40A05	MTSK-40 Adaptor ER16	ER16	30.26
MTSK40A06	MTSK-40 Adaptor ER16	ER16	47.5
MTSK40A07	MTSK-40 Adaptor ER16	ER16	59
MTSK40B03	MTSK-40 Adaptor ERA20	ERA20	14
MTSK40A03	MTSK-40 Adaptor ER25	ER25	32.6
MTSK40B02	MTSK-40 Adaptor ERA25	ERA25	16
MTSK40A02	MTSK-40 Adaptor ER32	ER32	35.6

ACCESSORIES

DRIVEN

MTSK-40 MILL ADAPTORS



Cod. MT	Handline Spindle	A
MTSK40D01	WELDON 6	8
MTSK40D21	WELDON 6	27.5
MTSK40D02	WELDON 8	8
MTSK40D03	WELDON 10	9
MTSK40D04	WELDON 12	14
MTSK40D05	WELDON 16	39.5
MTSK40D07	WELDON 20	39.5
MTSK40D24	WELDON 10	33
MTSK40D25	WELDON 12	35.5

Cod. MT	Handline Spindle	A
MTSK40G03	MR25	33.6

Cod. MT	Handline Spindle	Measure	A	D	L
MTSK40D02	Ø 16x17	inch	15	16	17
MTSK40D03	Ø 22x19	inch	17	22	19
MTSK40D04	Ø 22x19	mm	22	22	21

Cod. MT	Handline Spindle	A
MTSK40D11	WELDON 1/4"	8
MTSK40D12	WELDON 5/16"	8
MTSK40D13	WELDON 3/8"	9
MTSK40D14	WELDON 1/2"	14

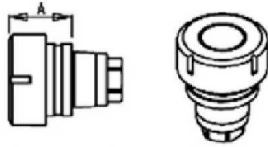
Cod. MT	Handline Spindle	Measure	A	D	L
MTSK40H01	MORSE-1	inch	29	1/2"	6.5
MTSK40H02	MORSE-2	inch	42	1/2"	6.5

Part Number	Description	Spindle	Dimension	A	D	L
MTSK40C03	MTSK-40 Adaptor Mill 3/4"	3/4"x3/4"	Inch	15.5	3/4"	3/4"
MTSK40C02	MTSK-40 Adaptor Mill 16x17	16x17	mm	15	16	17
MTSK40C04	MTSK-40 Adaptor Mill 22x19	22x19	mm	17	22	19
MTSK40C05	MTSK-40 Adaptor Mill 27x21	27x21	mm	22	27	21
MTSK40F01	MTSK-40 Adaptor Mill 1/2"	1/2" Arbor	Inch	32	1/2"	6.5
MTSK40D11	MTSK-40 Adaptor Weldon 1/4"	Weldon 1/4"		8		
MTSK40D12	MTSK-40 Adaptor Weldon 5/16"	Weldon 5/16"		8		
MTSK40D13	MTSK-40 Adaptor Weldon 3/8"	Weldon 3/8"		9		
MTSK40D14	MTSK-40 Adaptor Weldon 1/2"	Weldon 1/2"		14		
MTSK40D01	MTSK-40 Adaptor Weldon 6	Weldon 6		8		
MTSK40D21	MTSK-40 Adaptor Weldon 6	Weldon 6		27.5		
MTSK40D02	MTSK-40 Adaptor Weldon 8	Weldon 8		8		
MTSK40D03	MTSK-40 Adaptor Weldon 10	Weldon 10		9		
MTSK40D24	MTSK-40 Adaptor Weldon 10	Weldon 10		33		
MTSK40D04	MTSK-40 Adaptor Weldon 12	Weldon 12		14		
MTSK40D25	MTSK-40 Adaptor Weldon 12	Weldon 12		35.5		
MTSK40D06	MTSK-40 Adaptor Weldon 16	Weldon 16		39.5		
MTSK40D07	MTSK-40 Adaptor Weldon 20	Weldon 20		39.5		
MTSK40H01	MTSK-40 Adaptor Morse 1	MORSE-1		29		
MTSK40H02	MTSK-40 Adaptor Morse 2	MORSE-2		42		
MTSK40G03	MTSK-40 Adaptor MR25	MR25		33.6		
MTSK40T00	MTSK-40 Cover Plug					

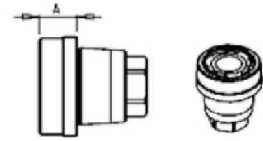
ACCESSORIES

DRIVEN

MTSK-50 ER ADAPTORS



Cod. MT	Mandrina Spindel	A
MTSK50A01	ER40	46.6
MTSK50A02	ER32	35.6
MTSK50A03	ER25	32.6
MTSK50A05	ER16	30.3



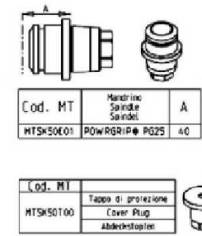
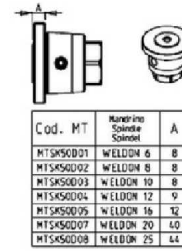
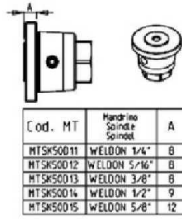
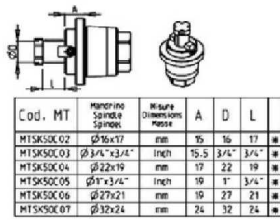
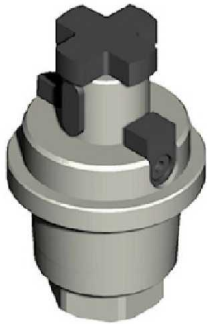
Cod. MT	Mandrina Spindel	A
MTSK50B01	ERA32	19
MTSK50B02	ERA25	14
MTSK50B03	ERA20	9

Part Number	Description	Spindle	A
MTSK50A05	MTSK-50 Adaptors ER16	ER16	30.3
MTSK50B03	MTSK-50 Adaptors ERA20	ERA20	9
MTSK50A03	MTSK-50 Adaptors ER25	ER25	32.6
MTSK50B02	MTSK-50 Adaptors ERA25	ERA25	14
MTSK50A02	MTSK-50 Adaptors ER32	ER32	35.6
MTSK50B01	MTSK-50 Adaptors ERA32	ERA32	19
MTSK50A01	MTSK-50 Adaptors ER40	ER40	46.6

ACCESSORIES

DRIVEN

MTSK-50 MILL ADAPTORS



Part Number	Description	Spindle	Dimensions	A	D	L
MTSK50C03	MTSK-50 Adaptors Mill	3/4"x3/4"	Inch	15.5	3/4"	3/4"
MTSK50C05	MTSK-50 Adaptors Mill	1"x3/4"	Inch	19	1"	3/4"
MTSK50C02	MTSK-50 Adaptors Mill	16x17	mm	15	16	17
MTSK50C04	MTSK-50 Adaptors Mill	22x19	mm	17	22	19
MTSK50C06	MTSK-50 Adaptors Mill	27x21	mm	19	27	21
MTSK50C07	MTSK-50 Adaptors Mill	32x24	mm	24	32	24
MTSK50D11	MTSK-50 Adaptor Weldon 1/4"	Weldon 1/4"		8		
MTSK50D12	MTSK-50 Adaptor Weldon 5/16"	Weldon 5/16"		8		
MTSK50D13	MTSK-50 Adaptor Weldon 3/8"	Weldon 3/8"		8		
MTSK50D14	MTSK-50 Adaptor Weldon 1/2"	Weldon 1/2"		9		
MTSK50D15	MTSK-50 Adaptor Weldon 5/8"	Weldon 5/8"		12		
MTSK50D01	MTSK-50 Adaptor Weldon 6	Weldon 6		8		
MTSK50D02	MTSK-50 Adaptor Weldon 8	Weldon 8		8		
MTSK50D03	MTSK-50 Adaptor Weldon 10	Weldon 10		8		
MTSK50D04	MTSK-50 Adaptor Weldon 12	Weldon 12		9		
MTSK50D05	MTSK-50 Adaptor Weldon 16	Weldon 16		12		
MTSK50D07	MTSK-50 Adaptor Weldon 20	Weldon 20		40		
MTSK50D08	MTSK-50 Adaptor Weldon 25	Weldon 25		44		
MTSK50E01	MTSK-50 Adaptor POWERGRIP PG25	POWERGRIP PG25		40		
MTSK50T00	MTSK-50 Cover Plug					

ER COLLETS

ER COLLET NUMBER	DESCRIPTION	MD LIST PRICE
ER20 SET	ER20 Collet Set (15 Collets)	\$ 330.00
ERX20 SET	ER20 Sealed Collet Set (13 Collets)	\$ 395.00
ER25 SET	ER25 Collet Set (19 Collets)	\$ 375.00
ERX25 SET	ER25 Sealed Collet Set (17 Collets)	\$ 475.00
ER32 SET	ER32 Collet Set (21 Collets)	\$ 425.00
ERX32 SET	ER32 Sealed Collet Set (21 Collets)	\$ 595.00
ER40 SET	ER40 Collet Set (29 Collets)	\$ 695.00
ERX40 SET	ER40 Sealed Collet Set (27 Collets)	\$ 850.00



Phone: (810) 632-4446 / Fax: (810) 632-4467

Table of Contents

Alphabetized Listing

	DRIVEN	1-26, 35-37, 43-46
	DRIVEN GEAR HOBBER	23
0	G	
0-180 ADJUSTABLE ANGLE DRIVEN TOOL GEARED-UP 1:2 H=72mm	22	GEAR HOBBER - REINFORCED 23
0-180 ADJUSTABLE ANGLE DRIVEN TOOL GEARED-UP 1:2 WITH DIGITAL DISPLAY H=72mm	22	
0-180 ADJUSTABLE ANGLE DRIVEN TOOL H=100mm	20	
0-180 ADJUSTABLE ANGLE DRIVEN TOOL H=54mm	19	
0-180 ADJUSTABLE ANGLE DRIVEN TOOL H=72mm	21	
0-180 ADJUSTABLE ANGLE DRIVEN TOOL WITH DIGITAL DISPLAY H=100mm	20	
0-180 ADJUSTABLE ANGLE DRIVEN TOOL WITH DIGITAL DISPLAY H=54mm	19	
0-180 ADJUSTABLE ANGLE DRIVEN TOOL WITH DIGITAL DISPLAY H=72mm	21	
A	M	
ACCESSORIES	43-46	MTSK-40 ER ADAPTORS 43
AXIAL 4 + 4 POSITION BORING BAR HOLDER	34	MTSK-40 MILL ADAPTORS 44
AXIAL DOUBLE BORING BAR HOLDER	33	MTSK-50 ER ADAPTORS 45
AXIAL DRIVEN TOOL CAPTO C4 H=100mm	37	MTSK-50 MILL ADAPTORS 46
AXIAL DRIVEN TOOL CAPTO C4 H=72mm	35	
AXIAL DRIVEN TOOL CAPTO C4 H=85mm	36	
AXIAL DRIVEN TOOL CAPTO C4 H=95mm	36	
AXIAL DRIVEN TOOL H=100mm	11	
AXIAL DRIVEN TOOL H=72mm	4	
AXIAL DRIVEN TOOL H=85mm	6	
AXIAL DRIVEN TOOL H=95mm	8	
AXIAL GEARED-DOWN 2:1 DRIVEN TOOL H=100mm	14	
AXIAL GEARED-UP 1:2 DRIVEN TOOL H=100mm	15	
AXIAL GEARED-UP 1:2 DRIVEN TOOL H=72mm	14	
AXIAL OPPOSITE FACE DRIVEN TOOL H=100mm	16	
AXIAL OPPOSITE FACE DRIVEN TOOL H=72mm	15	
AXIAL OPPOSITE FACE DRIVEN TOOL H=85mm	15	
AXIAL OPPOSITE FACE DRIVEN TOOL H=95mm	16	
AXIAL OPPOSITE FACE REAR-SET TWIN STATIC CAPTO C4	42	
AXIAL OPPOSITE FACE TWIN DRIVEN TOOL CAPTO C4 H=100mm	37	
AXIAL OPPOSITE FACE TWIN DRIVEN TOOL CAPTO C4 H=85mm	37	
AXIAL REAR SET BORING BAR HOLDER H=85mm	33	
AXIAL REAR-SET DRIVEN TOOL H=95mm	9	
AXIAL REINFORCED DRIVEN TOOL H=100mm	12	
AXIAL REINFORCED DRIVEN TOOL H=72mm	4	
AXIAL REINFORCED DRIVEN TOOL H=85mm	6	
AXIAL REINFORCED DRIVEN TOOL H=95mm	8	
AXIAL SINGLE BORING BAR HOLDER 40mm H=100mm	31	
AXIAL SINGLE BORING BAR HOLDER 50mm H=100mm	31	
AXIAL SINGLE BORING BAR HOLDER 60mm H=100mm	32	
AXIAL SINGLE BORING BAR HOLDER H=72mm	30	
AXIAL SINGLE BORING BAR HOLDER H=72mm	31	
AXIAL SINGLE SIDE TWIN HEAD DRIVEN TOOL IN Y H=100mm	18	
AXIAL SINGLE SIDE TWIN HEAD DRIVEN TOOL IN Y H=72mm	17	
AXIAL SINGLE SIDE TWIN HEAD DRIVEN TOOL IN Y H=85mm	17	
AXIAL SINGLE STATIC TOOL	30	
AXIAL SINGLE STATIC TOOL CAPTO C4	41	
AXIAL SINGLE STATIC TOOL CAPTO C4	41	
AXIAL SINGLE STATIC TOOL CAPTO C5	42	
AXIAL SINGLE STATIC TOOL CAPTO C6	42	
B	Q	
BROACHING/SLOTING TOOL 25mm STROKE H=100mm	25	QUICK CHANGE AXIAL MTSK DRIVEN TOOL H=100mm 13
BROACHING/SLOTING TOOL 25mm STROKE H=85mm	25	QUICK CHANGE AXIAL MTSK DRIVEN TOOL H=72mm 5
BROACHING/SLOTING TOOL 50mm STROKE H=100mm	24	QUICK CHANGE AXIAL MTSK DRIVEN TOOL H=85mm 7
BROACHING/SLOTING TOOL 50mm STROKE H=85mm	24	QUICK CHANGE AXIAL MTSK DRIVEN TOOL H=95mm 9
		QUICK CHANGE AXIAL MTSK REINFORCED DRIVEN TOOL H=100mm 13
		QUICK CHANGE AXIAL MTSK REINFORCED DRIVEN TOOL H=72mm 5
		QUICK CHANGE AXIAL MTSK REINFORCED DRIVEN TOOL H=85mm 7
		QUICK CHANGE AXIAL MTSK REINFORCED DRIVEN TOOL H=95mm 10
		QUICK CHANGE AXIAL MTSK-40 DRIVEN TOOL FOR POWER SKIVING H=100mm 24
		QUICK CHANGE RADIAL MTSK REINFORCED DRIVEN TOOL 1
	R	
		RADIAL BLADE HOLDER WITH BLADE KIT 29
		RADIAL BLADE HOLDER WITH INTERNAL COOLANT-BLADE KIT NOT INCLUDED 29
		RADIAL DOUBLE SIDE TWIN STATIC TOOL 28
		RADIAL DOUBLE STATIC TOOL CAPTO C4 40
		RADIAL DOUBLE STATIC TOOL H=75mm 28
		RADIAL DOUBLE STATIC TOOL H=90mm 28
		RADIAL DOUBLE STATIC TOOL WITH SEAT FOR CAPTO CONNECTION 38
		RADIAL DRIVEN TOOL CAPTO C4 35
		RADIAL GEARED-DOWN 2:1 DRIVEN TOOL REDIRECTED IN Z BY 80mm 2
		RADIAL GEARED-UP 1:2 DRIVEN TOOL REDIRECTED IN Z BY 36mm 2
		RADIAL INVERTED DRIVEN TOOL REDIRECTED IN Z BY 250mm 3
		RADIAL MULTIPLE STATIC TOOL 29
		RADIAL MULTIPLE STATIC TOOL CAPTO C4 40
		RADIAL REAR-SET SINGLE STATIC TOOL 27
		RADIAL REINFORCED DRIVEN TOOL 1
		RADIAL SINGLE REAR-SET STATIC CAPTO C4 39
		RADIAL SINGLE REAR-SET STATIC CAPTO C5 39
		RADIAL SINGLE REAR-SET STATIC CAPTO C6 40
		RADIAL SINGLE SIDE 3 OUTLET DRIVEN TOOL IN Y 3
		RADIAL SINGLE STATIC TOOL H=75mm 27
		RADIAL SINGLE STATIC TOOL H=90mm 27
		RADIAL SINGLE-SIDE TWIN HEAD DRIVEN TOOL IN Y-AXIS 2
		RADIAL TOOL WITH SEAT FOR CAPTO CONNECTION 38
	S	
		See Accessories for MTSK Quick Change Tool Holder Clamps 1, 5, 7, 9-10, 13, 24
		27-34, 38-42
		STATIC
	T	
		TAILSTOCK FOR SUBSPINDLE 34
		TMX8MYi - TMX8MYSi - TMX10MYi - TMX10MYSi (BMT65) 1-42
	W	
		WORM GEAR DRIVEN TOOL 26

D

Table of Contents

Part Number Index

O			DWO 1122225	Axial Single Side Twin ER25+ER25	17
0321100	Gear Hobbing Tool 1:1	23	DWO 1122325	Axial Single Side Twin ERA25+ERA25	17
0322100	Gear Hobbing Tool 2:1 Geared Down	23	DWO 1130125	Axial ER25 H=85mm	6
0700025	Radial Inverted 250mm Interaxis ER25	3	DWO 1130132	Axial ER32 H=85mm	6
0700032	Radial Inverted 250mm Interaxis ER32	3	DWO 1130140	Axial ER40 H=85mm	6
080003	Removable Tailstock Center	34	DWO 1130225	Axial ER25 H=85mm Cool Thru*	6
0820200	Tailstock for Sub Spindle 38mm	34	DWO 1130232	Axial ER32 H=85mm Cool Thru*	6
0820200L	Tailstock for Sub Spindle 2"	34	DWO 1130240	Axial ER40 H=85mm Cool Thru*	6
0832500	Axial Single BBH: 25mm	30	DWO 1130325	Axial ERA25 H=85mm	6
0833810	Axial Single BBH: 1-1/2"	30	DWO 1130425	Axial ERA25 H=85mm Cool Thru*	6
0834000	Axial Single BBH: 40mm	30	DWO 1130516	Axial Mill Head D=16mm, L=17mm	6
0835000	Axial Single BBH: 50mm	30	DWO 1130522	Axial Mill Head D=22mm, L=19mm	6
0835080	Axial Single BBH: 2"	30	DWO 1130527	Axial Mill Head D=27mm, L=21mm	6
0875000	Radial Double Static 25mm with Capto Connection	38	DWO 1140125	Axial ER25 H=100mm	11
0885000	Radial Tool with Seat for Capto Connection	38	DWO 1140132	Axial ER32 H=100mm	11
B			DWO 1140140	Axial ER40 H=100mm	11
BLADEKIT	Blade Kit: 1 Blade, 10 Inserts	29	DWO 1140225	Axial ER25 H=100mm Cool Thru*	11
C			DWO 1140232	Axial ER32 H=100mm Cool Thru*	11
COOL THRU	Blade Kit: 1 Blade, 10 Inserts	29	DWO 1140240	Axial ER40 H=100mm Cool Thru*	11
BLADEKIT			DWO 1140325	Axial ERA25 H=100mm	11
D			DWO 1140425	Axial ERA25 H=100mm Cool Thru*	11
DWO 0031100	Heavy Duty Gear Hobbing Tool 1:1	23	DWO 1140516	Axial Mill Head 16x17mm H=100mm	11
DWO 0032100	Heavy Duty Gear Hobbing Tool 2:1 Geared Down	23	DWO 1140522	Axial Mill Head 22x19mm H=100mm	11
DWO 0070232	Axial Double Outlet ER32+ER32	16	DWO 1140527	Axial Mill Head 27x21mm H=100mm	11
DWO 0073225	Axial Double Outlet ERA25+ERA32	16	DWO 1150132	Axial Opposite Face ER32+ER25 H=85mm	15
DWO 0140125	Geared-Up 1:2 Redirected 36mm ER25	2	DWO 1152520	Axial Opposite Face ERA25+ERA20 H=85mm	15
DWO 0204000	Axial Single BBH: 40mm, H=100mm	31	DWO 1160132	Axial Opposite Face ER32+ER25 H=100mm	16
DWO 0205000	Axial Single BBH: 50mm, H=100mm	31	DWO 1162520	Axial Opposite Face ERA25+ERA20 H=100mm	16
DWO 0213175	Axial Double BBH: 1 1/4"	33	DWO 1170140	Axial MTSK-40 H=72mm	5
DWO 0213200	Axial Double BBH: 32mm	33	DWO 1170150	Axial MTSK-50 H=72mm	5
DWO 0272000	Radial Double Static Tool Ø20mm	28	DWO 1170240	Axial MTSK-40 H=72mm Cool Thru*	5
DWO 0272500	Radial Double Static Tool Ø25mm	28	DWO 1170250	Axial MTSK-50 H=72mm Cool Thru*	5
DWO 0272510	Radial Double Static Tool Ø25mm	28	DWO 1180140	Axial MTSK-40 H=85mm	7
DWO 0272540	Radial Double Static Tool 1"	28	DWO 1180150	Axial MTSK-50 H=85mm	7
DWO 0482000	Radial Static Tool: 20mm H=90mm	27	DWO 1180240	Axial MTSK-40 H=85mm Cool Thru*	7
DWO 0482500	Radial Static Tool: 25mm H=90mm	27	DWO 1180250	Axial MTSK-50 H=85mm Cool Thru*	7
DWO 0482540	Radial Static Tool: 1" H=90mm	27	DWO 1190140	Axial MTSK-40 H=100mm	13
DWO 0540216	Radial Y-Axis Double Outlet ER16	2	DWO 1190150	Axial MTSK-50 H=100mm	13
DWO 0540225	Radial Y-Axis Double Outlet ER25	2	DWO 1190240	Axial MTSK-40 H=100mm Cool Thru*	13
DWO 0622500	Radial Double Side Twin Static Tool Ø25mm	28	DWO 1190250	Axial MTSK-50 H=100mm Cool Thru*	13
DWO 0622540	Radial Double Side Twin Static Tool 1"	28	DWO 1220225	Axial Single Side Twin ER25	17
DWO 0631905	Axial 4+4 BBH: 3/4"	34	DWO 1220325	Axial Single Side Twin ERA25	17
DWO 0632000	Axial 4+4 BBH: 20mm	34	DWO 1221225	Axial Single Side Twin ER25 Cool Thru	17
DWO 0672000	Radial Double Static Tool Ø20mm	28	DWO 1221325	Axial Single Side Twin ERA25 Cool Thru	17
DWO 0672500	Radial Double Static Tool Ø25mm	28	DWO 1222225	Axial Single Side Twin ER25+ER25	17
DWO 0700125	Axial ER25 H=72mm	4	DWO 1222325	Axial Single Side Twin ERA25+ERA25	17
DWO 0700132	Axial ER32 H=72mm	4	DWO 1230225	Axial Single Side Twin ER25	18
DWO 0700140	Axial ER40 H=72mm	4	DWO 1230325	Axial Single Side Twin ERA25	18
DWO 0700225	Axial ER25 H=72mm Cool Thru*	4	DWO 1231225	Axial Single Side Twin ER25 Cool Thru	18
DWO 0700232	Axial ER32 H=72mm Cool Thru*	4	DWO 1231325	Axial Single Side Twin ERA25 Cool Thru	18
DWO 0700240	Axial ER40 H=72mm Cool Thru*	4	DWO 1232225	Axial Single Side Twin ER25+ER25	18
DWO 0700325	Axial ERA25 H=72mm	4	DWO 1232325	Axial Single Side Twin ERA25+ERA25	18
DWO 0700425	Axial ERA25 H=72mm Cool Thru*	4	DWO 1350325	Radial ER25 Single Side 3 Outlet in Y	3
DWO 0700516	Axial Mill Head D=16mm, L=17mm	4	DWO 1384010	Rear-Set Radial Static Capto C4 Right Hand	39
DWO 0700522	Axial Mill Head D=22mm, L=19mm	4	DWO 1384010LC	Rear-Set Radial Static Capto C4 Left Hand	39
DWO 0700527	Axial Mill Head D=27mm, L=21mm	4	DWO 1410132	Radial Blade Holder with Blade Kit	29
DWO 0710125	Axial Geared-Up 1:2 ERA25	15	DWO 1422500	Radial Static Tool: 25mm	27
DWO 0710225	Axial Geared-Up 1:2 ERA25 Cool Thru*	15	DWO 1422510	Radial Static Tool: 25mm Cool Thru	27
DWO 0720132	Axial Opposite Face ER32+ER25 H=72mm	15	DWO 1422540	Radial Static Tool: 1"	27
DWO 0722520	Axial Opposite Face ERA25+ERA20 H=72mm	15	DWO 1446000	Axial Single BBH 60mm H=100mm	32
DWO 0746000	Axial Single BBH: 60mm	32	DWO 1452500	Axial Static Tool 25mm	30
DWO 1120225	Axial Single Side Twin ER25	17	DWO 1452540	Axial Static Tool 1"	30
DWO 1120325	Axial Single Side Twin ERA25	17	DWO 1520100	Broaching / Slotting Tool H=100mm	24
DWO 1121225	Axial Single Side Twin ER25 Cool Thru	17	DWO 1520200	Broaching / Slotting Tool H=100mm	25
DWO 1121325	Axial Single Side Twin ERA25 Cool Thru	17	DWO 1530100	Broaching / Slotting Tool H=85mm	24
			DWO 1530200	Broaching / Slotting Tool H=85mm	25
			DWO 1540132	Radial Reinforced ER32	1

Table of Contents

Part Number Index

DWO 1540140	Radial Reinforced ER40	1	DWO 2510125	Axial ER25 H=95mm	8
DWO 1540625	Radial Reinforced Weldon 25 Cool Thru*	1	DWO 2510132	Axial ER32 H=95mm	8
DWO 1540827	Radial Reinforced 27x21mm Cool Thru*	1	DWO 2510140	Axial ER40 H=95mm	8
DWO 1550140	Radial MTSK-40 Reinforced	1	DWO 2510225	Axial ER25 H=95mm Cool Thru*	8
DWO 1550150	Radial MTSK-50 Reinforced	1	DWO 2510232	Axial ER32 H=95mm Cool Thru*	8
DWO 1580332	Radial Geared-Down 2:1 Redirected 80mm in Z	2	DWO 2510240	Axial ER40 H=95mm Cool Thru*	8
DWO 1730132L	Radial Blade Holder with Cool Thru (Left Hand)	29	DWO 2510325	Axial ERA25 H=95mm	8
DWO 1730132R	Radial Blade Holder with Cool Thru (Right Hand)	29	DWO 2510425	Axial ERA25 H=95mm Cool Thru*	8
DWO 1770100	Axial MTSK-40 for Power Skiving	24	DWO 2510516	Axial 16x17mm H=95mm	8
DWO 1850120	0-180 Adj. Angle ER20 with Digital Display	19	DWO 2510522	Axial 22x19mm H=95mm	8
DWO 1850125	0-180 Adj. Angle ER25 with Digital Display	19	DWO 2510527	Axial 27x21mm H=95mm	8
DWO 1850516	0-180 Adj. Angle 16x17mm with Digital Display	19	DWO 2520132	Axial Opposite Face ER32+ERA25	16
DWO 1850519	0-180 Adj. Angle 3/4"x3/4" with Digital Display	19	DWO 2522520	Axial Opposite Face ERA25+ERA20	16
DWO 1850522	0-180 Adj. Angle 22x19mm with Digital Display	19	DWO 2530140	Axial MTSK-40 H=95mm	9
DWO 1860120	0-180 Adj. Angle ER20 with Digital Display	20	DWO 2530150	Axial MTSK-50 H=95mm	9
DWO 1860125	0-180 Adj. Angle ER25 with Digital Display	20	DWO 2530240	Axial MTSK-40 H=95mm Cool Thru*	9
DWO 1860516	0-180 Adj. Angle 16x17mm with Digital Display	20	DWO 2530250	Axial MTSK-50 H=95mm Cool Thru*	9
DWO 1860519	0-180 Adj. Angle 3/4"x3/4" with Digital Display	20	DWO 2540150	Axial Reinforced MTSK-50	10
DWO 1860522	0-180 Adj. Angle 22x19mm with Digital Display	20	DWO 2540250	Axial Reinforced MTSK-50 Cool Thru*	10
DWO 1920120	0-180 Adjustable Angle ER20	19	DWO 2570132	Axial Rear-Set ER32	9
DWO 1920125	0-180 Adjustable Angle ER25	19	DWO 2644010	Axial Single Static Tool Capto C4 Right Hand	41
DWO 1920516	0-180 Adjustable Angle 16x17mm	19	DWO 2644010LC	Axial Single Static Tool Capto C4 Left Hand	41
DWO 1920519	0-180 Adjustable Angle 3/4"x3/4"	19	DWO 2882500	Axial Single BBH 25mm	31
DWO 1920522	0-180 Adjustable Angle 22x19mm	19	DWO 2884000	Axial Single BBH 40mm	31
DWO 1930120	0-180 Adjustable Angle ER20	20	DWO 2928022	Driven Worm Gear Tool 22mmx12mm	26
DWO 1930125	0-180 Adjustable Angle ER25	20	DWO 2928125	Driven Worm Gear Tool 1"x12mm	26
DWO 1930516	0-180 Adjustable Angle 16x17mm	20	DWO 3080140	Axial Driven Tool Capto C4	35
DWO 1930519	0-180 Adjustable Angle 3/4"x3/4"	20	DWO 3080240	Axial Driven Tool Capto C4 Cool Thru*	35
DWO 1930522	0-180 Adjustable Angle 22x19mm	20	DWO 3110140	Axial Driven Tool Capto C4	36
DWO 1940120	0-180 Adjustable Angle ERA20	21	DWO 3110240	Axial Driven Tool Capto C4 Cool Thru*	36
DWO 1940220	0-180 Adjustable Angle ERA20 Cool Thru*	21	DWO 3120140	Axial Driven Tool Capto C4	36
DWO 1940316	0-180 Adj. Angle Geared-Up ERA16	22	DWO 3120240	Axial Driven Tool Capto C4 Cool Thru*	36
DWO 1940416	0-180 Adj. Angle Geared-Up ERA16 Cool Thru*	22	DWO 3130140	Axial Driven Tool Capto C4	37
DWO 1945120	0-180 Adj. Angle ERA20 with Digital Display	21	DWO 3130240	Axial Driven Tool Capto C4 Cool Thru*	37
DWO 1945220	0-180 Adj. Angle ERA20 with Digital Display Cool Thru*	21	DWO 3140240	Axial Opposite Face Twin Capto C4+C4	37
DWO 1945316	0-180 Adj. Angle Geared-Up ERA16 with Digital Display	22	DWO 3150140	Radial Driven Tool Capto C4	35
DWO 1945416	0-180 Adj. Angle Geared-Up ERA16 with Digital Display Cool Thru*	22	DWO 3150240	Radial Driven Tool Capto C4 Cool Thru*	35
DWO 2180150	Axial MTSK-50 H=72mm	5	DWO 3166010	Axial Single Static Tool Capto C6 Right Hand	42
DWO 2180250	Axial MTSK-50 H=72mm Cool Thru*	5	DWO 3166010LC	Axial Single Static Tool Capto C6 Left Hand	42
DWO 2190150	Axial MTSK-50 H=85mm	7	DWO 3176010	Radial Single Rear-Set Capto C6 Right Hand	40
DWO 2190250	Axial MTSK-50 H=85mm Cool Thru*	7	DWO 3176010LC	Radial Single Rear-Set Capto C6 Left Hand	40
DWO 2200150	Axial MTSK-50 H=100mm	13	DWO 3404020	Axial Opposite Face Rear-Set Twin C4 Right Hand	42
DWO 2200250	Axial MTSK-50 H=100mm Cool Thru*	13	DWO 3404020LC	Axial Opposite Face Rear-Set Twin C4 Left Hand	42
DWO 2360132	Axial Geared-Down 2:1 ER32	14	DWO 3414010	Axial Single Static Tool Capto C4 Right Hand	41
DWO 2360140	Axial Geared-Down 2:1 ER40	14	DWO 3414010LC	Axial Single Static Tool Capto C4 Left Hand	41
DWO 2360232	Axial Geared-Down 2:1 ER32 Cool Thru	14	DWO 3424020	Radial Double Static Tool Capto C4 Right Hand	40
DWO 2360240	Axial Geared-Down 2:1 ER40 Cool Thru	14	DWO 3424020LC	Radial Double Static Tool Capto C4 Left Hand	40
DWO 2360725	Axial Geared-Down 2:1 WELDON 25	14	DWO 3462510	Axial Static Tool 25mm Cool Thru	30
DWO 2360825	Axial Geared-Down 2:1 WELDON 25 Cool Thru	14	DWO 3470232	Radial Reinforced ER32 Cool Thru*	1
DWO 2470132	Axial Reinforced ER32	4	DWO 3470240	Radial Reinforced ER40 Cool Thru*	1
DWO 2470232	Axial Reinforced ER32 Cool Thru*	4	DWO 3480240	Radial MTSK-40 Reinforced Cool Thru*	1
DWO 2470725	Axial Reinforced Weldon 25	4	DWO 3480250	Radial MTSK-50 Reinforced Cool Thru*	1
DWO 2470825	Axial Reinforced Weldon 25 Cool Thru*	4	DWO 3505010	Radial Single Rear-Set Capto C5 Right Hand	39
DWO 2480132	Axial Reinforced ER32	6	DWO 3505010LC	Radial Single Rear-Set Capto C5 Left Hand	39
DWO 2480232	Axial Reinforced ER32 Cool Thru*	6	DWO 3515010	Axial Single Static Tool Capto C5 Right Hand	42
DWO 2480725	Axial Reinforced Weldon 25	6	DWO 3515010LC	Axial Single Static Tool Capto C5 Left Hand	42
DWO 2480825	Axial Reinforced Weldon 25 Cool Thru*	6	DWO 3652500	Radial Rear-Set Single Static Tool Ø25mm	27
DWO 2490132	Axial Reinforced ER32	12	DWO 3770240	Axial Opposite Face Twin Capto C4+C4	37
DWO 2490232	Axial Reinforced ER32 Cool Thru*	12	DWO 3780125	Axial Geared-Up 1:2 ERA25	14
DWO 2490725	Axial Reinforced Weldon 25	12	DWO 3780225	Axial Geared-Up 1:2 ERA25 Cool Thru*	14
DWO 2490825	Axial Reinforced Weldon 25 Cool Thru*	12	DWO 3853810	Axial Rear Set BBH 1-1/2"	33
DWO 2500132	Axial Reinforced ER32	8	DWO 3854000	Axial Rear Set BBH Ø40mm	33
DWO 2500232	Axial Reinforced ER32 Cool Thru*	8	DWO 3891905	Radial Multiple Static Tool 3/4"	29
DWO 2500725	Axial Reinforced Weldon 25	8	DWO 3892000	Radial Multiple Static Tool Ø20mm	29
DWO 2500825	Axial Reinforced Weldon 25 Cool Thru*	8	DWO 3954020	Radial Multiple Static Tool Capto C4 Right Hand	40
			DWO 3954020LC	Radial Multiple Static Tool Capto C4 Left Hand	40

Table of Contents

Part Number Index

KIT 1000001	Plug for 32mm or 1 1/4" BBH to Make Cool Thru	33	MTSK50D13	MTSK-50 Adaptor Weldon 3/8"	46
KIT 1000003	Plug for 40mm BBH to Make Cool Thru	33	MTSK50D14	MTSK-50 Adaptor Weldon 1/2"	46
KIT 1000003	Plug for 40mm BBH to Make Cool Thru	31	MTSK50D15	MTSK-50 Adaptor Weldon 5/8"	46
KIT 1000004	Plug for 1-1/2" BBH to Make Cool Thru	33	MTSK50E01	MTSK-50 Adaptor POWERGRIP PG25	46
KIT 1000006	Plug for 25mm BBH to Make Cool Thru	31	MTSK50T00	MTSK-50 Cover Plug	46
KIT 1003002	Plug & Seal Kit for 50mm or 2" BBH to Make IC	30			
KIT 1003002	Plug & Seal Kit for 50mm BBH to Make Cool Thru	31			
KIT 1003003	Plug & Seal Kit for 40mm BBH to Make Cool Thru	31			
KIT 1003003	Plug & Seal Kit for 40mm BBH to Make IC	30			
KIT 1003004	Plug & Seal Kit for 1 1/2" BBH to Make IC	30			
KIT 1003006	Plug & Seal Kit for 25mm BBH to Make IC	30			
KIT 1003025	Plug & Seal Kit for 60mm BBH to Make Cool Thru	32			
KIT 1009025	Plug & Seal Kit for 60mm BBH to Make Cool Thru	32			

M

MTSK40A02	MTSK-40 Adaptor ER32	43
MTSK40A03	MTSK-40 Adaptor ER25	43
MTSK40A05	MTSK-40 Adaptor ER16	43
MTSK40A06	MTSK-40 Adaptor ER16	43
MTSK40A07	MTSK-40 Adaptor ER16	43
MTSK40A08	MTSK-40 Adaptor ER11	43
MTSK40A09	MTSK-40 Adaptor ER11	43
MTSK40B02	MTSK-40 Adaptor ERA25	43
MTSK40B03	MTSK-40 Adaptor ERA20	43
MTSK40C02	MTSK-40 Adaptor Mill 16x17	44
MTSK40C03	MTSK-40 Adaptor Mill 3/4"	44
MTSK40C04	MTSK-40 Adaptor Mill 22x19	44
MTSK40C05	MTSK-40 Adaptor Mill 27x21	44
MTSK40D01	MTSK-40 Adaptor Weldon 6	44
MTSK40D02	MTSK-40 Adaptor Weldon 8	44
MTSK40D03	MTSK-40 Adaptor Weldon 10	44
MTSK40D04	MTSK-40 Adaptor Weldon 12	44
MTSK40D06	MTSK-40 Adaptor Weldon 16	44
MTSK40D07	MTSK-40 Adaptor Weldon 20	44
MTSK40D11	MTSK-40 Adaptor Weldon 1/4"	44
MTSK40D12	MTSK-40 Adaptor Weldon 5/16"	44
MTSK40D13	MTSK-40 Adaptor Weldon 3/8"	44
MTSK40D14	MTSK-40 Adaptor Weldon 1/2"	44
MTSK40D21	MTSK-40 Adaptor Weldon 6	44
MTSK40D24	MTSK-40 Adaptor Weldon 10	44
MTSK40D25	MTSK-40 Adaptor Weldon 12	44
MTSK40F01	MTSK-40 Adaptor Mil 1/2"	44
MTSK40G03	MTSK-40 Adaptor MR25	44
MTSK40H01	MTSK-40 Adaptor Morse 1	44
MTSK40H02	MTSK-40 Adaptor Morse 2	44
MTSK40T00	MTSK-40 Cover Plug	44
MTSK50A01	MTSK-50 Adaptors ER40	45
MTSK50A02	MTSK-50 Adaptors ER32	45
MTSK50A03	MTSK-50 Adaptors ER25	45
MTSK50A05	MTSK-50 Adaptors ER16	45
MTSK50B01	MTSK-50 Adaptors ERA32	45
MTSK50B02	MTSK-50 Adaptors ERA25	45
MTSK50B03	MTSK-50 Adaptors ERA20	45
MTSK50C02	MTSK-50 Adaptors Mill	46
MTSK50C03	MTSK-50 Adaptors Mill	46
MTSK50C04	MTSK-50 Adaptors Mill	46
MTSK50C05	MTSK-50 Adaptors Mill	46
MTSK50C06	MTSK-50 Adaptors Mill	46
MTSK50C07	MTSK-50 Adaptors Mill	46
MTSK50D01	MTSK-50 Adaptor Weldon 6	46
MTSK50D02	MTSK-50 Adaptor Weldon 8	46
MTSK50D03	MTSK-50 Adaptor Weldon 10	46
MTSK50D04	MTSK-50 Adaptor Weldon 12	46
MTSK50D05	MTSK-50 Adaptor Weldon 16	46
MTSK50D07	MTSK-50 Adaptor Weldon 20	46
MTSK50D08	MTSK-50 Adaptor Weldon 25	46
MTSK50D11	MTSK-50 Adaptor Weldon 1/4"	46
MTSK50D12	MTSK-50 Adaptor Weldon 5/16"	46