

DRIVEN and STATIC TOOLING
For
HYUNDAI- WIA



10139 BERGIN RD.

HOWELL, MI 48843

PHONE : 877-91-TOOLS (810-632-4446)

FAX: 877-92-TOOLS (810-632-4467)

EMAIL: info@mdtooling.com

WEBSITE: www.mdtooling.com

Live Tooling



M. T. Marchetti, a major live tool manufacturer in northern Italy, is a leader in live tool technology. The formula is simple. Use only the best angular contact high-speed bearings available. Add to this an exacting tolerances for all ground shafts, gears and bearing pocket features. Next, develop a sealed system that **will not** allow any contamination from chips or coolant.

Top this all off with a superior design and you end up with a live tool that is more rigid, faster and will last longer. **We back this up with a 2-Year factory warranty.**

Our Live Tool Warranty

Our tooling will give years of service in the most demanding applications. The superior design and rugged construction has proven this over the last 12 years. The reliability of our tools allows us to provide a 2-year factory warranty, for non-wear components.

MD Tooling will repair any defective tool holders for a period of 2 years from the date of purchase.

Product Range

We have the largest range of live tooling available for most major machine tool manufactures.

Our available products include an extensive line of standard live tooling as well as specialty tool holders such as 0-180 adjustable angle tool holders, gear hobbors, and even worm gear generators. Our product range includes geared up holders to 60,000 RPM and are engineered for 1,000 PSI coolant through.

We are an industry leader in providing complete tooling solutions with hundreds of static tool options as well.

Technical Support

Here at MD Tooling we have a full technical support department with over 35 years of CNC experience.

Our highly qualified staff can help with part processing, tooling up a job from a blue print and even assist with part programming. Applications Engineers are always available by phone to answer any questions you may have about our tooling or any other CNC related issue.

Stock and Replenishment

MD Tooling maintains an extensive inventory of tooling in our warehouse in Michigan. Our current "fill" rate on orders is 93% from our stock in Michigan for same day shipping.

Should you require a non-stock item, our manufacturer, M.T. Marchetti also maintains a large inventory in Italy. Tooling can be obtained in as little as 3-5 business days.

Shipping

MD Tooling realizes that when you need tooling, often you can't wait until the next day. We process orders and ship from available stock right up until 4PM EST to make certain we get your tooling solutions to you as quickly as possible.

We regularly ship throughout the day via UPS, FedEx or any other carrier that a customer requests.



10139 Bergin Road
Howell, MI 48843
Phone: (810) 632-4446
Fax: (810) 632-4467
Email: info@mdtooling.com
Web: www.mdtooling.com

- Fast, Friendly, Reliable Service!
- Quality tooling at highly competitive pricing.
- 2-Year Warranty on all live tools.
- Extensive inventory. We currently ship over 93% of all orders same day.
- In-house repair services available.
- If a warranty tool needs to be returned for inspection, service or repair, loaner tools are available to keep your machine tool production up and running.
- More specialty tool holders than any other manufacturer.
- Custom tool holders available.
- All available tooling may not be shown in this catalog. If you can't find the holder you're looking for, please contact our office for assistance.



Table of Contents

Categorized Listing

SE2200 M/LM/LMS/MA/LMA/LMSA/LMC/LMSC/ Y/LY/LSY/YA/LYA/LSYA (BMT45) 1

DRIVEN	1
RADIAL DRIVEN TOOL	1
QUICK CHANGE RADIAL MTSK DRIVEN TOOL	1
RADIAL DRIVEN TOOL REDIRECTED IN Z BY 36mm	2
RADIAL GEARED-UP 1:2 DRIVEN TOOL REDIRECTED IN Z BY 36mm	2
RADIAL GEARED-UP 1:3 DRIVEN TOOL REDIRECTED IN Z BY 36mm	3
RADIAL SINGLE SIDE TWIN HEAD DRIVEN TOOL IN Y	3
AXIAL DRIVEN TOOL H=65mm	4
QUICK CHANGE AXIAL MTSK DRIVEN TOOL H=65mm	4
AXIAL REAR-SET DRIVEN TOOL H=85mm	5
QUICK CHANGE AXIAL MTSK REAR-SET DRIVEN TOOL H=85mm	5
AXIAL GEARED-UP 1:2 DRIVEN TOOL H=65mm	6
AXIAL GEARED-UP 1:3 REAR-SET DRIVEN TOOL H=65mm	6
AXIAL GEARED-UP 1:3 REAR-SET DRIVEN TOOL H=85mm	7
AXIAL OPPOSITE FACE REAR-SET DRIVEN TOOL	7
AXIAL SINGLE SIDE TWIN HEAD DRIVEN TOOL IN Y	8
0-180° ADJUSTABLE ANGLE DRIVEN TOOL	8
DRIVEN GEAR HOBBER	9
BROACHING/SLOTING DRIVEN TOOL 25mm STROKE H=75mm	9

STATIC	10
RADIAL SINGLE STATIC TOOL	10
RADIAL SINGLE SIDE TWIN STATIC TOOL	10
RADIAL DOUBLE STATIC TOOL H=60mm	11
RADIAL DOUBLE SIDE TWIN STATIC TOOL	11
RADIAL BLADE HOLDER WITH BLADE KIT	12
RADIAL BLADE HOLDER WITH INTERNAL COOLANT - BLADE KIT NOT INCLUDED	12
AXIAL SINGLE BORING BAR HOLDER H=65mm	13
AXIAL SINGLE BORING BAR HOLDER H=65mm	13
AXIAL SINGLE BORING BAR HOLDER H=85mm	13
AXIAL 2 POSITION REAR-SET BORING BAR HOLDER	14
TAILSTOCK FOR SUBSPINDLE	14
AXIAL SINGLE STATIC TOOL CAPTO C4	15

SKT160TTMS/TTSY - LM1600TTMS/TTSY SKT180TTMS/TTSY - LM1800TTMS/TTSY - L160/230LMSA - HD2200-2600M/Y/SY (BMT55) 16

DRIVEN	16
RADIAL DRIVEN TOOL	16
QUICK CHANGE RADIAL MTSK-40 DRIVEN TOOL	16
RADIAL DRIVEN TOOL RE-DIRECTED IN Z BY 36mm	17
RADIAL GEARED-DOWN 2:1 DRIVEN TOOL RE-DIRECTED IN Z BY 36mm	17
RADIAL GEARED-UP 1:2 DRIVEN TOOL RE-DIRECTED IN Z BY 36mm	18
RADIAL GEARED-UP DRIVEN TOOL I=1:5.625	18
RADIAL SINGLE-SIDE TWIN HEAD DRIVEN TOOL IN Y-AXIS	19
RADIAL ±30° ADJUSTABLE ANGLE DRIVEN TOOL REDIRECTED BY 30mm	19
AXIAL DRIVEN TOOL H=85mm	20
QUICK CHANGE AXIAL MTSK-40 DRIVEN TOOL H=85mm	21
AXIAL GEARED-UP 1:2 DRIVEN TOOL H=85mm	21
AXIAL GEARED-UP 1:5.625 DRIVEN TOOL	22
AXIAL DRIVEN TOOL FOR INTERNAL POLYGON MAKING	22
AXIAL OPPOSITE FACE DRIVEN TOOL	23
AXIAL OPPOSITE FACE DRIVEN TOOL H=85mm	23
AXIAL GEARED-UP 1:2 OPPOSITE FACE TWIN DRIVEN TOOL H=85mm	23
AXIAL SINGLE SIDE TWIN HEAD DRIVEN TOOL	24
AXIAL GEARED-UP 1:2 SINGLE SIDE TWIN HEAD DRIVEN TOOL IN Y	24
AXIAL MULTIPLE 2+2 OUTLET DRIVEN TOOL IN Y	25
0-180 ADJUSTABLE ANGLE DRIVEN TOOL H=88.5mm	25

0-180 ADJUSTABLE ANGLE DRIVEN TOOL H=83mm	26
0-180 ADJUSTABLE ANGLE DRIVEN TOOL WITH DIGITAL DISPLAY H=83mm	26
0-180 ADJUSTABLE ANGLE DRIVEN TOOL GEARED-UP 1:2 H=83mm	27
0-180 ADJUSTABLE ANGLE DRIVEN TOOL GEARED-UP 1:2 WITH DIGITAL DISPLAY H=83mm	27
DRIVEN GEAR HOBBER	28
GEAR HOBBER - RADIAL DRIVEN	28
QUICK CHANGE AXIAL MTSK-40 DRIVEN TOOL FOR POWER SKIVING H=90mm	29
WORM GEAR DRIVEN TOOL	29
BROACHING/SLOTING TOOL 50mm STROKE	30
BROACHING/SLOTING TOOL 25mm STROKE	30

STATIC	31
RADIAL SINGLE STATIC TOOL H=60mm	31
RADIAL SINGLE STATIC TOOL H=100mm	31
RADIAL SINGLE SIDE TWIN STATIC TOOL	32
RADIAL DOUBLE SIDE TWIN STATIC TOOL	32
RADIAL DOUBLE BLADE HOLDER WITH BLADE KIT	33
RADIAL BLADE HOLDER WITH INTERNAL COOLANT-BLADE KIT NOT INCLUDED	33
AXIAL STATIC TOOL	34
AXIAL SINGLE BORING BAR HOLDER H=100mm	34
AXIAL REAR-SET BORING BAR HOLDER H=100mm	35
TAILSTOCK FOR SUBSPINDLE	35
SINGLE REAR-SET RADIAL STATIC TOOL CAPTO C4	36

SKT200TTM/TTMS/TTSY LM2000TTM/TTMS/TTSY - L2000/2100/2600/3000Y/SY - L300M/LM/MS/LMS - SKT250TTM/TTMS/TTSY - LM2500TTM/TTMS/TTSY - SKT250M/LM/MS - SKT300M/LM/MS - SKT-V3RM/LM - KM2600MTTS - LV450RM/LM - HD2600/3100 (BMT65) 37

DRIVEN	37
RADIAL REINFORCED DRIVEN TOOL	37
QUICK CHANGE RADIAL MTSK REINFORCED DRIVEN TOOL	37
RADIAL GEARED-DOWN 2:1 DRIVEN TOOL REDIRECTED IN Z BY 80mm	38
RADIAL GEARED-UP 1:2 DRIVEN TOOL REDIRECTED IN Z BY 36mm	38

SKT200TTM/TTMS/TTSY LM2000TTM/TTMS/TTSY - L2000/2100/2600/3000Y/SY - L300M/LM/MS/LMS - SKT250TTM/TTMS/TTSY - LM2500TTM/TTMS/TTSY - SKT250M/LM/MS - SKT300M/LM/MS - SKT-V3RM/LM - KM2600MTTS - LV450RM/LM - HD2600/3100 (BMT65) 39

DRIVEN	39
RADIAL SINGLE-SIDE TWIN HEAD DRIVEN TOOL IN Y-AXIS	39
RADIAL INVERTED DRIVEN TOOL RE-DIRECTED IN Z BY 250mm	39
AXIAL DRIVEN TOOL H=72mm	40
AXIAL REINFORCED DRIVEN TOOL H=72mm	41

DRIVEN	42
QUICK CHANGE AXIAL MTSK DRIVEN TOOL H=72mm	42

Table of Contents

Categorized Listing

SKT200TTM/TTMS/TTSY	
LM2000TTM/TTMS/TTSY -	
L2000/2100/2600/3000Y/SY -	
L300M/LM/MS/LMS -	
SKT250TTM/TTMS/TTSY -	
LM2500TTM/TTMS/TTSY -	
SKT250M/LM/MS - SKT300M/LM/MS -	
SKT-V3RM/LM - KM2600MTTS -	
LV450RM/LM - HD2600/3100 (BMT65)	43

QUICK CHANGE AXIAL MTSK REINFORCED DRIVEN TOOL H=72mm	43
AXIAL DRIVEN TOOL H=85mm	44
AXIAL REINFORCED DRIVEN TOOL H=85mm	45

SKT200TTM/TTMS/TTSY	
LM2000TTM/TTMS/TTSY -	
L2000/2100/2600/3000Y/SY -	
L300M/LM/MS/LMS -	
SKT250TTM/TTMS/TTSY -	
LM2500TTM/TTMS/TTSY -	
SKT250M/LM/MS - SKT300M/LM/MS -	
SKT-V3RM/LM - KM2600MTTS -	
LV450RM/LM - HD2600/3100 (BMT65)	46

DRIVEN	46
QUICK CHANGE AXIAL MTSK DRIVEN TOOL H=85mm	46
QUICK CHANGE AXIAL MTSK REINFORCED DRIVEN TOOL H=85mm	47
AXIAL DRIVEN TOOL H=95mm	48

SKT200TTM/TTMS/TTSY	
LM2000TTM/TTMS/TTSY -	
L2000/2100/2600/3000Y/SY -	
L300M/LM/MS/LMS -	
SKT250TTM/TTMS/TTSY -	
LM2500TTM/TTMS/TTSY -	
SKT250M/LM/MS - SKT300M/LM/MS -	
SKT-V3RM/LM - KM2600MTTS -	
LV450RM/LM - HD2600/3100 (BMT65)	49

DRIVEN	49
AXIAL REINFORCED DRIVEN TOOL H=95mm	49
AXIAL REAR-SET DRIVEN TOOL H=95mm	50
QUICK CHANGE AXIAL MTSK DRIVEN TOOL H=95mm	51
QUICK CHANGE AXIAL MTSK REINFORCED DRIVEN TOOL H=95mm	52

SKT200TTM/TTMS/TTSY	
LM2000TTM/TTMS/TTSY -	
L2000/2100/2600/3000Y/SY -	
L300M/LM/MS/LMS -	
SKT250TTM/TTMS/TTSY -	
LM2500TTM/TTMS/TTSY -	
SKT250M/LM/MS - SKT300M/LM/MS -	
SKT-V3RM/LM - KM2600MTTS -	
LV450RM/LM - HD2600/3100 (BMT65)	53

DRIVEN	53
AXIAL DRIVEN TOOL H=100mm	53
AXIAL REINFORCED DRIVEN TOOL H=100mm	54
QUICK CHANGE AXIAL MTSK DRIVEN TOOL H=100mm	55
QUICK CHANGE AXIAL MTSK REINFORCED DRIVEN TOOL H=100mm	56

SKT200TTM/TTMS/TTSY	
LM2000TTM/TTMS/TTSY -	
L2000/2100/2600/3000Y/SY -	
L300M/LM/MS/LMS -	
SKT250TTM/TTMS/TTSY -	
LM2500TTM/TTMS/TTSY -	
SKT250M/LM/MS - SKT300M/LM/MS -	
SKT-V3RM/LM - KM2600MTTS -	
LV450RM/LM - HD2600/3100 (BMT65)	57

DRIVEN	57
AXIAL GEARED-DOWN 2:1 DRIVEN TOOL H=100mm	57
AXIAL GEARED-UP 1:2 DRIVEN TOOL H=72mm	58
AXIAL GEARED-UP 1:2 DRIVEN TOOL H=100mm	58
AXIAL OPPOSITE FACE DRIVEN TOOL H=72mm	59
AXIAL OPPOSITE FACE DRIVEN TOOL H=85mm	59

SKT200TTM/TTMS/TTSY	
LM2000TTM/TTMS/TTSY -	
L2000/2100/2600/3000Y/SY -	
L300M/LM/MS/LMS -	
SKT250TTM/TTMS/TTSY -	
LM2500TTM/TTMS/TTSY -	
SKT250M/LM/MS - SKT300M/LM/MS -	
SKT-V3RM/LM - KM2600MTTS -	
LV450RM/LM - HD2600/3100 (BMT65)	60

DRIVEN	60
AXIAL OPPOSITE FACE DRIVEN TOOL H=95mm	60
AXIAL OPPOSITE FACE DRIVEN TOOL H=100mm	60
AXIAL OPPOSITE FACE DRIVEN TOOL H=100mm	61
AXIAL SINGLE SIDE TWIN HEAD DRIVEN TOOL IN Y H=85mm	62
AXIAL SINGLE SIDE TWIN HEAD DRIVEN TOOL IN Y H=100mm	63

SKT200TTM/TTMS/TTSY	
LM2000TTM/TTMS/TTSY -	
L2000/2100/2600/3000Y/SY -	
L300M/LM/MS/LMS -	
SKT250TTM/TTMS/TTSY -	
LM2500TTM/TTMS/TTSY -	
SKT250M/LM/MS - SKT300M/LM/MS -	
SKT-V3RM/LM - KM2600MTTS -	
LV450RM/LM - HD2600/3100 (BMT65)	64

DRIVEN	64
0-180 ADJUSTABLE ANGLE DRIVEN TOOL H=54mm	64
0-180 ADJUSTABLE ANGLE DRIVEN TOOL WITH DIGITAL DISPLAY H=54mm	64
0-180 ADJUSTABLE ANGLE DRIVEN TOOL H=100mm	65
0-180 ADJUSTABLE ANGLE DRIVEN TOOL WITH DIGITAL DISPLAY H=100mm	65
0-180 ADJUSTABLE ANGLE DRIVEN TOOL H=72mm	66
0-180 ADJUSTABLE ANGLE DRIVEN TOOL WITH DIGITAL DISPLAY H=72mm	66
0-180 ADJUSTABLE ANGLE DRIVEN TOOL GEARED-UP 1:2 H=72mm	67
0-180 ADJUSTABLE ANGLE DRIVEN TOOL GEARED-UP 1:2 WITH DIGITAL DISPLAY H=72mm	67
DRIVEN GEAR HOBBER	68
QUICK CHANGE AXIAL MTSK-40 DRIVEN TOOL FOR POWER SKIVING H=100mm	68
DRIVEN TOOL FOR WORM SCREWS	69
BROACHING/SLOTING TOOL 50mm STROKE H=100mm	70
BROACHING/SLOTING TOOL 50mm STROKE H=85mm	70

Table of Contents

Categorized Listing

BROACHING/SLOTTING TOOL 25mm STROKE H=100mm	71	QUICK CHANGE AXIAL MTSK-50 REINFORCED DRIVEN TOOL H=60mm	97
BROACHING/SLOTTING TOOL 25mm STROKE H=85mm	71	DRIVEN	98
STATIC	72	AXIAL REINFORCED DRIVEN TOOL H=90mm	98
RADIAL SINGLE STATIC TOOL H=75mm	72	SKT400M/LMC - L400/500 MA/MC/LMC	
RADIAL SINGLE STATIC TOOL H=90mm	72	SKT-V80RM/LM - LV500RM/LM -	
RADIAL REAR-SET SINGLE STATIC TOOL	73	LV800RM/LM - LV8500RM/LM (BMT75)	99
RADIAL DOUBLE STATIC TOOL H=90mm	73	QUICK CHANGE AXIAL MTSK-50 REINFORCED DRIVEN TOOL H=90mm	99
RADIAL DOUBLE STATIC TOOL H=75mm	74	AXIAL REINFORCED DRIVEN TOOL H=110mm	100
RADIAL DOUBLE SIDE TWIN STATIC TOOL	74	QUICK CHANGE AXIAL MTSK-50 REINFORCED DRIVEN TOOL	
RADIAL MULTIPLE STATIC TOOL	75	H=110mm	101
RADIAL BLADE HOLDER WITH BLADE KIT	75	AXIAL GEARED-DOWN 2:1 DRIVEN TOOL H=60mm	101
RADIAL BLADE HOLDER WITH INTERNAL COOLANT-BLADE KIT NOT INCLUDED	76	AXIAL GEARED-DOWN 2:1 DRIVEN TOOL H=90mm	102
AXIAL STATIC TOOL	77	AXIAL GEARED-UP 1:3 DRIVEN TOOL H=60mm	102
AXIAL SINGLE BORING BAR HOLDER	77	0-180 ADJUSTABLE ANGLE DRIVEN TOOL	103
AXIAL SINGLE BORING BAR HOLDER H=72mm	78	REINFORCED DRIVEN GEAR HOBBER	103
AXIAL SINGLE BORING BAR HOLDER 40mm H=100mm	78	DRIVEN GEAR HOBBER - LARGE SIZE	104
AXIAL SINGLE BORING BAR HOLDER 50mm H=100mm	79	BROACHING/SLOTTING TOOL 50mm STROKE H=90mm	105
AXIAL SINGLE BORING BAR HOLDER 60mm H=100mm	79	BROACHING/SLOTTING TOOL 25mm STROKE H=90mm	105
AXIAL SINGLE BORING BAR HOLDER 60mm H=100mm	80	STATIC	106
AXIAL REAR SET BORING BAR HOLDER H=85mm	80	RADIAL STATIC TOOL	106
DOUBLE AXIAL 2+2 BORING BAR HOLDER	81	RADIAL SINGLE STATIC TOOL	106
TAILSTOCK FOR SUBSPINDLE	81	SKT400M/LMC - L400/500 MA/MC/LMC	
DRIVEN	82	SKT-V80RM/LM - LV500RM/LM -	
RADIAL DRIVEN TOOL CAPTO C4	82	LV800RM/LM - LV8500RM/LM (BMT75)	107
AXIAL DRIVEN TOOL CAPTO C4 H=72mm	82	AXIAL STATIC TOOL	107
AXIAL DRIVEN TOOL CAPTO C4 H=85mm	83	AXIAL SINGLE BORING BAR HOLDER 50mm H=110mm	107
AXIAL DRIVEN TOOL CAPTO C4 H=95mm	83	SKT400M/LMC - L400/500 MA/MC/LMC	
AXIAL DRIVEN TOOL CAPTO C4 H=100mm	84	SKT-V80RM/LM - LV500RM/LM -	
AXIAL OPPOSITE FACE TWIN DRIVEN TOOL CAPTO C4 H=85mm	84	LV800RM/LM - LV8500RM/LM (BMT75)	108
AXIAL OPPOSITE FACE TWIN DRIVEN TOOL CAPTO C4 H=100mm	85	DRIVEN	108
STATIC	86	RADIAL DRIVEN TOOL CAPTO C5	108
RADIAL SINGLE REAR-SET STATIC TOOL CAPTO C4	86	AXIAL DRIVEN TOOL COROMANT CAPTO H=60mm	108
RADIAL SINGLE REAR-SET STATIC TOOL CAPTO C5	86	SKT400M/LMC - L400/500 MA/MC/LMC	
RADIAL SINGLE REAR-SET STATIC TOOL CAPTO C6	86	SKT-V80RM/LM - LV500RM/LM -	
RADIAL DOUBLE STATIC TOOL CAPTO C4	87	LV800RM/LM - LV8500RM/LM (BMT75)	109
AXIAL SINGLE STATIC TOOL CAPTO C4	88	DRIVEN	109
AXIAL SINGLE STATIC TOOL CAPTO C4	88	AXIAL DRIVEN TOOL COROMANT CAPTO H=110mm	109
AXIAL SINGLE STATIC TOOL CAPTO C5	89	SKT400M/LMC - L400/500 MA/MC/LMC	
AXIAL SINGLE STATIC TOOL CAPTO C6	89	SKT-V80RM/LM - LV500RM/LM -	
AXIAL OPPOSITE FACE REAR-SET TWIN STATIC TOOL CAPTO C4	90	LV800RM/LM - LV8500RM/LM (BMT75)	110
SKT400M/LMC - L400/500 MA/MC/LMC		STATIC	110
SKT-V80RM/LM - LV500RM/LM -		AXIAL SINGLE STATIC TOOL CAPTO C6	110
LV800RM/LM - LV8500RM/LM (BMT75)	91	SKT600LM - L600LMA - SKT700LM	
DRIVEN	91	SKT-V110RM - L700LMA - L800LMA -	
RADIAL DRIVEN TOOL	91	LV1100RM - KL7000/8000LY (BMT85)	111
QUICK CHANGE RADIAL MTSK-50 DRIVEN TOOL	91	DRIVEN	111
RADIAL DRIVEN TOOL RE-DIRECTED IN Z BY 100mm	92	RADIAL DRIVEN TOOL	111
RADIAL GEARED-DOWN 2:1 DRIVEN TOOL RE-DIRECTED IN Z BY 100mm	92	QUICK CHANGE RADIAL MTSK-63 DRIVEN TOOL	111
RADIAL RE-DIRECTED DRIVEN TOOL IN Z BY 47.5mm	93	SKT600LM - L600LMA - SKT700LM	
RADIAL GEARED-UP 1:2 RE-DIRECTED DRIVEN TOOL IN Z BY 47.5mm	93	SKT-V110RM - L700LMA - L800LMA -	
RADIAL GEARED-UP 1:4 DRIVEN TOOL	94	LV1100RM - KL7000/8000LY (BMT85)	112
RADIAL INVERTED DRIVEN TOOL RE-DIRECTED IN Z BY 187.5mm	94	DRIVEN	112
RADIAL ±25° ADJUSTABLE ANGLE DRIVEN TOOL REDIRECTED BY 50mm	95	RADIAL DRIVEN TOOL RE-DIRECTED IN Z BY 110mm	112
AXIAL DRIVEN TOOL H=60mm	96	RADIAL GEARED-DOWN 2:1 DRIVEN TOOL RE-DIRECTED IN Z BY 110mm	112
AXIAL REINFORCED DRIVEN TOOL H=60mm	96	RADIAL GEARED-UP 1:3 DRIVEN TOOL RE-DIRECTED IN Z BY 70mm	113
SKT400M/LMC - L400/500 MA/MC/LMC		RADIAL SINGLE SIDE TWIN HEAD DRIVEN TOOL IN Y	113
SKT-V80RM/LM - LV500RM/LM -			
LV800RM/LM - LV8500RM/LM (BMT75)	97		
DRIVEN	97		

Table of Contents

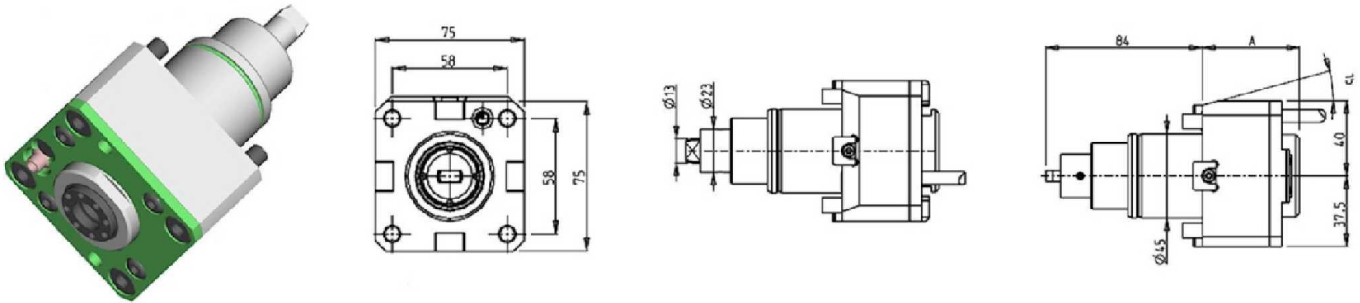
Categorized Listing

AXIAL DRIVEN TOOL H=85mm	114
QUICK CHANGE AXIAL MTSK DRIVEN TOOL H=85mm	115
AXIAL DRIVEN TOOL H=110mm	116
QUICK CHANGE AXIAL MTSK DRIVEN TOOL H=110mm	116
AXIAL GEARED-DOWN 2:1 DRIVEN TOOL H=85mm	117
QUICK CHANGE AXIAL MTSK GEARED-DOWN 2:1 DRIVEN TOOL H=85mm	117
AXIAL GEARED-DOWN 2:1 DRIVEN TOOL H=110mm	118
QUICK CHANGE AXIAL MTSK GEARED-DOWN 2:1 DRIVEN TOOL H=110mm	118
AXIAL GEARED-UP 1:2 DRIVEN TOOL H=110mm	119
AXIAL GEARED-UP 1:3 DRIVEN TOOL	119
0-180 ADJUSTABLE ANGLE DRIVEN TOOL	120
GEAR HOBBER - REINFORCED	120
GEAR HOBBER - LARGE SIZE	121
STATIC	122
RADIAL STATIC TOOL	122
AXIAL STATIC TOOL	123
AXIAL SINGLE STATIC TOOL	123
AXIAL SINGLE BORING BAR HOLDER H=85mm	124
AXIAL SINGLE BORING BAR HOLDER H=110mm	124
AXIAL SINGLE STATIC TOOL CAPTO C6	125
SKT15LM/LMS - L150LSA - SKT21LM/LMS L210LSA	126
DRIVEN	126
AXIAL DRIVEN TOOL VDI40 DIN 5482	126
AXIAL GEARED-UP 1:2 DRIVEN TOOL REDIRECTED BY 42mm VDI40	126
AXIAL REAR-SET OPPOSITE FACE TWIN DRIVEN TOOL VDI40 DIN 5482	127
SKT15LM/LMS - L150LSA - SKT21LM/LMS L210LSA	128
DRIVEN	128
RADIAL REAR-SET DRIVEN TOOL VDI40 DIN 5482	128
0-180° ADJUSTABLE ANGLE DRIVEN TOOL VDI40 DIN 5482	129
0-180° ADJUSTABLE ANGLE DRIVEN TOOL WITH DIGITAL DISPLAY VDI40 DIN 5482	129
SKT28LM - L280LM	130
DRIVEN	130
AXIAL DRIVEN TOOL VDI40	130
E160LM - E200M - SKT100M - SKT160LM	131
DRIVEN	131
AXIAL DRIVEN TOOL VDI30	131
RADIAL REAR-SET DRIVEN TOOL VDI30 H=75mm	131
ACCESSORIES	132
DRIVEN	132
MTSK-32 ER ADAPTORS	132
MTSK-32 MILL ADAPTORS	132
MTSK-40 ER ADAPTORS	133
MTSK-40 MILL ADAPTORS	134
MTSK-50 ER ADAPTORS	135
MTSK-50 MILL ADAPTORS	136
MTSK-63 ER ADAPTORS	137
MTSK-63 MILL ADAPTORS	137
POLYGON MAKING MILL HEAD (3 INSERTS)	138
POLYGON MAKING MILL HEAD (2 INSERTS)	138

SE2200 M/LM/LMS/MA/LMA/LMSA/LMC/LMSC/Y/LY/LSY/YA/LYA/LSYA (BMT45)

DRIVEN

RADIAL DRIVEN TOOL

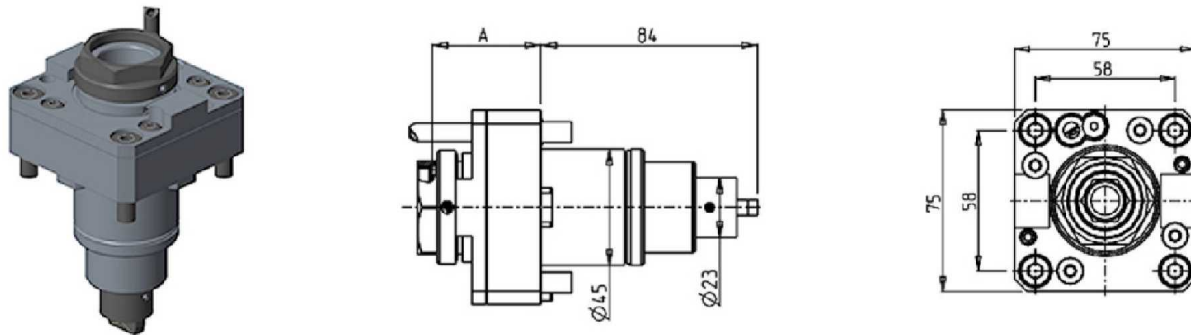


Part Number	Description	Spindle	I	RPM	Cool Thru	Ext Cool	A
DWO 2000325	Radial Driven Tool ERA25	ERA25	1:1	6000		X	52
DWO 3520425	Radial Driven Tool ERA25 Cool Thru*	ERA25	1:1	6000	X	X	56

* Coolant Thru tools are designed for 1000 psi.
They require 5 Micron Filtration and **CANNOT** be run dry.

QUICK CHANGE RADIAL MTSK DRIVEN TOOL

See Accessories for MTSK Quick Change Tool Holder Clamps



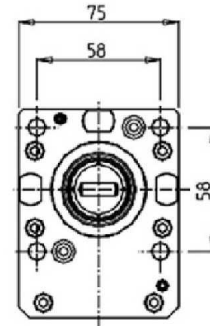
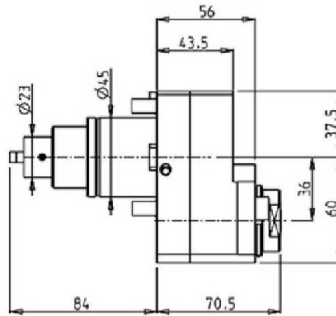
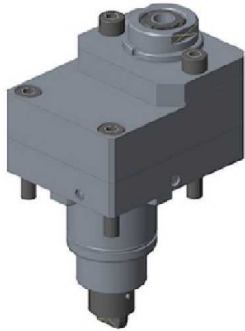
Part Number	Description	Spindle	I	RPM	Cool Thru	Ext Cool	A
DWO 3380132	Radial MTSK-32 Driven Tool	MTSK-32	1:1	6000		X	50.5
DWO 3380232	Radial MTSK-32 Driven Tool Cool Thru*	MTSK-32	1:1	6000	X	X	60

* Coolant Thru tools are designed for 1000 psi.
They require 5 Micron Filtration and **CANNOT** be run dry.

SE2200 M/LM/LMS/MA/LMA/LMSA/LMC/LMSC/Y/LY/LSY/YA/LYA/LSYA (BMT45)

DRIVEN

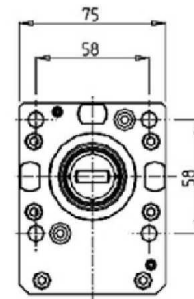
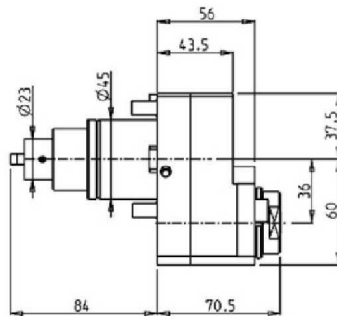
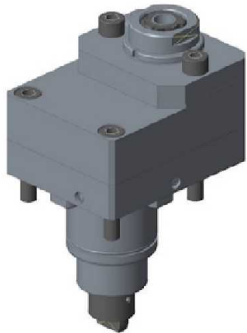
RADIAL DRIVEN TOOL REDIRECTED IN Z BY 36mm



Part Number	Description	Spindle	I	RPM	Reversible	Cool Thru	Ext Cool
DWO 1890316	Radial Driven ERA16 Redirected in Z by 36mm	ERA16	1:1	6000	X		X
DWO 1890416	Radial Driven ERA16 Redirected in Z by 36mm Cool Thru*	ERA16	1:1	6000	X	X	X

* Coolant Thru tools are designed for 1000 psi.
They require 5 Micron Filtration and **CANNOT** be run dry.

RADIAL GEARED-UP 1:2 DRIVEN TOOL REDIRECTED IN Z BY 36mm



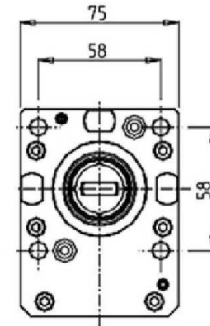
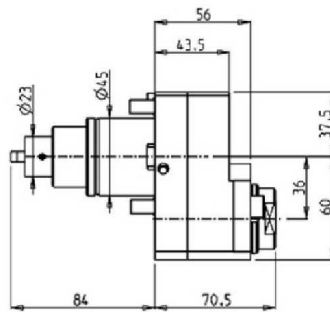
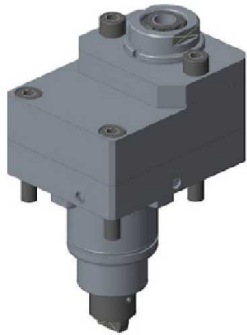
Part Number	Description	Spindle	I	RPM	Reversible	Cool Thru	Ext Cool
DWO 1891316	Radial Geared-Up 1:2 ERA16 Redirected in Z by 36mm	ERA16	1:2	12000	X		X
DWO 1891416	Radial Geared-Up 1:2 ERA16 Redirected in Z by 36mm Cool Thru*	ERA16	1:2	12000	X	X	X

* Coolant Thru tools are designed for 1000 psi.
They require 5 Micron Filtration and **CANNOT** be run dry.

SE2200 M/LM/LMS/MA/LMA/LMSA/LMC/LMSC/Y/LY/LSY/YA/LYA/LSYA (BMT45)

DRIVEN

RADIAL GEARED-UP 1:3 DRIVEN TOOL REDIRECTED IN Z BY 36mm



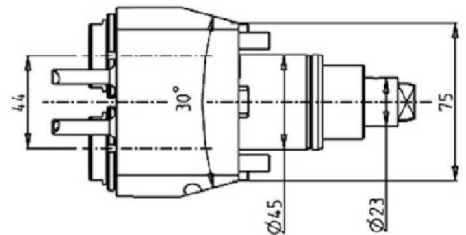
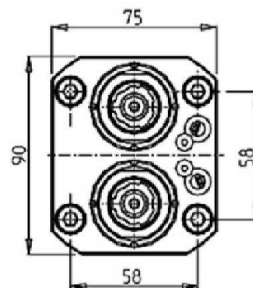
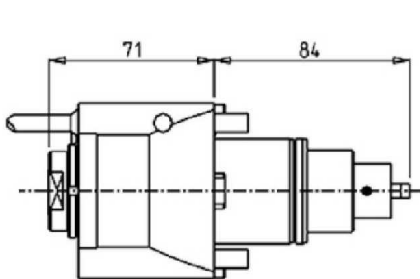
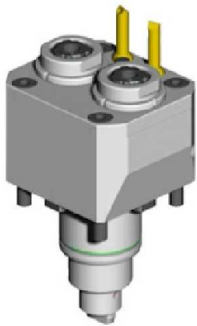
Part Number	Description	Spindle	I	RPM	Reversible	Cool Thru	Ext Cool
DWO 1892316	Radial Geared-Up 1:3 ERA16 Redirected in Z by 36mm	ERA16	1:3	18000	X		X
DWO 1892416	Radial Geared-Up 1:3 ERA16 Redirected in Z by 36mm Cool Thru*	ERA16	1:3	18000	X	X	X

* Coolant Thru tools are designed for 1000 psi. They require 5 Micron Filtration and **CANNOT** be run dry.

RADIAL SINGLE SIDE TWIN HEAD DRIVEN TOOL IN Y

These tools will only fit the following machine models:

SE2200 Y/LY/LSY/YA/LYA/LSYA

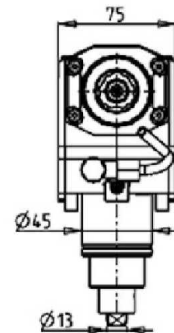
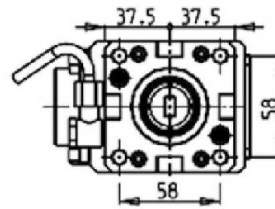
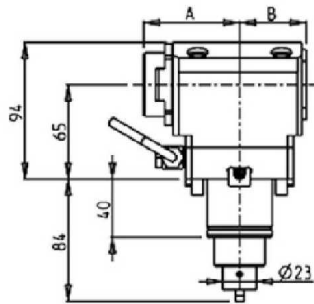
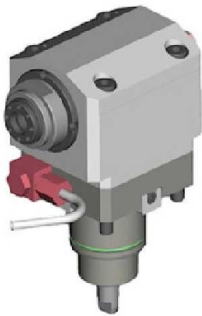


Part Number	Description	Spindle	I	RPM	Ext Cool
DWO 1460216	Radial Single Side Twin ERA16	ERA16	1:1	6000	X

SE2200 M/LM/LMS/MA/LMA/LMSA/LMC/LMSC/Y/LY/LSY/YA/LYA/LSYA (BMT45)

DRIVEN

AXIAL DRIVEN TOOL H=65mm

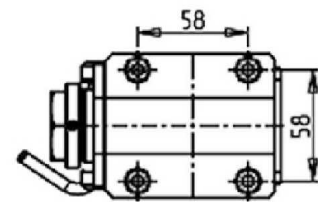
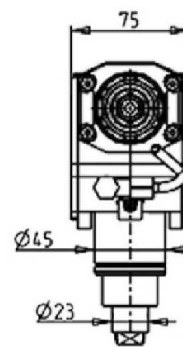
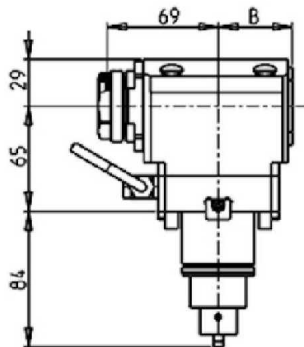


Part Number	Description	Spindle	I	RPM	Reversible	Cool Thru	Ext Cool	A	B
DWO 2290320	Axial Driven Tool ERA20	ERA20	1:1	6000	X		X	66.5	46
DWO 2290420	Axial Driven Tool ERA20 Cool Thru*	ERA20	1:1	6000	X	X	X	66.5	56
DWO 2290325	Axial Driven Tool ERA25	ERA25	1:1	6000	X		X	70	46
DWO 2290425	Axial Driven Tool ERA25 Cool Thru*	ERA25	1:1	6000	X	X	X	70	56

* Coolant Thru tools are designed for 1000 psi.
They require 5 Micron Filtration and **CANNOT** be run dry.

QUICK CHANGE AXIAL MTSK DRIVEN TOOL H=65mm

See Accessories for MTSK Quick Change Tool Holder Clamps



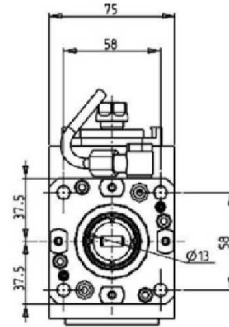
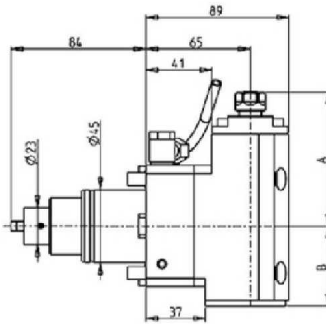
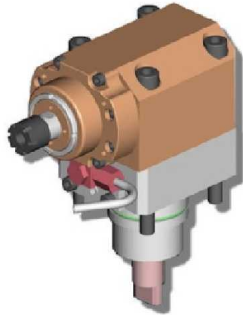
Part Number	Description	Spindle	I	RPM	Reversible	Cool Thru	Ext Cool	B
DWO 1790132	Axial MTSK-32 Driven Tool	MTSK-32	1:1	6000	X		X	46
DWO 1790232	Axial MTSK-32 Driven Tool Cool Thru*	MTSK-32	1:1	6000	X	X	X	56

* Coolant Thru tools are designed for 1000 psi.
They require 5 Micron Filtration and **CANNOT** be run dry.

SE2200 M/LM/LMS/MA/LMA/LMSA/LMC/LMSC/Y/LY/LSY/YA/LYA/LSYA (BMT45)

DRIVEN

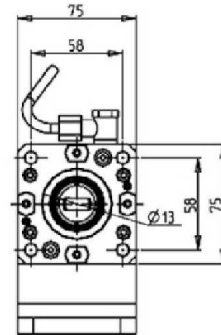
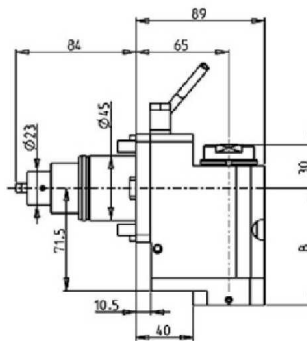
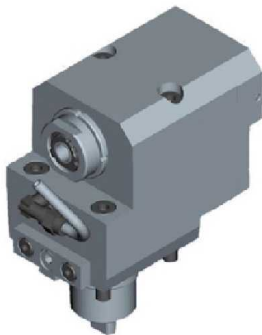
AXIAL GEARED-UP 1:2 DRIVEN TOOL H=65mm



Part Number	Description	Spindle	I	RPM	Reversible	Cool Thru	Ext Cool	A	B
DWO 2320111	Axial Geared-Up 1:2 ER11	ER11	1:2	12000	X		X	82.6	49.5
DWO 2320211	Axial Geared-Up 1:2 ER11 Cool Thru*	ER11	1:2	12000	X	X	X	82.6	59.5
DWO 2320320	Axial Geared-Up 1:2 ERA20	ERA20	1:2	12000	X		X	82.2	49.5
DWO 2320420	Axial Geared-Up 1:2 ERA20 Cool Thru*	ERA20	1:2	12000	X	X	X	82.2	59.5

* Coolant Thru tools are designed for 1000 psi.
They require 5 Micron Filtration and **CANNOT** be run dry.

AXIAL GEARED-UP 1:3 REAR-SET DRIVEN TOOL H=65mm



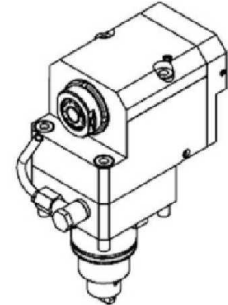
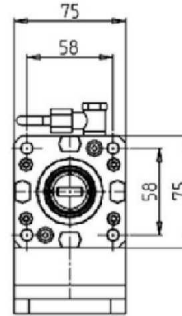
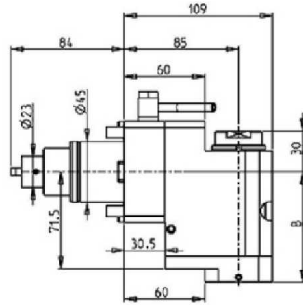
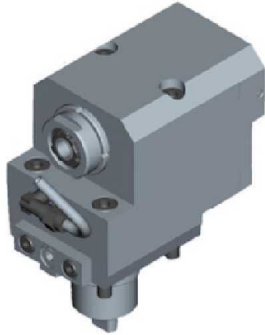
Part Number	Description	Spindle	I	RPM	Reversible	Cool Thru	Ext Cool	B
DWO 2230316	Axial Geared-Up 1:3 Rear-Set ERA16	ERA16	1:3	18000	X		X	70.5
DWO 2230416	Axial Geared-Up 1:3 Rear-Set ERA16 Cool Thru*	ERA16	1:3	18000	X	X	X	83

* Coolant Thru tools are designed for 1000 psi.
They require 5 Micron Filtration and **CANNOT** be run dry.

SE2200 M/LM/LMS/MA/LMA/LMSA/LMC/LMSC/Y/LY/LSY/YA/LYA/LSYA (BMT45)

DRIVEN

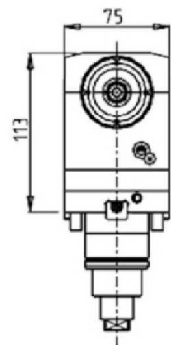
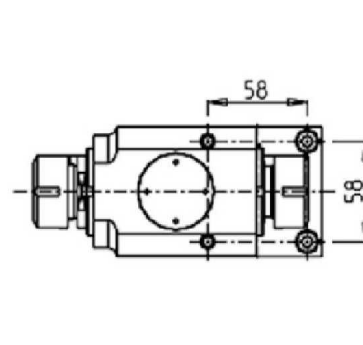
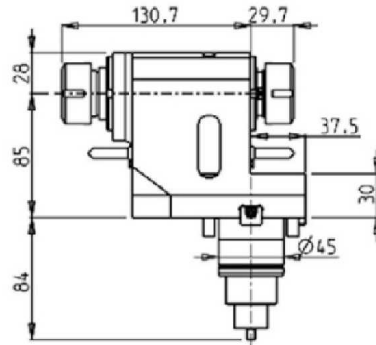
AXIAL GEARED-UP 1:3 REAR-SET DRIVEN TOOL H=85mm



Part Number	Description	Spindle	I	RPM	Reversible	Cool Thru	Ext Cool	B
DWO 1650316	Axial Geared-Up 1:3 Rear-Set ERA16	ERA16	1:3	18000	X		X	70.5
DWO 1650416	Axial Geared-Up 1:3 Rear-Set ERA16 Cool Thru*	ERA16	1:3	18000	X	X	X	83

* Coolant Thru tools are designed for 1000 psi.
They require 5 Micron Filtration and **CANNOT** be run dry.

AXIAL OPPOSITE FACE REAR-SET DRIVEN TOOL



Part Number	Description	Spindle	I	RPM	Reversible	Ext Cool
DWO 1360125	Axial Opposite Face ER25+ER25	ER25+ER25	1:1	6000	X	X

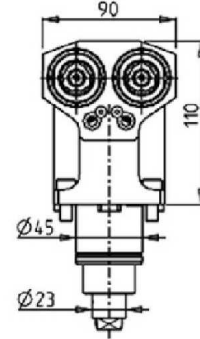
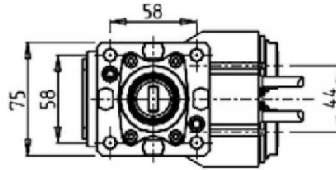
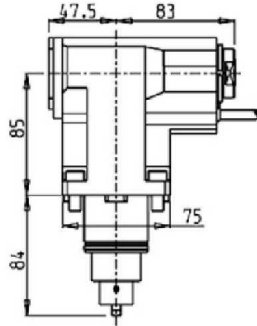
SE2200 M/LM/LMS/MA/LMA/LMSA/LMC/LMSC/Y/LY/LSY/YA/LYA/LSYA (BMT45)

DRIVEN

AXIAL SINGLE SIDE TWIN HEAD DRIVEN TOOL IN Y

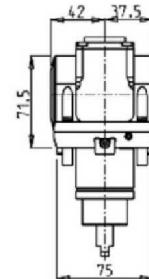
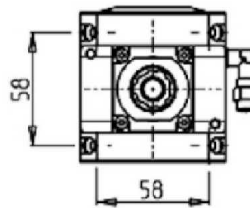
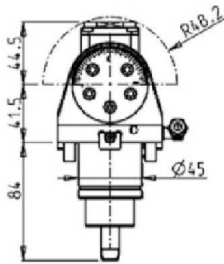
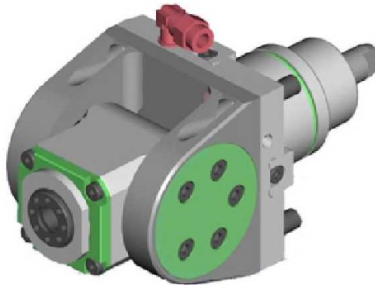
These tools will only fit the following machine models:

SE2200 Y/LY/LSY/YA/LYA/LSYA



Part Number	Description	Spindle	I	RPM	Reversible	Ext Cool
DWO 1470216	Axial Single Side Twin Head ERA16	ERA16	1:1	6000	X	X

0-180° ADJUSTABLE ANGLE DRIVEN TOOL



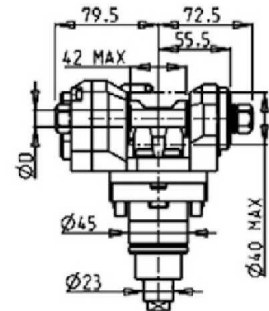
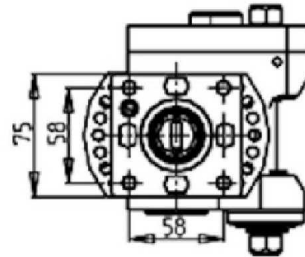
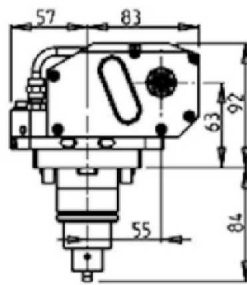
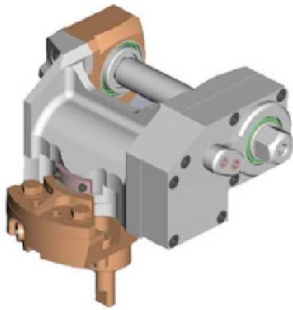
Part Number	Description	Spindle	I	RPM	Reversible	Ext Cool
DWO 0040116	0-180° Adjustable Angle ERA16	ERA16	1:1	6000	X	X

Note : Wrenches are provided with the purchase of Specialty Toolholders

SE2200 M/LM/LMS/MA/LMA/LMSA/LMC/LMSC/Y/LY/LSY/YA/LYA/LSYA (BMT45)

DRIVEN

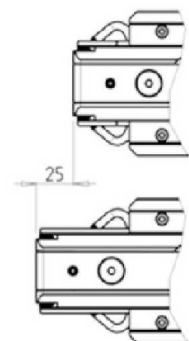
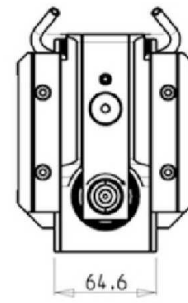
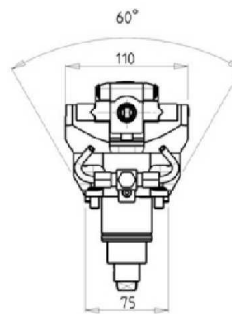
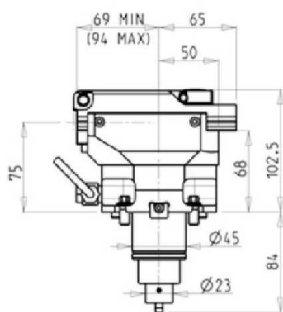
DRIVEN GEAR HOBBER



Part Number	Description	I	MAX RPM	Ext Cool	D
DWO 1611108	Gear Hobber 1:1 D=08	1:1	6000	X	8
DWO 1611110	Gear Hobber 1:1 D=10	1:1	6000	X	10
DWO 1611113	Gear Hobber 1:1 D=13	1:1	6000	X	13
DWO 1611116	Gear Hobber 1:1 D=16	1:1	6000	X	16
DWO 1611155	Gear Hobber 1:1 D=1/2"	1:1	6000	X	1/2"
DWO 1612108	Gear Hobber 2:1 Geared-Down D=8	1:1	3000	X	8
DWO 1612110	Gear Hobber 2:1 Geared-Down D=10	1:1	3000	X	10
DWO 1612113	Gear Hobber 2:1 Geared-Down D=13	1:1	3000	X	13
DWO 1612116	Gear Hobber 2:1 Geared-Down D=16	1:1	3000	X	16
DWO 1612155	Gear Hobber 2:1 Geared-Down D=1/2"	1:1	3000	X	1/2"

Note : Wrenches are provided with the purchase of Specialty Toolholders

BROACHING/SLOTING DRIVEN TOOL 25mm STROKE H=75mm

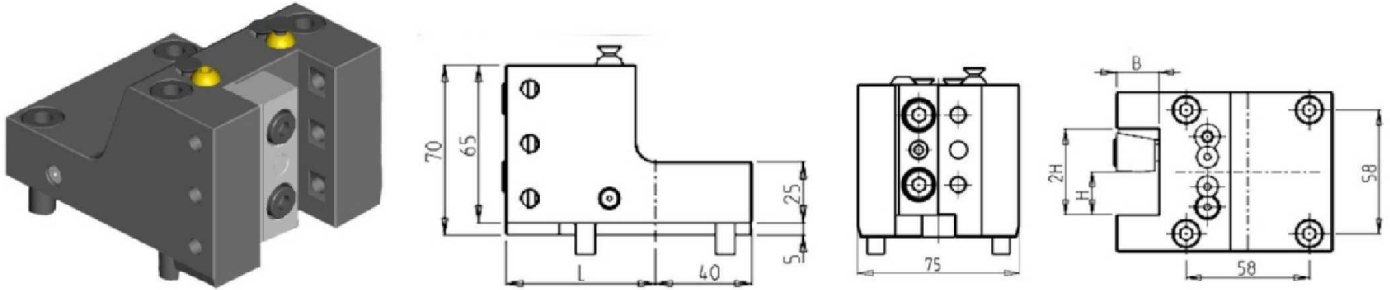


Part Number	Description	I	MAX RPM	Reversible	Ext Cool
DWO 1870200	Broaching/Slotting Tool 25mm Stroke	4:1	2400	X	X

SE2200 M/LM/LMS/MA/LMA/LMSA/LMC/LMSC/Y/LY/LSY/YA/LYA/LSYA (BMT45)

STATIC

RADIAL SINGLE STATIC TOOL

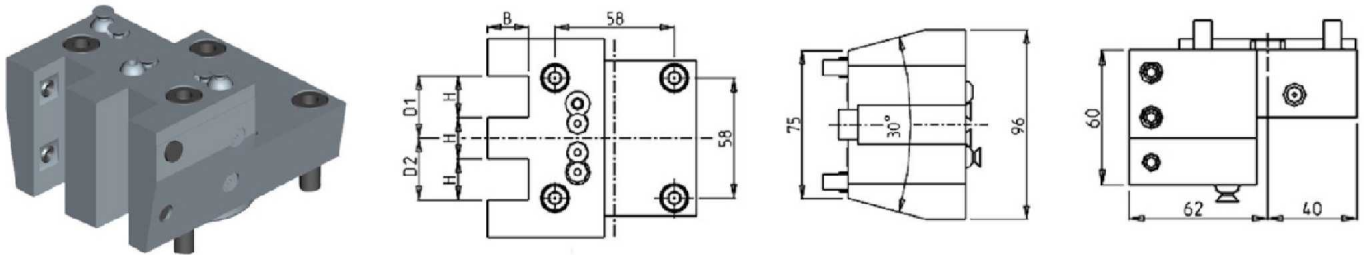


Part Number	Description	# of Tools	Reversible	Dimensions	L	B	H
DWO 0311905	Radial Single Static Tool 3/4"	1	X	mm	62	3/4"	3/4"
DWO 0312000	Radial Single Static Tool $\varnothing 20$ mm	1	X	mm	62	20	20
DWO 0312010	Radial Single Static Tool $\varnothing 20$ mm	1	X	mm	85	20	20

RADIAL SINGLE SIDE TWIN STATIC TOOL

These tools will only fit the following machine models:

SE2200 Y/LY/LSY/YA/LYA/LSYA

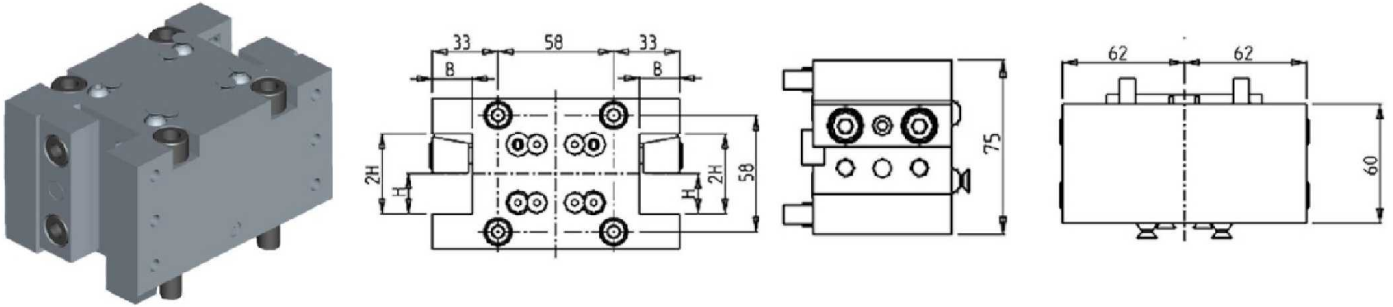


Part Number	Description	# of Tools	Reversible	Dimensions	H	B	D1	D2
DWO 1511905	Radial Single Side Twin 3/4"	2	X	Inch	3/4"	3/4"	1-1/8"	1-1/8"
DWO 1512000	Radial Single Side Twin $\varnothing 20$ mm	2	X	mm	20	20	30	30

SE2200 M/LM/LMS/MA/LMA/LMSA/LMC/LMSC/Y/LY/LSY/YA/LYA/LSYA (BMT45)

STATIC

RADIAL DOUBLE STATIC TOOL H=60mm

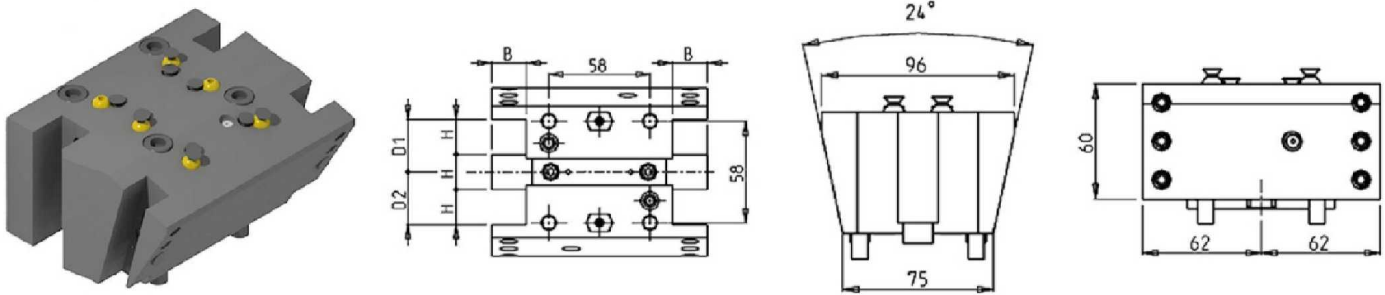


Part Number	Description	# of Tools	Reversible	Cool Thru	Ext Cool	Dimensions	B	H
DWO 1481905	Radial Double Static Tool 3/4"	2	X		X	Inch	3/4"	3/4"
DWO 1482000	Radial Double Static Tool \varnothing 20mm	2	X		X	mm	20	20
DWO 1482010	Radial Double Static Tool \varnothing 20mm Cool Thru*	2	X	X	X	mm	20	20

RADIAL DOUBLE SIDE TWIN STATIC TOOL

These tools will only fit the following machine models:

SE2200 Y/LY/LSY/YA/LYA/LSYA

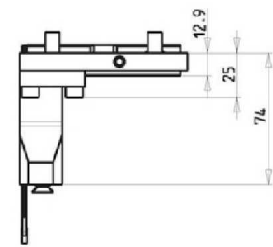
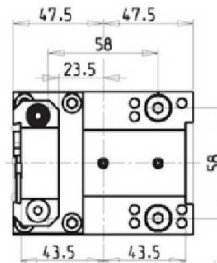
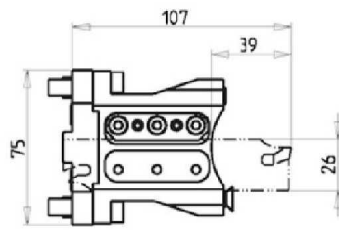
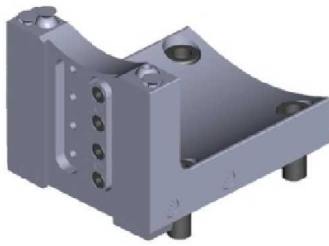


Part Number	Description	# of Tools	Reversible	Dimensions	H	B	D1	D2
DWO 3731905	Radial Double Side Twin 3/4"	4	X	Inch	3/4"	3/4"	1-1/8"	1-1/8"
DWO 3732000	Radial Double Side Twin \varnothing 20mm	4	X	mm	20	20	30	30

SE2200 M/LM/LMS/MA/LMA/LMSA/LMC/LMSC/Y/LY/LSY/YA/LYA/LSYA (BMT45)

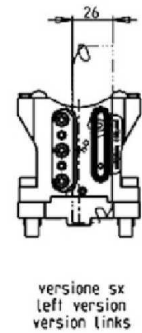
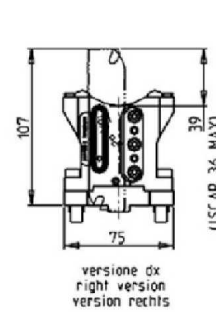
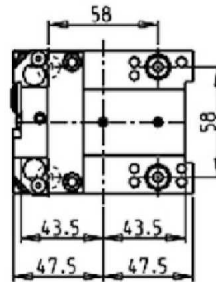
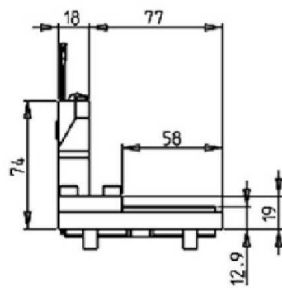
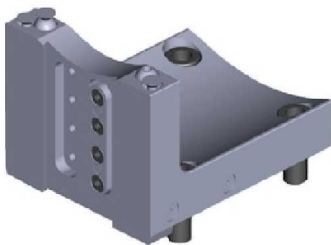
STATIC

RADIAL BLADE HOLDER WITH BLADE KIT



Part Number	Description	# of Tools	Reversible	Ext Cool
DWO 1570126	Radial Blade Holder with Blade Kit	1	X	X
BLADEKIT	Blade Kit: 1 Blade, 10 Inserts			

RADIAL BLADE HOLDER WITH INTERNAL COOLANT - BLADE KIT NOT INCLUDED

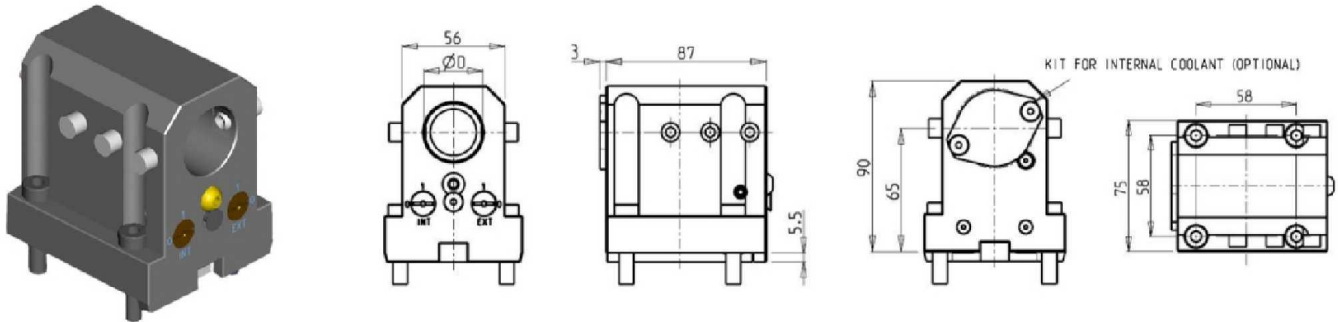


Part Number	Description	# of Tools	Reversible	Ext Cool	Cool Thru
DWO 2950126R	Radial Blade Holder Cool Thru (Right Hand)	1	X	X	X
DWO 2950126L	Radial Blade Holder Cool Thru (Left Hand)	1	X	X	X
COOL THRU BLADEKIT	Blade Kit: 1 Blade, 10 Inserts				

SE2200 M/LM/LMS/MA/LMA/LMSA/LMC/LMSC/Y/LY/LSY/YA/LYA/LSYA (BMT45)

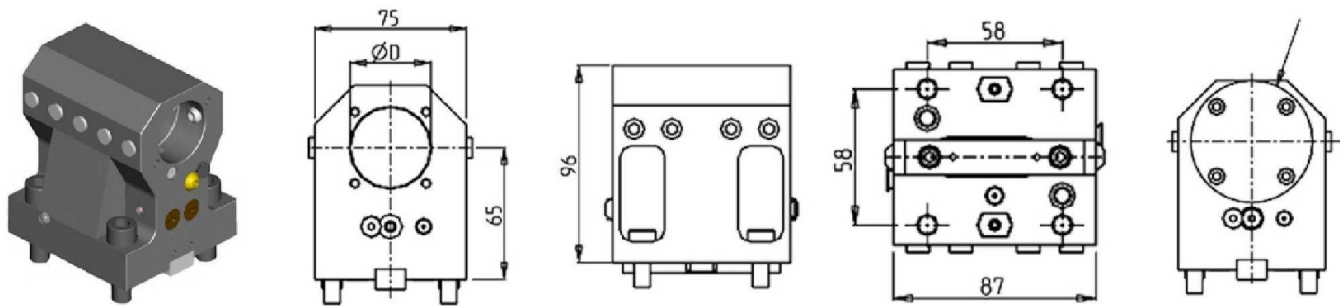
STATIC

AXIAL SINGLE BORING BAR HOLDER H=65mm



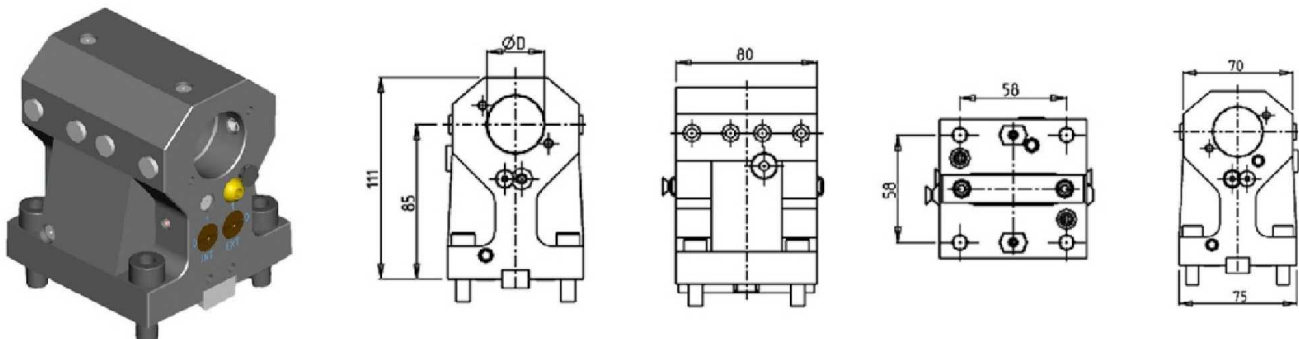
Part Number	Description	# of Tools	Reversible	Cool Thru	Ext Cool	Dimensions	D
DWO 0293175	Axial Single BBH 1-1/4"	1	X	X	X	Inch	1-1/4"
DWO 0293200	Axial Single BBH Ø32mm	1	X	X	X	mm	32
KIT 1000001	Plug for 32mm or 1 1/4" BBH to Make Cool Thru						

AXIAL SINGLE BORING BAR HOLDER H=65mm



Part Number	Description	# of Tools	Reversible	Cool Thru	Ext Cool	Dimensions	D
DWO 2914000	Axial Single BBH Ø40mm	1	X	X	X	mm	40
KIT 1000003	Plug for 40mm BBH to Make Cool Thru						

AXIAL SINGLE BORING BAR HOLDER H=85mm

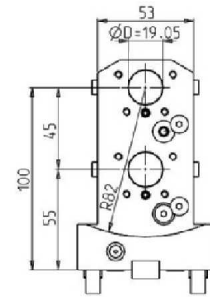
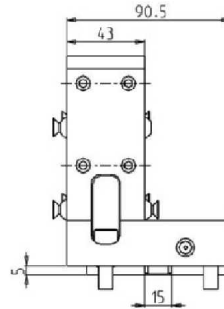
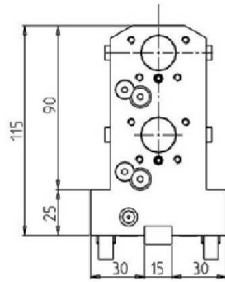


Part Number	Description	Reversible	Cool Thru	Ext Cool	Dimensions	D
DWO 2273175	Axial Single BBH 1-1/4"	X	X	X	Inch	1-1/4"
DWO 2273200	Axial Single BBH Ø32mm	X	X	X	mm	32
KIT 1000001	Plug for 32mm or 1 1/4" BBH to Make Cool Thru					

SE2200 M/LM/LMS/MA/LMA/LMSA/LMC/LMSC/Y/LY/LSY/YA/LYA/LSYA (BMT45)

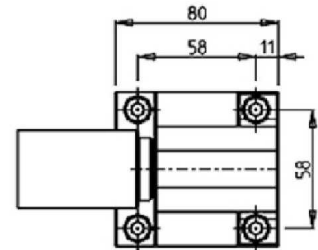
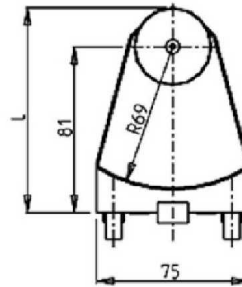
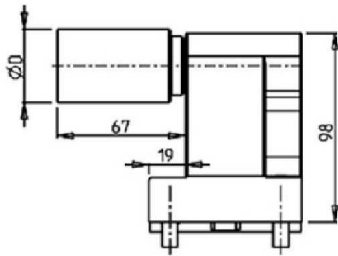
STATIC

AXIAL 2 POSITION REAR-SET BORING BAR HOLDER



Part Number	Description	# of Tools	Reversible	Cool Thru	Ext Cool	Dimensions	D
DWO 1491905	Axial 2 Position Rear-Set BBH 3/4"	2	X	X	X	Inch	3/4"
DWO 1492000	Axial 2 Position Rear-Set BBH $\varnothing 20$ mm	2	X	X	X	mm	20
KIT 1000028	Plug for 20mm or 3/4" BBH to Make Cool Thru						

TAILSTOCK FOR SUBSPINDLE

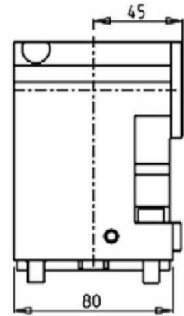
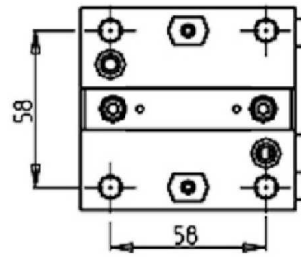
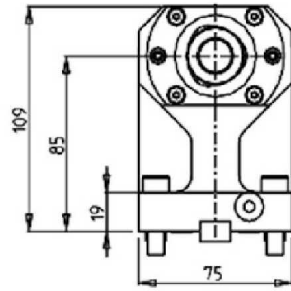
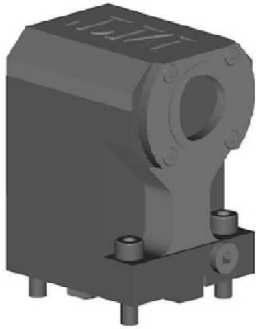


Part Number	Description	# of Tools	Reversible	D	L
DWO 1900100L	Tailstock for Subspindle 2"	1	X	2"	106.4
DWO 1900100	Tailstock for Subspindle $\varnothing 38$ mm	1	X	38	100
080003	Removable Tailstock Center				

SE2200 M/LM/LMS/MA/LMA/LMSA/LMC/LMSC/Y/LY/LSY/YA/LYA/LSYA (BMT45)

STATIC

AXIAL SINGLE STATIC TOOL CAPTO C4

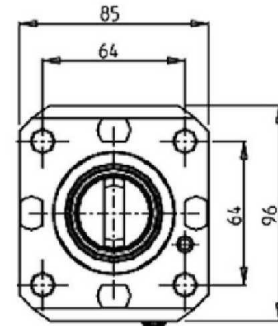
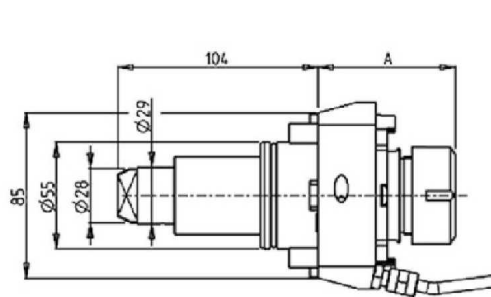
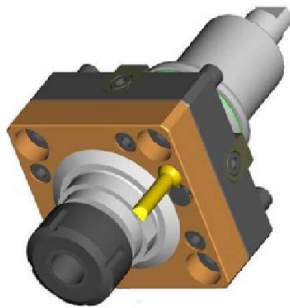


Part Number	Description	# of Tools	Cool Thru	Ext Cool	Reversible	Size
DWO 3374010	Axial Single Static Tool Capto C4 Right Hand	1	X	X	X	C4
DWO 3374010LC	Axial Single Static Tool Capto C4 Left Hand	1	X	X	X	C4

SKT160TTMS/TTSY - LM1600TTMS/TTSY - SKT180TTMS/TTSY - LM1800TTMS/TTSY - L160/230LMSA - HD2200-2600M/Y/SY (BMT55)

DRIVEN

RADIAL DRIVEN TOOL

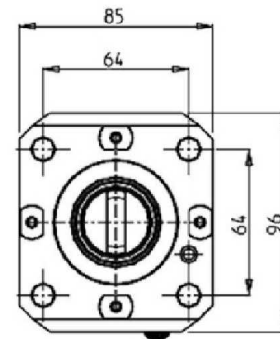
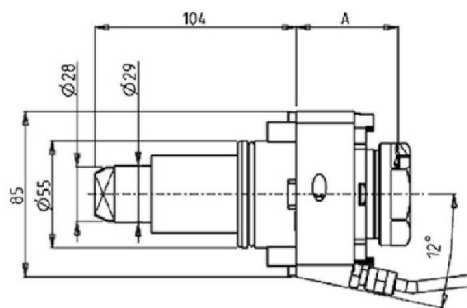
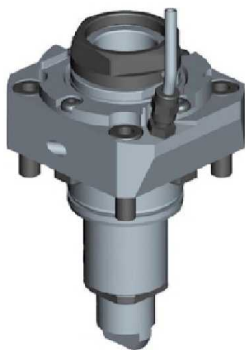


Part Number	Description	Spindle	I	RPM	Cool Thru	Ext. Cool	A
DWO 0901325	Radial ERA25	ERA25	1:1	6000		X	42.5
DWO 3490425	Radial ERA25 Cool Thru*	ERA25	1:1	6000	X	X	54.5
DWO 0901332	Radial ERA32	ERA32	1:1	6000		X	54.5
DWO 3490432	Radial ERA32 Cool Thru*	ERA32	1:1	6000	X	X	63
DWO 0901132	Radial ER32	ER32	1:1	6000		X	71.2
DWO 3490232	Radial ER32 Cool Thru*	ER32	1:1	6000	X	X	79.2

* Coolant Thru tools are designed for 1000 psi. They require 5 Micron Filtration and **CANNOT** be run dry.

QUICK CHANGE RADIAL MTSK-40 DRIVEN TOOL

See Accessories for MTSK Quick Change Tool Holder Clamps



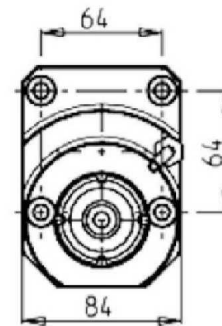
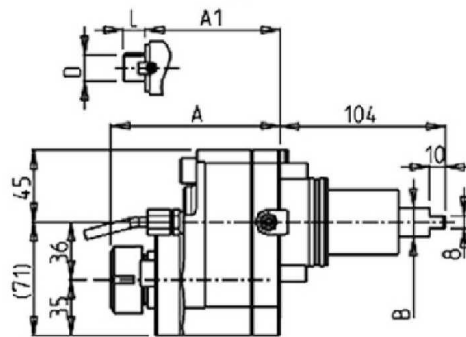
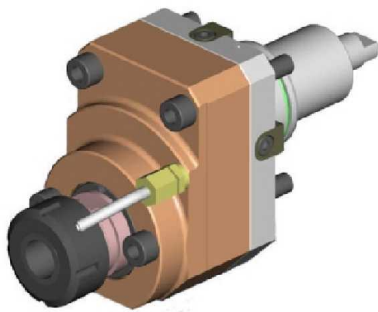
Part Number	Description	Spindle	I	RPM	Cool Thru	Ext Cool	A
DWO 0801140	Radial MTSK-40 Driven Tool	MTSK-40	1:1	6000		X	52.5
DWO 3640240	Radial MTSK-40 Driven Tool Cool Thru	MTSK-40	1:1	6000	X	X	60.5

* Coolant Thru tools are designed for 1000 psi. They require 5 Micron Filtration and **CANNOT** be run dry.

SKT160TTMS/TTSY - LM1600TTMS/TTSY - SKT180TTMS/TTSY - LM1800TTMS/TTSY - L160/230LMSA - HD2200-2600M/Y/SY (BMT55)

DRIVEN

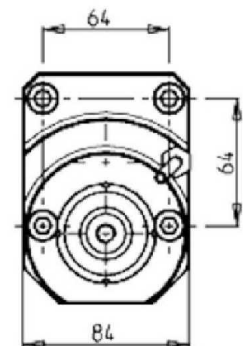
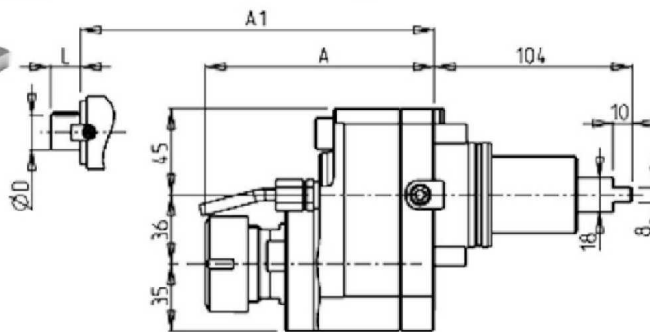
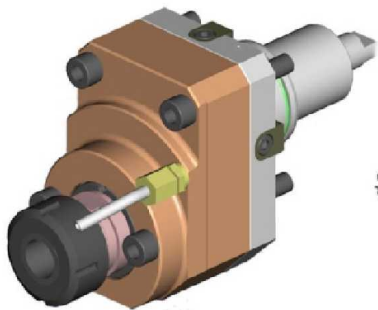
RADIAL DRIVEN TOOL RE-DIRECTED IN Z BY 36mm



Part Number	Description	Spindle	I	RPM	Reversible	Cool Thru	Ext. Cool	A	B	A1	D	L
DWO 2710420	Radial Redirected ERA20 Cool Thru	ERA20	1:1	6000	X	X	X	94.5	29			
0720025	Radial Redirected ER25	ER25	1:1	6000	X		X	106.86	20			
0720032	Radial Redirected ER32	ER32	1:1	6000	X		X	120.56	20			
0720016	Radial Redirected Mill Head 16x17mm	16x17	1:1	6000	X		X		20	88.5	16	17
0720022	Radial Redirected Mill Head 22x19mm	22x19	1:1	6000	X		X		20	90.5	22	19
0720027	Radial Redirected Mill Head 27x21mm	27x21	1:1	6000	X		X		20	92.5	27	21

* Coolant Thru tools are designed for 1000 psi.
They require 5 Micron Filtration and **CANNOT** be run dry.

RADIAL GEARED-DOWN 2:1 DRIVEN TOOL RE-DIRECTED IN Z BY 36mm

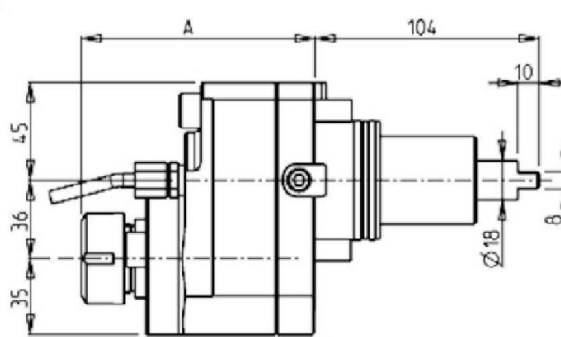
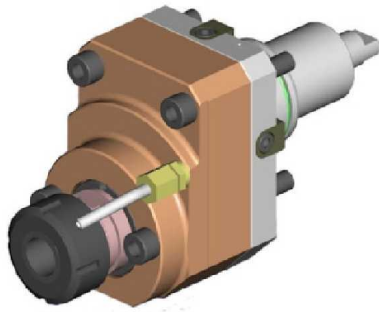


Part Number	Description	Spindle	I	RPM	Reversible	Ext. Cool	A	A1	D	L
0722132	Radial Geared-Down 2:1 Redirected ER32	ER32	2:1	3000	X	X	120.56			
0722116	Radial Geared-Down Redirected Mill Head	16x17	2:1	3000	X	X		88.5	16	17
0722122	Radial Geared-Down Redirected Mill Head	22x19	2:1	3000	X	X		90.5	22	19
0722127	Radial Geared-Down Redirected Mill Head	27x21	2:1	3000	X	X		92.5	27	21

SKT160TTMS/TTSY - LM1600TTMS/TTSY - SKT180TTMS/TTSY - LM1800TTMS/TTSY - L160/230LMSA - HD2200-2600M/Y/SY (BMT55)

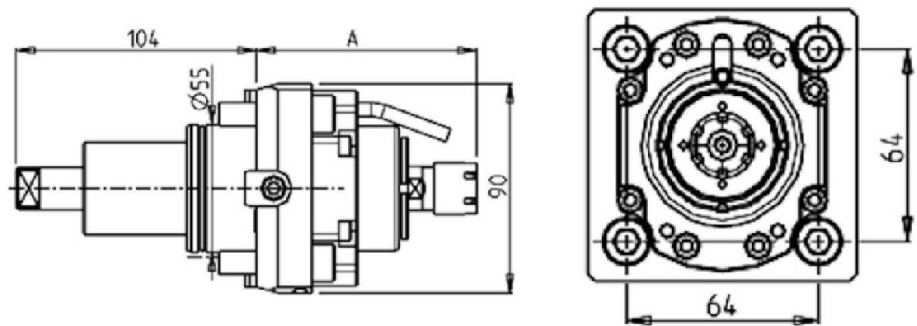
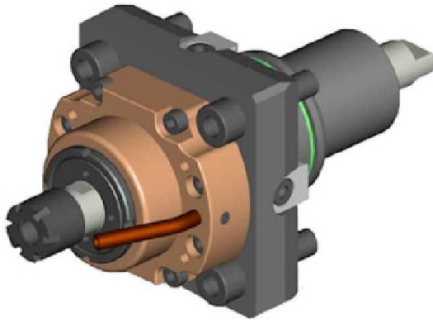
DRIVEN

RADIAL GEARED-UP 1:2 DRIVEN TOOL RE-DIRECTED IN Z BY 36mm



Part Number	Description	Spindle	I	RPM	Reversible	Ext. Cool	A
0721225	Radial Geared-Up 1:2 Redirected ER25	ER25	1:2	12000	X	X	108.56

RADIAL GEARED-UP DRIVEN TOOL I=1:5.625



Part Number	Description	Spindle	I	RPM	Cool Thru	Ext. Cool	A
DWO 0600116	Radial Geared-Up 1:5.625 ER16	ER16	1:5.625	22500		X	95.25
DWO 0600111	Radial Geared-Up 1:5.625 ER11 Cool Thru*	ER11	1:5.625	22500	X	X	107.45

*Coolant Thru tools are designed for 400 psi MAX.
They require 5 Micron Filtration and **CANNOT** be run dry.

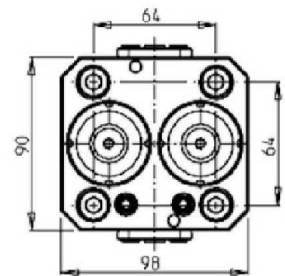
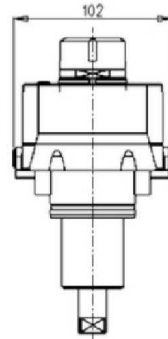
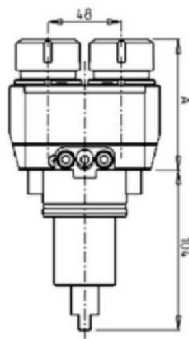
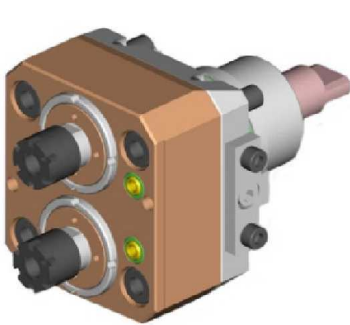
SKT160TTMS/TTSY - LM1600TTMS/TTSY - SKT180TTMS/TTSY - LM1800TTMS/TTSY - L160/230LMSA - HD2200-2600M/Y/SY (BMT55)

DRIVEN

RADIAL SINGLE-SIDE TWIN HEAD DRIVEN TOOL IN Y-AXIS

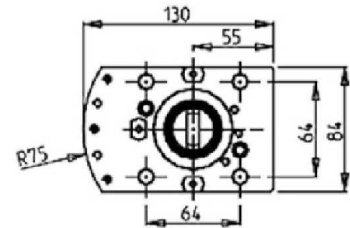
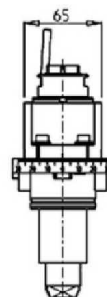
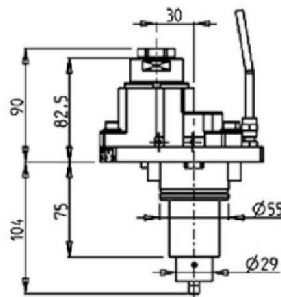
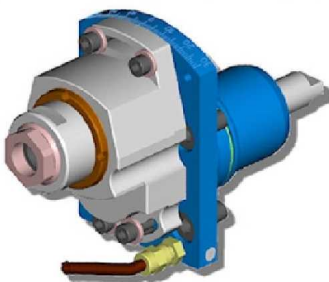
These tools will only fit the following machine models:

SKT160TTMS/TTSY - LM1600TTMS/TTSY - SKT180TTMS/TTSY - LM1800TTMS/TTSY - HD2200-2600Y/SY (BMT55)



Part Number	Description	Spindle	I	RPM	Ext. Cool	A
0730016X2	Radial Double Outlet ER16	ER16	1:1	6000	X	84.5
0730025X2	Radial Double Outlet ER25	ER25	1:1	6000	X	85

RADIAL ±30° ADJUSTABLE ANGLE DRIVEN TOOL REDIRECTED BY 30mm

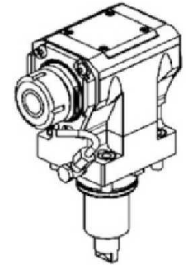
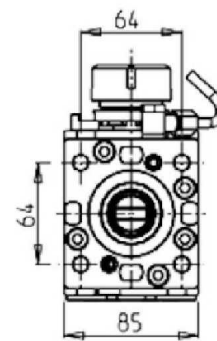
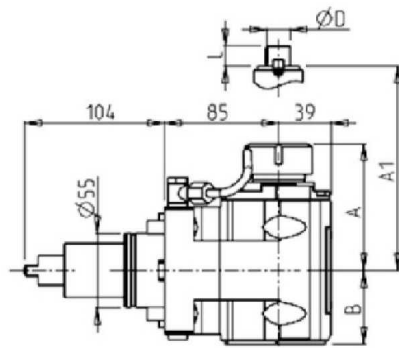


Part Number	Description	Spindle	I	RPM	Ext Cool
DWO 3530325	Radial ±30° Adj. Angle ERA25	ERA25	1:1	6000	X

SKT160TTMS/TTSY - LM1600TTMS/TTSY - SKT180TTMS/TTSY - LM1800TTMS/TTSY - L160/230LMSA - HD2200-2600M/Y/SY (BMT55)

DRIVEN

AXIAL DRIVEN TOOL H=85mm



Part Number	Description	Spindle	I	Reversible	Cool Thru	Ext. Cool	A	A1	B	D	L
DWO 0890125	Axial ER25 H=85mm	ER25	1:1	X		X	91.16	54.5			
DWO 0890225	Axial ER25 H=85mm Cool Thru*	ER25	1:1	X	X	X	91.16	65.5			
DWO 0890325	Axial ERA25 H=85mm	ERA25	1:1	X		X	65	54.5			
DWO 0890425	Axial ERA25 H=85mm Cool Thru*	ERA25	1:1	X	X	X	65	65.5			
DWO 0890132	Axial ER32 H=85mm	ER32	1:1	X		X	93.66	54.5			
DWO 0890232	Axial ER32 H=85mm Cool Thru*	ER32	1:1	X	X	X	93.66	65.5			
DWO 0890140	Axial ER40 H=85mm	ER40	1:1	X		X	98.16	54.5			
DWO 0890240	Axial ER40 H=85mm Cool Thru*	ER40	1:1	X	X	X	98.16	65.5			
DWO 0890516	Axial Mill Head D=16 L=17 H=85mm	16x17	1:1	X		X		67.5	54.5	16	17
DWO 0890522	Axial Mill Head D=22 L=19 H=85mm	22x19	1:1	X		X		67.5	54.5	22	19
DWO 0890527	Axial Mill Head D=27 L=21 H=85mm	27x21	1:1	X		X		70	54.5	27	21

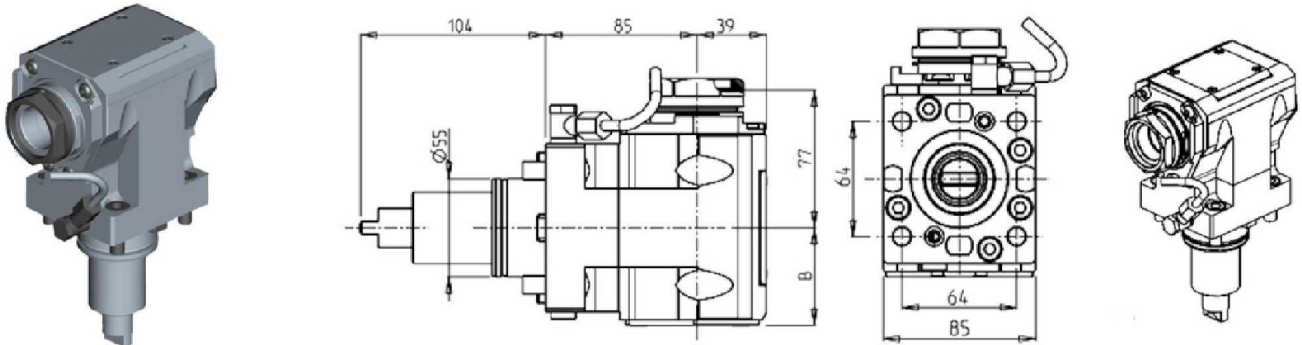
* Coolant Thru tools are designed for 1000 psi.
They require 5 Micron Filtration and **CANNOT** be run dry.

SKT160TTMS/TTSY - LM1600TTMS/TTSY - SKT180TTMS/TTSY - LM1800TTMS/TTSY - L160/230LMSA - HD2200-2600M/Y/SY (BMT55)

DRIVEN

QUICK CHANGE AXIAL MTSK-40 DRIVEN TOOL H=85mm

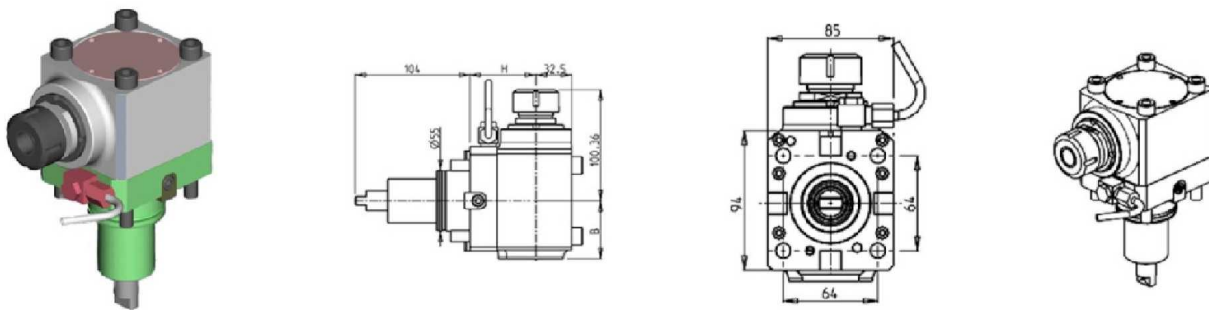
See Accessories for MTSK Quick Change Tool Holder Clamps



Part Number	Description	Spindle	Reversible	I	RPM	Cool Thru	Ext. Cool	B
DWO 0790140	Axial MTSK-40 H=85mm	MTSK-40	X	1:1	6000		X	54.5
DWO 0790240	Axial MTSK-40 H=85mm Cool Thru*	MTSK-40	X	1:1	6000	X	X	65.5

* Coolant Thru tools are designed for 1000 psi.
They require 5 Micron Filtration and **CANNOT** be run dry.

AXIAL GEARED-UP 1:2 DRIVEN TOOL H=85mm



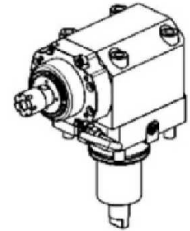
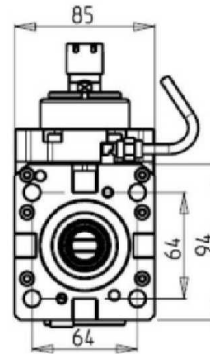
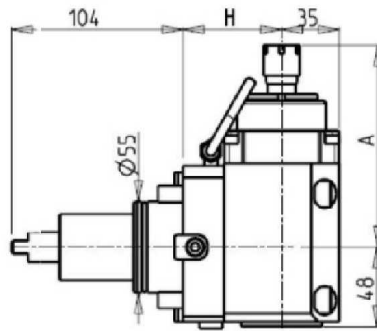
Part Number	Description	Spindle	Reversible	I	RPM	Cool Thru	Ext. Cool	H	B
0892425	Axial Geared-Up 1:2 ER25 H=85mm	ER25	X	1:2	12000		X	85	55.5
0892525	Axial Geared-Up 1:2 ER25 H=85mm Cool Thru*	ER25	X	1:2	12000	X	X	85	66.5

* Coolant Thru tools are designed for 1000 psi.
They require 5 Micron Filtration and **CANNOT** be run dry.

SKT160TTMS/TTSY - LM1600TTMS/TTSY - SKT180TTMS/TTSY - LM1800TTMS/TTSY - L160/230LMSA - HD2200-2600M/Y/SY (BMT55)

DRIVEN

AXIAL GEARED-UP 1:5.625 DRIVEN TOOL

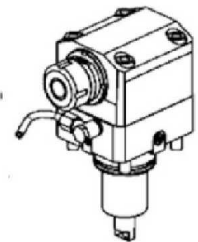
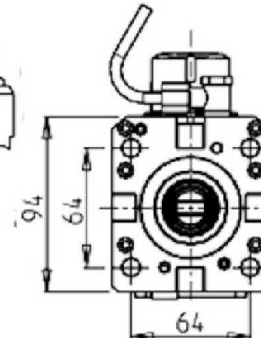
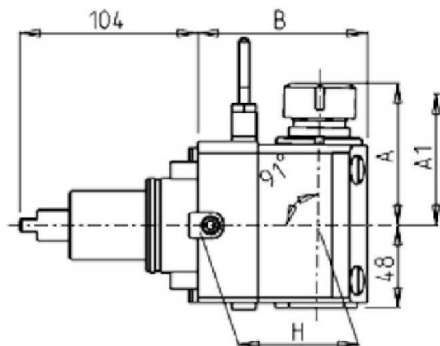
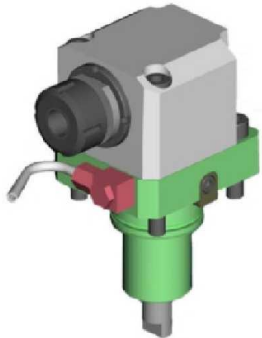


Part Number	Description	Reversible	Spindle	I	RPM	Cool Thru	Ext. Cool	A	H
DWO 0190216	Axial Geared-Up H=85mm	X	ER16	1:5.625	22500		X	121.8	85
DWO 0190211	Axial Geared-Up Cool Thru* H=85mm	X	ER11	1:5.625	22500	X		134	85

*Coolant Thru tools are designed for 400 psi MAX.
They require 5 Micron Filtration and **CANNOT** be run dry.

AXIAL DRIVEN TOOL FOR INTERNAL POLYGON MAKING

See Accessories for Polygon Making Mill Heads

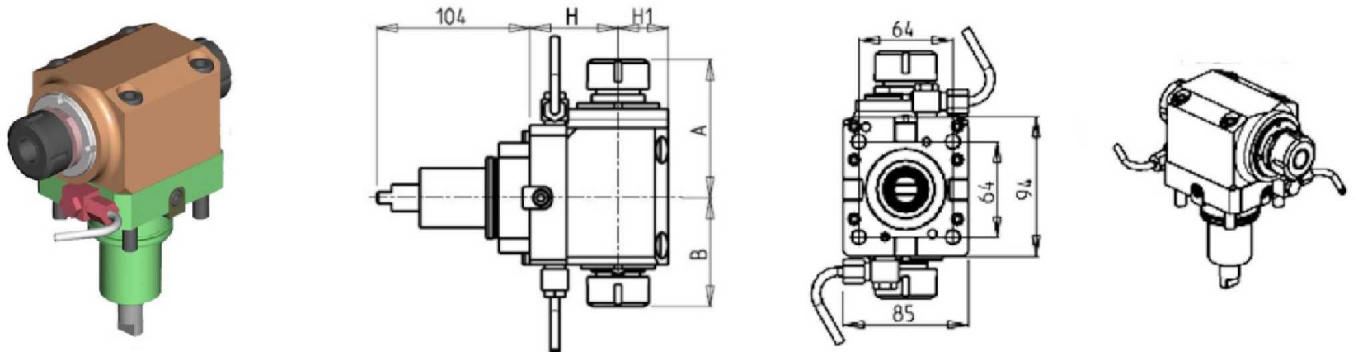


Part Number	Description	Reversible	Spindle	I	RPM	Ext. Cool	A	A1	H	B
DWO 0029125	Internal Polygon-Making ER25	X	ER25	1:1	6000	X	82.35		85	114
DWO 0029108	Internal Polygon-Making Weldon 8	X	Weldon 8	1:1	6000	X	76.5		85	114
DWO 0029110	Internal Polygon-Making Weldon 10	X	Weldon 10	1:1	6000	X	76.5		85	114
DWO 0029112	Internal Polygon-Making Weldon 12	X	Weldon 12	1:1	6000	X	76.5		85	114
DWO 0029116	Internal Polygon-Making Weldon 16	X	Weldon 16	1:1	6000	X	73.5		85	114

SKT160TTMS/TTSY - LM1600TTMS/TTSY - SKT180TTMS/TTSY - LM1800TTMS/TTSY - L160/230LMSA - HD2200-2600M/Y/SY (BMT55)

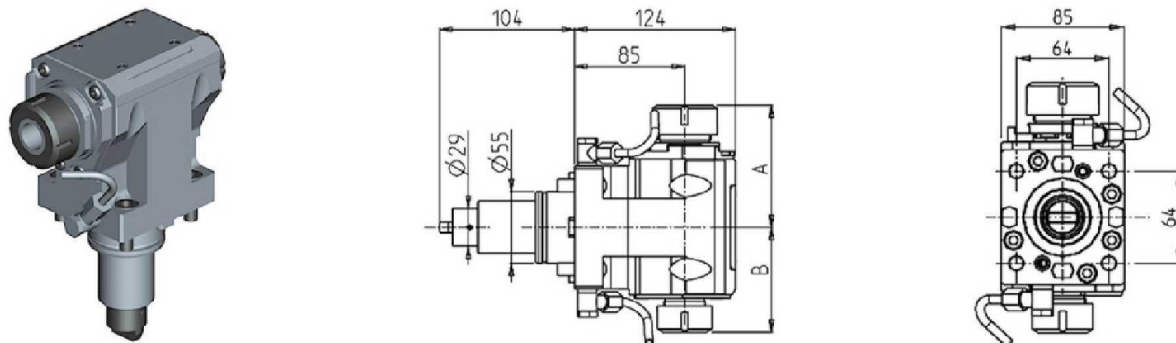
DRIVEN

AXIAL OPPOSITE FACE DRIVEN TOOL



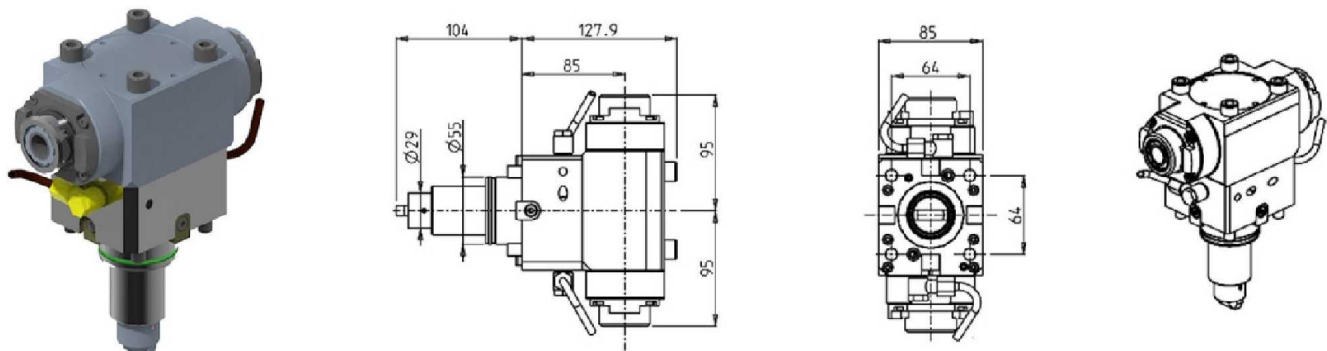
Part Number	Description	Reversible	Spindle	I	RPM	Ext. Cool	A	B	H	H1
DWO 0080225	Axial Double Outlet ER25/ER25 H=85mm	X	ER25+ER25	1:1	6000	X	93.36	73.46	85	34
DWO 0080232	Axial Double Outlet ER32/ER32 H=85mm	X	ER32+ER32	1:1	6000	X	100.56	78.96	85	34

AXIAL OPPOSITE FACE DRIVEN TOOL H=85mm



Part Number	Description	Spindle	I	RPM	Reversible	Ext. Cool	A	B
DWO 1723225	Axial Double Outlet ER32/ER25 H=85mm	ER32+ER25	1:1	6000	X	X	93.66	80.16
DWO 1722520	Axial Double Outlet ERA25/ERA20 H=85mm	ERA25+ERA20	1:1	6000	X	X	65	55.5

AXIAL GEARED-UP 1:2 OPPOSITE FACE TWIN DRIVEN TOOL H=85mm



Part Number	Description	Spindle	I	RPM	Reversible	Ext Cool
DWO 3932225	Axial Geared-Up 1:2 Opposite Face ERA25+ERA25	ERA25+ERA25	1:2	12000	X	X

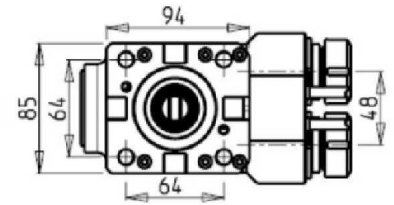
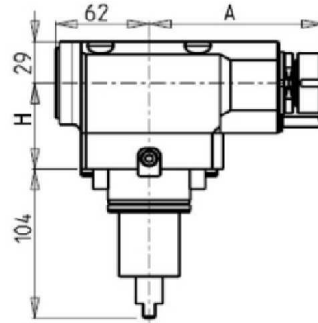
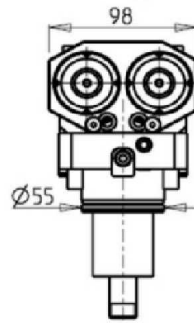
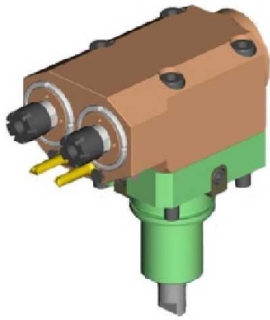
SKT160TTMS/TTSY - LM1600TTMS/TTSY - SKT180TTMS/TTSY - LM1800TTMS/TTSY - L160/230LMSA - HD2200-2600M/Y/SY (BMT55)

DRIVEN

AXIAL SINGLE SIDE TWIN HEAD DRIVEN TOOL

These tools will only fit the following machine models:

SKT160TTMS/TTSY - LM1600TTMS/TTSY - SKT180TTMS/TTSY - LM1800TTMS/TTSY - HD2200-2600Y/SY (BMT55)

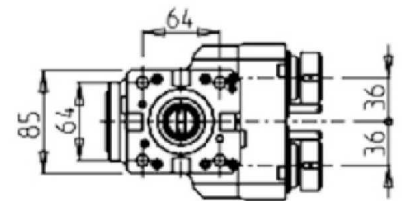
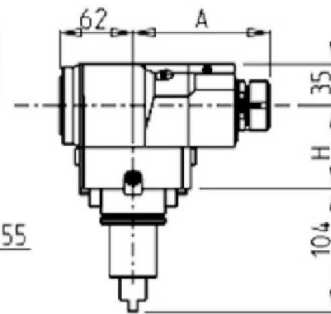
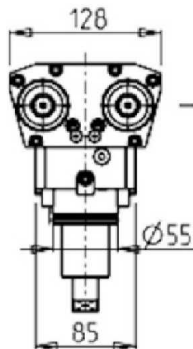


Part Number	Description	Reversible	Spindle	I	RPM	Ext. Cool	A	H
DWO 0101216	Axial Y AXIS Double Outlet ER16 H=85mm	X	ER16	1:1	6000	X	115.15	85
DWO 0101225	Axial Y AXIS Double Outlet ER25 H=85mm	X	ER25	1:1	6000	X	115.61	85

AXIAL GEARED-UP 1:2 SINGLE SIDE TWIN HEAD DRIVEN TOOL IN Y

These tools will only fit the following machine models:

SKT160TTMS/TTSY - LM1600TTMS/TTSY - SKT180TTMS/TTSY - LM1800TTMS/TTSY - HD2200-2600Y/SY (BMT55)



Part Number	Description	Reversible	Spindle	I	RPM	Ext. Cool	A	H
DWO 0952216	Axial Geared-Up 1:2 Y-Axis Double ER16 H=85	X	ER16	1:2	12000	X	115	85
DWO 0952225	Axial Geared-Up 1:2 Y-Axis Double ER25 H=85	X	ER25	1:2	12000	X	115.96	85

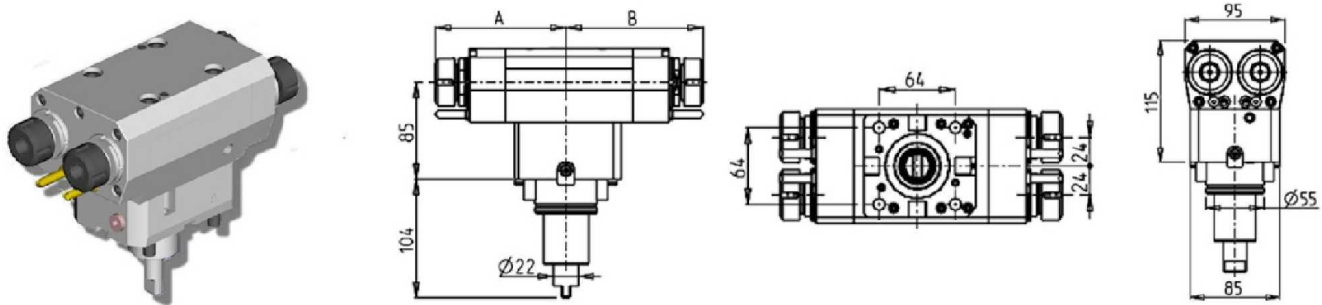
SKT160TTMS/TTSY - LM1600TTMS/TTSY - SKT180TTMS/TTSY - LM1800TTMS/TTSY - L160/230LMSA - HD2200-2600M/Y/SY (BMT55)

DRIVEN

AXIAL MULTIPLE 2+2 OUTLET DRIVEN TOOL IN Y

These tools will only fit the following machine models:

SKT160TTMS/TTSY - LM1600TTMS/TTSY - SKT180TTMS/TTSY - LM1800TTMS/TTSY - HD2200-2600Y/SY (BMT55)

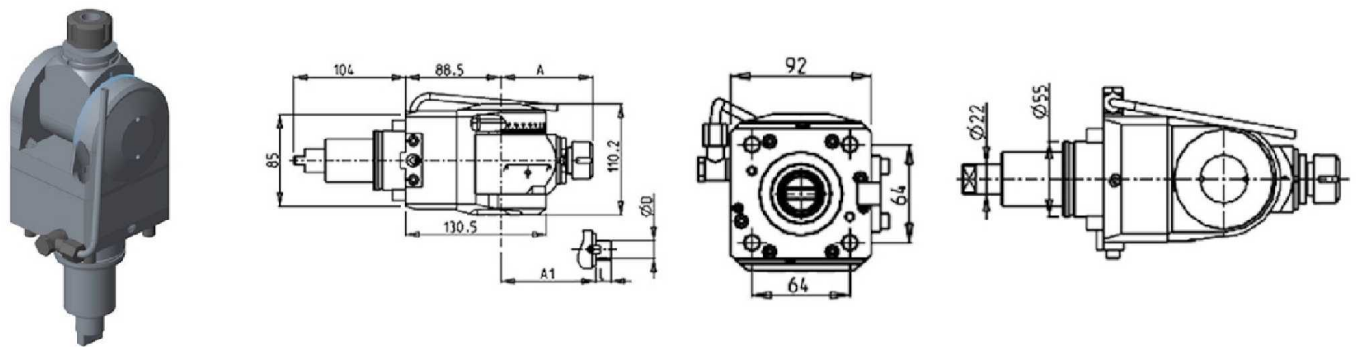


Part Number	Description	Spindle	I	RPM	Reversible	# of Tools	Ext Cool	A	B
DWO 2402416	Axial Multiple 2+2 Outlet in Y ER16+ER16	ER16+ER16	1:1	6000	X	2+2	X	114.7	120.7
DWO 2402425	Axial Multiple 2+2 Outlet in Y ER25+ER25	ER25+ER25	1:1	6000	X	2+2	X	115.6	121.6

0-180 ADJUSTABLE ANGLE DRIVEN TOOL H=88.5mm

These tools will only fit the following machine models:

L160/230LMSA - HD2200-2600M/Y/SY (BMT55)



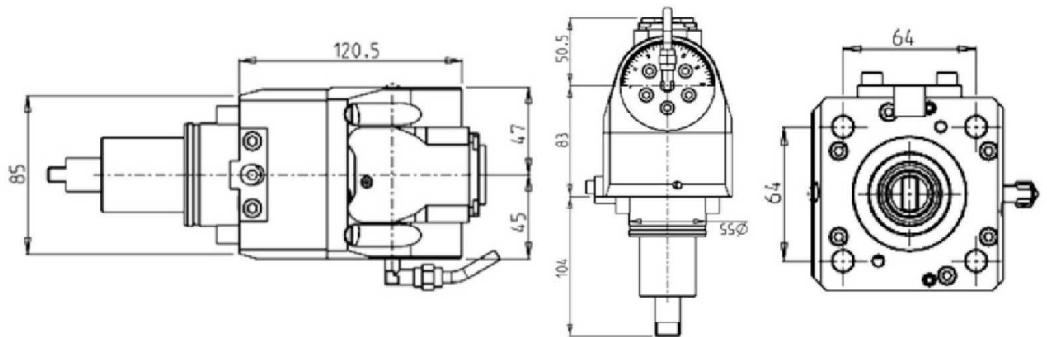
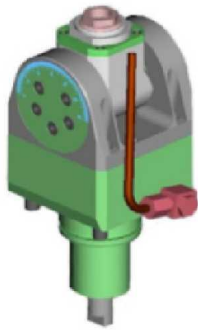
Part Number	Description	Spindle	I	RPM	Reversible	Ext Cool	A	A1	D	L
DWO 1970120	0-180 Adjustable Angle ER20	ER20	1:1	6000	X	X	85.16			
DWO 1970125	0-180 Adjustable Angle ER25	ER25	1:1	6000	X	X	86.16			
DWO 1970519	0-180 Adjustable Angle 3/4"x3/4"	3/4"x3/4"	1:1	6000	X	X	65	3/4"	3/4"	
DWO 1970516	0-180 Adjustable Angle 16x17mm	16x17mm	1:1	6000	X	X	65	16	17	
DWO 1970522	0-180 Adjustable Angle 22x19mm	22x19mm	1:1	6000	X	X	66	22	19	

Note : Wrenches are provided with the purchase of Specialty Toolholders

SKT160TTMS/TTSY - LM1600TTMS/TTSY - SKT180TTMS/TTSY - LM1800TTMS/TTSY - L160/230LMSA - HD2200-2600M/Y/SY (BMT55)

DRIVEN

0-180 ADJUSTABLE ANGLE DRIVEN TOOL H=83mm



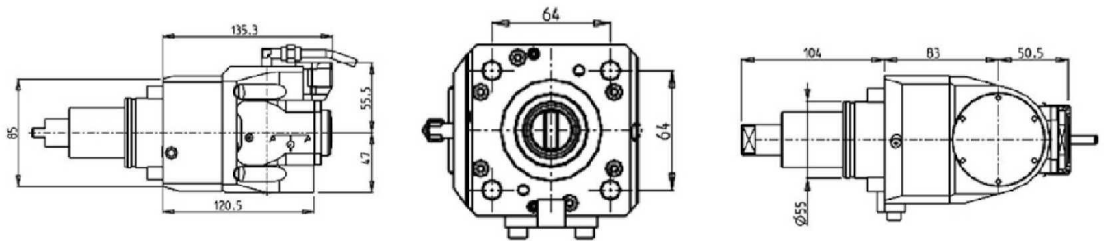
Part Number	Description	Spindle	I	RPM	Cool Thru	Ext. Cool
DWO 0661120	0-180 Adj.Angle ERA20 H=83mm	ERA20	1:1	6000		X
DWO 0661220	0-180 Adj.Angle ERA20 H=83mm, Cool Thru*	ERA20	1:1	6000	X	X

* Coolant Thru tools are designed for 1000 psi. They require 5 Micron Filtration and **CANNOT** be run dry.

Note :

Wrenches are provided with the purchase of Specialty Toolholders

0-180 ADJUSTABLE ANGLE DRIVEN TOOL WITH DIGITAL DISPLAY H=83mm



Part Number	Description	Spindle	I	RPM	Cool Thru	Ext Cool
DWO 0666120	0-180 Adj. Angle ERA20 with Digital Display	ERA20	1:1	6000		X
DWO 0666220	0-180 Adj. Angle ERA20 with Digital Display Cool Thru*	ERA20	1:1	6000	X	X

* Coolant Thru tools are designed for 1000 psi. They require 5 Micron Filtration and **CANNOT** be run dry.

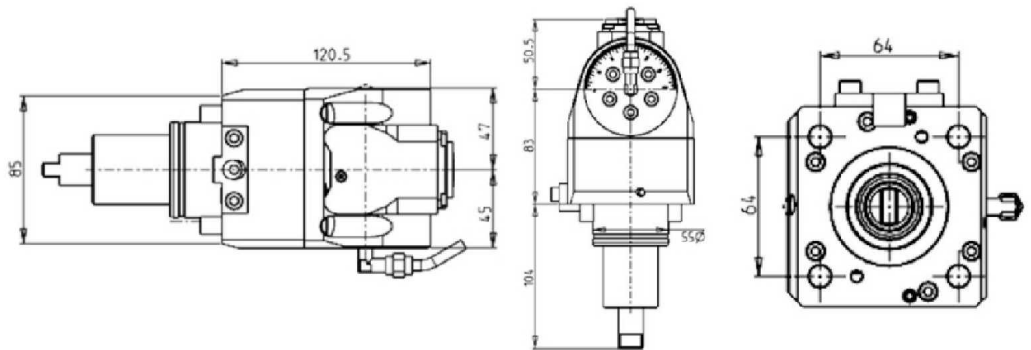
Note :

Wrenches are provided with the purchase of Specialty Toolholders

SKT160TTMS/TTSY - LM1600TTMS/TTSY - SKT180TTMS/TTSY - LM1800TTMS/TTSY - L160/230LMSA - HD2200-2600M/Y/SY (BMT55)

DRIVEN

0-180 ADJUSTABLE ANGLE DRIVEN TOOL GEARED-UP 1:2 H=83mm



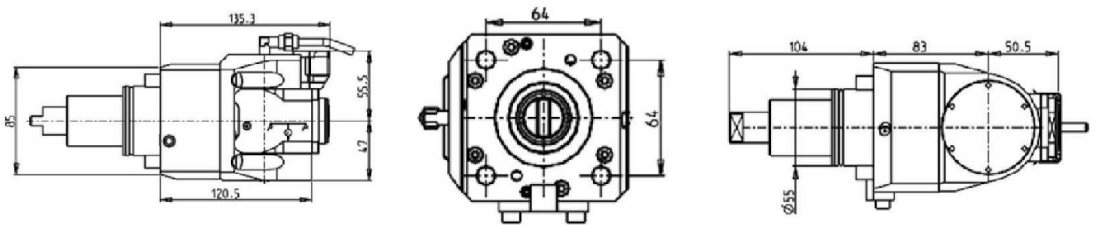
Part Number	Description	Spindle	I	RPM	Cool Thru	Ext. Cool
DWO 0661316	0-180 Adj.Angle Geared-Up 1:2 H=83mm	ERA16	1:2	12000		X
DWO 0661416	0-180 Adj.Angle Geared-Up 1:2 H=83mm, Cool Thru*	ERA16	1:2	12000	X	X

* Coolant Thru tools are designed for 1000 psi.
They require 5 Micron Filtration and **CANNOT** be run dry.

Note :

Wrenches are provided with the purchase of Specialty Toolholders

0-180 ADJUSTABLE ANGLE DRIVEN TOOL GEARED-UP 1:2 WITH DIGITAL DISPLAY H=83mm



Part Number	Description	Spindle	I	RPM	Cool Thru	Ext Cool
DWO 0666316	0-180 Adj. Angle ERA16 Geared-Up with Digital Display	ERA16	1:2	12000		X
DWO 0666416	0-180 Adj. Angle ERA16 Geared-Up with Digital Display Cool Thru*	ERA16	1:2	12000	X	X

* Coolant Thru tools are designed for 1000 psi.
They require 5 Micron Filtration and **CANNOT** be run dry.

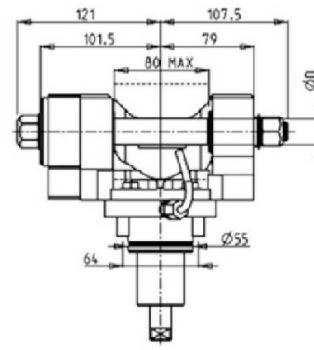
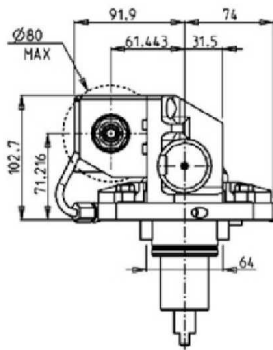
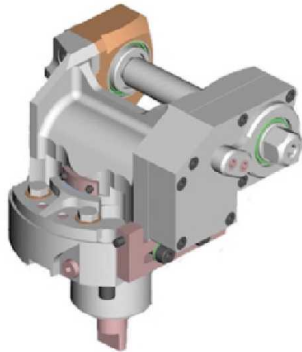
Note :

Wrenches are provided with the purchase of Specialty Toolholders

SKT160TTMS/TTSY - LM1600TTMS/TTSY - SKT180TTMS/TTSY - LM1800TTMS/TTSY - L160/230LMSA - HD2200-2600M/Y/SY (BMT55)

DRIVEN

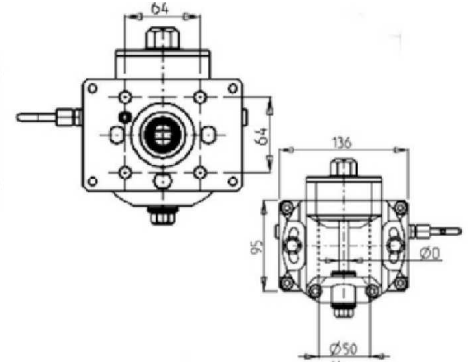
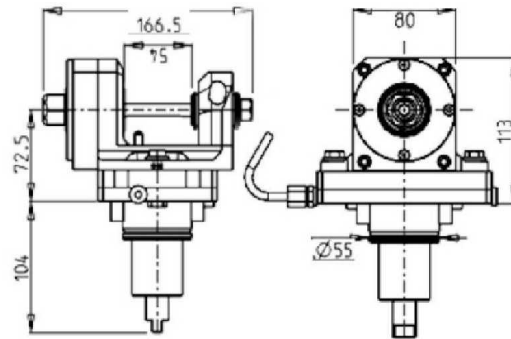
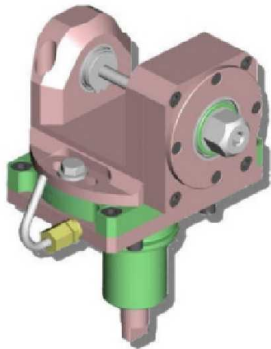
DRIVEN GEAR HOBBER



Part Number	Description	I	RPM	Reversible	Ext. Cool	D mm	D Inch
0621100	Gear Hobber 1:1	1:1	6000	X	X	16-22-27-32	3/4"-1"-1 1/4"
0622100	Gear Hobber 2:1 Geared-Down	2:1	3000	X	X	16-22-27-32	3/4"-1"-1 1/4"

Note : Wrenches are provided with the purchase of Specialty Toolholders

GEAR HOBBER - RADIAL DRIVEN



Part Number	Description	I	RPM	Ext. Cool	D mm
DWO 0051108	Radial Gear Hobber 1:1 D=8mm	1:1	6000	X	8
DWO 0051110	Radial Gear Hobber 1:1 D=10mm	1:1	6000	X	10
DWO 0051113	Radial Gear Hobber 1:1 D=13mm	1:1	6000	X	13
DWO 0051116	Radial Gear Hobber 1:1 D=16mm	1:1	6000	X	16

Note : Wrenches are provided with the purchase of Specialty Toolholders

SKT160TTMS/TTSY - LM1600TTMS/TTSY - SKT180TTMS/TTSY - LM1800TTMS/TTSY - L160/230LMSA - HD2200-2600M/Y/SY (BMT55)

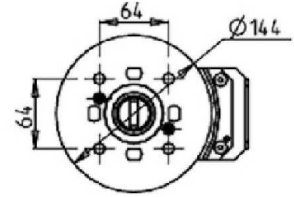
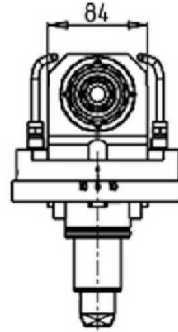
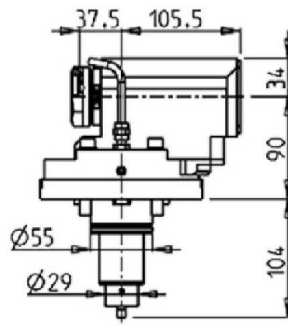
DRIVEN

QUICK CHANGE AXIAL MTSK-40 DRIVEN TOOL FOR POWER SKIVING H=90mm

These tools will only fit the following machine models:

SKT160TTMS/TTSY - LM1600TTMS/TTSY - SKT180TTMS/TTSY - LM1800TTMS/TTSY - HD2200-2600Y/SY (BMT55)

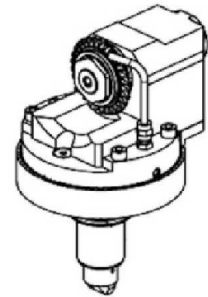
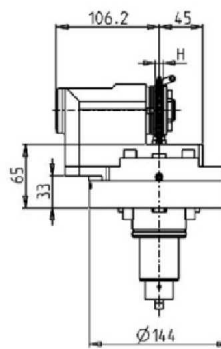
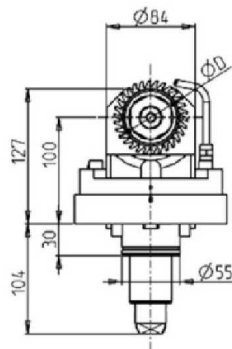
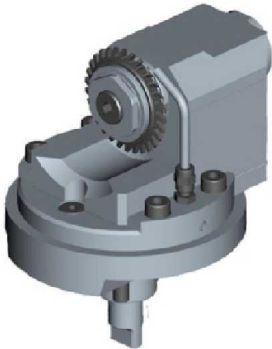
See Accessories for MTSK Quick Change Tool Holder Clamps



Part Number	Description	Spindle	I	RPM	Reversible	Ext Cool
DWO 1760100	Axial MTSK-40 for Power Skiving	MTSK-40	1:1	6000	X	X

Note : Wrenches are provided with the purchase of Specialty Toolholders

WORM GEAR DRIVEN TOOL



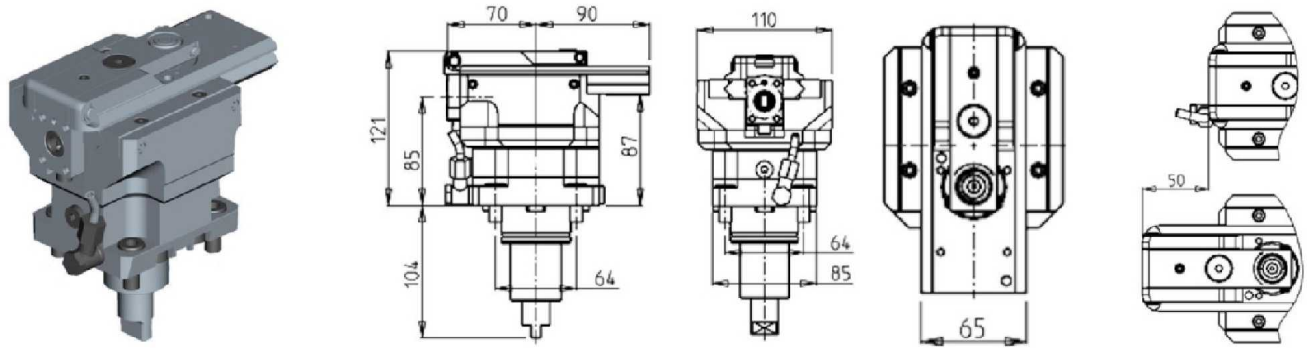
Part Number	Description	Spindle	I	RPM	Reversible	Ext. Cool	D	H
DWO 1628125	Driven Worm Gear Tool 1"x12mm	1"x12	1:1	6000	X	X	63-70-80	Max 12
DWO 1628022	Driven Worm Gear Tool 22mmx12mm	22x12	1:1	6000	X	X	63-70-80	Max 12

Note : Wrenches are provided with the purchase of Specialty Toolholders

SKT160TTMS/TTSY - LM1600TTMS/TTSY - SKT180TTMS/TTSY - LM1800TTMS/TTSY - L160/230LMSA - HD2200-2600M/Y/SY (BMT55)

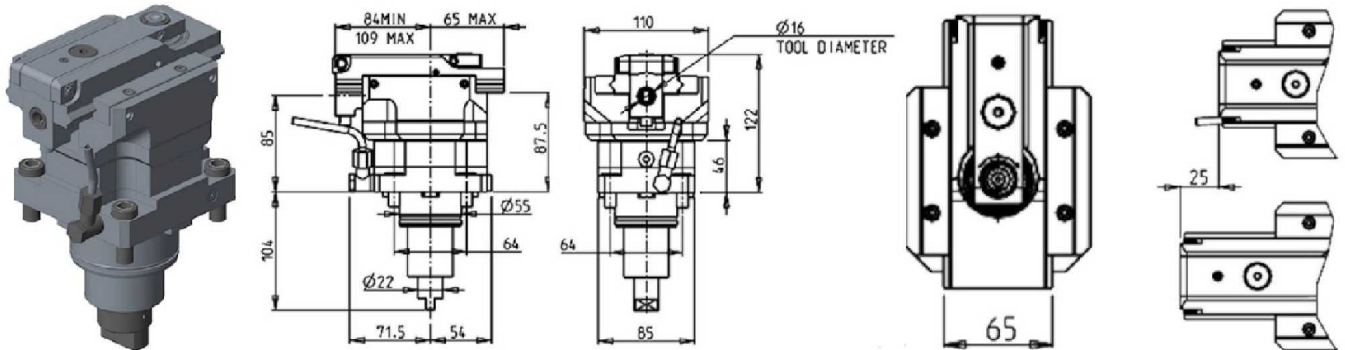
DRIVEN

BROACHING/SLOTING TOOL 50mm STROKE



Part Number	Description	I	RPM	Reversible	Ext. Cool
DWO 1030100	Broaching/Slotting Tool 50mm Stroke	4:1	2000	X	X

BROACHING/SLOTING TOOL 25mm STROKE

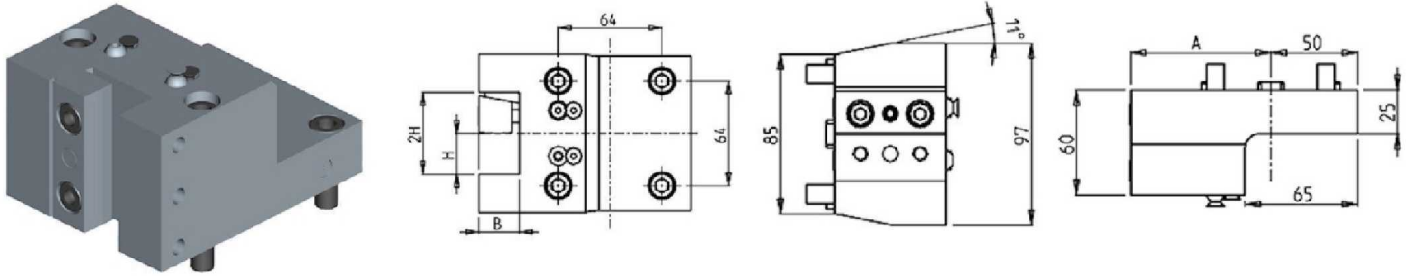


Part Number	Description	I	RPM MAX	Reversible	Ext. Cool
DWO 1030200	Broaching/Slotting Tool 25mm Stroke	4:1	2400	X	X

SKT160TTMS/TTSY - LM1600TTMS/TTSY - SKT180TTMS/TTSY - LM1800TTMS/TTSY - L160/230LMSA - HD2200-2600M/Y/SY (BMT55)

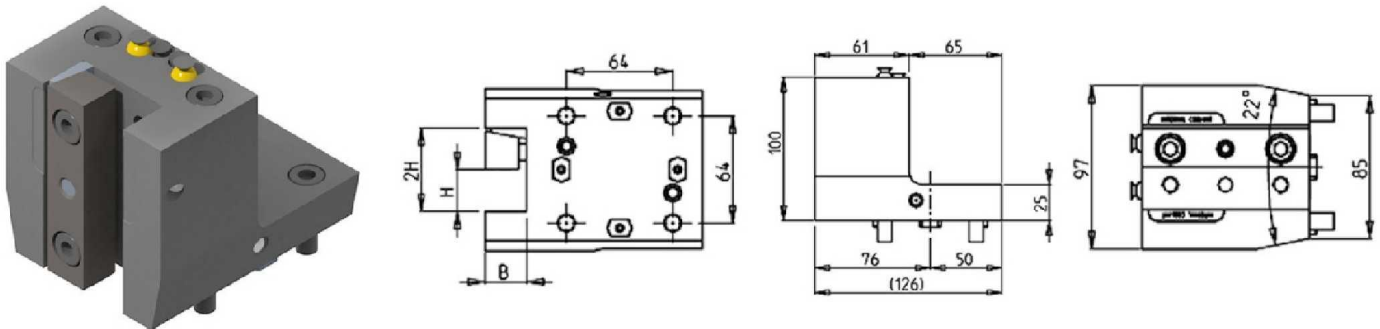
STATIC

RADIAL SINGLE STATIC TOOL H=60mm



Part Number	Description	# of Tools	Reversible	Cool Thru	Ext Cool	Dimensions	A	B	H
DWO 3842540	Radial Single Static Tool 1"	1	X		X	Inch	76	1"	1"
DWO 3842500	Radial Single Static Tool 25mm	1	X		X	mm	76	25	25
DWO 2222510	Radial Single Static Tool 25mm Cool Thru	1	X	X	X	mm	81	25	25

RADIAL SINGLE STATIC TOOL H=100mm

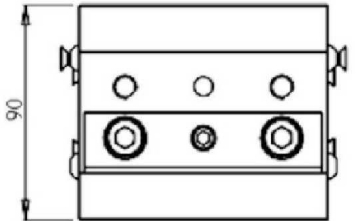
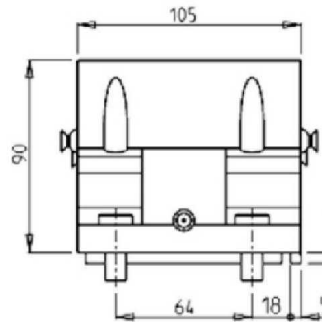
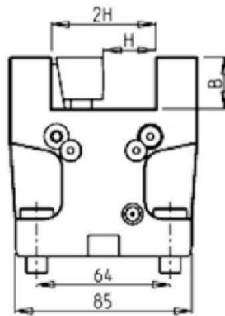
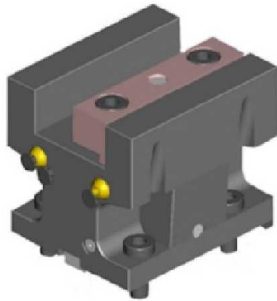


Part Number	Description	# of Tools	Reversible	Cool Thru	Ext Cool	Dimensions	B	H
DWO 3862510	Radial Single Static Tool 25mm	1	X	X	X	mm	25	25

SKT160TTMS/TTSY - LM1600TTMS/TTSY - SKT180TTMS/TTSY - LM1800TTMS/TTSY - L160/230LMSA - HD2200-2600M/Y/SY (BMT55)

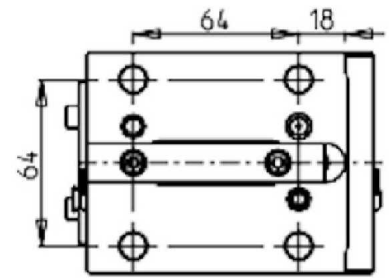
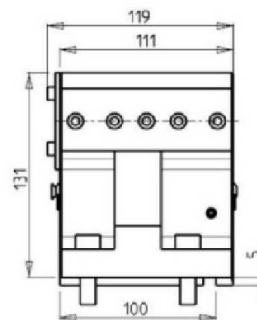
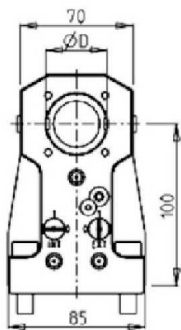
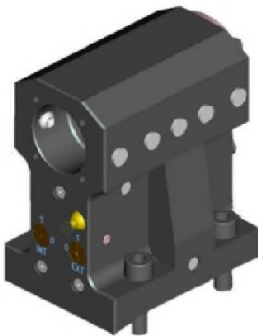
STATIC

AXIAL STATIC TOOL



Part Number	Description	# of Tools	Reversible	Cool Thru	Ext Cool	Dimensions	B	H
DWO 0422540	Axial Static Tool 1" x 1"	1	X		X	Inch	1"	1"
DWO 0422500	Axial Static Tool 25mm x 25mm	1	X		X	mm	25	25
DWO 0422510	Axial Static Tool 25mm x 25mm Cool Thru	1	X	X	X	mm	25	25

AXIAL SINGLE BORING BAR HOLDER H=100mm

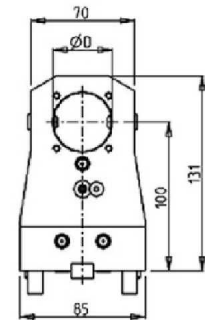
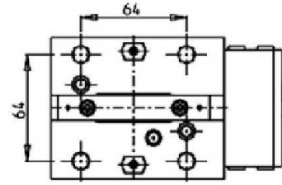
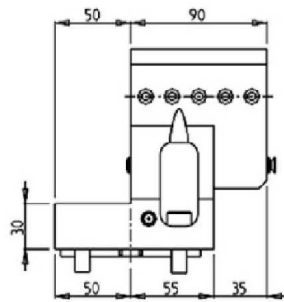
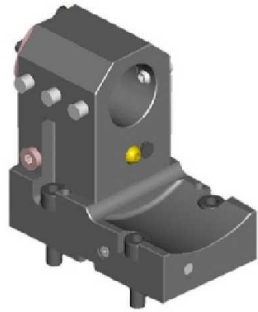


Part Number	Description	# of Tools	Reversible	Cool Thru	Ext. Cool	Dimensions	D
DWO 0393810	Axial Single BBH: 1 1/2" 100mm Interaxis	1	X	X	X	Inch	1 1/2"
DWO 0394000	Axial Single BBH: 40mm 100mm Interaxis	1	X	X	X	mm	40
KIT 1000004	Plug for 1-1/2" BBH to Make Cool Thru						
KIT 1000003	Plug for 40mm BBH to Make Cool Thru						

SKT160TTMS/TTSY - LM1600TTMS/TTSY - SKT180TTMS/TTSY - LM1800TTMS/TTSY - L160/230LMSA - HD2200-2600M/Y/SY (BMT55)

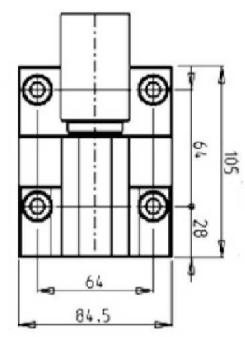
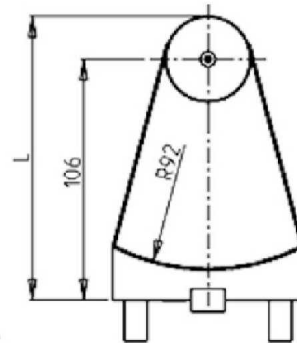
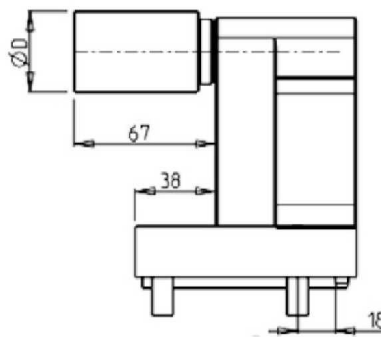
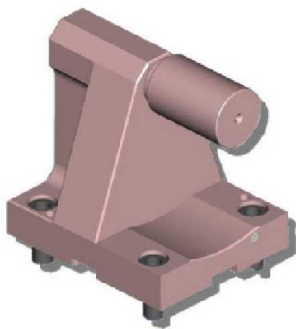
STATIC

AXIAL REAR-SET BORING BAR HOLDER H=100mm



Part Number	Description	Reversible	Cool Thru	Ext Cool	Dimensions	D
DWO 2344000	Axial Rear-Set BBH 40mm	X	X	X	mm	40
KIT 1000003	Plug for 40mm BBH to Make Cool Thru					

TAILSTOCK FOR SUBSPINDLE

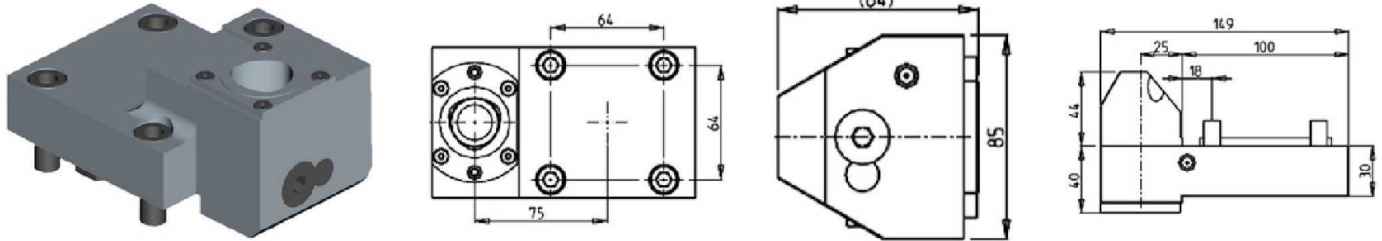


Part Number	Description	# of Tools	D	L
0820100L	Tailstock for Sub Spindle 2"	1	2"	131.4
0820100	Tailstock for Sub Spindle 38mm	1	38	125
080003	Removable Tailstock Center			

SKT160TTMS/TTSY - LM1600TTMS/TTSY - SKT180TTMS/TTSY - LM1800TTMS/TTSY - L160/230LMSA - HD2200-2600M/Y/SY (BMT55)

STATIC

SINGLE REAR-SET RADIAL STATIC TOOL CAPTO C4

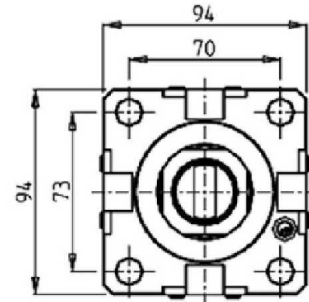
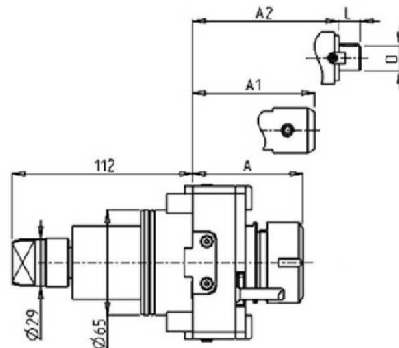
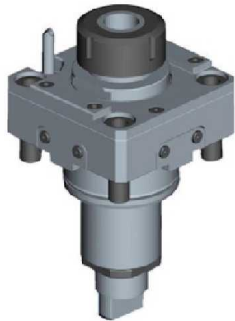


Part Number	Description	# of Tools	Cool Thru	Reversible	Size
DWO 0444010	Radial Single Rear Set Capto C4 Right Hand	1	X	X	C4
DWO 0444010LC	Radial Single Rear Set Capto C4 Left Hand	1	X	X	C4

SKT200TTM/TTMS/TTSY - LM2000TTM/TTMS/TTSY - L2000/2100/2600/3000Y/SY - L300M/LM/MS/LMS - SKT250TTM/TTMS/TTSY - LM2500TTM/TTMS/TTSY - SKT250M/LM/MS - SKT300M/LM/MS - SKT-V3RM/LM - KM2600MTS - LV450RM/LM - HD2600/3100 (BMT65)

DRIVEN

RADIAL REINFORCED DRIVEN TOOL

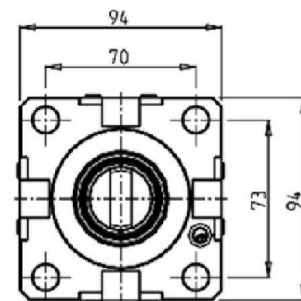
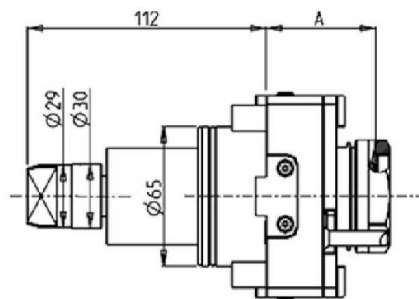
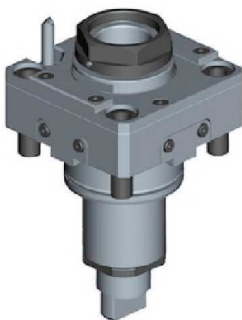


Part Number	Description	Spindle	I	RPM	Cool Thru	Ext. Cool	A	A1	A2	D	L
DWO 1540132	Radial Reinforced ER32	ER32	1:1	6000		X	68.7				
DWO 3470232	Radial Reinforced ER32 Cool Thru*	ER32	1:1	6000	70 BAR	X	79.2				
DWO 1540140	Radial Reinforced ER40	ER40	1:1	6000		X	71.7				
DWO 3470240	Radial Reinforced ER40 Cool Thru*	ER40	1:1	6000	70 BAR	X	82.2				
DWO 1540827	Radial Reinforced 27x21mm Cool Thru*	27x21	1:1	6000	30 BAR	X				56.5	21
DWO 1540625	Radial Reinforced Weldon 25 Cool Thru*	Weldon 25	1:1	6000	30 BAR	X				72.5	

* Coolant Thru tools are designed for 400/1000 psi. They require 5 Micron Filtration and **CANNOT** be run dry.
30 BAR=400 PSI 70 BAR=1000 PSI

QUICK CHANGE RADIAL MTSK REINFORCED DRIVEN TOOL

See Accessories for MTSK Quick Change Tool Holder Clamps



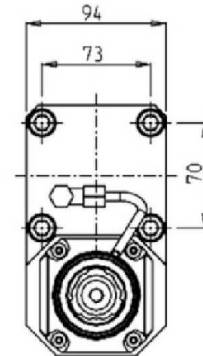
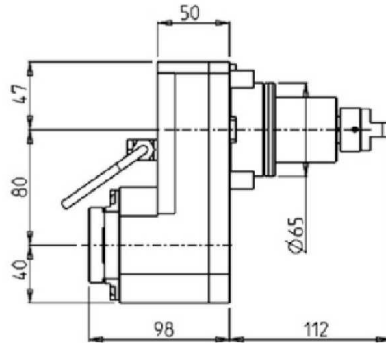
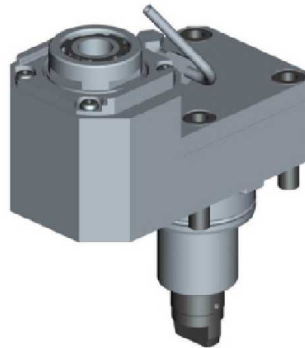
Part Number	Description	Spindle	I	RPM	Cool Thru	Ext. Cool	A
DWO 1550140	Radial MTSK-40 Reinforced	MTSK-40	1:1	6000		X	51.5
DWO 3480240	Radial MTSK-40 Reinforced Cool Thru*	MTSK-40	1:1	6000	X	X	62.5
DWO 1550150	Radial MTSK-50 Reinforced	MTSK-50	1:1	6000		X	51.5
DWO 3480250	Radial MTSK-50 Reinforced Cool Thru*	MTSK-50	1:1	6000	X	X	62.5

* Coolant Thru tools are designed for 1000 psi. They require 5 Micron Filtration and **CANNOT** be run dry.

SKT200TTM/TTMS/TTSY - LM2000TTM/TTMS/TTSY - L2000/2100/2600/3000Y/SY - L300M/LM/MS/LMS - SKT250TTM/TTMS/TTSY - LM2500TTM/TTMS/TTSY - SKT250M/LM/MS - SKT300M/LM/MS - SKT-V3RM/LM - KM2600MTTS - LV450RM/LM - HD2600/3100 (BMT65)

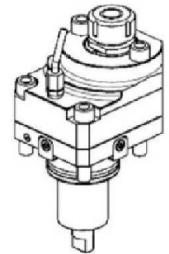
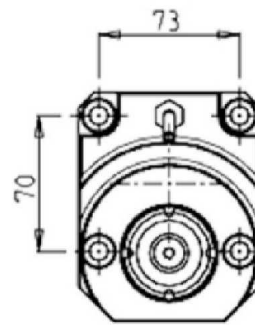
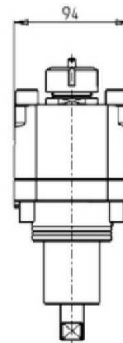
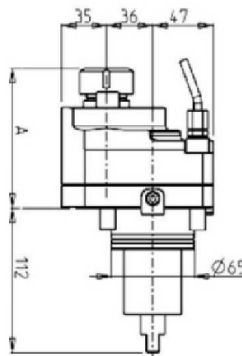
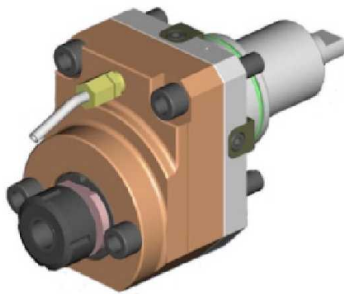
DRIVEN

RADIAL GEARED-DOWN 2:1 DRIVEN TOOL REDIRECTED IN Z BY 80mm



Part Number	Description	Spindle	I	RPM	Reversible	Ext. Cool
DWO 1580332	Radial Geared-Down 2:1 Redirected ERA32	ERA32	2:1	3000	X	X

RADIAL GEARED-UP 1:2 DRIVEN TOOL REDIRECTED IN Z BY 36mm



Part Number	Description	Spindle	I	RPM	Reversible	Ext. Cool	A
DWO 0140125	Radial Geared-Up 1:2 Redirected ER25	ER25	1:2	12000	X	X	108.56

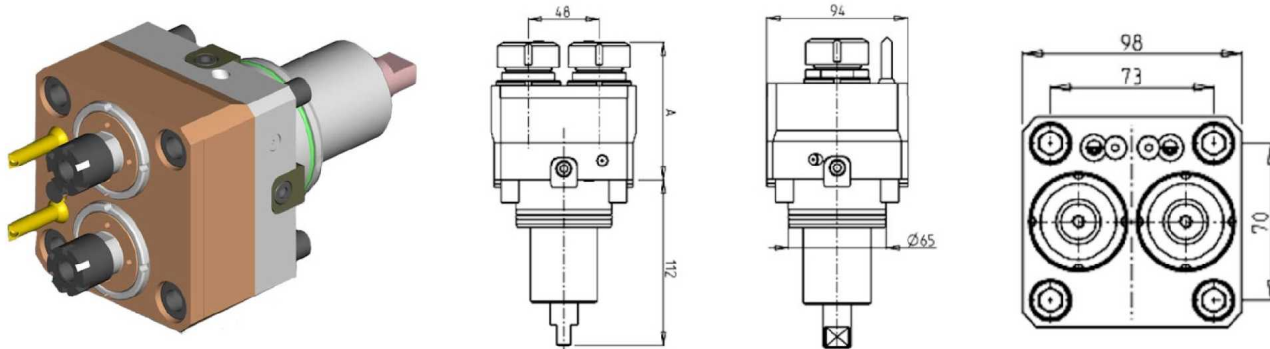
SKT200TTM/TTMS/TTSY - LM2000TTM/TTMS/TTSY - L2000/2100/2600/3000Y/SY - L300M/LM/MS/LMS - SKT250TTM/TTMS/TTSY - LM2500TTM/TTMS/TTSY - SKT250M/LM/MS - SKT300M/LM/MS - SKT-V3RM/LM - KM2600MTTS - LV450RM/LM - HD2600/3100 (BMT65)

DRIVEN

RADIAL SINGLE-SIDE TWIN HEAD DRIVEN TOOL IN Y-AXIS

These tools will only fit the following machine models:

SKT200TTM/TTMS/TTSY - LM2000TTM/TTMS/TTSY - SKT250TTM/TTMS/TTSY - LM2500TTM/TTMS/TTSY - SKT250M/LM/MS - SKT300M/LM/MS - L300M/LM/MS/LMS - L2000/2100/2600/3000Y/SY

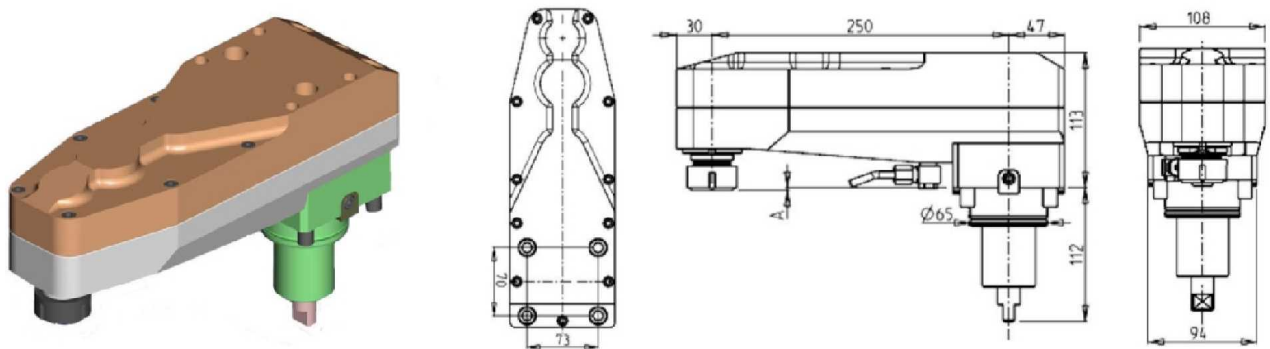


Part Number	Description	Spindle	I	RPM	Ext. Cool	A
DWO 0540216	Radial Y-Axis Double Outlet ER16	ER16	1:1	6000	X	84.5
DWO 0540225	Radial Y-Axis Double Outlet ER25	ER25	1:1	6000	X	85

RADIAL INVERTED DRIVEN TOOL RE-DIRECTED IN Z BY 250mm

These tools will only fit the following machine models:

SKT200TTM/TTMS/TTSY - LM2000TTM/TTMS/TTSY - L2000/2100/2600/3000Y/SY - L300M/LM/MS/LMS - SKT250TTM/TTMS/TTSY - LM2500TTM/TTMS/TTSY - SKT250M/LM/MS - SKT300M/LM/MS - LV450RM/LM - HD2600/3100



Part Number	Description	Spindle	I	RPM	Ext. Cool	A
0700025	Radial Inverted 250mm Interaxis ER25	ER25	1:2	12000	X	2.16
0700032	Radial Inverted 250mm Interaxis ER32	ER32	1:2	12000	X	14.66

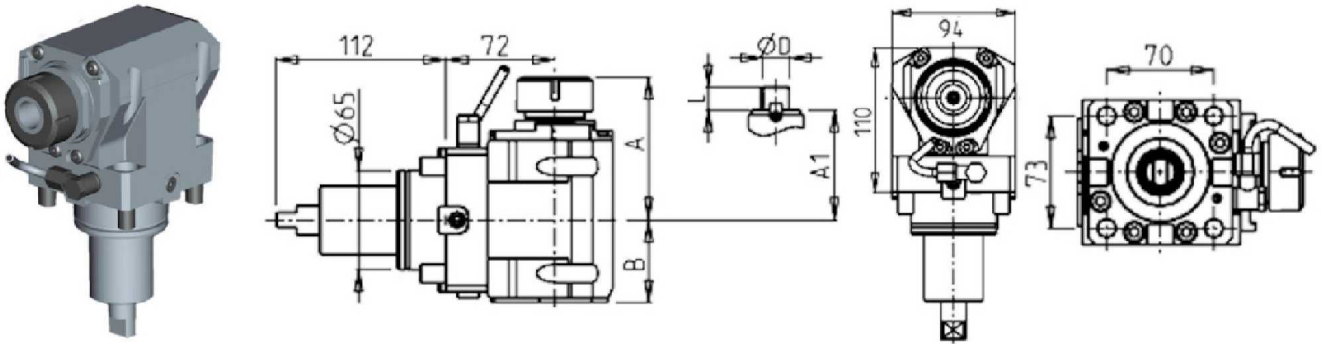
SKT200TTM/TTMS/TTSY - LM2000TTM/TTMS/TTSY - L2000/2100/2600/3000Y/SY - L300M/LM/MS/LMS - SKT250TTM/TTMS/TTSY - LM2500TTM/TTMS/TTSY - SKT250M/LM/MS - SKT300M/LM/MS - SKT-V3RM/LM - KM2600MTTS - LV450RM/LM - HD2600/3100 (BMT65)

DRIVEN

AXIAL DRIVEN TOOL H=72mm

These tools will NOT fit the following machine models:

KM2600MTTS



Part Number	Description	Spindle	Reversible	I	RPM	Cool Thru	Ext. Cool	A	A1	B	D	L
DWO 0700125	Axial ER25 H=72mm	ER25	X	1:1	6000		X	91.16		54		
DWO 0700225	Axial ER25 H=72mm Cool Thru*	ER25	X	1:1	6000	X	X	91.16		65		
DWO 0700325	Axial ERA25 H=72mm	ERA25	X	1:1	6000		X	65		54		
DWO 0700425	Axial ERA25 H=72mm Cool Thru*	ERA25	X	1:1	6000	X	X	65		65		
DWO 0700132	Axial ER32 H=72mm	ER32	X	1:1	6000		X	93.66		54		
DWO 0700232	Axial ER32 H=72mm Cool Thru*	ER32	X	1:1	6000	X	X	93.66		65		
DWO 0700140	Axial ER40 H=72mm	ER40	X	1:1	6000		X	98.16		54		
DWO 0700240	Axial ER40 H=72mm Cool Thru*	ER40	X	1:1	6000	X	X	98.16		65		
DWO 0700516	Axial Mill Head D=16mm, L=17mm	16x17	X	1:1	6000		X		67.5	54	16	17
DWO 0700522	Axial Mill Head D=22mm, L=19mm	22x19	X	1:1	6000		X		67.5	54	22	19
DWO 0700527	Axial Mill Head D=27mm, L=21mm	27x21	X	1:1	6000		X		70	54	27	21

* Coolant Thru tools are designed for 1000 psi.
They require 5 Micron Filtration and **CANNOT** be run dry.

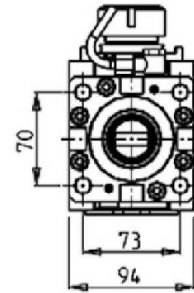
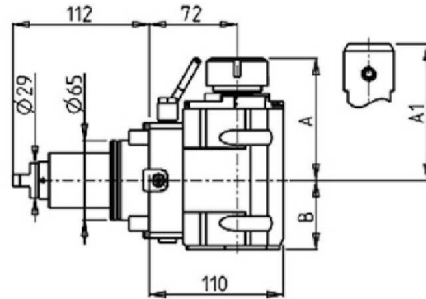
SKT200TTM/TTMS/TTSY - LM2000TTM/TTMS/TTSY - L2000/2100/2600/3000Y/SY - L300M/LM/MS/LMS - SKT250TTM/TTMS/TTSY - LM2500TTM/TTMS/TTSY - SKT250M/LM/MS - SKT300M/LM/MS - SKT-V3RM/LM - KM2600MTTS - LV450RM/LM - HD2600/3100 (BMT65)

DRIVEN

AXIAL REINFORCED DRIVEN TOOL H=72mm

These tools will NOT fit the following machine models:

KM2600MTTS



Part Number	Description	Spindle	I	RPM	Reversible	Cool Thru	Ext Cool	A	A1	B
DWO 2470132	Axial Reinforced ER32	ER32	1:1	6000	X		X	99.7	56.5	
DWO 2470232	Axial Reinforced ER32 Cool Thru*	ER32	1:1	6000	X	X	X	99.7	67.5	
DWO 2470725	Axial Reinforced Weldon 25	Weldon 25	1:1	6000	X		X	106	56.5	
DWO 2470825	Axial Reinforced Weldon 25 Cool Thru*	Weldon 25	1:1	6000	X	X	X	106	67.5	

* Coolant Thru tools are designed for 1000 psi.
They require 5 Micron Filtration and **CANNOT** be run dry.

SKT200TTM/TTMS/TTSY - LM2000TTM/TTMS/TTSY - L2000/2100/2600/3000Y/SY - L300M/LM/MS/LMS - SKT250TTM/TTMS/TTSY - LM2500TTM/TTMS/TTSY - SKT250M/LM/MS - SKT300M/LM/MS - SKT-V3RM/LM - KM2600MTTS - LV450RM/LM - HD2600/3100 (BMT65)

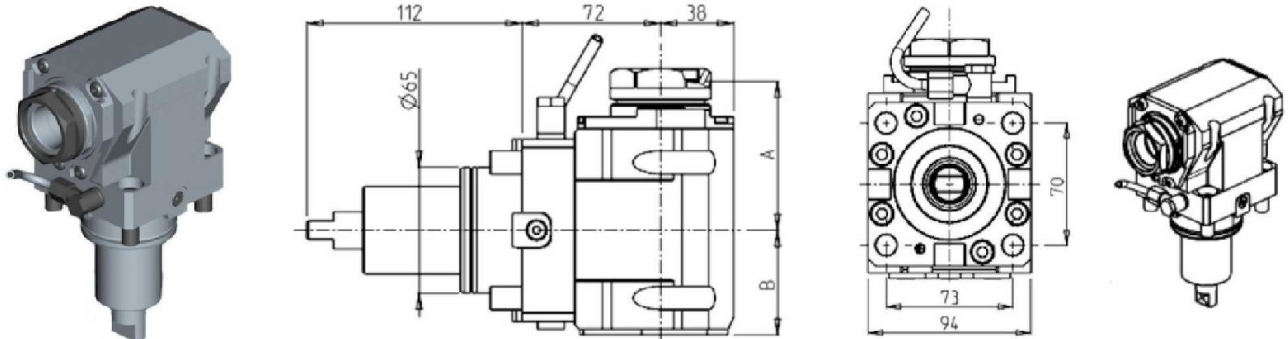
DRIVEN

QUICK CHANGE AXIAL MTSK DRIVEN TOOL H=72mm

These tools will NOT fit the following machine models:

KM2600MTTS

See Accessories for MTSK Quick Change Tool Holder Clamps



Part Number	Description	Spindle	Reversible	I	RPM	Cool Thru	Ext. Cool	A	B
DWO 1170140	Axial MTSK-40 H=72mm	MTSK-40	X	1:1	6000		X	77	54
DWO 1170240	Axial MTSK-40 H=72mm Cool Thru*	MTSK-40	X	1:1	6000	X	X	77	65
DWO 1170150	Axial MTSK-50 H=72mm	MTSK-50	X	1:1	6000		X	79	54
DWO 1170250	Axial MTSK-50 H=72mm Cool Thru*	MTSK-50	X	1:1	6000	X	X	79	65

* Coolant Thru tools are designed for 1000 psi.
They require 5 Micron Filtration and **CANNOT** be run dry.

SKT200TTM/TTMS/TTSY - LM2000TTM/TTMS/TTSY - L2000/2100/2600/3000Y/SY - L300M/LM/MS/LMS - SKT250TTM/TTMS/TTSY - LM2500TTM/TTMS/TTSY - SKT250M/LM/MS - SKT300M/LM/MS - SKT-V3RM/LM - KM2600MTTS - LV450RM/LM - HD2600/3100 (BMT65)

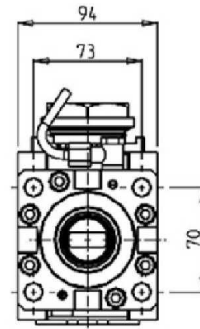
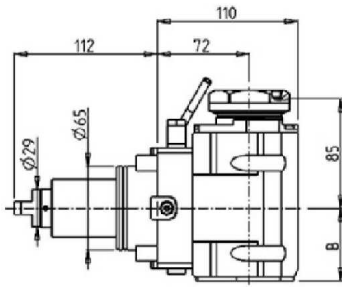
DRIVEN

QUICK CHANGE AXIAL MTSK REINFORCED DRIVEN TOOL H=72mm

These tools will NOT fit the following machine models:

KM2600MTTS

See Accessories for MTSK Quick Change Tool Holder Clamps



Part Number	Description	Spindle	I	RPM	Reversible	Cool Thru	Ext Cool	B
DWO 2180150	Axial MTSK-50 H=72mm	MTSK-50	1:1	6000	X		X	56.5
DWO 2180250	Axial MTSK-50 H=72mm Cool Thru*	MTSK-50	1:1	6000	X	X	X	67.5

* Coolant Thru tools are designed for 1000 psi. They require 5 Micron Filtration and **CANNOT** be run dry.

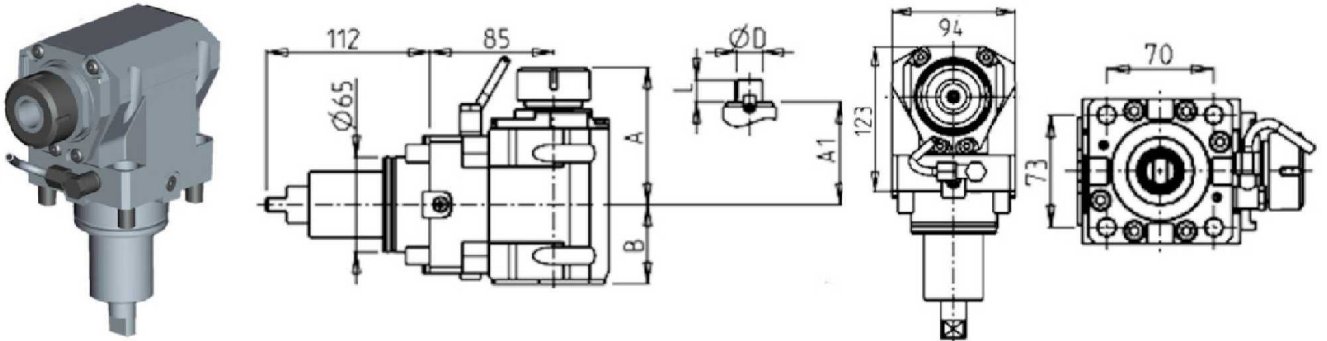
SKT200TTM/TTMS/TTSY - LM2000TTM/TTMS/TTSY - L2000/2100/2600/3000Y/SY - L300M/LM/MS/LMS - SKT250TTM/TTMS/TTSY - LM2500TTM/TTMS/TTSY - SKT250M/LM/MS - SKT300M/LM/MS - SKT-V3RM/LM - KM2600MTTS - LV450RM/LM - HD2600/3100 (BMT65)

DRIVEN

AXIAL DRIVEN TOOL H=85mm

These tools will NOT fit the following machine models:

KM2600MTTS



Part Number	Description	Spindle	Reversible	I	RPM	Cool Thru	Ext. Cool	A	A1	B	D	L
DWO 1130125	Axial ER25 H=85mm	ER25	X	1:1	6000		X	91.16		54		
DWO 1130225	Axial ER25 H=85mm Cool Thru*	ER25	X	1:1	6000	X	X	91.16		65		
DWO 1130325	Axial ERA25 H=85mm	ERA25	X	1:1	6000		X	65		54		
DWO 1130425	Axial ERA25 H=85mm Cool Thru*	ERA25	X	1:1	6000	X	X	65		65		
DWO 1130132	Axial ER32 H=85mm	ER32	X	1:1	6000		X	93.66		54		
DWO 1130232	Axial ER32 H=85mm Cool Thru*	ER32	X	1:1	6000	X	X	93.66		65		
DWO 1130140	Axial ER40 H=85mm	ER40	X	1:1	6000		X	98.16		54		
DWO 1130240	Axial ER40 H=85mm Cool Thru*	ER40	X	1:1	6000	X	X	98.16		65		
DWO 1130516	Axial Mill Head D=16mm, L=17mm	16x17	X	1:1	6000		X		67.5	54	16	17
DWO 1130522	Axial Mill Head D=22mm, L=19mm	22x19	X	1:1	6000		X		67.5	54	22	19
DWO 1130527	Axial Mill Head D=27mm, L=21mm	27x21	X	1:1	6000		X		70	54	27	21

* Coolant Thru tools are designed for 1000 psi. They require 5 Micron Filtration and **CANNOT** be run dry.

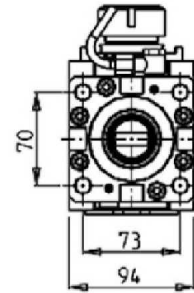
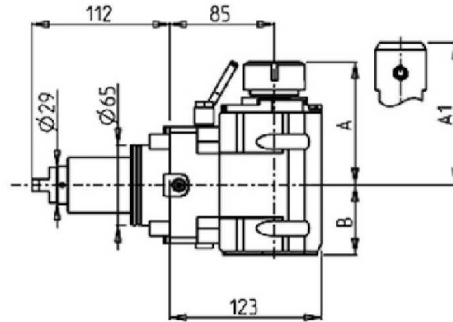
SKT200TTM/TTMS/TTSY - LM2000TTM/TTMS/TTSY - L2000/2100/2600/3000Y/SY - L300M/LM/MS/LMS - SKT250TTM/TTMS/TTSY - LM2500TTM/TTMS/TTSY - SKT250M/LM/MS - SKT300M/LM/MS - SKT-V3RM/LM - KM2600MTTS - LV450RM/LM - HD2600/3100 (BMT65)

DRIVEN

AXIAL REINFORCED DRIVEN TOOL H=85mm

These tools will NOT fit the following machine models:

KM2600MTTS



Part Number	Description	Spindle	I	RPM	Reversible	Cool Thru	Ext Cool	A	A1	B
DWO 2480132	Axial Reinforced ER32	ER32	1:1	6000	X		X	99.7		56.5
DWO 2480232	Axial Reinforced ER32 Cool Thru*	ER32	1:1	6000	X	X	X	99.7		67.5
DWO 2480725	Axial Reinforced Weldon 25	Weldon 25	1:1	6000	X		X		106	56.5
DWO 2480825	Axial Reinforced Weldon 25 Cool Thru*	Weldon 25	1:1	6000	X	X	X		106	67.5

* Coolant Thru tools are designed for 1000 psi. They require 5 Micron Filtration and **CANNOT** be run dry.

SKT200TTM/TTMS/TTSY - LM2000TTM/TTMS/TTSY - L2000/2100/2600/3000Y/SY - L300M/LM/MS/LMS - SKT250TTM/TTMS/TTSY - LM2500TTM/TTMS/TTSY - SKT250M/LM/MS - SKT300M/LM/MS - SKT-V3RM/LM - KM2600MTTS - LV450RM/LM - HD2600/3100 (BMT65)

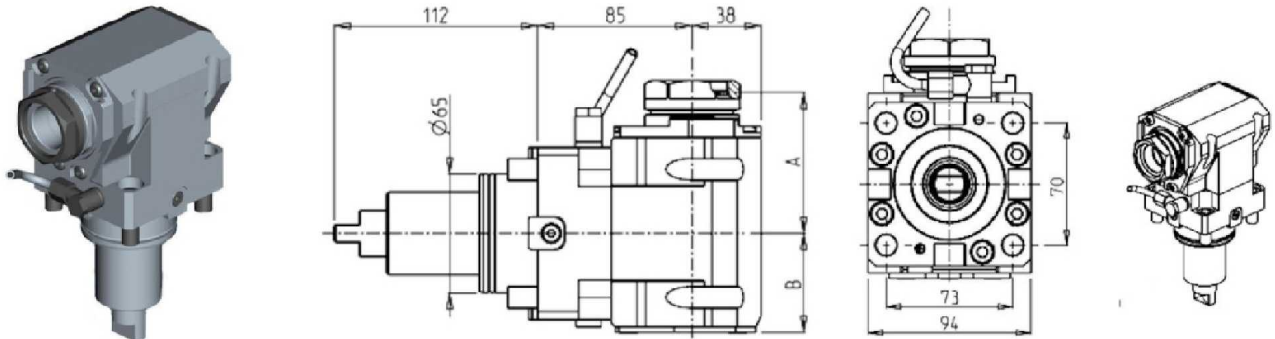
DRIVEN

QUICK CHANGE AXIAL MTSK DRIVEN TOOL H=85mm

These tools will NOT fit the following machine models:

KM2600MTTS

See Accessories for MTSK Quick Change Tool Holder Clamps



Part Number	Description	Spindle	Reversible	I	RPM	Cool Thru	Ext. Cool	A	B
DWO 1180140	Axial MTSK-40 H=85mm	MTSK-40	X	1:1	6000		X	77	54
DWO 1180240	Axial MTSK-40 H=85mm Cool Thru*	MTSK-40	X	1:1	6000	X	X	77	65
DWO 1180150	Axial MTSK-50 H=85mm	MTSK-50	X	1:1	6000		X	79	54
DWO 1180250	Axial MTSK-50 H=85mm Cool Thru*	MTSK-50	X	1:1	6000	X	X	79	65

* Coolant Thru tools are designed for 1000 psi. They require 5 Micron Filtration and **CANNOT** be run dry.

SKT200TTM/TTMS/TTSY - LM2000TTM/TTMS/TTSY - L2000/2100/2600/3000Y/SY - L300M/LM/MS/LMS - SKT250TTM/TTMS/TTSY - LM2500TTM/TTMS/TTSY - SKT250M/LM/MS - SKT300M/LM/MS - SKT-V3RM/LM - KM2600MTTS - LV450RM/LM - HD2600/3100 (BMT65)

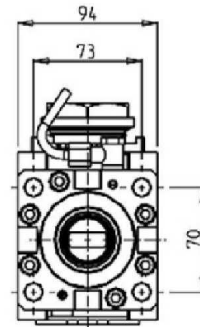
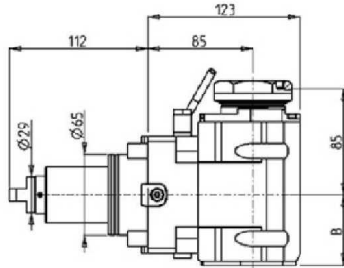
DRIVEN

QUICK CHANGE AXIAL MTSK REINFORCED DRIVEN TOOL H=85mm

These tools will NOT fit the following machine models:

KM2600MTTS

See Accessories for MTSK Quick Change Tool Holder Clamps



Part Number	Description	Spindle	I	RPM	Reversible	Cool Thru	Ext Cool	B
DWO 2190150	Axial MTSK-50 H=85mm	MTSK-50	1:1	6000	X		X	56.5
DWO 2190250	Axial MTSK-50 H=85mm Cool Thru*	MTSK-50	1:1	6000	X	X	X	67.5

* Coolant Thru tools are designed for 1000 psi. They require 5 Micron Filtration and **CANNOT** be run dry.

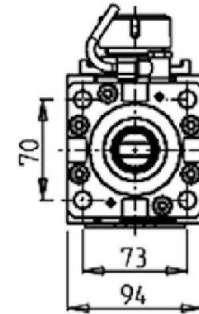
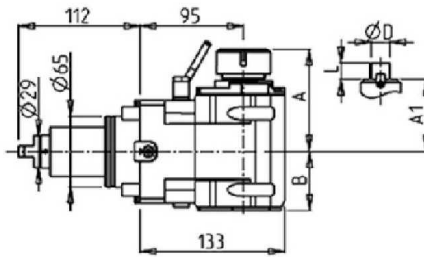
SKT200TTM/TTMS/TTSY - LM2000TTM/TTMS/TTSY - L2000/2100/2600/3000Y/SY - L300M/LM/MS/LMS - SKT250TTM/TTMS/TTSY - LM2500TTM/TTMS/TTSY - SKT250M/LM/MS - SKT300M/LM/MS - SKT-V3RM/LM - KM2600MTTS - LV450RM/LM - HD2600/3100 (BMT65)

DRIVEN

AXIAL DRIVEN TOOL H=95mm

These tools will NOT fit the following machine models:

KM2600MTTS



Part Number	Description	Spindle	I	RPM	Reversible	Cool Thru	Ext Cool	A	A1	B	D	L
DWO 2510325	Axial ERA25 H=95mm	ERA25	1:1	6000	X		X	65	54			
DWO 2510425	Axial ERA25 H=95mm Cool Thru*	ERA25	1:1	6000	X	X	X	65	65			
DWO 2510125	Axial ER25 H=95mm	ER25	1:1	6000	X		X	91.2	54			
DWO 2510225	Axial ER25 H=95mm Cool Thru*	ER25	1:1	6000	X	X	X	91.2	65			
DWO 2510132	Axial ER32 H=95mm	ER32	1:1	6000	X		X	93.7	54			
DWO 2510232	Axial ER32 H=95mm Cool Thru*	ER32	1:1	6000	X	X	X	93.7	65			
DWO 2510140	Axial ER40 H=95mm	ER40	1:1	6000	X		X	98.2	54			
DWO 2510240	Axial ER40 H=95mm Cool Thru*	ER40	1:1	6000	X	X	X	98.2	65			
DWO 2510516	Axial 16x17mm H=95mm	16x17	1:1	6000	X		X	67.5	54	16	17	
DWO 2510522	Axial 22x19mm H=95mm	22x19	1:1	6000	X		X	67.5	54	22	19	
DWO 2510527	Axial 27x21mm H=95mm	27x21	1:1	6000	X		X	70	54	27	21	

* Coolant Thru tools are designed for 1000 psi. They require 5 Micron Filtration and **CANNOT** be run dry.

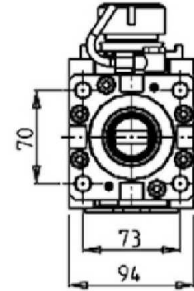
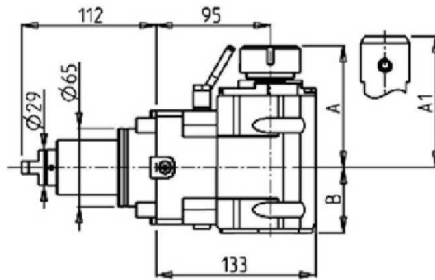
SKT200TTM/TTMS/TTSY - LM2000TTM/TTMS/TTSY - L2000/2100/2600/3000Y/SY - L300M/LM/MS/LMS - SKT250TTM/TTMS/TTSY - LM2500TTM/TTMS/TTSY - SKT250M/LM/MS - SKT300M/LM/MS - SKT-V3RM/LM - KM2600MTTS - LV450RM/LM - HD2600/3100 (BMT65)

DRIVEN

AXIAL REINFORCED DRIVEN TOOL H=95mm

These tools will NOT fit the following machine models:

KM2600MTTS



Part Number	Description	Spindle	I	RPM	Reversible	Cool Thru	Ext Cool	A	A1	B
DWO 2500132	Axial Reinforced ER32	ER32	1:1	6000	X		X	99.7		56.5
DWO 2500232	Axial Reinforced ER32 Cool Thru*	ER32	1:1	6000	X	X	X	99.7		67.5
DWO 2500725	Axial Reinforced Weldon 25	Weldon 25	1:1	6000	X		X		106	56.5
DWO 2500825	Axial Reinforced Weldon 25 Cool Thru*	Weldon 25	1:1	6000	X	X	X		106	67.5

* Coolant Thru tools are designed for 1000 psi.
They require 5 Micron Filtration and **CANNOT** be run dry.

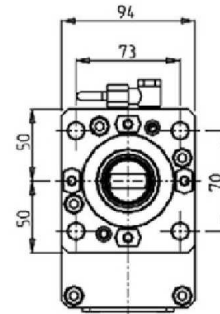
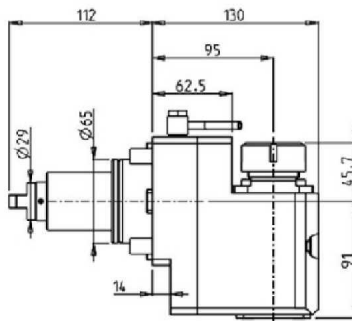
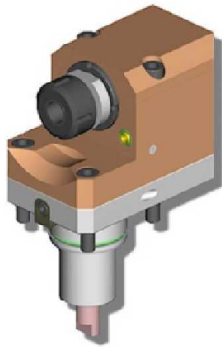
SKT200TTM/TTMS/TTSY - LM2000TTM/TTMS/TTSY - L2000/2100/2600/3000Y/SY - L300M/LM/MS/LMS -
 SKT250TTM/TTMS/TTSY - LM2500TTM/TTMS/TTSY - SKT250M/LM/MS - SKT300M/LM/MS - SKT-V3RM/LM
 - KM2600MTTS - LV450RM/LM - HD2600/3100 (BMT65)

DRIVEN

AXIAL REAR-SET DRIVEN TOOL H=95mm

These tools will only fit the following machine models:

**SKT200TTM/TTMS/TTSY - LM2000TTM/TTMS/TTSY - L2000/2100/2600/3000Y/SY - L300M/LM/MS/LMS -
 SKT250TTM/TTMS/TTSY - LM2500TTM/TTMS/TTSY - SKT250M/LM/MS - SKT300M/LM/MS - HD2600/3100**



Part Number	Description	Spindle	I	RPM	Reversible	Ext Cool
DWO 2570132	Axial Rear-Set ER32	ER32	1:1	6000	X	X

SKT200TTM/TTMS/TTSY - LM2000TTM/TTMS/TTSY - L2000/2100/2600/3000Y/SY - L300M/LM/MS/LMS - SKT250TTM/TTMS/TTSY - LM2500TTM/TTMS/TTSY - SKT250M/LM/MS - SKT300M/LM/MS - SKT-V3RM/LM - KM2600MTTS - LV450RM/LM - HD2600/3100 (BMT65)

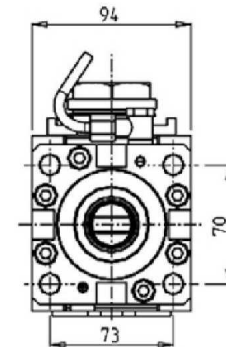
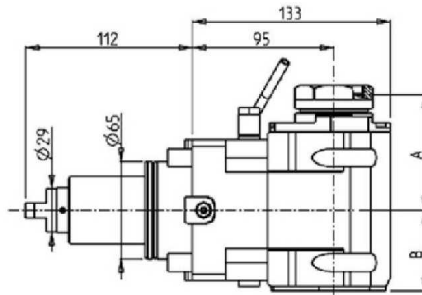
DRIVEN

QUICK CHANGE AXIAL MTSK DRIVEN TOOL H=95mm

These tools will NOT fit the following machine models:

KM2600MTTS

See Accessories for MTSK Quick Change Tool Holder Clamps



Part Number	Description	Spindle	I	RPM	Reversible	Cool Thru	Ext Cool	A	B
DWO 2530140	Axial MTSK-40 H=95mm	MTSK-40	1:1	6000	X		X	77	54
DWO 2530240	Axial MTSK-40 H=95mm Cool Thru*	MTSK-40	1:1	6000	X	X	X	77	65
DWO 2530150	Axial MTSK-50 H=95mm	MTSK-50	1:1	6000	X		X	79	54
DWO 2530250	Axial MTSK-50 H=95mm Cool Thru*	MTSK-50	1:1	6000	X	X	X	79	65

* Coolant Thru tools are designed for 1000 psi. They require 5 Micron Filtration and **CANNOT** be run dry.

SKT200TTM/TTMS/TTSY - LM2000TTM/TTMS/TTSY - L2000/2100/2600/3000Y/SY - L300M/LM/MS/LMS - SKT250TTM/TTMS/TTSY - LM2500TTM/TTMS/TTSY - SKT250M/LM/MS - SKT300M/LM/MS - SKT-V3RM/LM - KM2600MTTS - LV450RM/LM - HD2600/3100 (BMT65)

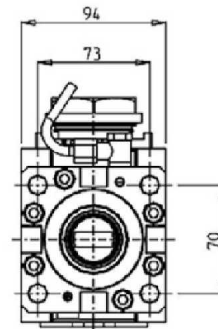
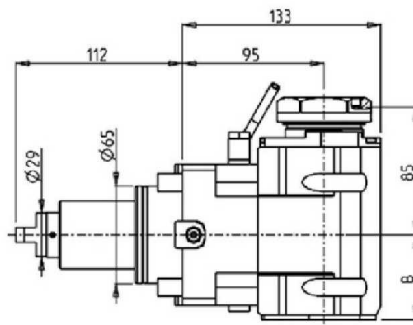
DRIVEN

QUICK CHANGE AXIAL MTSK REINFORCED DRIVEN TOOL H=95mm

These tools will NOT fit the following machine models:

KM2600MTTS

See Accessories for MTSK Quick Change Tool Holder Clamps



Part Number	Description	Spindle	I	RPM	Reversible	Cool Thru	Ext Cool	B
DWO 2540150	Axial Reinforced MTSK-50	MTSK-50	1:1	6000	X		X	56.5
DWO 2540250	Axial Reinforced MTSK-50 Cool Thru*	MTSK-50	1:1	6000	X	X	X	67.5

* Coolant Thru tools are designed for 1000 psi.
They require 5 Micron Filtration and **CANNOT** be run dry.

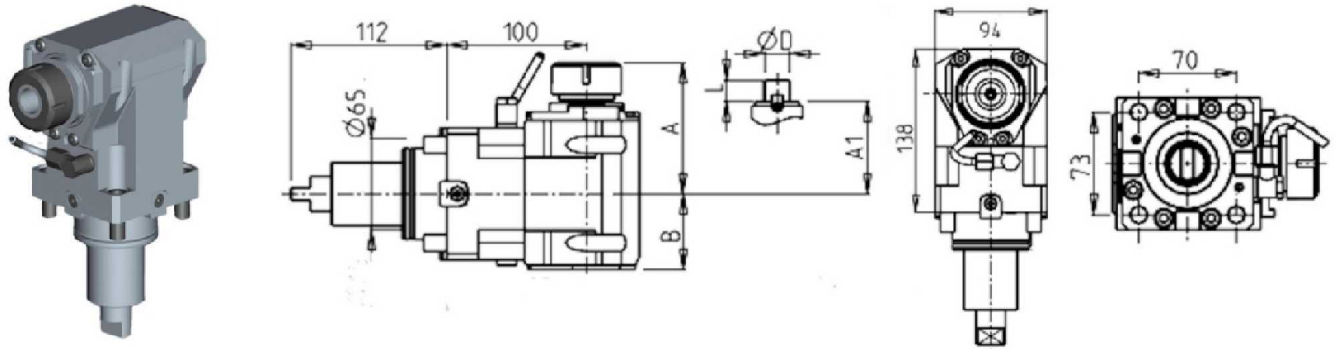
SKT200TTM/TTMS/TTSY - LM2000TTM/TTMS/TTSY - L2000/2100/2600/3000Y/SY - L300M/LM/MS/LMS - SKT250TTM/TTMS/TTSY - LM2500TTM/TTMS/TTSY - SKT250M/LM/MS - SKT300M/LM/MS - SKT-V3RM/LM - KM2600MTTS - LV450RM/LM - HD2600/3100 (BMT65)

DRIVEN

AXIAL DRIVEN TOOL H=100mm

These tools will NOT fit the following machine models:

KM2600MTTS



Part Number	Description	Spindle	I	RPM	Reversible	Cool Thru	Ext Cool	A	A1	B	D	L
DWO 1140125	Axial ER25	ER25	1:1	6000	X		X	91.16		54		
DWO 1140225	Axial ER25 Cool Thru*	ER25	1:1	6000	X	X	X	91.16		65		
DWO 1140325	Axial ERA25	ERA25	1:1	6000	X		X	65		54		
DWO 1140425	Axial ERA25 Cool Thru*	ERA25	1:1	6000	X	X	X	65		65		
DWO 1140132	Axial ER32	ER32	1:1	6000	X		X	93.66		54		
DWO 1140232	Axial ER32 Cool Thru*	ER32	1:1	6000	X	X	X	93.66		65		
DWO 1140140	Axial ER40	ER40	1:1	6000	X		X	98.16		54		
DWO 1140240	Axial ER40 Cool Thru*	ER40	1:1	6000	X	X	X	98.16		65		
DWO 1140516	Axial Mill Head \varnothing 16x17mm	16x17	1:1	6000	X		X		67.5	54	16	17
DWO 1140522	Axial Mill Head \varnothing 22x19mm	22x19	1:1	6000	X		X		67.5	54	22	19
DWO 1140527	Axial Mill Head \varnothing 27x21mm	27x21	1:1	6000	X		X		70	54	27	21

* Coolant Thru tools are designed for 1000 psi. They require 5 Micron Filtration and **CANNOT** be run dry.

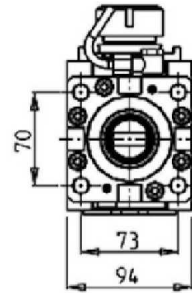
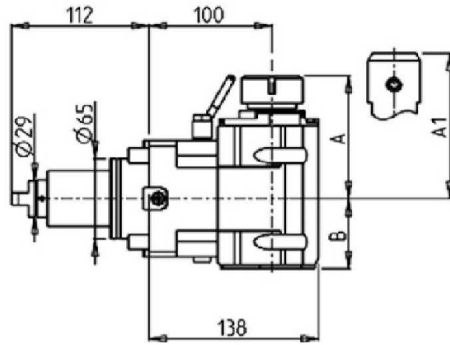
SKT200TTM/TTMS/TTSY - LM2000TTM/TTMS/TTSY - L2000/2100/2600/3000Y/SY - L300M/LM/MS/LMS - SKT250TTM/TTMS/TTSY - LM2500TTM/TTMS/TTSY - SKT250M/LM/MS - SKT300M/LM/MS - SKT-V3RM/LM - KM2600MTTS - LV450RM/LM - HD2600/3100 (BMT65)

DRIVEN

AXIAL REINFORCED DRIVEN TOOL H=100mm

These tools will NOT fit the following machine models:

KM2600MTTS



Part Number	Description	Spindle	I	RPM	Reversible	Cool Thru	Ext Cool	A	A1	B
DWO 2490132	Axial Reinforced ER32	ER32	1:1	6000	X		X	99.7	56.5	
DWO 2490232	Axial Reinforced ER32 Cool Thru*	ER32	1:1	6000	X	X	X	99.7	67.5	
DWO 2490725	Axial Reinforced Weldon 25	Weldon 25	1:1	6000	X		X	106	56.5	
DWO 2490825	Axial Reinforced Weldon 25 Cool Thru*	Weldon 25	1:1	6000	X	X	X	106	67.5	

* Coolant Thru tools are designed for 1000 psi. They require 5 Micron Filtration and **CANNOT** be run dry.

SKT200TTM/TTMS/TTSY - LM2000TTM/TTMS/TTSY - L2000/2100/2600/3000Y/SY - L300M/LM/MS/LMS - SKT250TTM/TTMS/TTSY - LM2500TTM/TTMS/TTSY - SKT250M/LM/MS - SKT300M/LM/MS - SKT-V3RM/LM - KM2600MTTS - LV450RM/LM - HD2600/3100 (BMT65)

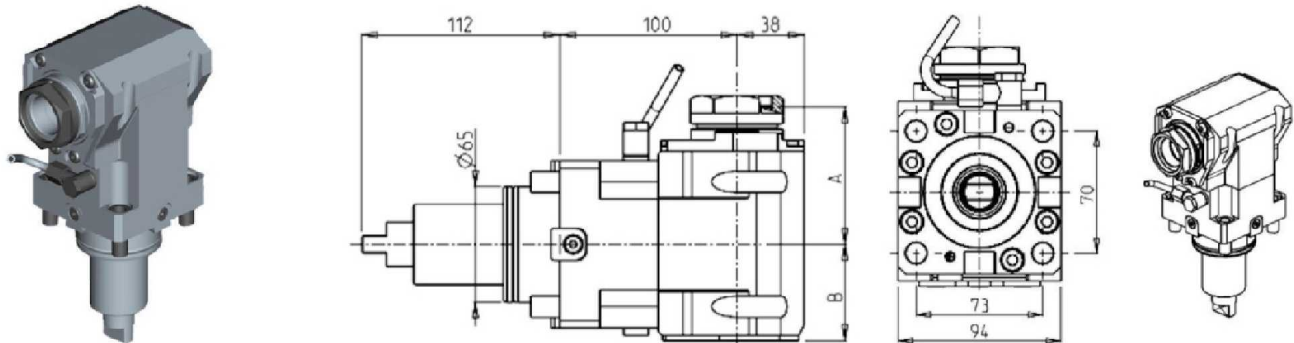
DRIVEN

QUICK CHANGE AXIAL MTSK DRIVEN TOOL H=100mm

These tools will NOT fit the following machine models:

KM2600MTTS

See Accessories for MTSK Quick Change Tool Holder Clamps



Part Number	Description	Spindle	Reversible	I	RPM	Cool Thru	Ext. Cool	A	B
DWO 1190140	Axial MTSK-40 H=100mm	MTSK-40	X	1:1	6000		X	77	54
DWO 1190240	Axial MTSK-40 H=100mm Cool Thru*	MTSK-40	X	1:1	6000	X	X	77	65
DWO 1190150	Axial MTSK-50 H=100mm	MTSK-50	X	1:1	6000		X	79	54
DWO 1190250	Axial MTSK-50 H=100mm Cool Thru*	MTSK-50	X	1:1	6000	X	X	79	65

* Coolant Thru tools are designed for 1000 psi.
They require 5 Micron Filtration and **CANNOT** be run dry.

SKT200TTM/TTMS/TTSY - LM2000TTM/TTMS/TTSY - L2000/2100/2600/3000Y/SY - L300M/LM/MS/LMS - SKT250TTM/TTMS/TTSY - LM2500TTM/TTMS/TTSY - SKT250M/LM/MS - SKT300M/LM/MS - SKT-V3RM/LM - KM2600MTTS - LV450RM/LM - HD2600/3100 (BMT65)

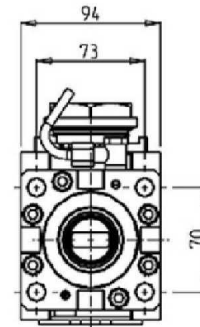
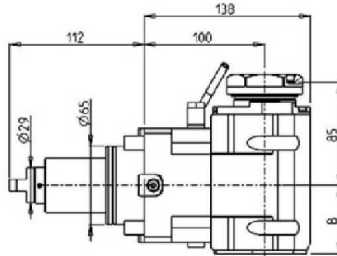
DRIVEN

QUICK CHANGE AXIAL MTSK REINFORCED DRIVEN TOOL H=100mm

These tools will NOT fit the following machine models:

KM2600MTTS

See Accessories for MTSK Quick Change Tool Holder Clamps



Part Number	Description	Spindle	I	RPM	Reversible	Cool Thru	Ext Cool	B
DWO 2200150	Axial MTSK-50 H=100mm	MTSK-50	1:1	6000	X		X	56.5
DWO 2200250	Axial MTSK-50 H=100mm Cool Thru*	MTSK-50	1:1	6000	X	X	X	67.5

* Coolant Thru tools are designed for 1000 psi. They require 5 Micron Filtration and **CANNOT** be run dry.

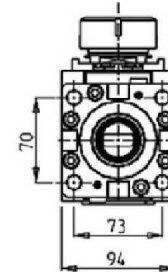
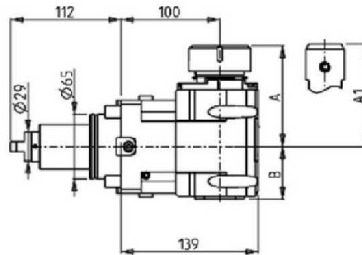
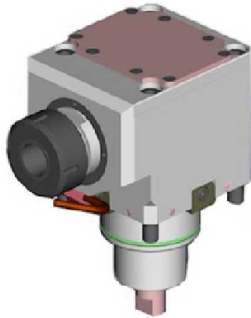
SKT200TTM/TTMS/TTSY - LM2000TTM/TTMS/TTSY - L2000/2100/2600/3000Y/SY - L300M/LM/MS/LMS - SKT250TTM/TTMS/TTSY - LM2500TTM/TTMS/TTSY - SKT250M/LM/MS - SKT300M/LM/MS - SKT-V3RM/LM - KM2600MTTS - LV450RM/LM - HD2600/3100 (BMT65)

DRIVEN

AXIAL GEARED-DOWN 2:1 DRIVEN TOOL H=100mm

These tools will NOT fit the following machine models:

KM2600MTTS



Part Number	Description	Spindle	I	RPM	Reversible	Cool Thru	Ext Cool	A	A1	B
DWO 2360132	Axial Geared-Down 2:1 ER32	ER32	2:1	3000	X		X	98.7		53
DWO 2360232	Axial Geared-Down 2:1 ER32 Cool Thru	ER32	2:1	3000	X	X	X	98.7		66.5
DWO 2360140	Axial Geared-Down 2:1 ER40	ER40	2:1	3000	X		X	101.7		53
DWO 2360240	Axial Geared-Down 2:1 ER40 Cool Thru	ER40	2:1	3000	X	X	X	101.7		66.5
DWO 2360725	Axial Geared-Down 2:1 WELDON 25	WELDON25	2:1	3000	X		X		106	53
DWO 2360825	Axial Geared-Down 2:1 WELDON 25 Cool Thru	WELDON25	2:1	3000	X	X	X		106	66.5

* Coolant Thru tools are designed for 1000 psi.
They require 5 Micron Filtration and **CANNOT** be run dry.

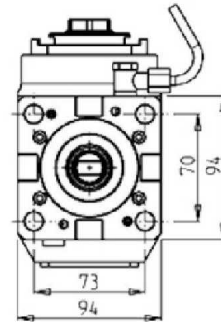
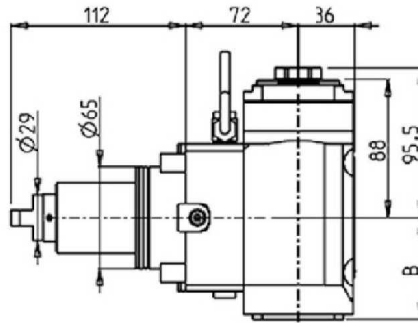
SKT200TTM/TTMS/TTSY - LM2000TTM/TTMS/TTSY - L2000/2100/2600/3000Y/SY - L300M/LM/MS/LMS - SKT250TTM/TTMS/TTSY - LM2500TTM/TTMS/TTSY - SKT250M/LM/MS - SKT300M/LM/MS - SKT-V3RM/LM - KM2600MTTS - LV450RM/LM - HD2600/3100 (BMT65)

DRIVEN

AXIAL GEARED-UP 1:2 DRIVEN TOOL H=72mm

These tools will NOT fit the following machine models:

KM2600MTTS



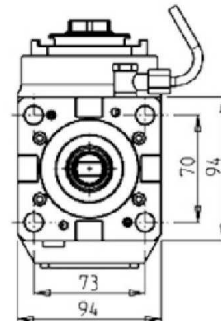
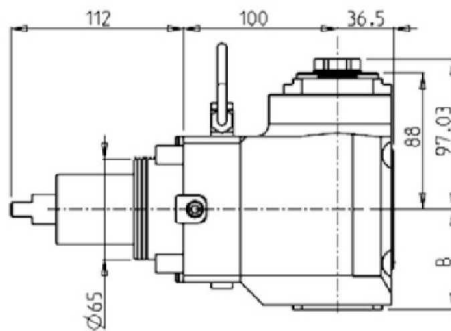
Part Number	Description	Spindle	I	RPM	Reversible	Cool Thru	Ext Cool	B
DWO 3780125	Axial Geared-Up 1:2 ERA25	ERA25	1:2	12000	X		X	64.7
DWO 3780225	Axial Geared-Up 1:2 ERA25 Cool Thru	ERA25	1:2	12000	X	X	X	73.2

* Coolant Thru tools are designed for 1000 psi. They require 5 Micron Filtration and **CANNOT** be run dry.

AXIAL GEARED-UP 1:2 DRIVEN TOOL H=100mm

These tools will NOT fit the following machine models:

KM2600MTTS



Part Number	Description	Spindle	I	RPM	Reversible	Cool Thru	Ext. Cool	B
DWO 0710125	Axial Geared-Up ERA25 1:2	ERA25	1:2	12000	X		X	64.7
DWO 0710225	Axial Geared-Up ERA25 1:2 Cool Thru*	ERA25	1:2	12000	X	X	X	73.2

* Coolant Thru tools are designed for 1000 psi. They require 5 Micron Filtration and **CANNOT** be run dry.

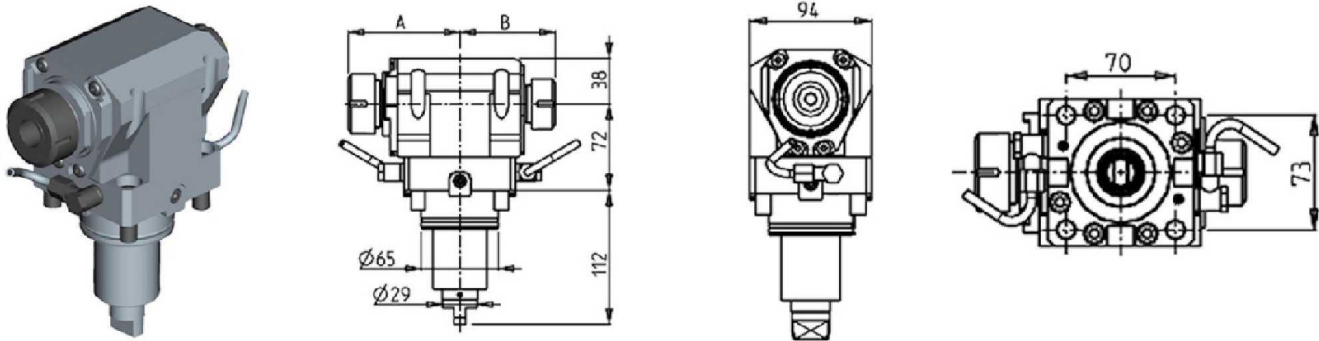
SKT200TTM/TTMS/TTSY - LM2000TTM/TTMS/TTSY - L2000/2100/2600/3000Y/SY - L300M/LM/MS/LMS - SKT250TTM/TTMS/TTSY - LM2500TTM/TTMS/TTSY - SKT250M/LM/MS - SKT300M/LM/MS - SKT-V3RM/LM - KM2600MTTS - LV450RM/LM - HD2600/3100 (BMT65)

DRIVEN

AXIAL OPPOSITE FACE DRIVEN TOOL H=72mm

These tools will only fit the following machine models:

SKT250M/LM/MS - SKT300M/LM/MS - L300M/LM/MS/LMS - L2000/2100/2600/3000Y/SY - HD2600/3100 (BMT65)

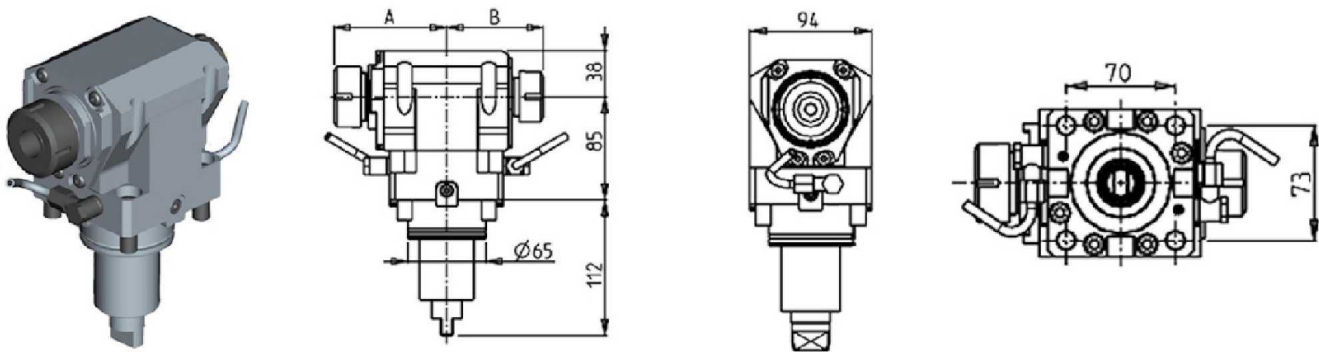


Part Number	Description	Spindle	I	RPM	Reversible	Ext. Cool	A	B
DWO 0720132	Axial Opposite Face ER32+ER25 H=72mm	ER32+ER25	1:1	6000	X	X	93.66	80.16
DWO 0722520	Axial Opposite Face ERA25+ERA20 H=72mm	ERA25+ERA20	1:1	6000	X	X	65	55.5

AXIAL OPPOSITE FACE DRIVEN TOOL H=85mm

These tools will only fit the following machine models:

SKT200TTM/TTMS/TTSY - LM2000TTM/TTMS/TTSY - SKT250TTM/TTMS/TTSY - LM2500TTM/TTMS/TTSY - SKT250M/LM/MS - SKT300M/LM/MS - L300M/LM/MS/LMS - L2000/2600/3000Y/SY - HD2600/3100 (BMT65)



Part Number	Description	Spindle	I	RPM	Reversible	Ext. Cool	A	B
DWO 1150132	Axial Opposite Face ER32+ER25 H=85mm	ER32+ER25	1:1	6000	X	X	93.66	80.16
DWO 1152520	Axial Opposite Face ERA25+ERA20 H=85mm	ERA25+ERA20	1:1	6000	X	X	65	55.5

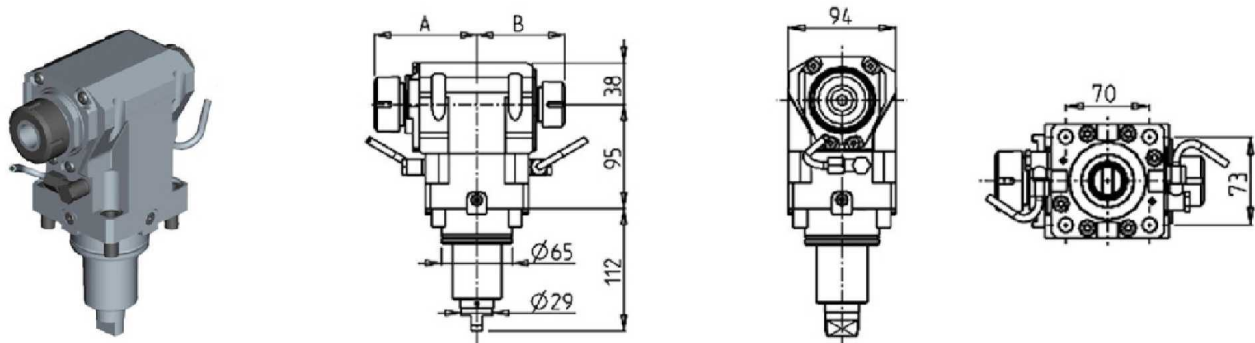
SKT200TTM/TTMS/TTSY - LM2000TTM/TTMS/TTSY - L2000/2100/2600/3000Y/SY - L300M/LM/MS/LMS - SKT250TTM/TTMS/TTSY - LM2500TTM/TTMS/TTSY - SKT250M/LM/MS - SKT300M/LM/MS - SKT-V3RM/LM - KM2600MTTS - LV450RM/LM - HD2600/3100 (BMT65)

DRIVEN

AXIAL OPPOSITE FACE DRIVEN TOOL H=95mm

These tools will only fit the following machine models:

SKT200TTM/TTMS/TTSY - LM2000TTM/TTMS/TTSY - SKT250TTM/TTMS/TTSY - LM2500TTM/TTMS/TTSY - SKT250M/LM/MS - SKT300M/LM/MS - L300M/LM/MS/LMS - L2000/2600/3000Y/SY - HD2600/3100 (BMT65)

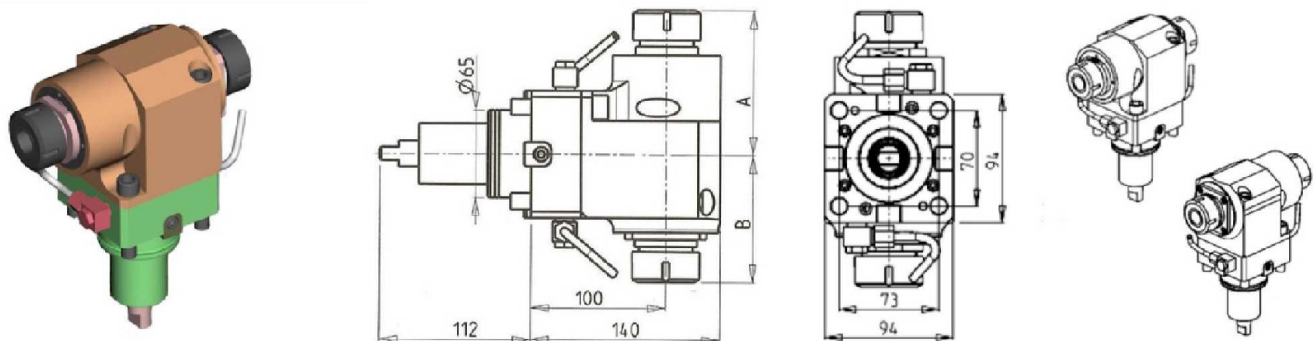


Part Number	Description	Spindle	I	RPM	Reversible	Ext Cool	A	B
DWO 2520132	Axial Opposite Face ER32+ER25	ER32+ER25	1:1	6000	X	X	93.7	80.2
DWO 2522520	Axial Opposite Face ERA25+ERA20	ERA25+ERA20	1:1	6000	X	X	65	55.5

AXIAL OPPOSITE FACE DRIVEN TOOL H=100mm

These tools will only fit the following machine models:

SKT200TTM/TTMS/TTSY - LM2000TTM/TTMS/TTSY - SKT250TTM/TTMS/TTSY - LM2500TTM/TTMS/TTSY - SKT250M/LM/MS - SKT300M/LM/MS - L300M/LM/MS/LMS - L2000/2600/3000Y/SY - HD2600/3100 (BMT65)



Part Number	Description	Spindle	I	RPM	Reversible	Ext. Cool	A	B
DWO 0070232	Axial Double Outlet ER32+ER32	ER32+ER32	1:1	6000	X	X	107.66	94.26
DWO 0073225	Axial Double Outlet ERA25+ERA32	ERA25+ERA32	1:1	6000	X	X	106.03	81.13

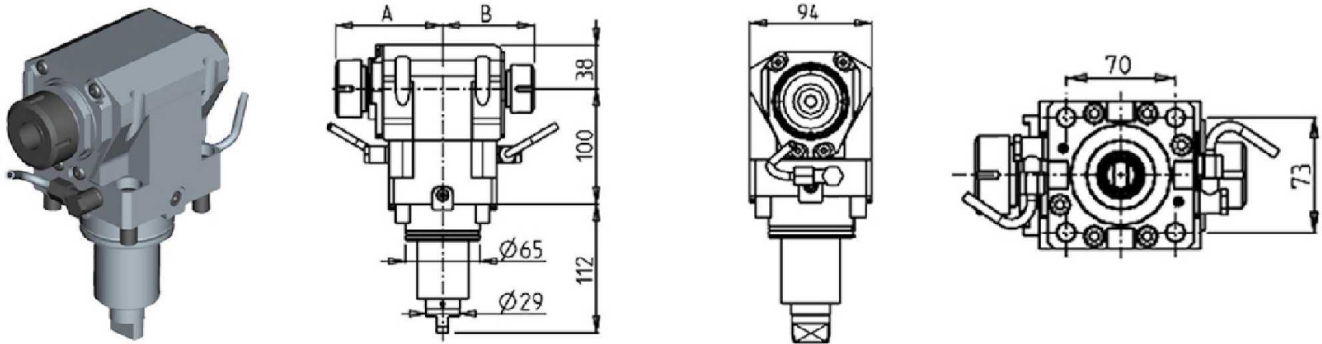
SKT200TTM/TTMS/TTSY - LM2000TTM/TTMS/TTSY - L2000/2100/2600/3000Y/SY - L300M/LM/MS/LMS - SKT250TTM/TTMS/TTSY - LM2500TTM/TTMS/TTSY - SKT250M/LM/MS - SKT300M/LM/MS - SKT-V3RM/LM - KM2600MTTS - LV450RM/LM - HD2600/3100 (BMT65)

DRIVEN

AXIAL OPPOSITE FACE DRIVEN TOOL H=100mm

These tools will only fit the following machine models:

SKT200TTM/TTMS/TTSY - LM2000TTM/TTMS/TTSY - SKT250TTM/TTMS/TTSY - LM2500TTM/TTMS/TTSY - SKT250M/LM/MS - SKT300M/LM/MS - L300M/LM/MS/LMS - L2000/2600/3000Y/SY - HD2600/3100 (BMT65)



Part Number	Description	Spindle	I	RPM	Reversible	Ext. Cool	A	B
DWO 1160132	Axial Opposite Face ER32+ER25 H=100mm	ER32+ER25	1:1	6000	X	X	93.66	80.16
DWO 1162520	Axial Opposite Face ERA25+ERA20 H=100mm	ERA25+ERA20	1:1	6000	X	X	65	55.5

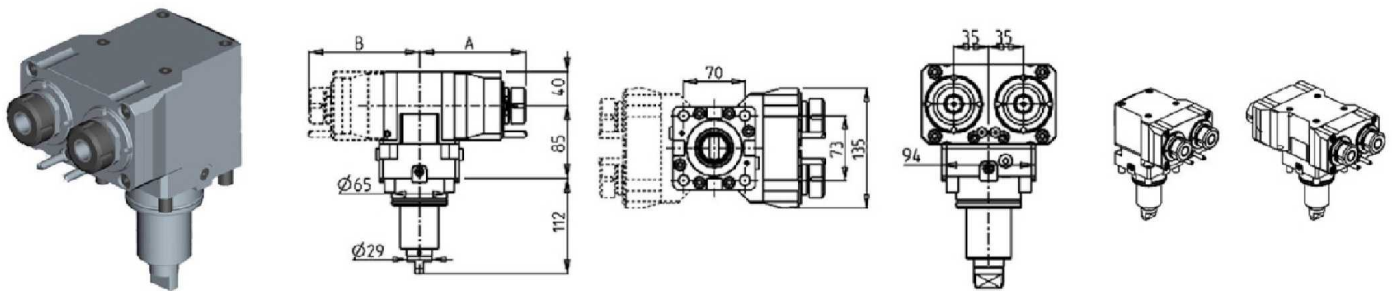
SKT200TTM/TTMS/TTSY - LM2000TTM/TTMS/TTSY - L2000/2100/2600/3000Y/SY - L300M/LM/MS/LMS - SKT250TTM/TTMS/TTSY - LM2500TTM/TTMS/TTSY - SKT250M/LM/MS - SKT300M/LM/MS - SKT-V3RM/LM - KM2600MTTS - LV450RM/LM - HD2600/3100 (BMT65)

DRIVEN

AXIAL SINGLE SIDE TWIN HEAD DRIVEN TOOL IN Y H=85mm

These tools will only fit the following machine models:

SKT200TTM/TTMS/TTSY - LM2000TTM/TTMS/TTSY - SKT250TTM/TTMS/TTSY - LM2500TTM/TTMS/TTSY - L2000/2600/3000Y/SY (BMT65)



Part Number	Description	Spindle	I	RPM	# of Tools	Reversible	Cool Thru	Ext Cool	A	B
DWO 1220225	Axial Single Side Twin ER25	ER25	1:1	6000	2	X		X	130.46	60
DWO 1221225	Axial Single Side Twin ER25 Cool Thru	ER25	1:1	6000	2	X	X	X	150.16	60
DWO 1220325	Axial Single Side Twin ERA25	ERA25	1:1	6000	2	X		X	119	60
DWO 1221325	Axial Single Side Twin ERA25 Cool Thru	ERA25	1:1	6000	2	X	X	X	142	60
DWO 1222225	Axial Single Side Twin ER25+ER25	ER25+ER25	1:1	6000	2+2	X		X	130.46	125.46
DWO 1222325	Axial Single Side Twin ERA25+ERA25	ERA25+ERA25	1:1	6000	2+2	X		X	119	114

* Coolant Thru tools are designed for 1000 psi.
They require 5 Micron Filtration and **CANNOT** be run dry.

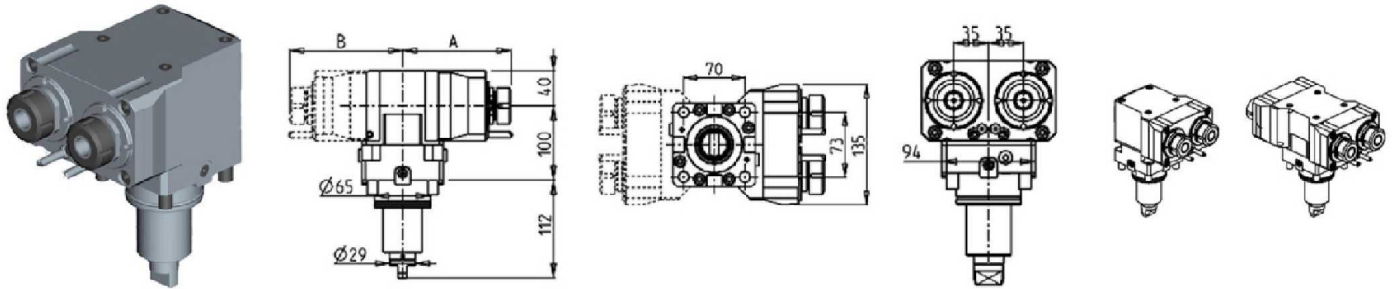
SKT200TTM/TTMS/TTSY - LM2000TTM/TTMS/TTSY - L2000/2100/2600/3000Y/SY - L300M/LM/MS/LMS - SKT250TTM/TTMS/TTSY - LM2500TTM/TTMS/TTSY - SKT250M/LM/MS - SKT300M/LM/MS - SKT-V3RM/LM - KM2600MTTS - LV450RM/LM - HD2600/3100 (BMT65)

DRIVEN

AXIAL SINGLE SIDE TWIN HEAD DRIVEN TOOL IN Y H=100mm

These tools will only fit the following machine models:

SKT200TTM/TTMS/TTSY - LM2000TTM/TTMS/TTSY - SKT250TTM/TTMS/TTSY - LM2500TTM/TTMS/TTSY - L2000/2600/3000Y/SY (BMT65)



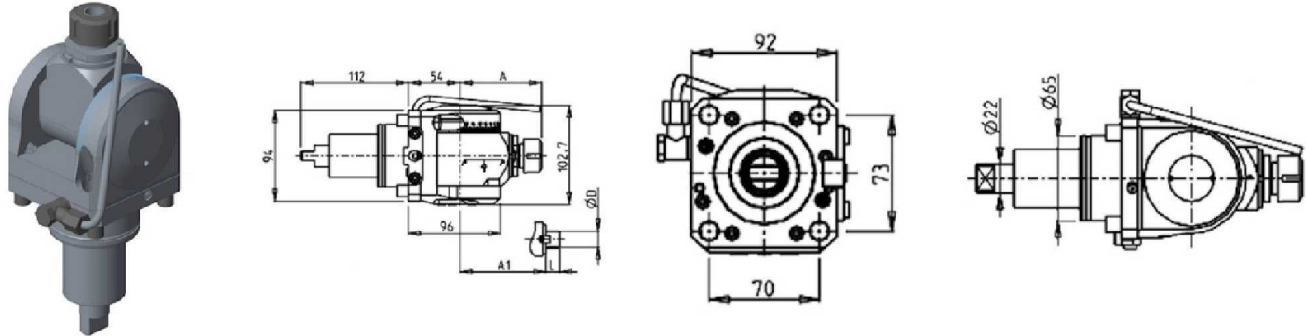
Part Number	Description	Spindle	I	RPM	# of Tools	Reversible	Cool Thru	Ext Cool	A	B
DWO 1230225	Axial Single Side Twin ER25	ER25	1:1	6000	2	X		X	130.46	60
DWO 1231225	Axial Single Side Twin ER25 Cool Thru	ER25	1:1	6000	2	X	X	X	150.16	60
DWO 1230325	Axial Single Side Twin ERA25	ERA25	1:1	6000	2	X		X	119	60
DWO 1231325	Axial Single Side Twin ERA25 Cool Thru	ERA25	1:1	6000	2	X	X	X	142	60
DWO 1232225	Axial Single Side Twin ER25+ER25	ER25+ER25	1:1	6000	2+2	X		X	130.46	125.46
DWO 1232325	Axial Single Side Twin ERA25+ERA25	ERA25+ERA25	1:1	6000	2+2	X		X	119	114

* Coolant Thru tools are designed for 1000 psi. They require 5 Micron Filtration and **CANNOT** be run dry.

SKT200TTM/TTMS/TTSY - LM2000TTM/TTMS/TTSY - L2000/2100/2600/3000Y/SY - L300M/LM/MS/LMS - SKT250TTM/TTMS/TTSY - LM2500TTM/TTMS/TTSY - SKT250M/LM/MS - SKT300M/LM/MS - SKT-V3RM/LM - KM2600MTTS - LV450RM/LM - HD2600/3100 (BMT65)

DRIVEN

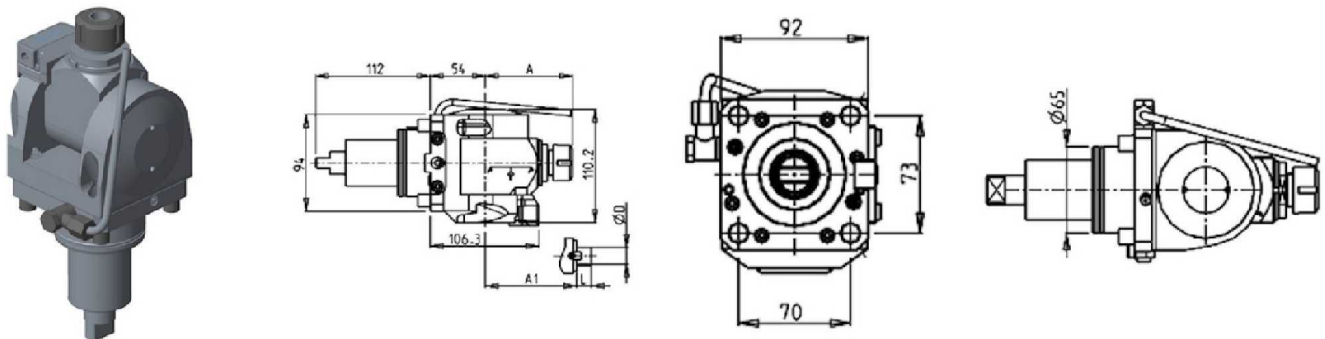
0-180 ADJUSTABLE ANGLE DRIVEN TOOL H=54mm



Part Number	Description	Spindle	I	RPM	Reversible	Ext Cool	A	A1	D	L
DWO 1920120	0-180 Adjustable Angle ER20	ER20	1:1	6000	X	X	85.16			
DWO 1920125	0-180 Adjustable Angle ER25	ER25	1:1	6000	X	X	86.16			
DWO 1920519	0-180 Adjustable Angle 3/4"x3/4"	3/4"x3/4"	1:1	6000	X	X		65	3/4"	3/4"
DWO 1920516	0-180 Adjustable Angle 16x17mm	16x17mm	1:1	6000	X	X		65	16	17
DWO 1920522	0-180 Adjustable Angle 22x19mm	22x19mm	1:1	6000	X	X		66	22	19

Note : Wrenches are provided with the purchase of Specialty Toolholders

0-180 ADJUSTABLE ANGLE DRIVEN TOOL WITH DIGITAL DISPLAY H=54mm



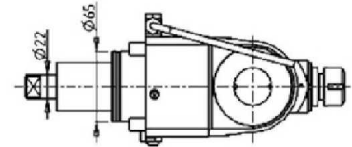
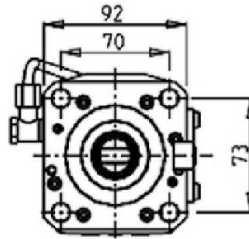
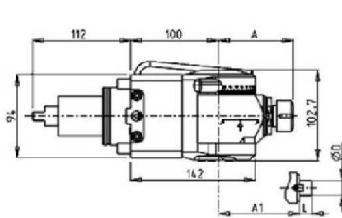
Part Number	Description	Spindle	I	RPM	Reversible	Ext Cool	A	A1	D	L
DWO 1850120	0-180 Adj. Angle ER20 with Digital Display	ER20	1:1	6000	X	X	85.16			
DWO 1850125	0-180 Adj. Angle ER25 with Digital Display	ER25	1:1	6000	X	X	86.16			
DWO 1850519	0-180 Adj. Angle 3/4"x3/4" with Digital Display	3/4"x3/4"	1:1	6000	X	X		65	3/4"	3/4"
DWO 1850516	0-180 Adj. Angle 16x17mm with Digital Display	16x17mm	1:1	6000	X	X		65	16	17
DWO 1850522	0-180 Adj. Angle 22x19mm with Digital Display	22x19mm	1:1	6000	X	X		66	22	19

Note : Wrenches are provided with the purchase of Specialty Toolholders

SKT200TTM/TTMS/TTSY - LM2000TTM/TTMS/TTSY - L2000/2100/2600/3000Y/SY - L300M/LM/MS/LMS - SKT250TTM/TTMS/TTSY - LM2500TTM/TTMS/TTSY - SKT250M/LM/MS - SKT300M/LM/MS - SKT-V3RM/LM - KM2600MTTS - LV450RM/LM - HD2600/3100 (BMT65)

DRIVEN

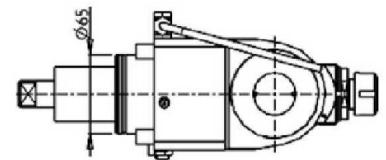
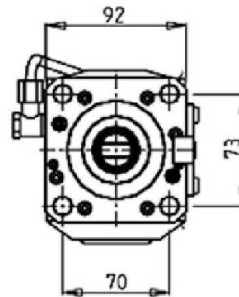
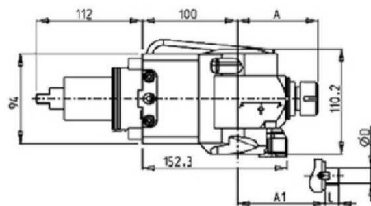
0-180 ADJUSTABLE ANGLE DRIVEN TOOL H=100mm



Part Number	Description	Spindle	I	RPM	Reversible	Ext Cool	A	A1	D	L
DWO 1930120	0-180 Adjustable Angle ER20	ER20	1:1	6000	X	X	85.16			
DWO 1930125	0-180 Adjustable Angle ER25	ER25	1:1	6000	X	X	86.16			
DWO 1930519	0-180 Adjustable Angle 3/4"x3/4"	3/4"x3/4"	1:1	6000	X	X		65	3/4"	3/4"
DWO 1930516	0-180 Adjustable Angle 16x17mm	16x17mm	1:1	6000	X	X		65	16	17
DWO 1930522	0-180 Adjustable Angle 22x19mm	22x19mm	1:1	6000	X	X		66	22	19

Note : Wrenches are provided with the purchase of Specialty Toolholders

0-180 ADJUSTABLE ANGLE DRIVEN TOOL WITH DIGITAL DISPLAY H=100mm



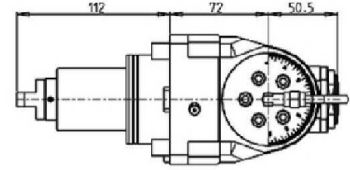
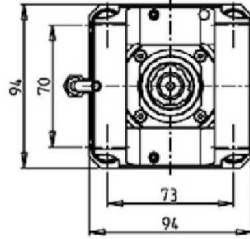
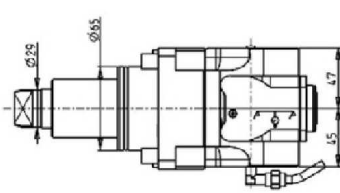
Part Number	Description	Spindle	I	RPM	Reversible	Ext Cool	A	A1	D	L
DWO 1860120	0-180 Adj. Angle ER20 with Digital Display	ER20	1:1	6000	X	X	85.16			
DWO 1860125	0-180 Adj. Angle ER25 with Digital Display	ER25	1:1	6000	X	X	86.16			
DWO 1860519	0-180 Adj. Angle 3/4"x3/4" with Digital Display	3/4"x3/4"	1:1	6000	X	X		65	3/4"	3/4"
DWO 1860516	0-180 Adj. Angle 16x17mm with Digital Display	16x17mm	1:1	6000	X	X		65	16	17
DWO 1860522	0-180 Adj. Angle 22x19mm with Digital Display	22x19mm	1:1	6000	X	X		66	22	19

Note : Wrenches are provided with the purchase of Specialty Toolholders

SKT200TTM/TTMS/TTSY - LM2000TTM/TTMS/TTSY - L2000/2100/2600/3000Y/SY - L300M/LM/MS/LMS - SKT250TTM/TTMS/TTSY - LM2500TTM/TTMS/TTSY - SKT250M/LM/MS - SKT300M/LM/MS - SKT-V3RM/LM - KM2600MTTS - LV450RM/LM - HD2600/3100 (BMT65)

DRIVEN

0-180 ADJUSTABLE ANGLE DRIVEN TOOL H=72mm



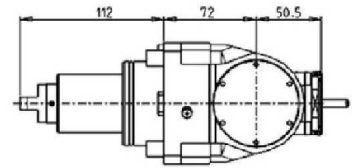
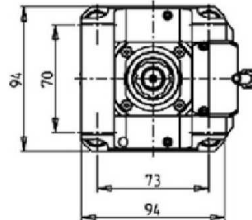
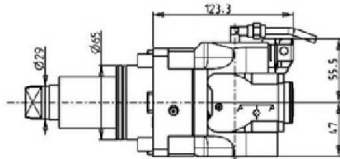
Part Number	Description	Spindle	I	RPM	Reversible	Cool Thru	Ext Cool
DWO 1940120	0-180 Adjustable Angle ERA20	ERA20	1:1	6000	X		X
DWO 1940220	0-180 Adjustable Angle ERA20 Cool Thru*	ERA20	1:1	6000	X	X	X

* Coolant Thru tools are designed for 1000 psi. They require 5 Micron Filtration and **CANNOT** be run dry.

Note :

Wrenches are provided with the purchase of Specialty Toolholders

0-180 ADJUSTABLE ANGLE DRIVEN TOOL WITH DIGITAL DISPLAY H=72mm



Part Number	Description	Spindle	I	RPM	Reversible	Cool Thru	Ext Cool
DWO 1945120	0-180 Adj. Angle ERA20 with Digital Display	ERA20	1:1	6000	X		X
DWO 1945220	0-180 Adj. Angle ERA20 with Digital Display Cool Thru*	ERA20	1:1	6000	X	X	X

* Coolant Thru tools are designed for 1000 psi. They require 5 Micron Filtration and **CANNOT** be run dry.

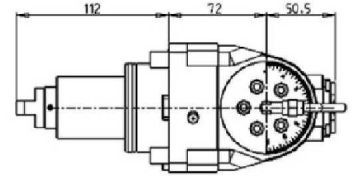
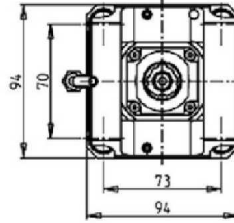
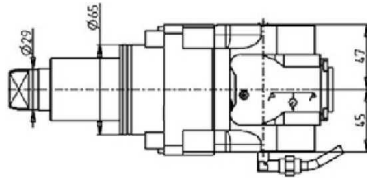
Note :

Wrenches are provided with the purchase of Specialty Toolholders

SKT200TTM/TTMS/TTSY - LM2000TTM/TTMS/TTSY - L2000/2100/2600/3000Y/SY - L300M/LM/MS/LMS - SKT250TTM/TTMS/TTSY - LM2500TTM/TTMS/TTSY - SKT250M/LM/MS - SKT300M/LM/MS - SKT-V3RM/LM - KM2600MTTS - LV450RM/LM - HD2600/3100 (BMT65)

DRIVEN

0-180 ADJUSTABLE ANGLE DRIVEN TOOL GEARED-UP 1:2 H=72mm



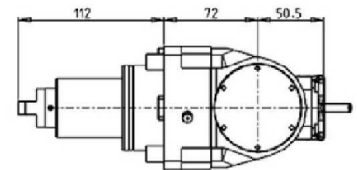
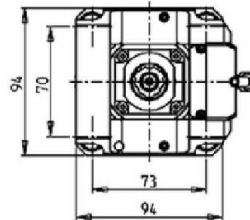
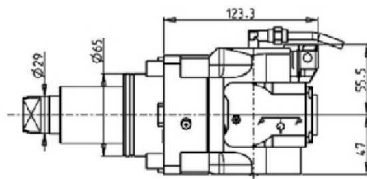
Part Number	Description	Spindle	I	RPM	Reversible	Cool Thru	Ext Cool
DWO 1940316	0-180 Adj. Angle Geared-Up ERA16	ERA16	1:2	12000	X		X
DWO 1940416	0-180 Adj. Angle Geared-Up ERA16 Cool Thru*	ERA16	1:2	12000	X	X	X

* Coolant Thru tools are designed for 1000 psi.
They require 5 Micron Filtration and **CANNOT** be run dry.

Note :

Wrenches are provided with the purchase of Specialty Toolholders

0-180 ADJUSTABLE ANGLE DRIVEN TOOL GEARED-UP 1:2 WITH DIGITAL DISPLAY H=72mm



Part Number	Description	Spindle	I	RPM	Reversible	Cool Thru	Ext Cool
DWO 1945316	0-180 Adj. Angle Geared-Up ERA16 with Digital Display	ERA16	1:2	12000	X		X
DWO 1945416	0-180 Adj. Angle Geared-Up ERA16 with Digital Display Cool Thru*	ERA16	1:2	12000	X	X	X

* Coolant Thru tools are designed for 1000 psi.
They require 5 Micron Filtration and **CANNOT** be run dry.

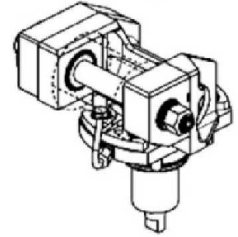
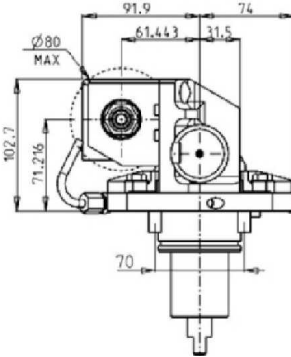
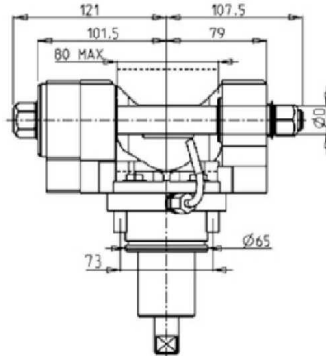
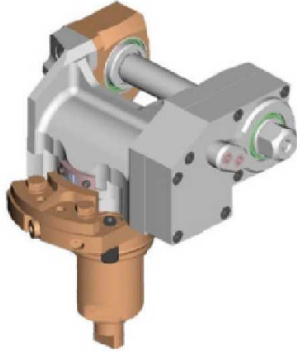
Note :

Wrenches are provided with the purchase of Specialty Toolholders

SKT200TTM/TTMS/TTSY - LM2000TTM/TTMS/TTSY - L2000/2100/2600/3000Y/SY - L300M/LM/MS/LMS - SKT250TTM/TTMS/TTSY - LM2500TTM/TTMS/TTSY - SKT250M/LM/MS - SKT300M/LM/MS - SKT-V3RM/LM - KM2600MTTS - LV450RM/LM - HD2600/3100 (BMT65)

DRIVEN

DRIVEN GEAR HOBBER



Part Number	Description	Reversible	I	RPM	Ext. Cool	D mm	D Inch
0321100	Gear Hobbing Tool 1:1	X	1:1	6000	X	16-22-27-32	3/4"-1"-1 1/4"
0322100	Gear Hobbing Tool 2:1 Geared Down	X	2:1	3000	X	16-22-27-32	3/4"-1"-1 1/4"

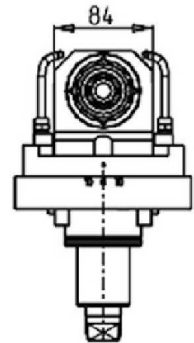
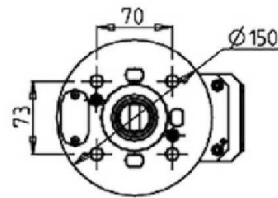
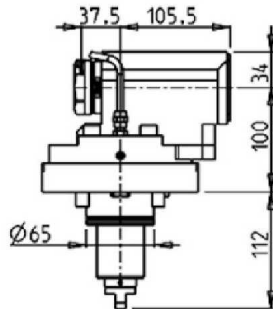
Note : Wrenches are provided with the purchase of Specialty Toolholders

QUICK CHANGE AXIAL MTSK-40 DRIVEN TOOL FOR POWER SKIVING H=100mm

These tools will only fit the following machine models:

SKT200TTSY - LM2000TTSY - SKT250TTSY - LM2500TTSY - L2000/2600/3000Y/SY (BMT65)

See Accessories for MTSK Quick Change Tool Holder Clamps



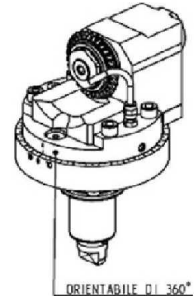
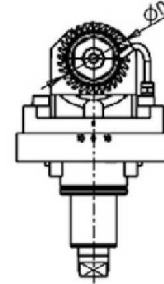
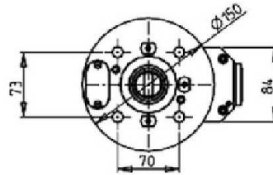
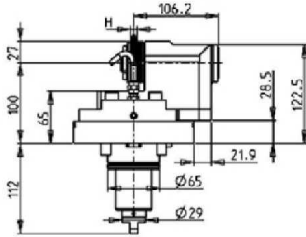
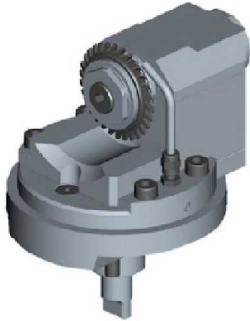
Part Number	Description	Spindle	I	RPM	Reversible	Ext Cool
DWO 1770100	Axial MTSK-40 for Power Skiving	MTSK-40	1:1	6000	X	X

Note : Wrenches are provided with the purchase of Specialty Toolholders

SKT200TTM/TTMS/TTSY - LM2000TTM/TTMS/TTSY - L2000/2100/2600/3000Y/SY - L300M/LM/MS/LMS -
 SKT250TTM/TTMS/TTSY - LM2500TTM/TTMS/TTSY - SKT250M/LM/MS - SKT300M/LM/MS - SKT-V3RM/LM
 - KM2600MTTS - LV450RM/LM - HD2600/3100 (BMT65)

DRIVEN

DRIVEN TOOL FOR WORM SCREWS



Part Number	Description	Spindle	I	RPM	Reversible	Ext Cool	ϕ D	H
DWO 2928125	Driven Tool for Worm Screws $\phi 1"$ x12mm	$\phi 1"$ x12	1:1	6000	X	X	63-70-80	MAX 12
DWO 2928022	Driven Tool for Worm Screws $\phi 22$ x12mm	$\phi 22$ x12	1:1	6000	X	X	63-70-80	MAX 12

Note : Wrenches are provided with the purchase of Specialty Toolholders

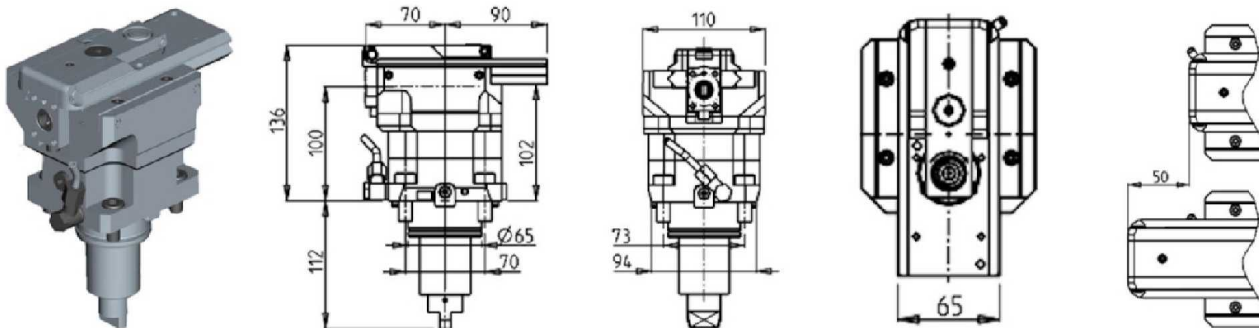
SKT200TTM/TTMS/TTSY - LM2000TTM/TTMS/TTSY - L2000/2100/2600/3000Y/SY - L300M/LM/MS/LMS - SKT250TTM/TTMS/TTSY - LM2500TTM/TTMS/TTSY - SKT250M/LM/MS - SKT300M/LM/MS - SKT-V3RM/LM - KM2600MTTS - LV450RM/LM - HD2600/3100 (BMT65)

DRIVEN

BROACHING/SLOTING TOOL 50mm STROKE H=100mm

These tools will only fit the following machine models:

SKT200TTM/TTMS/TTSY - LM2000TTM/TTMS/TTSY - L2000/2600/3000Y/SY - L300M/LM/MS/LMS - SKT250TTM/TTMS/TTSY - LM2500TTM/TTMS/TTSY - SKT250M/LM/MS - SKT300M/LM/MS - HD2600/3100 (BMT65)

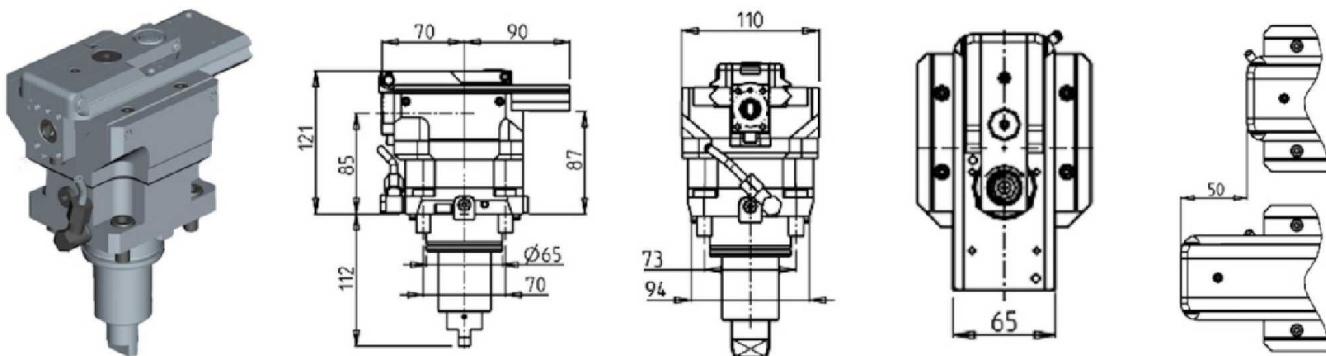


Part Number	Description	I	RPM MAX	Reversible	Ext Cool
DWO 1520100	Broaching / Slotting Tool H=100mm	4:1	2000	X	X

BROACHING/SLOTING TOOL 50mm STROKE H=85mm

These tools will only fit the following machine models:

SKT200TTM/TTMS/TTSY - LM2000TTM/TTMS/TTSY - SKT250TTM/TTMS/TTSY - LM2500TTM/TTMS/TTSY - SKT250M/LM/MS - SKT300M/LM/MS - L300M/LM/MS/LMS - L2000/2600/3000Y/SY - HD2600/3100 (BMT65)



Part Number	Description	I	RPM MAX	Reversible	Ext Cool
DWO 1530100	Broaching / Slotting Tool H=85mm	4:1	2000	X	X

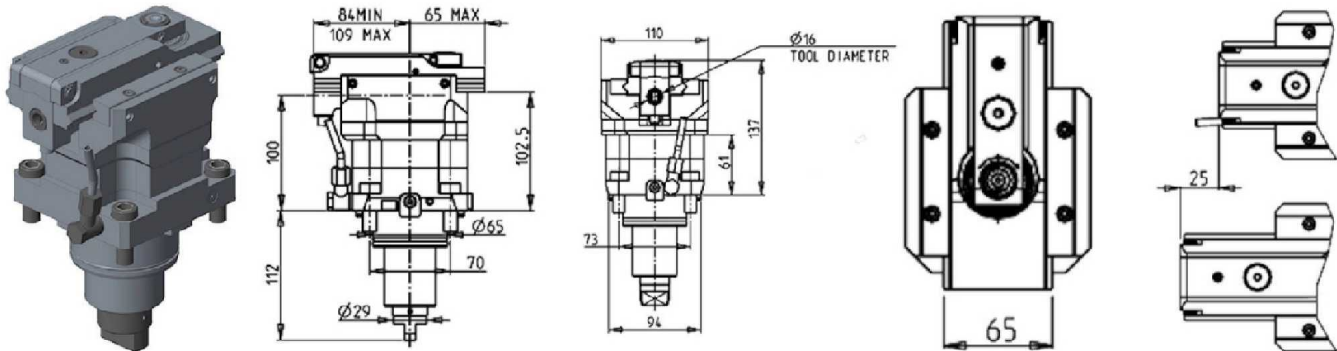
SKT200TTM/TTMS/TTSY - LM2000TTM/TTMS/TTSY - L2000/2100/2600/3000Y/SY - L300M/LM/MS/LMS - SKT250TTM/TTMS/TTSY - LM2500TTM/TTMS/TTSY - SKT250M/LM/MS - SKT300M/LM/MS - SKT-V3RM/LM - KM2600MTTS - LV450RM/LM - HD2600/3100 (BMT65)

DRIVEN

BROACHING/SLOTING TOOL 25mm STROKE H=100mm

These tools will only fit the following machine models:

SKT200TTM/TTMS/TTSY - LM2000TTM/TTMS/TTSY - L2000/2600/3000Y/SY - L300M/LM/MS/LMS - SKT250TTM/TTMS/TTSY - LM2500TTM/TTMS/TTSY - SKT250M/LM/MS - SKT300M/LM/MS - LV450RM/LM - HD2600/3100 (BMT65)

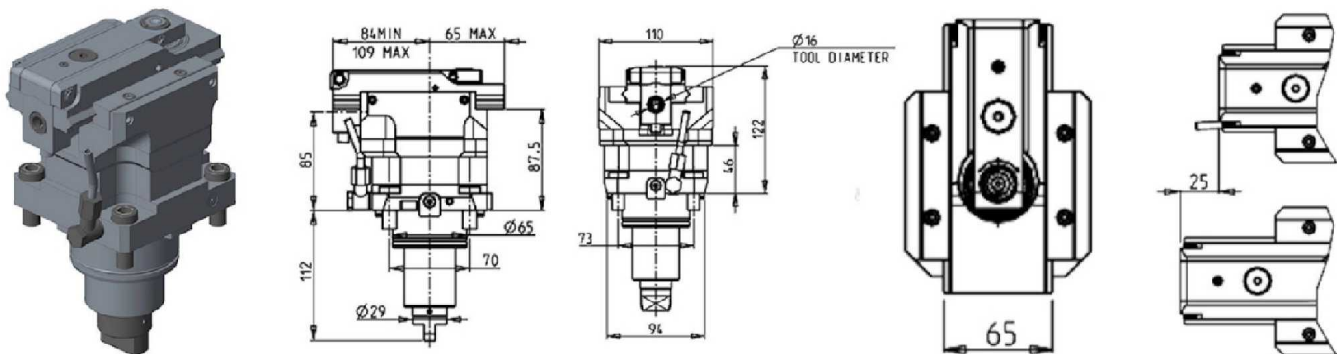


Part Number	Description	I	RPM MAX	Reversible	Ext Cool
DWO 1520200	Broaching / Slotting Tool H=100mm	4:1	2400	X	X

BROACHING/SLOTING TOOL 25mm STROKE H=85mm

These tools will only fit the following machine models:

SKT200TTM/TTMS/TTSY - LM2000TTM/TTMS/TTSY - L2000/2100/2600/3000Y/SY - L300M/LM/MS/LMS - SKT250TTM/TTMS/TTSY - LM2500TTM/TTMS/TTSY - SKT250M/LM/MS - SKT300M/LM/MS - LV450RM/LM - HD2600/3100 (BMT65)



Part Number	Description	I	RPM MAX	Reversible	Ext Cool
DWO 1530200	Broaching / Slotting Tool H=85mm	4:1	2400	X	X

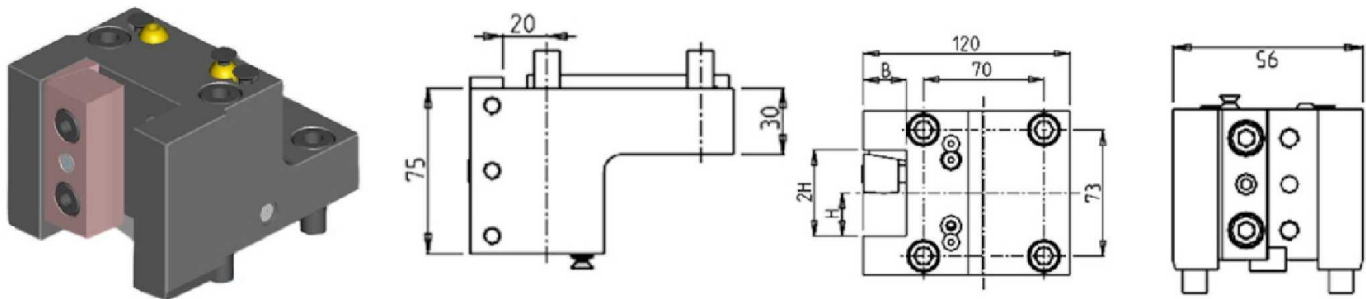
SKT200TTM/TTMS/TTSY - LM2000TTM/TTMS/TTSY - L2000/2100/2600/3000Y/SY - L300M/LM/MS/LMS - SKT250TTM/TTMS/TTSY - LM2500TTM/TTMS/TTSY - SKT250M/LM/MS - SKT300M/LM/MS - SKT-V3RM/LM - KM2600MTTS - LV450RM/LM - HD2600/3100 (BMT65)

STATIC

RADIAL SINGLE STATIC TOOL H=75mm

These tools will only fit the following machine models:

SKT200TTM/TTMS/TTSY - LM2000TTM/TTMS/TTSY - SKT250TTM/TTMS/TTSY - LM2500TTM/TTMS/TTSY - SKT250M/LM/MS - SKT300M/LM/MS - L300M/LM/MS/LMS - L2000/2100/2600/3000Y/SY - KM2600MTTS - HD2600/3100 (BMT65)

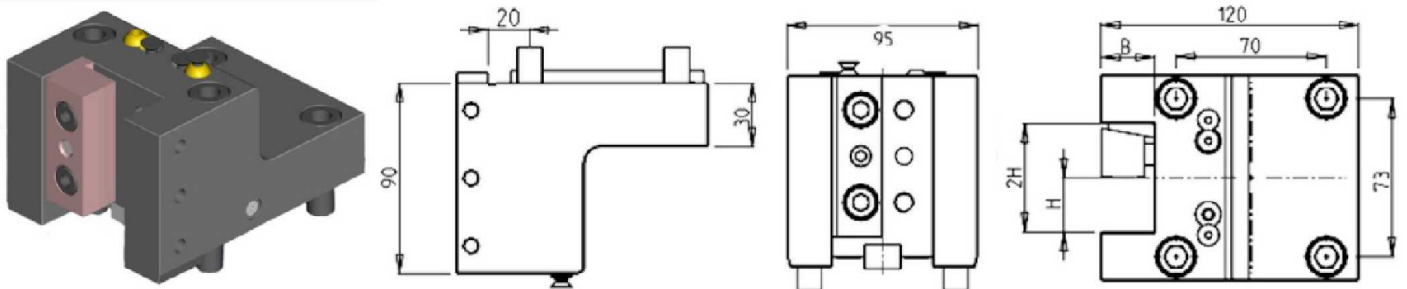


Part Number	Description	# of Tools	Reversible	Cool Thru	Ext Cool	Dimensions	B	H
DWO 1422540	Radial Static Tool 1"	1	X		X	Inch	1"	1"
DWO 1422500	Radial Static Tool Ø25mm	1	X		X	mm	25	25
DWO 1422510	Radial Static Tool Ø25mm Cool Thru	1	X	X	X	mm	25	25

RADIAL SINGLE STATIC TOOL H=90mm

These tools will NOT fit the following machine models:

SKT-V3RM/LM



Part Number	Description	# of Tools	Reversible	Dimensions	B	H
DWO 0482540	Radial Static Tool: 1" H=90mm	1	X	Inch	1"	1"
DWO 0482000	Radial Static Tool: 20mm H=90mm	1	X	mm	20	20
DWO 0482500	Radial Static Tool: 25mm H=90mm	1	X	mm	25	25

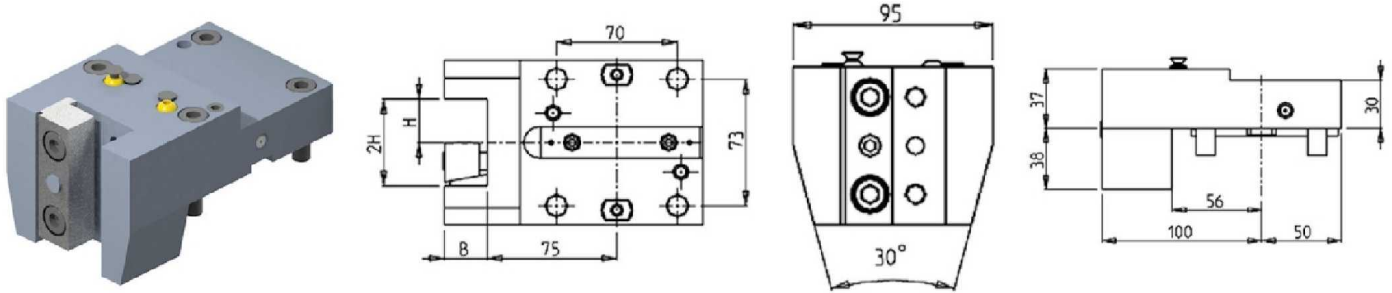
SKT200TTM/TTMS/TTSY - LM2000TTM/TTMS/TTSY - L2000/2100/2600/3000Y/SY - L300M/LM/MS/LMS - SKT250TTM/TTMS/TTSY - LM2500TTM/TTMS/TTSY - SKT250M/LM/MS - SKT300M/LM/MS - SKT-V3RM/LM - KM2600MTTS - LV450RM/LM - HD2600/3100 (BMT65)

STATIC

RADIAL REAR-SET SINGLE STATIC TOOL

These tools will only fit the following machine models:

L2100Y/SY

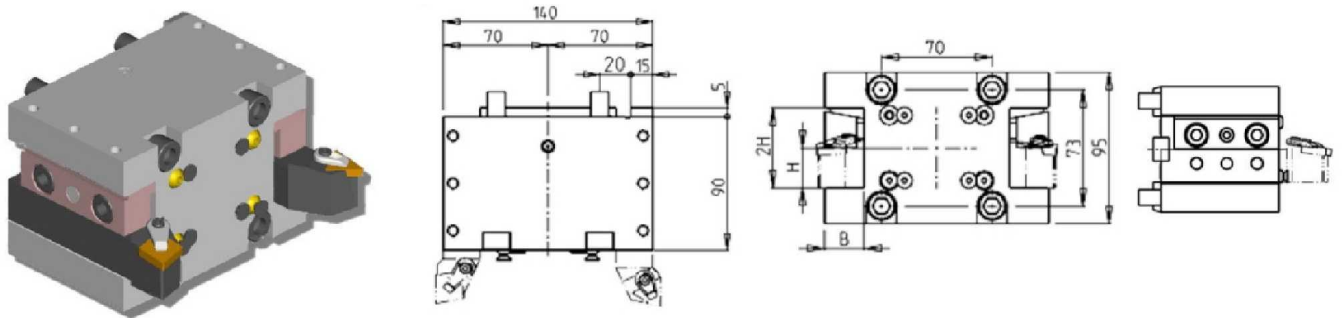


Part Number	Description	# of Tools	Dimensions	B	H
DWO 3652500	Radial Rear Set Single Static Tool Ø25mm	1	mm	25	25

RADIAL DOUBLE STATIC TOOL H=90mm

These tools will only fit the following machine models:

SKT200TTM/TTMS/TTSY - LM2000TTM/TTMS/TTSY - SKT250TTM/TTMS/TTSY - LM2500TTM/TTMS/TTSY - SKT250M/LM/MS - SKT300M/LM/MS - L300M/LM/MS/LMS - L2000/2100/2600/3000Y/SY - KM2600MTTS - HD2600/3100 (BMT65)



Part Number	Description	# of Tools	Reversible	Cool Thru	Ext Cool	Dimensions	B	H
DWO 0272540	Radial Double Static Tool 1"	2	X		X	Inch	1"	1"
DWO 0272000	Radial Double Static Tool Ø20mm	2	X		X	mm	20	20
DWO 0272500	Radial Double Static Tool Ø25mm	2	X		X	mm	25	25
DWO 0272510	Radial Double Static Tool Ø25mm Cool Thru	2	X	X	X	mm	25	25

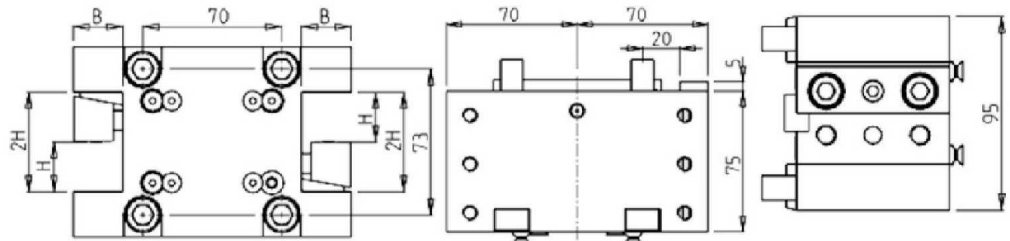
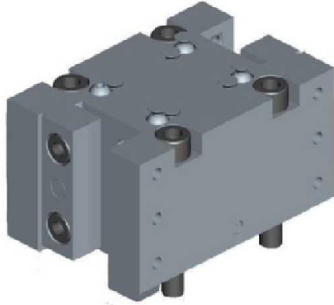
SKT200TTM/TTMS/TTSY - LM2000TTM/TTMS/TTSY - L2000/2100/2600/3000Y/SY - L300M/LM/MS/LMS - SKT250TTM/TTMS/TTSY - LM2500TTM/TTMS/TTSY - SKT250M/LM/MS - SKT300M/LM/MS - SKT-V3RM/LM - KM2600MTTS - LV450RM/LM - HD2600/3100 (BMT65)

STATIC

RADIAL DOUBLE STATIC TOOL H=75mm

These tools will only fit the following machine models:

SKT200TTM/TTMS/TTSY - LM2000TTM/TTMS/TTSY - SKT250TTM/TTMS/TTSY - LM2500TTM/TTMS/TTSY - SKT250M/LM/MS - SKT300M/LM/MS - L300M/LM/MS/LMS - L2000/2100/2600/3000Y/SY - KM2600MTTS - HD2600/3100 (BMT65)

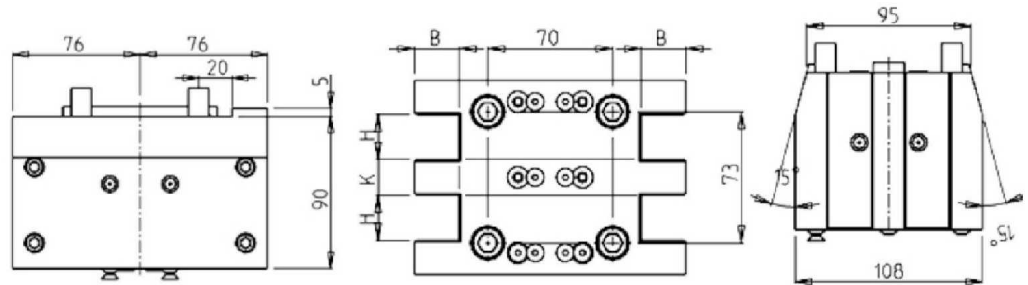
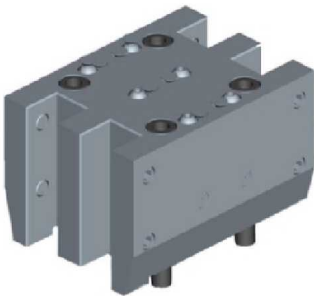


Part Number	Description	# of Tools	Reversible	Dimensions	B	H
DWO 0672000	Radial Double Static Tool \varnothing 20mm	2	X	mm	20	20
DWO 0672500	Radial Double Static Tool \varnothing 25mm	2	X	mm	25	25

RADIAL DOUBLE SIDE TWIN STATIC TOOL

These tools will only fit the following machine models:

SKT200TTM/TTMS/TTSY - LM2000TTM/TTMS/TTSY - SKT250TTM/TTMS/TTSY - LM2500TTM/TTMS/TTSY - L2000/2100/2600/3000Y/SY (BMT65)



Part Number	Description	# of Tools	Reversible	Dimensions	H	K	B
DWO 0622540	Radial Double Side Twin Static Tool H=1"	4	X	Inch	1"	3/4"	1"
DWO 0622500	Radial Double Side Twin Static Tool H=25mm	4	X	mm	25	20	25

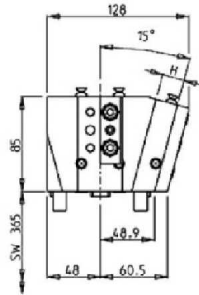
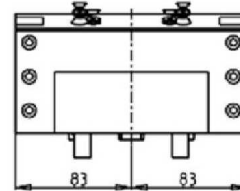
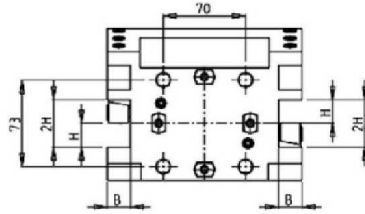
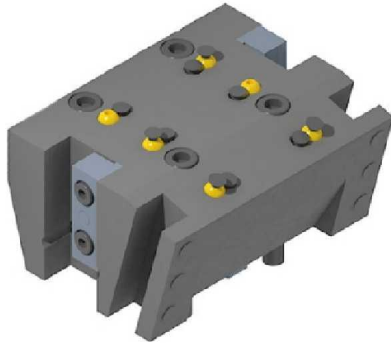
SKT200TTM/TTMS/TTSY - LM2000TTM/TTMS/TTSY - L2000/2100/2600/3000Y/SY - L300M/LM/MS/LMS - SKT250TTM/TTMS/TTSY - LM2500TTM/TTMS/TTSY - SKT250M/LM/MS - SKT300M/LM/MS - SKT-V3RM/LM - KM2600MTTS - LV450RM/LM - HD2600/3100 (BMT65)

STATIC

RADIAL MULTIPLE STATIC TOOL

These tools will only fit the following machine models:

L2000/2600/3000Y/SY

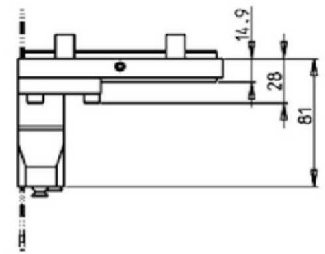
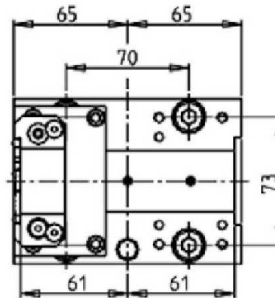
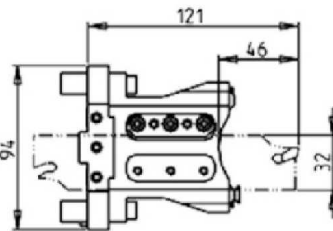
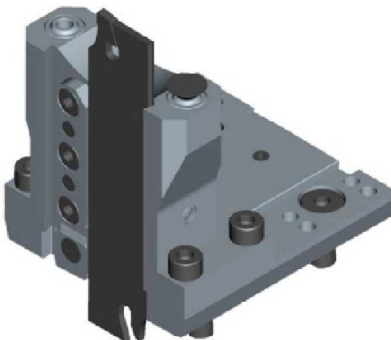


Part Number	Description	# of Tools	Ext Cool	Dimensions	B	H
DWO 3891905	Radial Multiple Static Tool 3/4"	4	X	Inch	3/4"	3/4"
DWO 3892000	Radial Multiple Static Tool Ø20mm	4	X	mm	20	20

RADIAL BLADE HOLDER WITH BLADE KIT

These tools will only fit the following machine models:

SKT200TTM/TTMS/TTSY - LM2000TTM/TTMS/TTSY - L2000/2100/2600/3000Y/SY - L300M/LM/MS/LMS - SKT250TTM/TTMS/TTSY - LM2500TTM/TTMS/TTSY - SKT250M/LM/MS - SKT300M/LM/MS - KM2600MTTS - LV450RM/LM - HD2600/3100 (BMT65)



Part Number	Description	# of Tools	Reversible	Ext Cool
DWO 1410132	Radial Blade Holder with Blade Kit	1	X	X
BLADEKIT	Blade Kit: 1 Blade, 10 Inserts			

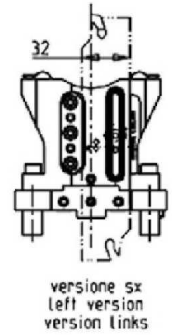
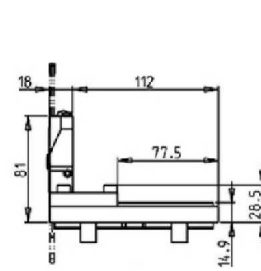
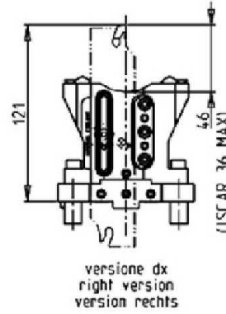
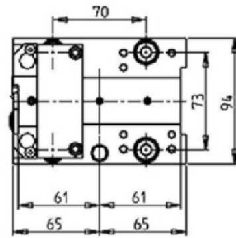
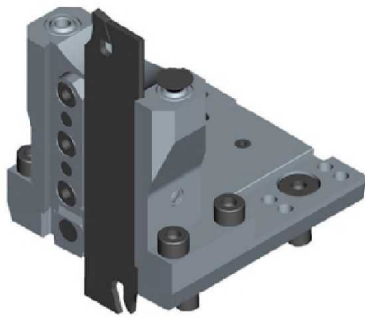
SKT200TTM/TTMS/TTSY - LM2000TTM/TTMS/TTSY - L2000/2100/2600/3000Y/SY - L300M/LM/MS/LMS - SKT250TTM/TTMS/TTSY - LM2500TTM/TTMS/TTSY - SKT250M/LM/MS - SKT300M/LM/MS - SKT-V3RM/LM - KM2600MTTS - LV450RM/LM - HD2600/3100 (BMT65)

STATIC

RADIAL BLADE HOLDER WITH INTERNAL COOLANT-BLADE KIT NOT INCLUDED

These tools will only fit the following machine models:

SKT200TTM/TTMS/TTSY - LM2000TTM/TTMS/TTSY - L2000/2100/2600/3000Y/SY - L300M/LM/MS/LMS - SKT250TTM/TTMS/TTSY - LM2500TTM/TTMS/TTSY - SKT250M/LM/MS - SKT300M/LM/MS - KM2600MTTS - LV450RM/LM - HD2600/3100 (BMT65)



Part Number	Description	# of Tools	Reversible	Ext Cool	Cool Thru
DWO 1730132R	Radial Blade Holder with Cool Thru (Right Hand)	1	X	X	X
DWO 1730132L	Radial Blade Holder with Cool Thru (Left Hand)	1	X	X	X
COOL THRU BLADEKIT	Blade Kit: 1 Blade, 10 Inserts				

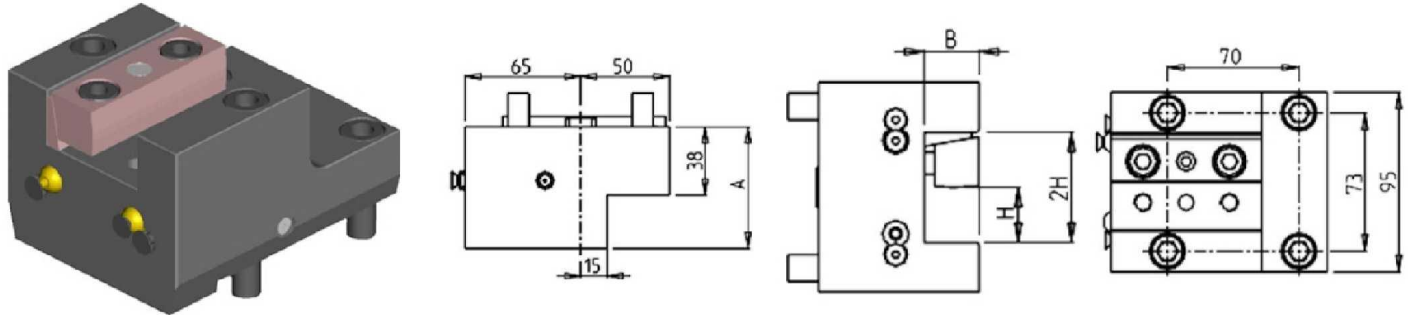
SKT200TTM/TTMS/TTSY - LM2000TTM/TTMS/TTSY - L2000/2100/2600/3000Y/SY - L300M/LM/MS/LMS - SKT250TTM/TTMS/TTSY - LM2500TTM/TTMS/TTSY - SKT250M/LM/MS - SKT300M/LM/MS - SKT-V3RM/LM - KM2600MTTS - LV450RM/LM - HD2600/3100 (BMT65)

STATIC

AXIAL STATIC TOOL

These tools will NOT fit the following machine models:

KM2600MTTS

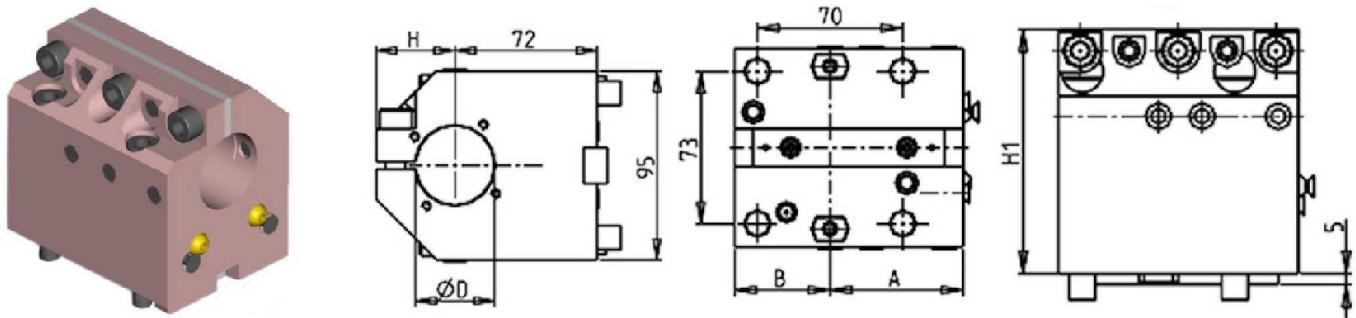


Part Number	Description	# of Tools	Reversible	Cool Thru	Ext Cool	Dimensions	A	B	H
DWO 1452540	Axial Static Tool 1"	1	X		X	Inch	68	1"	1"
DWO 1452500	Axial Static Tool 25mm	1	X		X	mm	68	25	25
DWO 3462510	Axial Static Tool 25mm Cool Thru*	1	X	X	X	mm	90	25	25

AXIAL SINGLE BORING BAR HOLDER

These tools will only fit the following machine models:

SKT250M/LM/MS - SKT300M/LM/MS - L300M/LM/MS/LMS - L2000/2100/2600/3000Y/SY - HD2600/3100 (BMT65)



Part Number	Description	# of Tools	Reversible	Cool Thru	Ext. Cool	Dimensions	D	A	B	H	H1
0833810	Axial Single BBH: 1-1/2"	1	X	X	X	Inch	1 1/2"	64	46	40	112
0835080	Axial Single BBH: 2"	1	X	X	X	Inch	2"	64	46	46.5	118
0832500	Axial Single BBH: 25mm	1	X	X	X	mm	25	55	55	33	105
0834000	Axial Single BBH: 40mm	1	X	X	X	mm	40	64	46	40	112
0835000	Axial Single BBH: 50mm	1	X	X	X	mm	50	64	46	46.5	118
KIT 1003004	Plug & Seal Kit for 1 1/2" BBH to Make IC										
KIT 1003006	Plug & Seal Kit for 25mm BBH to Make IC										
KIT 1003003	Plug & Seal Kit for 40mm BBH to Make IC										
KIT 1003002	Plug & Seal Kit for 50mm or 2" BBH to Make IC										

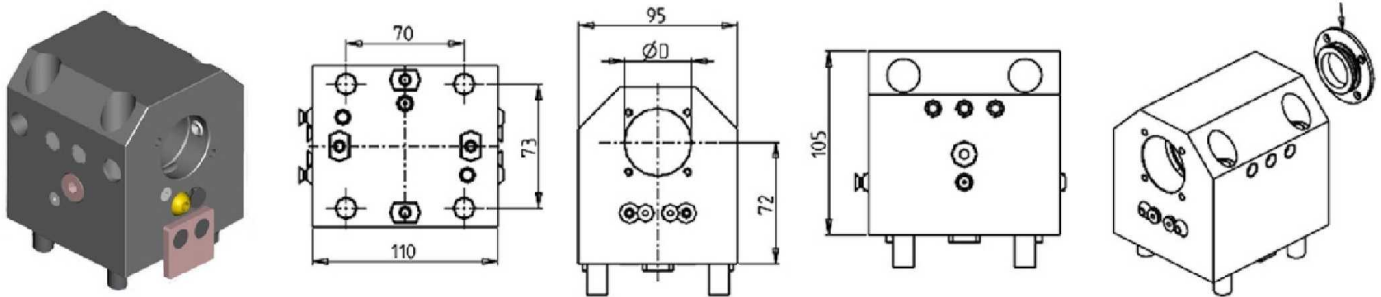
SKT200TTM/TTMS/TTSY - LM2000TTM/TTMS/TTSY - L2000/2100/2600/3000Y/SY - L300M/LM/MS/LMS - SKT250TTM/TTMS/TTSY - LM2500TTM/TTMS/TTSY - SKT250M/LM/MS - SKT300M/LM/MS - SKT-V3RM/LM - KM2600MTTS - LV450RM/LM - HD2600/3100 (BMT65)

STATIC

AXIAL SINGLE BORING BAR HOLDER H=72mm

These tools will only fit the following machine models:

SKT250M/LM/MS - SKT300M/LM/MS - L300M/LM/MS/LMS - L2000/2100/2600/3000Y/SY - HD2600/3100 (BMT65)

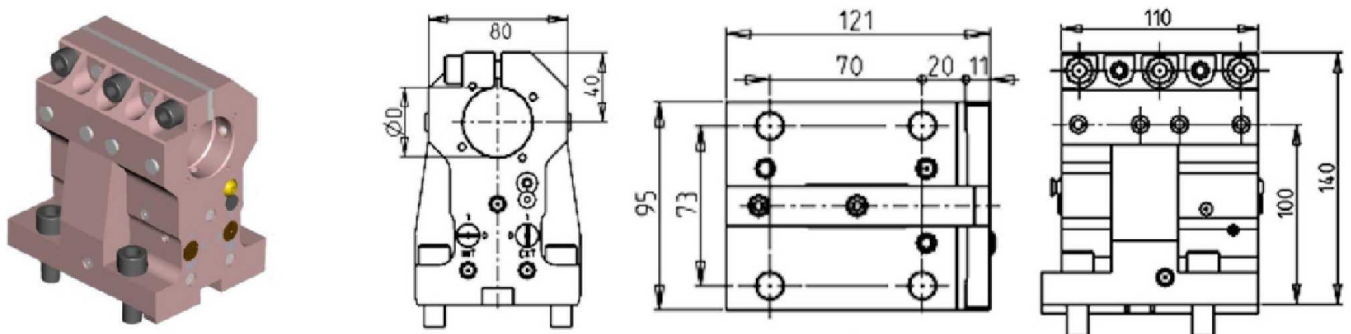


Part Number	Description	# of Tools	Reversible	Cool Thru	Ext Cool	Dimensions	D
DWO 2882500	Axial Single BBH 25mm	1	X	X	X	mm	25
DWO 2884000	Axial Single BBH 40mm	1	X	X	X	mm	40
KIT 1000006	Plug for 25mm BBH to Make Cool Thru						
KIT 1000003	Plug for 40mm BBH to Make Cool Thru						

AXIAL SINGLE BORING BAR HOLDER 40mm H=100mm

These tools will only fit the following machine models:

SKT200TTM/TTMS/TTSY - LM2000TTM/TTMS/TTSY - L2000/2600/3000Y/SY - L300M/LM/MS/LMS - SKT250TTM/TTMS/TTSY - LM2500TTM/TTMS/TTSY - SKT250M/LM/MS - SKT300M/LM/MS - LV450RM/LM - HD2600/3100 (BMT65)



Part Number	Description	# of Tools	Reversible	Cool Thru	Ext. Cool	Dimensions	B
DWO 0204000	Axial Single BBH: 40mm, H=100mm	1	X	X	X	mm	40
KIT 1003003	Plug & Seal Kit for 40mm BBH to Make Cool Thru						

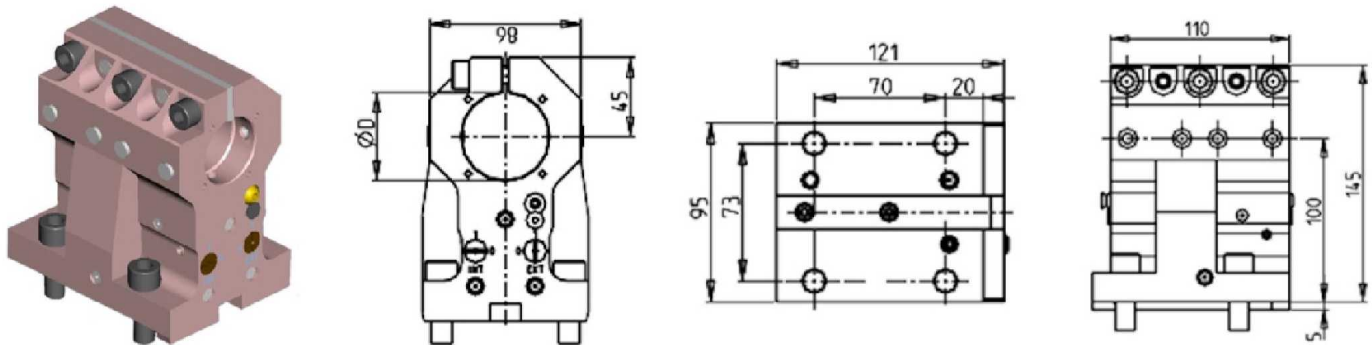
SKT200TTM/TTMS/TTSY - LM2000TTM/TTMS/TTSY - L2000/2100/2600/3000Y/SY - L300M/LM/MS/LMS - SKT250TTM/TTMS/TTSY - LM2500TTM/TTMS/TTSY - SKT250M/LM/MS - SKT300M/LM/MS - SKT-V3RM/LM - KM2600MTTS - LV450RM/LM - HD2600/3100 (BMT65)

STATIC

AXIAL SINGLE BORING BAR HOLDER 50mm H=100mm

These tools will only fit the following machine models:

SKT200TTM/TTMS/TTSY - LM2000TTM/TTMS/TTSY - L2000/2600/3000Y/SY - L300M/LM/MS/LMS - SKT250TTM/TTMS/TTSY - LM2500TTM/TTMS/TTSY - SKT250M/LM/MS - SKT300M/LM/MS - LV450RM/LM - HD2600/3100 (BMT65)

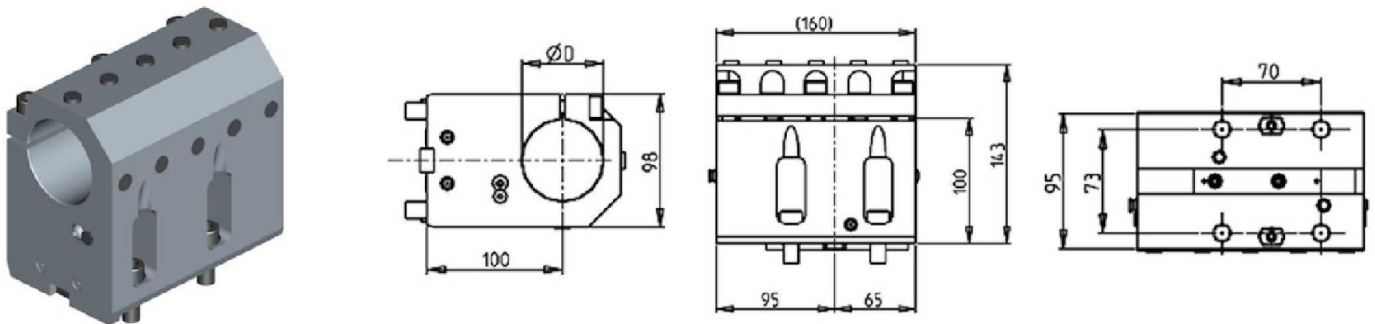


Part Number	Description	# of Tools	Reversible	Cool Thru	Ext Cool	Dimensions	D
DWO 0205000	Axial Single BBH: 50mm, H=100mm	1	X	X	X	mm	50
KIT 1003002	Plug & Seal Kit for 50mm BBH to Make Cool Thru						

AXIAL SINGLE BORING BAR HOLDER 60mm H=100mm

These tools will only fit the following machine models:

SKT200TTM/TTMS/TTSY - LM2000TTM/TTMS/TTSY - L2000/2600/3000Y/SY - L300M/LM/MS/LMS - SKT250TTM/TTMS/TTSY - LM2500TTM/TTMS/TTSY - SKT250M/LM/MS - SKT300M/LM/MS - LV450RM/LM - HD2600/3100 (BMT65)



Part Number	Description	# of Tools	Reversible	Ext Cool	Dimension	D
DWO 1446000	Axial Single BBH 60mm H=100mm	1	X	X	mm	60

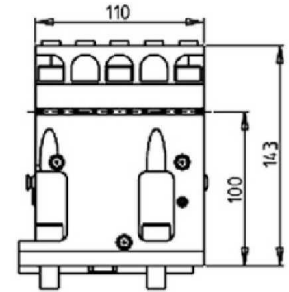
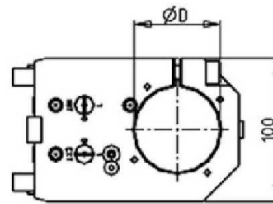
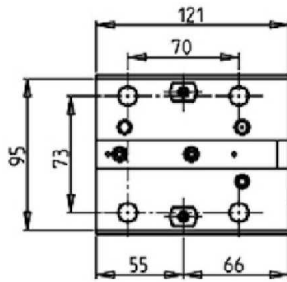
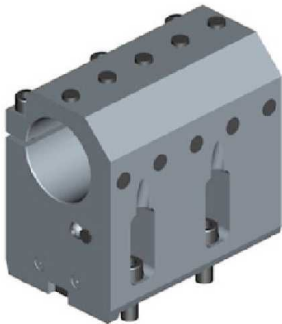
SKT200TTM/TTMS/TTSY - LM2000TTM/TTMS/TTSY - L2000/2100/2600/3000Y/SY - L300M/LM/MS/LMS - SKT250TTM/TTMS/TTSY - LM2500TTM/TTMS/TTSY - SKT250M/LM/MS - SKT300M/LM/MS - SKT-V3RM/LM - KM2600MTTS - LV450RM/LM - HD2600/3100 (BMT65)

STATIC

AXIAL SINGLE BORING BAR HOLDER 60mm H=100mm

These tools will only fit the following machine models:

SKT200TTM/TTMS/TTSY - LM2000TTM/TTMS/TTSY - L2000/2600/3000Y/SY - L300M/LM/MS/LMS - SKT250TTM/TTMS/TTSY - LM2500TTM/TTMS/TTSY - SKT250M/LM/MS - SKT300M/LM/MS - LV450RM/LM - HD2600/3100 (BMT65)

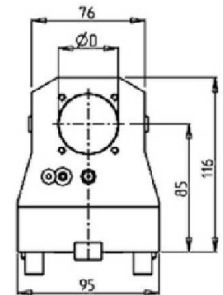
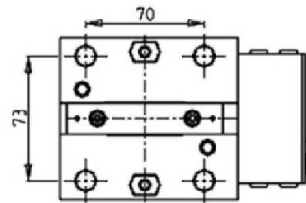
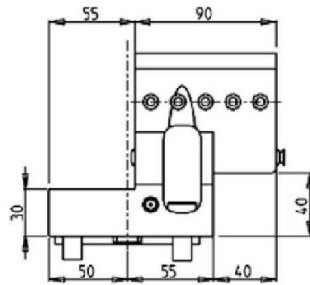


Part Number	Description	# of Tools	Reversible	Cool Thru	Dimensions	D
DWO 0746000	Axial Single BBH: 60mm	1	X	X	mm	60
KIT 1003025	Plug & Seal Kit for 60mm BBH to Make Cool Thru					

AXIAL REAR SET BORING BAR HOLDER H=85mm

These tools will only fit the following machine models:

SKT200TTM/TTMS/TTSY - LM2000TTM/TTMS/TTSY - L2000/2100/2600/3000Y/SY - L300M/LM/MS/LMS - SKT250TTM/TTMS/TTSY - LM2500TTM/TTMS/TTSY - SKT250M/LM/MS - SKT300M/LM/MS - SKT-V3RM/LM - LV450RM/LM - HD2600/3100 (BMT65)



Part Number	Description	Reversible	Cool Thru	Ext Cool	Dimensions	D
DWO 3853810	Axial Rear Set BBH 1-1/2"	X	X	X	Inch	1-1/2"
DWO 3854000	Axial Rear Set BBH 40mm	X	X	X	mm	40
KIT 1000004	Plug for 1-1/2" BBH to Make Cool Thru					
KIT 1000003	Plug for 40mm BBH to Make Cool Thru					

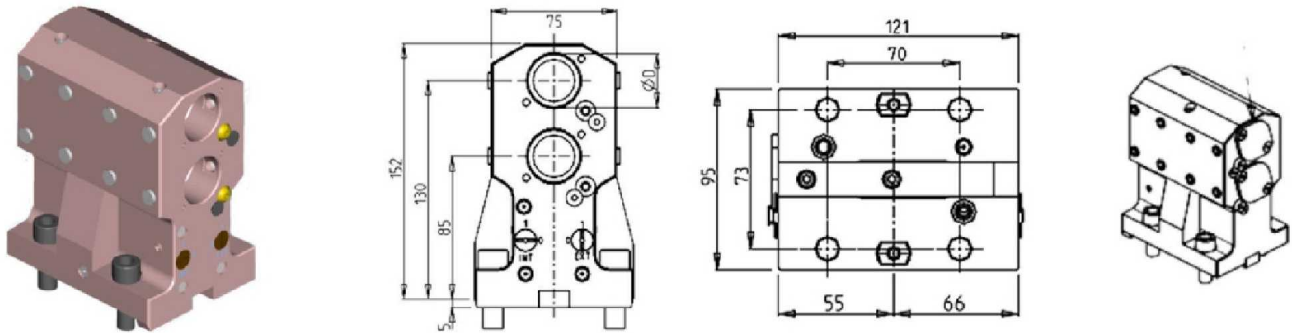
SKT200TTM/TTMS/TTSY - LM2000TTM/TTMS/TTSY - L2000/2100/2600/3000Y/SY - L300M/LM/MS/LMS - SKT250TTM/TTMS/TTSY - LM2500TTM/TTMS/TTSY - SKT250M/LM/MS - SKT300M/LM/MS - SKT-V3RM/LM - KM2600MTTS - LV450RM/LM - HD2600/3100 (BMT65)

STATIC

DOUBLE AXIAL 2+2 BORING BAR HOLDER

These tools will only fit the following machine models:

SKT250M/LM/MS - SKT300M/LM/MS - L300M/LM/MS/LMS - L2000/2600/3000Y/SY - HD2600/3100 (BMT65)

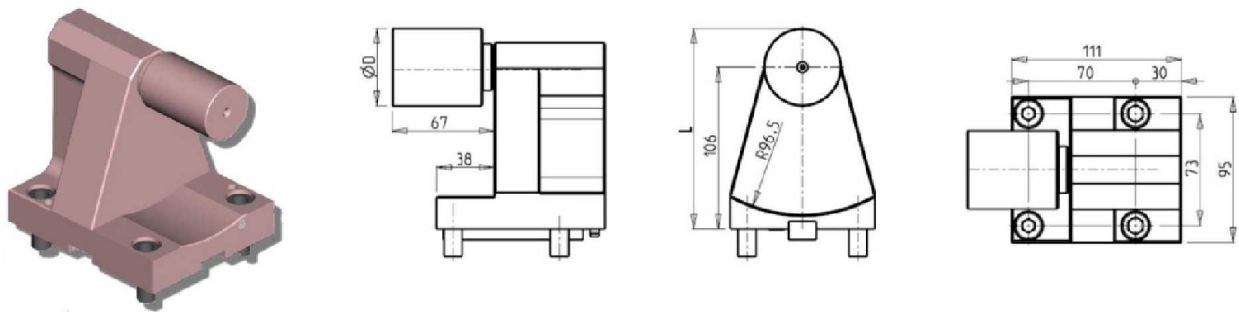


Part Number	Description	# of Tools	Reversible	Cool Thru	Ext. Cool	Dimensions	B
DWO 0213175	Axial Double BBH: 1 1/4"	2+2	X	X	X	Inch	1 1/4"
DWO 0213200	Axial Double BBH: 32mm	2+2	X	X	X	mm	32
KIT 1000001	Plug for 32mm or 1 1/4" BBH to Make Cool Thru						

TAILSTOCK FOR SUBSPINDLE

These tools will only fit the following machine models:

SKT200TTM/TTMS/TTSY - LM2000TTM/TTMS/TTSY - SKT250TTM/TTMS/TTSY - LM2500TTM/TTMS/TTSY - SKT250M/LM/MS - SKT300M/LM/MS - KM2600MTTS - L300M/LM/MS/LMS - L2000/2600/3000Y/SY (BMT65)

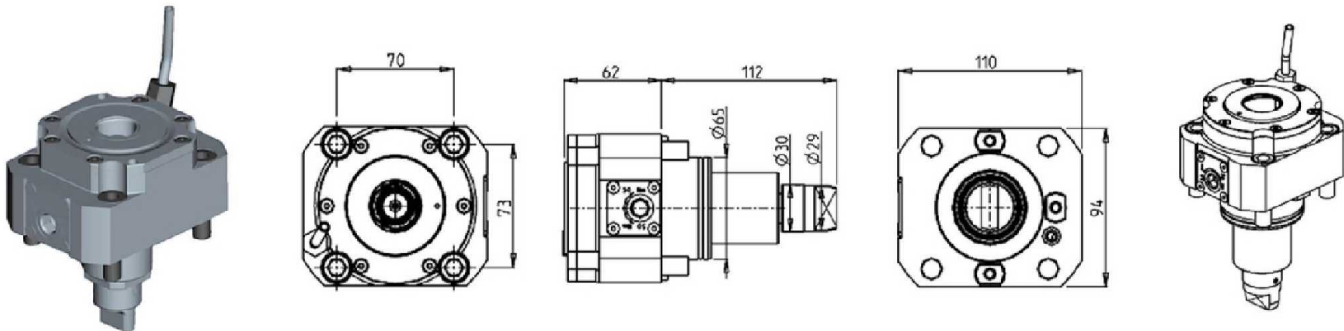


Part Number	Description	# of Tools	D	L
0820200	Tailstock for Sub Spindle 38mm	1	38	125
0820200L	Tailstock for Sub Spindle 2"	1	2"	131.4
080003	Removable Tailstock Center			

SKT200TTM/TTMS/TTSY - LM2000TTM/TTMS/TTSY - L2000/2100/2600/3000Y/SY - L300M/LM/MS/LMS - SKT250TTM/TTMS/TTSY - LM2500TTM/TTMS/TTSY - SKT250M/LM/MS - SKT300M/LM/MS - SKT-V3RM/LM - KM2600MTTS - LV450RM/LM - HD2600/3100 (BMT65)

DRIVEN

RADIAL DRIVEN TOOL CAPTO C4



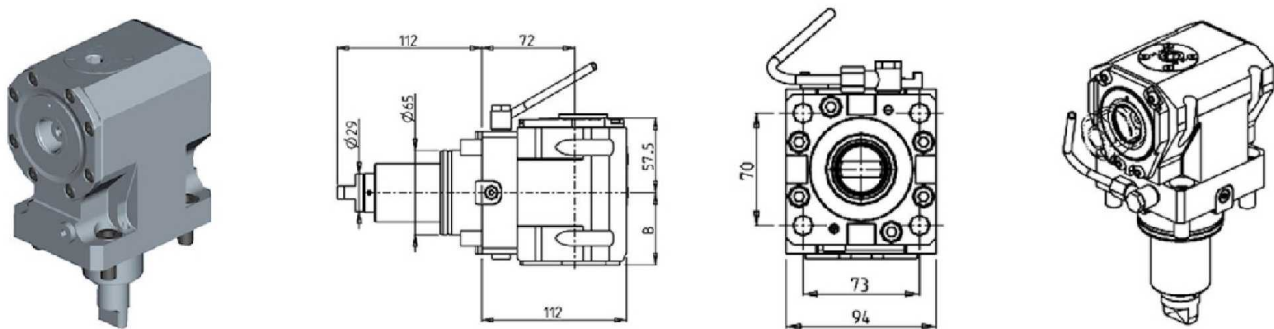
Part Number	Description	Size	I	RPM	Cool Thru	Ext Cool
DWO 3150140	Radial Driven Tool Capto C4	C4	1:1	6000		X
DWO 3150240	Radial Driven Tool Capto C4 Cool Thru*	C4	1:1	6000	X	X

* Coolant Thru tools are designed for 1000 psi. They require 5 Micron Filtration and **CANNOT** be run dry.

AXIAL DRIVEN TOOL CAPTO C4 H=72mm

These tools will NOT fit the following machine models:

KM2600MTTS



Part Number	Description	Size	I	RPM	Reversible	Cool Thru	Ext Cool	B
DWO 3080140	Axial Driven Tool Capto C4	C4	1:1	6000	X		X	55.5
DWO 3080240	Axial Driven Tool Capto C4 Cool Thru*	C4	1:1	6000	X	X	X	66.5

* Coolant Thru tools are designed for 1000 psi. They require 5 Micron Filtration and **CANNOT** be run dry.

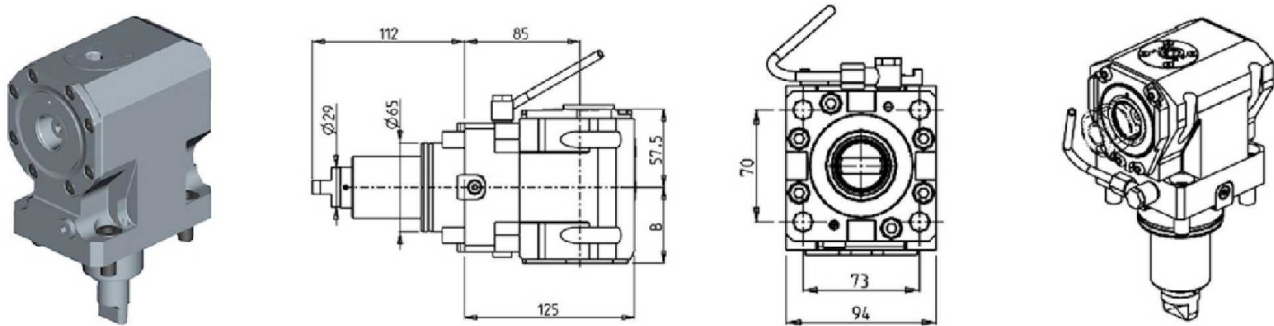
SKT200TTM/TTMS/TTSY - LM2000TTM/TTMS/TTSY - L2000/2100/2600/3000Y/SY - L300M/LM/MS/LMS - SKT250TTM/TTMS/TTSY - LM2500TTM/TTMS/TTSY - SKT250M/LM/MS - SKT300M/LM/MS - SKT-V3RM/LM - KM2600MTTS - LV450RM/LM - HD2600/3100 (BMT65)

DRIVEN

AXIAL DRIVEN TOOL CAPTO C4 H=85mm

These tools will NOT fit the following machine models:

KM2600MTTS



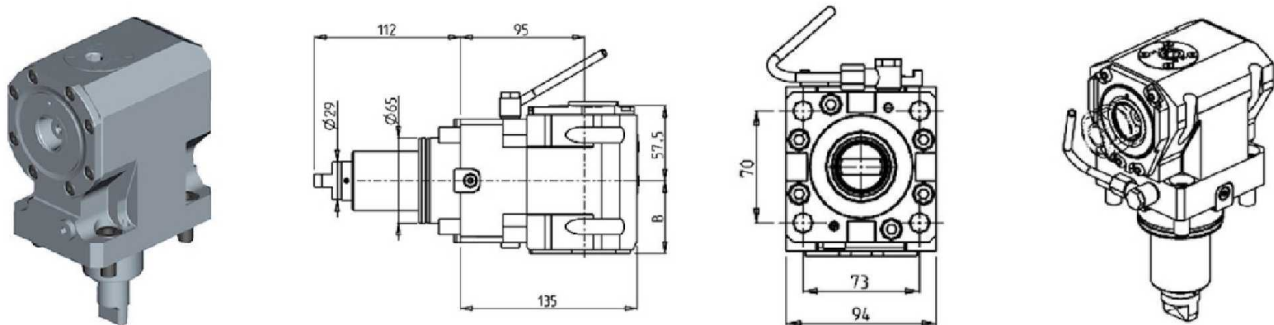
Part Number	Description	Size	I	RPM	Reversible	Cool Thru	Ext Cool	B
DWO 3110140	Axial Driven Tool Capto C4	C4	1:1	6000	X		X	55.5
DWO 3110240	Axial Driven Tool Capto C4 Cool Thru*	C4	1:1	6000	X	X	X	66.5

* Coolant Thru tools are designed for 1000 psi. They require 5 Micron Filtration and **CANNOT** be run dry.

AXIAL DRIVEN TOOL CAPTO C4 H=95mm

These tools will NOT fit the following machine models:

KM2600MTTS



Part Number	Description	Size	I	RPM	Reversible	Cool Thru	Ext Cool	B
DWO 3120140	Axial Driven Tool Capto C4	C4	1:1	6000	X		X	55.5
DWO 3120240	Axial Driven Tool Capto C4 Cool Thru*	C4	1:1	6000	X	X	X	66.5

* Coolant Thru tools are designed for 1000 psi. They require 5 Micron Filtration and **CANNOT** be run dry.

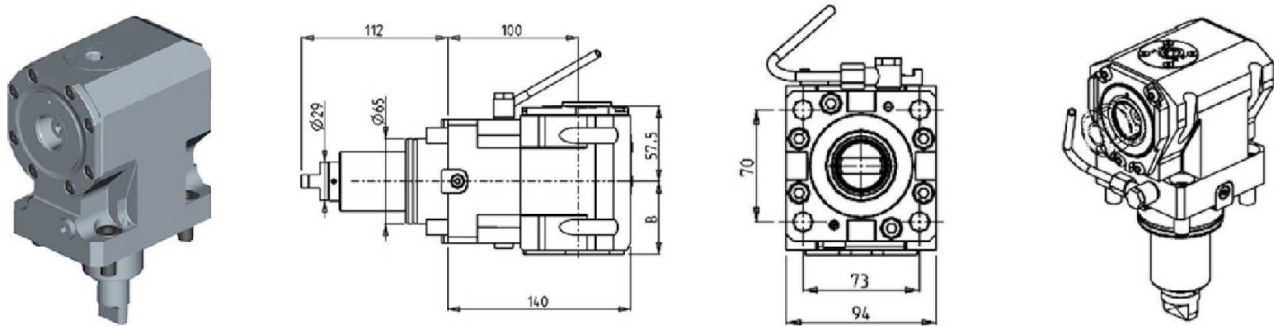
SKT200TTM/TTMS/TTSY - LM2000TTM/TTMS/TTSY - L2000/2100/2600/3000Y/SY - L300M/LM/MS/LMS - SKT250TTM/TTMS/TTSY - LM2500TTM/TTMS/TTSY - SKT250M/LM/MS - SKT300M/LM/MS - SKT-V3RM/LM - KM2600MTTS - LV450RM/LM - HD2600/3100 (BMT65)

DRIVEN

AXIAL DRIVEN TOOL CAPTO C4 H=100mm

These tools will NOT fit the following machine models:

KM2600MTTS



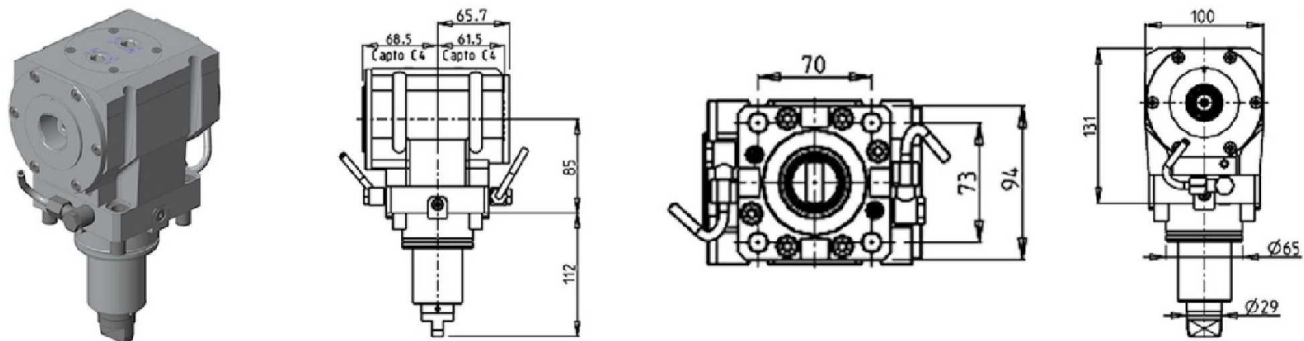
Part Number	Description	Size	I	RPM	Reversible	Cool Thru	Ext Cool	B
DWO 3130140	Axial Driven Tool Capto C4	C4	1:1	6000	X		X	55.5
DWO 3130240	Axial Driven Tool Capto C4 Cool Thru*	C4	1:1	6000	X	X	X	66.5

* Coolant Thru tools are designed for 1000 psi. They require 5 Micron Filtration and **CANNOT** be run dry.

AXIAL OPPOSITE FACE TWIN DRIVEN TOOL CAPTO C4 H=85mm

These tools will only fit the following machine models:

SKT200TTM/TTMS/TTSY - LM2000TTM/TTMS/TTSY - SKT250TTM/TTMS/TTSY - LM2500TTM/TTMS/TTSY - SKT250M/LM/MS - SKT300M/LM/MS - L300M/LM/MS/LMS - L2000/2600/3000Y/SY - HD2600/3100 (BMT65)



Part Number	Description	Size	I	RPM	Reversible	Ext Cool
DWO 3140240	Axial Opposite Face Twin Capto C4+C4	C4+C4	1:1	6000	X	X

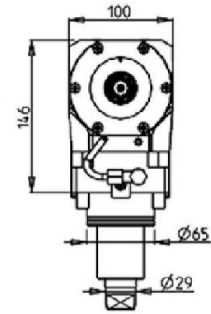
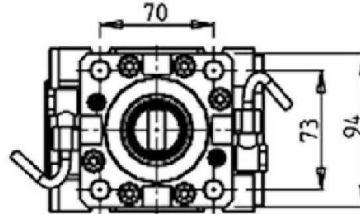
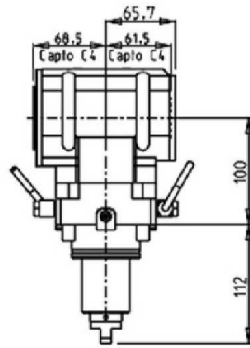
SKT200TTM/TTMS/TTSY - LM2000TTM/TTMS/TTSY - L2000/2100/2600/3000Y/SY - L300M/LM/MS/LMS - SKT250TTM/TTMS/TTSY - LM2500TTM/TTMS/TTSY - SKT250M/LM/MS - SKT300M/LM/MS - SKT-V3RM/LM - KM2600MTTS - LV450RM/LM - HD2600/3100 (BMT65)

DRIVEN

AXIAL OPPOSITE FACE TWIN DRIVEN TOOL CAPTO C4 H=100mm

These tools will only fit the following machine models:

SKT200TTM/TTMS/TTSY - LM2000TTM/TTMS/TTSY - SKT250TTM/TTMS/TTSY - LM2500TTM/TTMS/TTSY - SKT250M/LM/MS - SKT300M/LM/MS - L300M/LM/MS/LMS - L2000/2600/3000Y/SY - HD2600/3100 (BMT65)

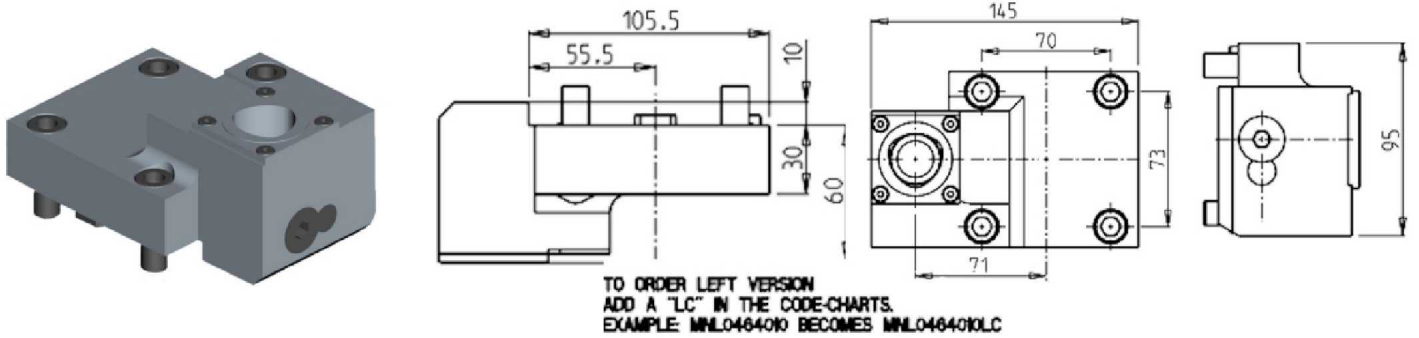


Part Number	Description	Size	I	RPM	Reversible	Ext Cool
DWO 3770240	Axial Opposite Face Twin Capto C4+C4	C4+C4	1:1	6000	X	X

SKT200TTM/TTMS/TTSY - LM2000TTM/TTMS/TTSY - L2000/2100/2600/3000Y/SY - L300M/LM/MS/LMS - SKT250TTM/TTMS/TTSY - LM2500TTM/TTMS/TTSY - SKT250M/LM/MS - SKT300M/LM/MS - SKT-V3RM/LM - KM2600MTTS - LV450RM/LM - HD2600/3100 (BMT65)

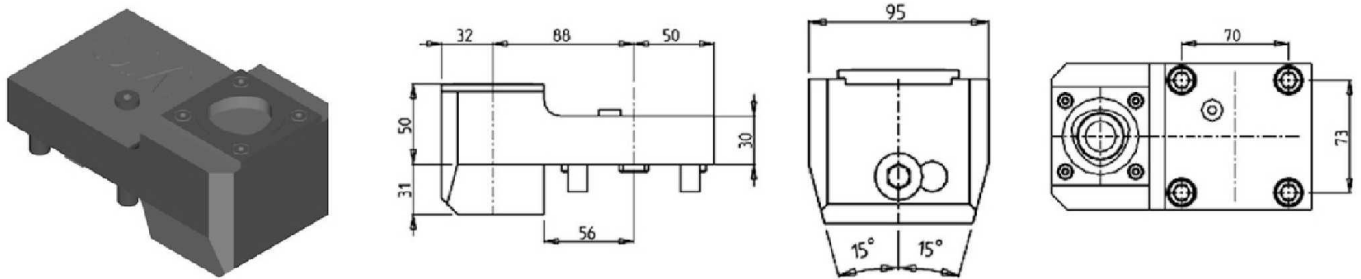
STATIC

RADIAL SINGLE REAR-SET STATIC TOOL CAPTO C4



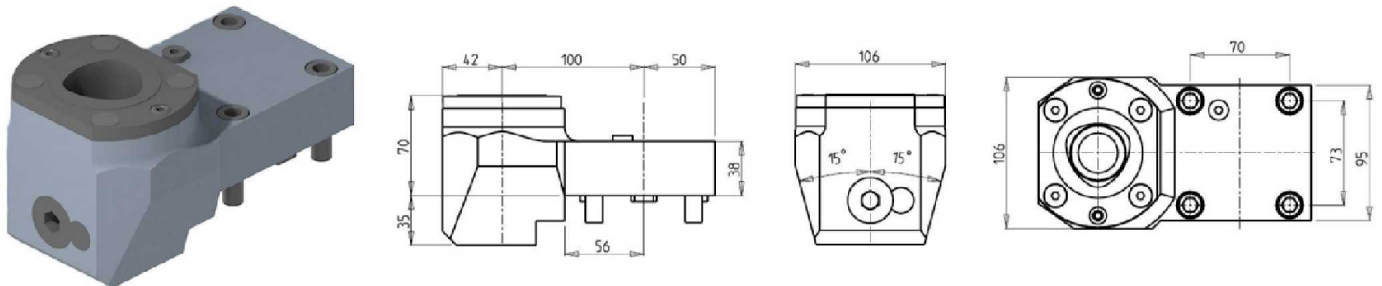
Part Number	Description	# of Tools	Cool Thru	Ext Cool	Reversible	Size
DWO 1384010	Rear-Set Radial Static Capto C4 Right Hand	1	X	X	X	C4
DWO 1384010LC	Rear-Set Radial Static Capto C4 Left Hand	1	X	X	X	C4

RADIAL SINGLE REAR-SET STATIC TOOL CAPTO C5



Part Number	Description	# of Tools	Cool Thru	Ext Cool	Reversible	Size
DWO 3505010	Radial Single Rear Set Capto C5 Right Hand	1	X	X	X	C5
DWO 3505010LC	Radial Single Rear Set Capto C5 Left Hand	1	X	X	X	C5

RADIAL SINGLE REAR-SET STATIC CAPTO C6

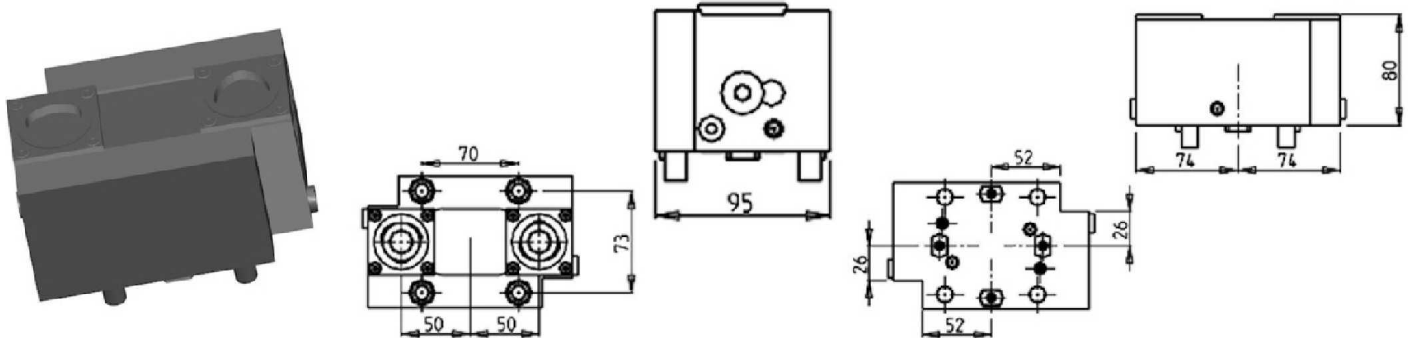


Part Number	Description	# of Tools	Cool Thru	Ext Cool	Reversible	Size
DWO 3176010	Radial Single Rear-Set Capto C6 Right Hand	1	X	X	X	C6
DWO 3176010LC	Radial Single Rear-Set Capto C6 Left Hand	1	X	X	X	C6

SKT200TTM/TTMS/TTSY - LM2000TTM/TTMS/TTSY - L2000/2100/2600/3000Y/SY - L300M/LM/MS/LMS - SKT250TTM/TTMS/TTSY - LM2500TTM/TTMS/TTSY - SKT250M/LM/MS - SKT300M/LM/MS - SKT-V3RM/LM - KM2600MTTS - LV450RM/LM - HD2600/3100 (BMT65)

STATIC

RADIAL DOUBLE STATIC TOOL CAPTO C4



Part Number	Description	# of Tools	Cool Thru	Ext Cool	Reversible	Size
DWO 3424020	Radial Double Static Tool C4 Right Hand	1+1	X	X	X	C4
DWO 3424020LC	Radial Double Static Tool C4 Left Hand	1+1	X	X	X	C4

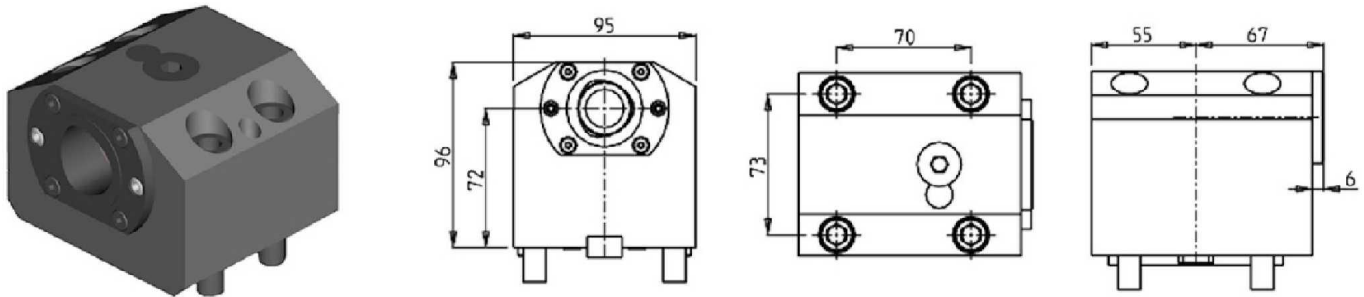
SKT200TTM/TTMS/TTSY - LM2000TTM/TTMS/TTSY - L2000/2100/2600/3000Y/SY - L300M/LM/MS/LMS - SKT250TTM/TTMS/TTSY - LM2500TTM/TTMS/TTSY - SKT250M/LM/MS - SKT300M/LM/MS - SKT-V3RM/LM - KM2600MTTS - LV450RM/LM - HD2600/3100 (BMT65)

STATIC

AXIAL SINGLE STATIC TOOL CAPTO C4

These tools will only fit the following machine models:

SKT250M/LM/MS - SKT300M/LM/MS - L300M/LM/MS/LMS - L2000/2100/2600/3000Y/SY - HD2600/3100 (BMT65)

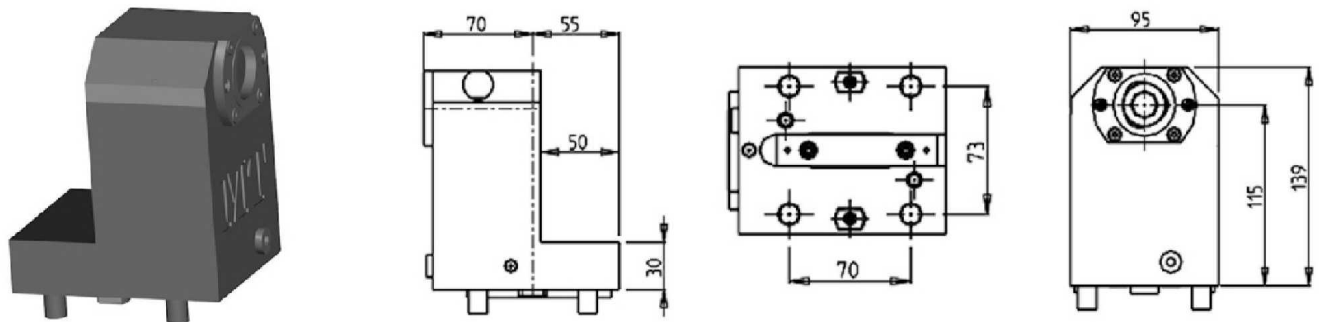


Part Number	Description	# of Tools	Cool Thru	Reversible	Size
DWO 2644010	Axial Single Static Tool Capto C4 Right Hand	1	X	X	C4
DWO 2644010LC	Axial Single Static Tool Capto C4 Left Hand	1	X	X	C4

AXIAL SINGLE STATIC TOOL CAPTO C4

These tools will only fit the following machine models:

SKT200TTM/TTMS/TTSY - LM2000TTM/TTMS/TTSY - L2000/2600/3000Y/SY - L300M/LM/MS/LMS - SKT250TTM/TTMS/TTSY - LM2500TTM/TTMS/TTSY - SKT250M/LM/MS - SKT300M/LM/MS - KM2600MTTS - LV450RM/LM - HD2600/3100 (BMT65)



Part Number	Description	# of Tools	Cool Thru	Ext Cool	Reversible	Size
DWO 3414010	Axial Single Static Tool C4 Right Hand	1	X	X	X	C4
DWO 3414010LC	Axial Single Static Tool C4 Left Hand	1	X	X	X	C4

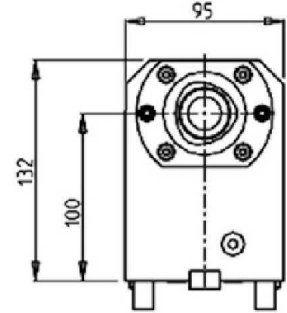
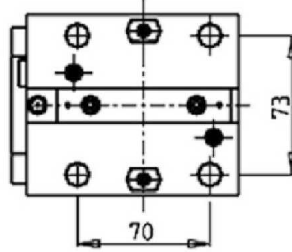
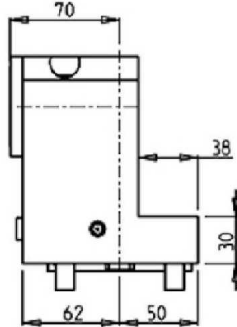
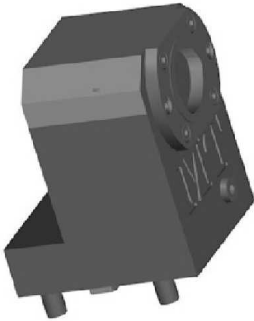
SKT200TTM/TTMS/TTSY - LM2000TTM/TTMS/TTSY - L2000/2100/2600/3000Y/SY - L300M/LM/MS/LMS - SKT250TTM/TTMS/TTSY - LM2500TTM/TTMS/TTSY - SKT250M/LM/MS - SKT300M/LM/MS - SKT-V3RM/LM - KM2600MTTS - LV450RM/LM - HD2600/3100 (BMT65)

STATIC

AXIAL SINGLE STATIC TOOL CAPTO C5

These tools will only fit the following machine models:

SKT200TTM/TTMS/TTSY - LM2000TTM/TTMS/TTSY - L2000/2600/3000Y/SY - L300M/LM/MS/LMS - SKT250TTM/TTMS/TTSY - LM2500TTM/TTMS/TTSY - SKT250M/LM/MS - SKT300M/LM/MS - LV450RM/LM - HD2600/3100 (BMT65)

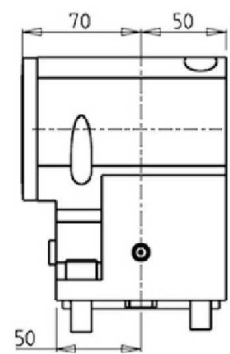
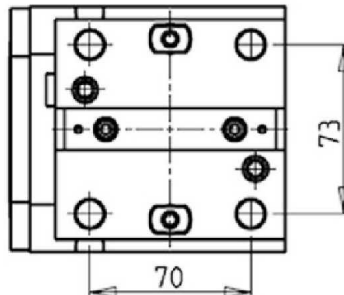
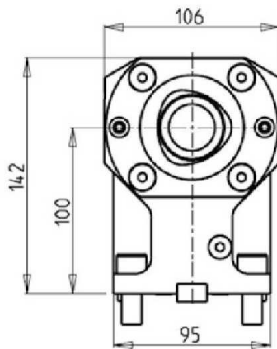


Part Number	Description	# of Tools	Cool Thru	Ext Cool	Reversible	Size
DWO 3515010	Axial Single Static Tool C5 Right Hand	1	X	X	X	C5
DWO 3515010LC	Axial Single Static Tool C5 Left Hand	1	X	X	X	C5

AXIAL SINGLE STATIC TOOL CAPTO C6

These tools will only fit the following machine models:

SKT200TTM/TTMS/TTSY - LM2000TTM/TTMS/TTSY - L2000/2600/3000Y/SY - L300M/LM/MS/LMS - SKT250TTM/TTMS/TTSY - LM2500TTM/TTMS/TTSY - SKT250M/LM/MS - SKT300M/LM/MS - LV450RM/LM - HD2600/3100 (BMT65)



Part Number	Description	# of Tools	Cool Thru	Ext Cool	Reversible	Size
DWO 3166010	Axial Single Static Tool Capto C6 Right Hand	1	X	X	X	C6
DWO 3166010LC	Axial Single Static Tool Capto C6 Left Hand	1	X	X	X	C6

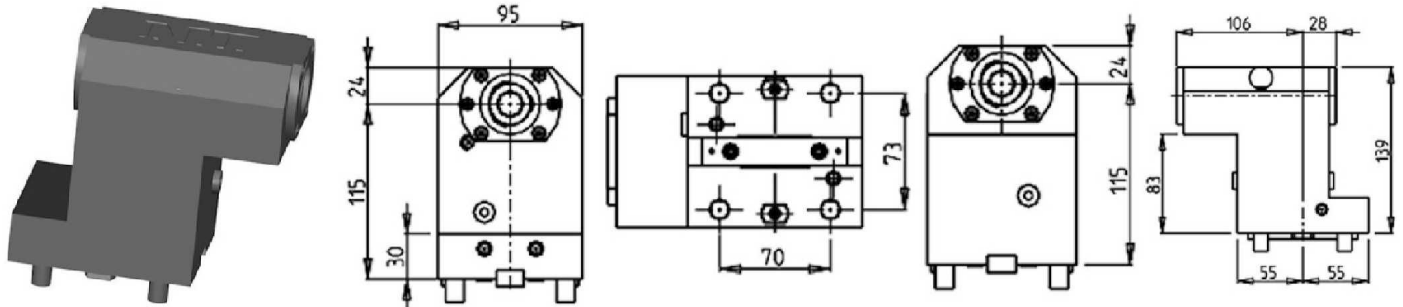
SKT200TTM/TTMS/TTSY - LM2000TTM/TTMS/TTSY - L2000/2100/2600/3000Y/SY - L300M/LM/MS/LMS - SKT250TTM/TTMS/TTSY - LM2500TTM/TTMS/TTSY - SKT250M/LM/MS - SKT300M/LM/MS - SKT-V3RM/LM - KM2600MTTS - LV450RM/LM - HD2600/3100 (BMT65)

STATIC

AXIAL OPPOSITE FACE REAR-SET TWIN STATIC TOOL CAPTO C4

These tools will only fit the following machine models:

SKT200TTM/TTMS/TTSY - LM2000TTM/TTMS/TTSY - L2000/2600/3000Y/SY - SKT250TTM/TTMS/TTSY - LM2500TTM/TTMS/TTSY - SKT250M/LM/MS - SKT300M/LM/MS - L300M/LM/MS/LMS - KM2600MTTS - HD2600/3100 (BMT65)

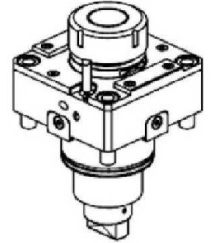
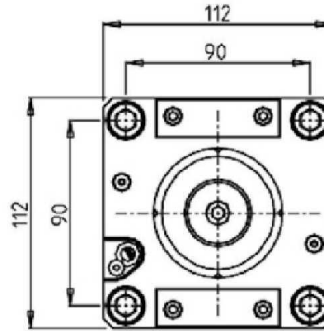
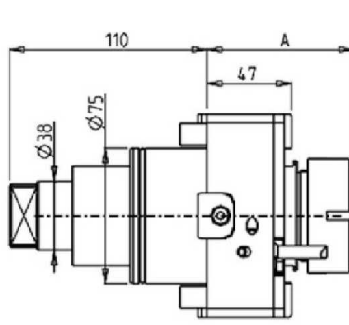
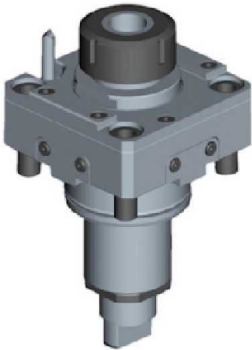


Part Number	Description	# of Tools	Cool Thru	Ext Cool	Reversible	Size
DWO 3404020	Axial Opposite Face C4 Right Hand	1+1	X	X	X	C4
DWO 3404020LC	Axial Opposite Face C4 Left Hand	1+1	X	X	X	C4

SKT400M/LMC - L400/500 MA/MC/LMC - SKT-V80RM/LM - LV500RM/LM - LV800RM/LM - LV8500RM/LM (BMT75)

DRIVEN

RADIAL DRIVEN TOOL

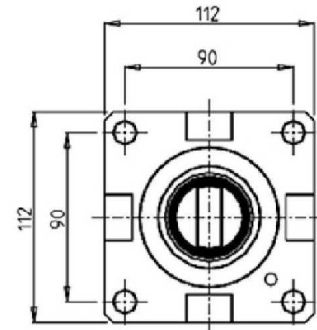
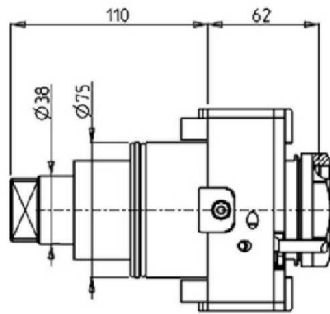


Part Number	Description	Spindle	I	RPM	Cool Thru	Ext Cool	A
DWO 1560332	Radial ERA32	ERA32	1:1	6000		X	50
DWO 1560432	Radial ERA32 Cool Thru* 30 BAR	ERA32	1:1	6000	30 BAR	X	50
DWO 1560140	Radial ER40	ER40	1:1	6000		X	81.7
DWO 3390240	Radial ER40 Cool Thru* 70 BAR	ER40	1:1	6000	70 BAR	X	91.7

* Coolant Thru tools are designed for 400/1000 psi.
They require 5 Micron Filtration and **CANNOT** be run dry.
30 BAR=400 PSI 70 BAR=1000 PSI

QUICK CHANGE RADIAL MTSK-50 DRIVEN TOOL

See Accessories for MTSK Quick Change Tool Holder Clamps



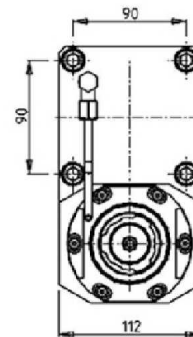
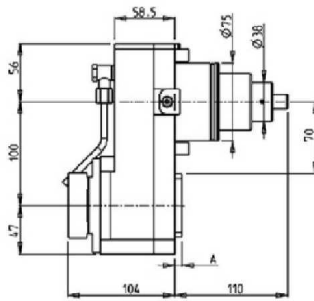
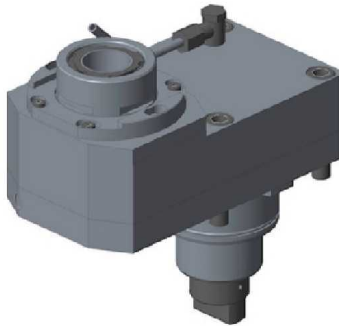
Part Number	Description	Spindle	I	RPM	Cool Thru	Ext Cool
DWO 2130150	Radial MTSK-50	MTSK-50	1:1	6000		X
DWO 2130250	Radial MTSK-50 Cool Thru*	MTSK-50	1:1	6000	X	X

*Coolant Thru tools are designed for 400 psi MAX.
They require 5 Micron Filtration and **CANNOT** be run dry.

SKT400M/LMC - L400/500 MA/MC/LMC - SKT-V80RM/LM - LV500RM/LM - LV800RM/LM - LV8500RM/LM (BMT75)

DRIVEN

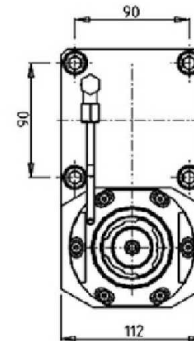
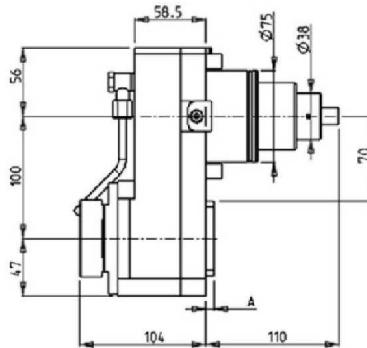
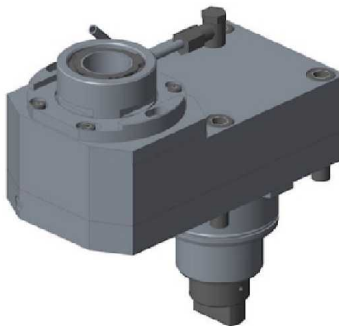
RADIAL DRIVEN TOOL RE-DIRECTED IN Z BY 100mm



Part Number	Description	Spindle	I	RPM	Cool Thru	Ext Cool	A
DWO 1991140	Radial ERA40 Re-Directed in Z by 100mm	ERA40	1:1	6000		X	7
DWO 1992240	Radial ERA40 Re-Directed in Z by 100mm Cool Thru*	ERA40	1:1	6000	X	X	18

* Coolant Thru tools are designed for 1000 psi.
They require 5 Micron Filtration and **CANNOT** be run dry.

RADIAL GEARED-DOWN 2:1 DRIVEN TOOL RE-DIRECTED IN Z BY 100mm



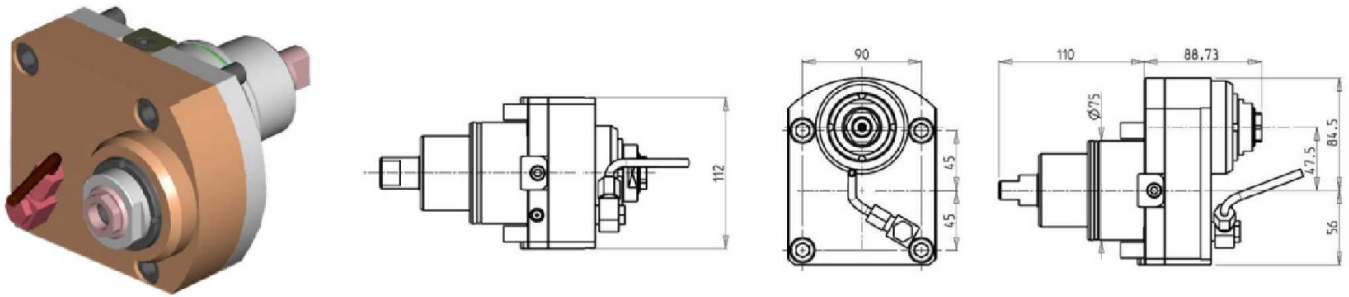
Part Number	Description	Spindle	I	RPM	Cool Thru	Ext Cool	A
DWO 1992140	Radial ERA40 Geared-Down Re-Directed in Z by 100mm	ERA40	2:1	3000		X	7
DWO 1994240	Radial ERA40 Geared-Down Re-Directed in Z by 100mm Cool Thru*	ERA40	2:1	3000	X	X	18

* Coolant Thru tools are designed for 1000 psi.
They require 5 Micron Filtration and **CANNOT** be run dry.

SKT400M/LMC - L400/500 MA/MC/LMC - SKT-V80RM/LM - LV500RM/LM - LV800RM/LM - LV8500RM/LM (BMT75)

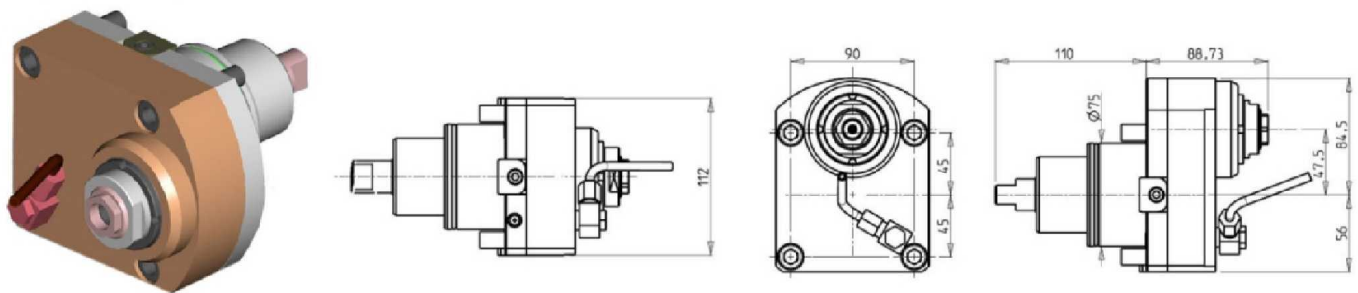
DRIVEN

RADIAL RE-DIRECTED DRIVEN TOOL IN Z BY 47.5mm



Part Number	Description	Reversible	Spindle	I	RPM	Ext. Cool
DWO 0430120	Radial Re-Directed Driven Tool	X	ERA20	1:1	6000	X

RADIAL GEARED-UP 1:2 RE-DIRECTED DRIVEN TOOL IN Z BY 47.5mm

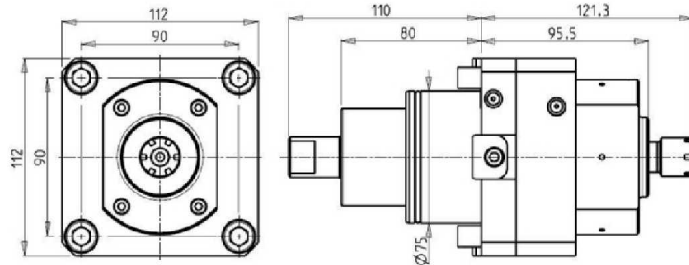
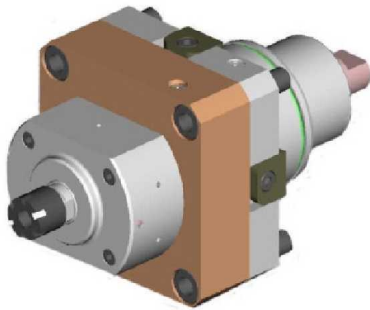


Part Number	Description	Reversible	Spindle	I	RPM	Ext. Cool
DWO 0430220	Geared-Up Re-Directed Driven Tool ERA20	X	ERA20	1:2	12000	X

SKT400M/LMC - L400/500 MA/MC/LMC - SKT-V80RM/LM - LV500RM/LM - LV800RM/LM - LV8500RM/LM (BMT75)

DRIVEN

RADIAL GEARED-UP 1:4 DRIVEN TOOL



Part Number	Description	Spindle	I	RPM	Cool Thru
DWO 0450116	Radial Geared-Up ER16 1:4	ER16	1:4	16000	X

* Coolant Thru tools are designed for 400 psi.
They require 5 Micron Filtration and **CANNOT** be run dry.

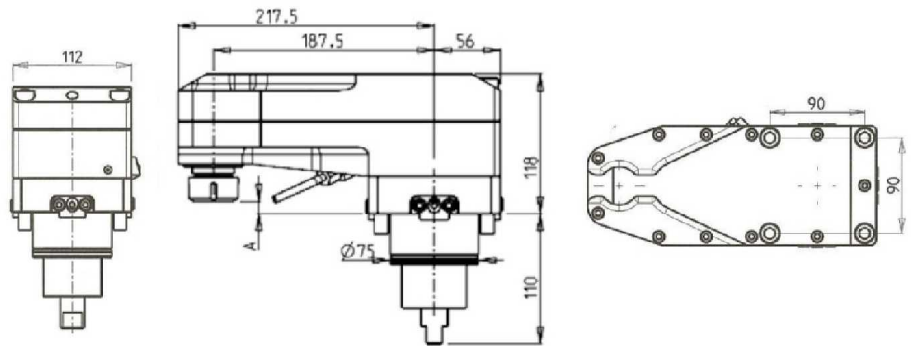
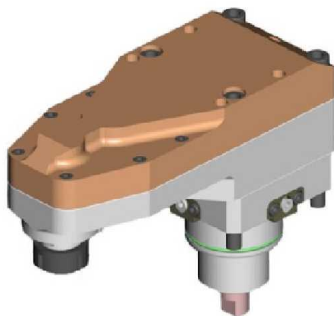
Note :

Wrenches are provided with the purchase of Specialty Toolholders

RADIAL INVERTED DRIVEN TOOL RE-DIRECTED IN Z BY 187.5mm

These tools will only fit the following machine models:

SKT400M/LMC - L400/500 MA/MC/LMC - LV500RM/LM - LV800RM/LM - LV8500RM/LM (BMT75)

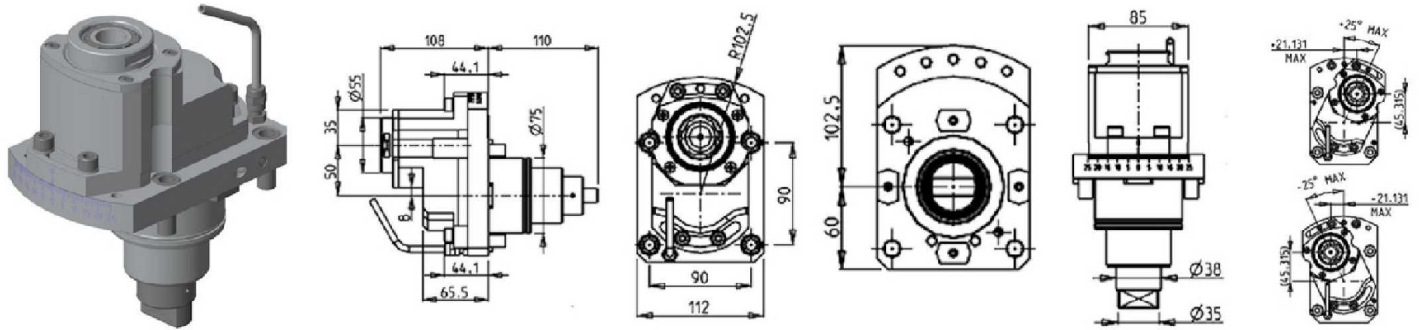


Part Number	Description	Spindle	I	RPM	Ext. Cool	A
0841225	Radial Inverted Driven Tool in Z	ER25	1:2	8000	X	8.84
0841232	Radial Inverted Driven Tool in Z	ER32	1:2	8000	X	3.66

SKT400M/LMC - L400/500 MA/MC/LMC - SKT-V80RM/LM - LV500RM/LM - LV800RM/LM - LV8500RM/LM (BMT75)

DRIVEN

RADIAL ±25° ADJUSTABLE ANGLE DRIVEN TOOL REDIRECTED BY 50mm



Part Number	Description	Spindle	I	RPM	Reversible	Ext Cool
DWO 2980332	Radial ±25° Adjustable Angle ERA32	ERA32	1:1	6000	X	X

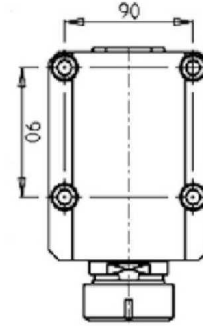
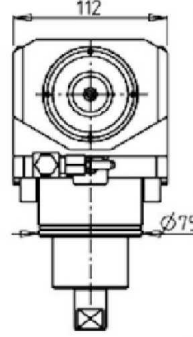
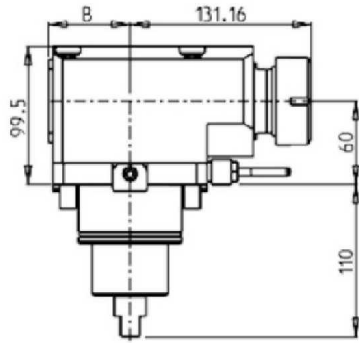
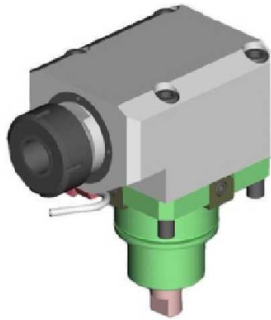
SKT400M/LMC - L400/500 MA/MC/LMC - SKT-V80RM/LM - LV500RM/LM - LV800RM/LM - LV8500RM/LM (BMT75)

DRIVEN

AXIAL DRIVEN TOOL H=60mm

These tools will only fit the following machine models:

SKT-V80RM/LM - LV800RM/LM (BMT75)



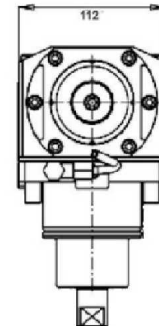
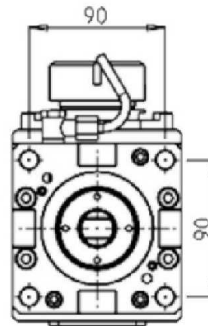
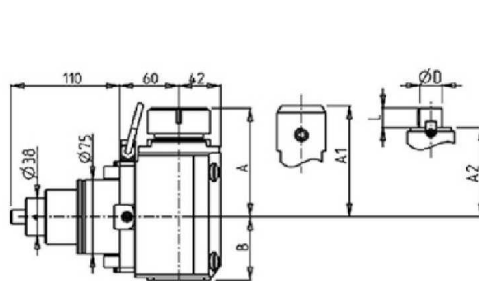
Part Number	Description	Spindle	I	RPM	Cool Thru	Ext. Cool	B
0330840	Axial ER40 BMT75	ER40	1:1	6000		X	59
0331040	Axial ER40 BMT75 Cool Thru*	ER40	1:1	6000	X	X	70

* Coolant Thru tools are designed for 1000 psi. They require 5 Micron Filtration and **CANNOT** be run dry.

AXIAL REINFORCED DRIVEN TOOL H=60mm

These tools will only fit the following machine models:

SKT-V80RM/LM - LV800RM/LM (BMT75)



Part Number	Description	Spindle	I	RPM	Cool Thru	Ext. Cool	A	A1	A2	B	D	L
DWO 0680140	Axial Reinforced ER40	ER40	1:1	6000		X	109.7			64		
DWO 0680240	Axial Reinforced ER40 Cool Thru*	ER40	1:1	6000	X	X	109.7			76.5		
DWO 0680725	Axial Reinforced Weldon 25	Weldon25	1:1	6000		X	109.5			64		
DWO 0680825	Axial Reinforced Weldon 25 Cool Thru*	Weldon25	1:1	6000	X	X	109.5			76.5		
DWO 0680522	Axial Reinforced Mill Head $\phi 22 \times 19$	$\phi 22 \times 19$	1:1	6000		X			89	64	22	19

* Coolant Thru tools are designed for 1000 psi. They require 5 Micron Filtration and **CANNOT** be run dry.

SKT400M/LMC - L400/500 MA/MC/LMC - SKT-V80RM/LM - LV500RM/LM - LV800RM/LM - LV8500RM/LM (BMT75)

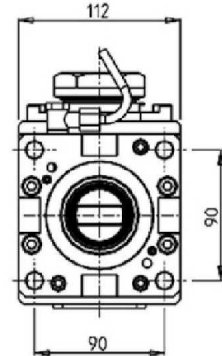
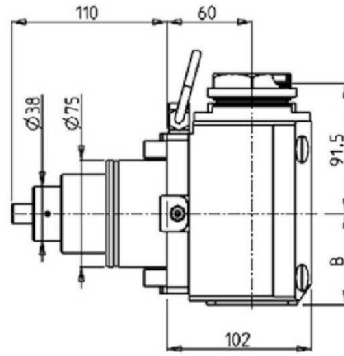
DRIVEN

QUICK CHANGE AXIAL MTSK-50 REINFORCED DRIVEN TOOL H=60mm

These tools will only fit the following machine models:

SKT-V80RM/LM - LV800RM/LM (BMT75)

See Accessories for MTSK Quick Change Tool Holder Clamps



Part Number	Description	Spindle	I	RPM	Reversible	Cool Thru	Ext Cool	B
DWO 2140150	Axial MTSK-50	MTSK-50	1:1	6000	X		X	64
DWO 2140250	Axial MTSK-50 Cool Thru*	MTSK-50	1:1	6000	X	X	X	76.5

* Coolant Thru tools are designed for 1000 psi. They require 5 Micron Filtration and **CANNOT** be run dry.

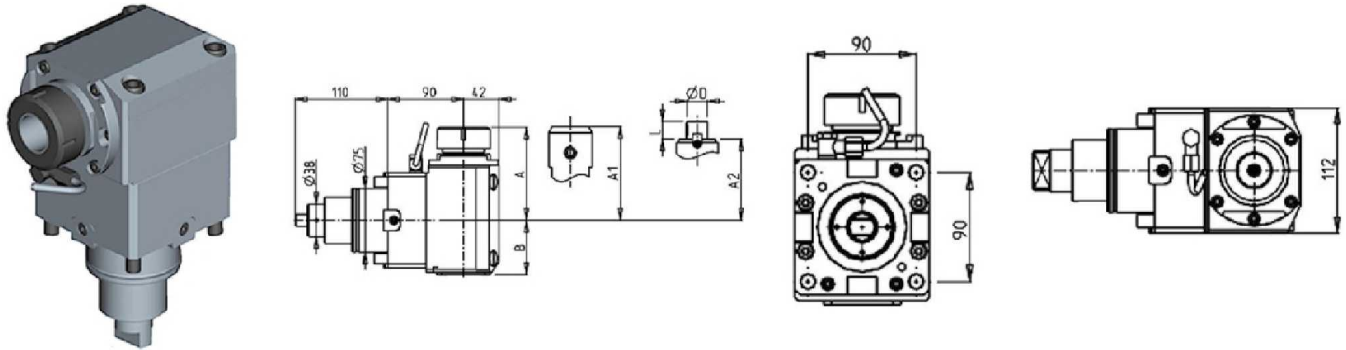
SKT400M/LMC - L400/500 MA/MC/LMC - SKT-V80RM/LM - LV500RM/LM - LV800RM/LM - LV8500RM/LM (BMT75)

DRIVEN

AXIAL REINFORCED DRIVEN TOOL H=90mm

These tools will only fit the following machine models:

SKT400M/LMC - L400/500 MA/MC/LMC - LV500RM/LM - LV8500RM/LM (BMT75)



Part Number	Description	Spindle	I	RPM	Cool Thru	Ext. Cool	A	A1	A2	B	D	L
DWO 0650140	Axial ER40 Reinforced	ER40	1:1	6000		X	109.7			64		
DWO 0650240	Axial ER40 Reinforced Cool Thru*	ER40	1:1	6000	X	X	109.7			76.5		
DWO 0650725	Axial Reinforced Weldon25	Weldon25	1:1	6000		X	109.5			64		
DWO 0650825	Axial Reinforced Weldon25 Cool Thru*	Weldon25	1:1	6000	X	X	109.5			76.5		
DWO 0650522	Axial Reinforced Mill Head Ø22x19	Ø22x19	1:1	6000	X	X			89	64	22	19

* Coolant Thru tools are designed for 1000 psi. They require 5 Micron Filtration and **CANNOT** be run dry.

SKT400M/LMC - L400/500 MA/MC/LMC - SKT-V80RM/LM - LV500RM/LM - LV800RM/LM - LV8500RM/LM (BMT75)

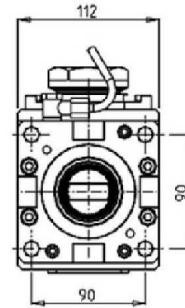
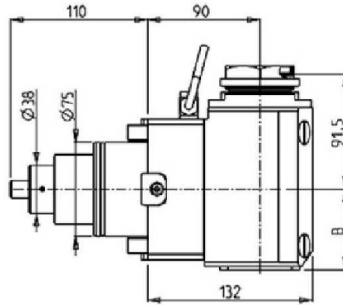
DRIVEN

QUICK CHANGE AXIAL MTSK-50 REINFORCED DRIVEN TOOL H=90mm

These tools will only fit the following machine models:

SKT400M/LMC - L400/500 MA/MC/LMC - LV500RM/LM - LV8500RM/LM (BMT75)

See Accessories for MTSK Quick Change Tool Holder Clamps



Part Number	Description	Spindle	I	RPM	Reversible	Cool Thru	Ext Cool	B
DWO 2150150	Axial Reinforced MTSK-50	MTSK-50	1:1	6000	X		X	64
DWO 2150250	Axial Reinforced MTSK-50 Cool Thru*	MTSK-50	1:1	6000	X	X	X	76.5

* Coolant Thru tools are designed for 1000 psi.
They require 5 Micron Filtration and **CANNOT** be run dry.

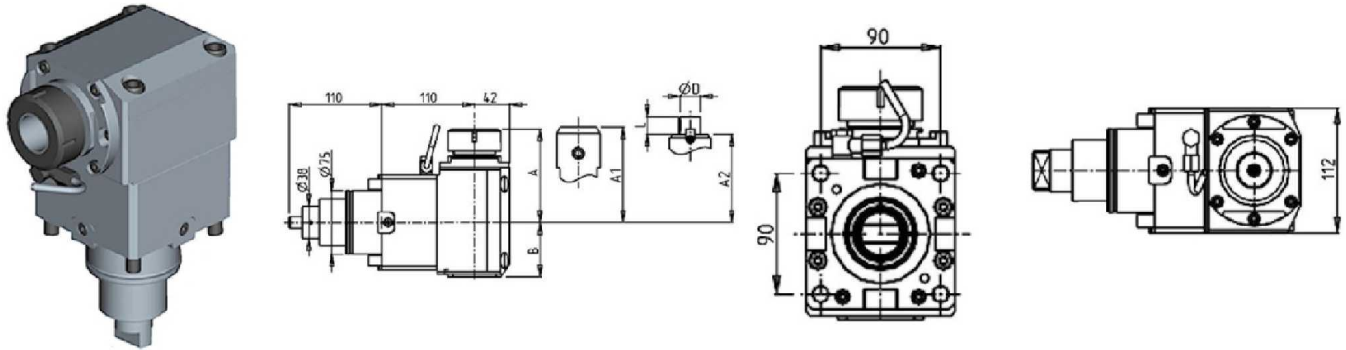
SKT400M/LMC - L400/500 MA/MC/LMC - SKT-V80RM/LM - LV500RM/LM - LV800RM/LM - LV8500RM/LM (BMT75)

DRIVEN

AXIAL REINFORCED DRIVEN TOOL H=110mm

These tools will only fit the following machine models:

SKT400M/LMC - L400/500 MA/MC/LMC - LV8500RM/LM (BMT75)



Part Number	Description	Spindle	I	RPM	Cool Thru	Ext. Cool	A	A1	A2	B	D	L
DWO 1340140	Axial ER40 Reinforced	ER40	1:1	6000		X	109.7			64		
DWO 1340240	Axial ER40 Reinforced Cool Thru*	ER40	1:1	6000	X	X	109.7			76.5		
DWO 1340725	Axial Reinforced Weldon25	Weldon25	1:1	6000		X		109.5		64		
DWO 1340825	Axial Reinforced Weldon25 Cool Thru*	Weldon25	1:1	6000	X	X		109.5		76.5		
DWO 1340522	Axial Reinforced Mill Head $\varnothing 22 \times 19$	$\varnothing 22 \times 19$	1:1	6000	X	X			89	64	22	19

* Coolant Thru tools are designed for 1000 psi.
They require 5 Micron Filtration and **CANNOT** be run dry.

SKT400M/LMC - L400/500 MA/MC/LMC - SKT-V80RM/LM - LV500RM/LM - LV800RM/LM - LV8500RM/LM (BMT75)

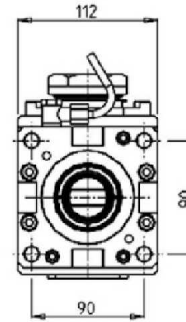
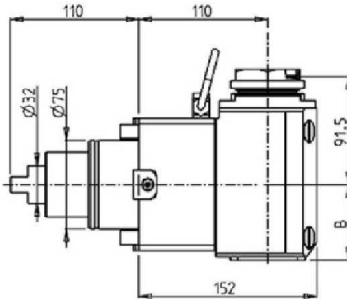
DRIVEN

QUICK CHANGE AXIAL MTSK-50 REINFORCED DRIVEN TOOL H=110mm

These tools will only fit the following machine models:

SKT400M/LMC - L400/500 MA/MC/LMC - LV8500RM/LM (BMT75)

See Accessories for MTSK Quick Change Tool Holder Clamps



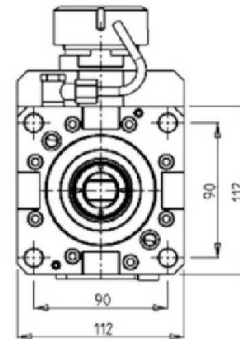
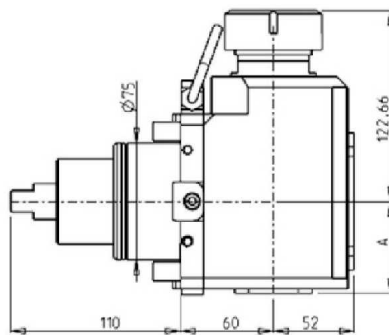
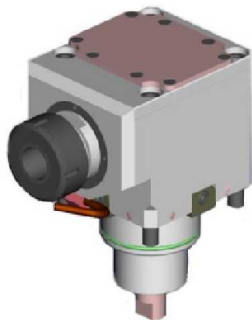
Part Number	Description	Spindle	I	RPM	Reversible	Cool Thru	Ext Cool	B
DWO 2160150	Axial Reinforced MTSK-50	MTSK-50	1:1	6000	X		X	64
DWO 2160250	Axial Reinforced MTSK-50 Cool Thru*	MTSK-50	1:1	6000	X	X	X	76.5

* Coolant Thru tools are designed for 1000 psi. They require 5 Micron Filtration and **CANNOT** be run dry.

AXIAL GEARED-DOWN 2:1 DRIVEN TOOL H=60mm

These tools will only fit the following machine models:

SKT-V80RM/LM - LV800RM/LM (BMT75)



Part Number	Description	Reversible	Spindle	I	RPM	Cool Thru	Ext. Cool	A
DWO 0470140	Axial Geared-Down 2:1 ER40	X	ER40	2:1	3000		X	59
DWO 0470240	Axial Geared-Down 2:1 ER40 Cool Thru*	X	ER40	2:1	3000	X	X	70

* Coolant Thru tools are designed for 1000 psi. They require 5 Micron Filtration and **CANNOT** be run dry.

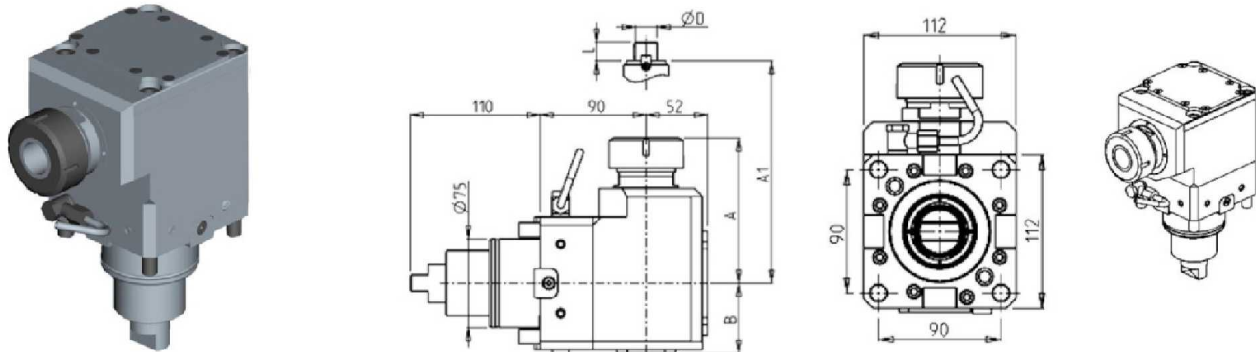
SKT400M/LMC - L400/500 MA/MC/LMC - SKT-V80RM/LM - LV500RM/LM - LV800RM/LM - LV8500RM/LM (BMT75)

DRIVEN

AXIAL GEARED-DOWN 2:1 DRIVEN TOOL H=90mm

These tools will only fit the following machine models:

SKT400M/LMC - L400/500 MA/MC/LMC - LV8500RM/LM (BMT75)



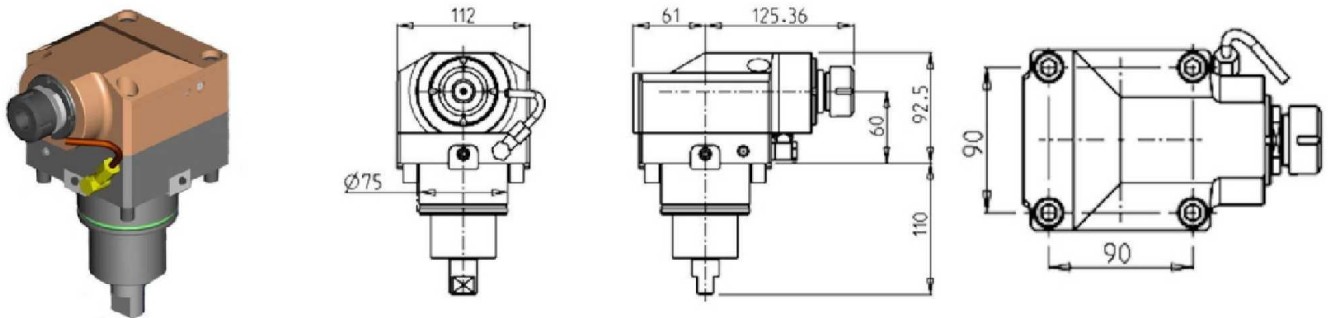
Part Number	Description	Spindle	Reversible	I	RPM	Cool Thru	Ext. Cool	A	A1	B	D	L
DWO 1370140	Axial Geared-Down 2:1 ER40	ER40	X	2:1	3000		X	122.66		59		
DWO 1370240	Axial Geared-Down 2:1 ER40 Cool Thru*	ER40	X	2:1	3000	X	X	122.66		70		
DWO 1372733	Axial Geared-Down 2:1 Mill Head Ø27x33	27x33	X	2:1	3000		X		92.5	59	27	33

* Coolant Thru tools are designed for 1000 psi. They require 5 Micron Filtration and **CANNOT** be run dry.

AXIAL GEARED-UP 1:3 DRIVEN TOOL H=60mm

These tools will only fit the following machine models:

SKT-V80RM/LM - LV800RM/LM (BMT75)



Part Number	Description	Spindle	RPM	I	Cool Thru	Ext. Cool
DWO 0570125	Axial Geared-Up 1:3 ER25	ER25	12000	1:3		X
DWO 0570225	Axial Geared-Up 1:3 ER25 Cool Thru*	ER25	12000	1:3	X	X

* Coolant Thru tools are designed for 1000 psi. They require 5 Micron Filtration and **CANNOT** be run dry.

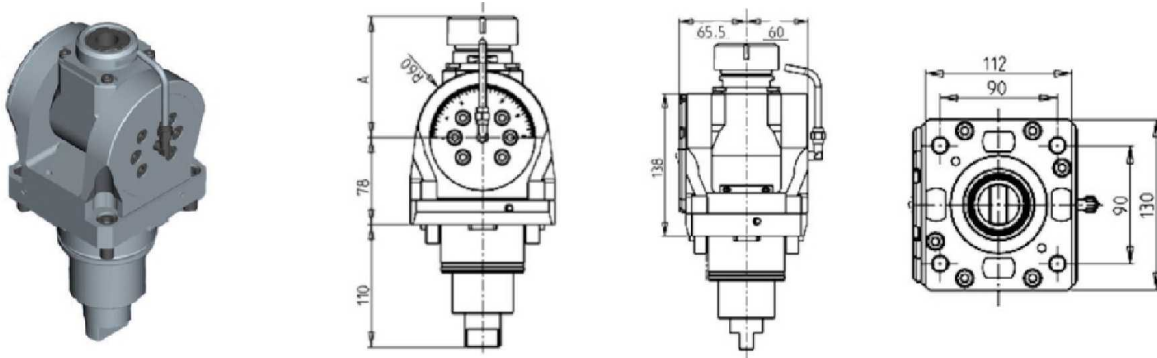
SKT400M/LMC - L400/500 MA/MC/LMC - SKT-V80RM/LM - LV500RM/LM - LV800RM/LM - LV8500RM/LM (BMT75)

DRIVEN

0-180 ADJUSTABLE ANGLE DRIVEN TOOL

These tools will only fit the following machine models:

SKT400M/LMC - L400/500 MA/MC/LMC - LV500RM/LM - LV800RM/LM - LV8500RM/LM (BMT75)



Part Number	Description	Spindle	I	RPM	Cool Thru	Ext. Cool	A
DWO 0820332	0-180 Adj. Angle ERA32	ERA32	1:1	6000		X	81
DWO 0820432	0-180 Adj. Angle ERA32 Cool Thru*	ERA32	1:1	6000	X	X	81
DWO 0820140	0-180 Adj. Angle ER40	ER40	1:1	6000		X	108.66
DWO 0820240	0-180 Adj. Angle ER40 Cool Thru*	ER40	1:1	6000	X	X	108.66

* Coolant Thru tools are designed for 1000 psi. They require 5 Micron Filtration and **CANNOT** be run dry.

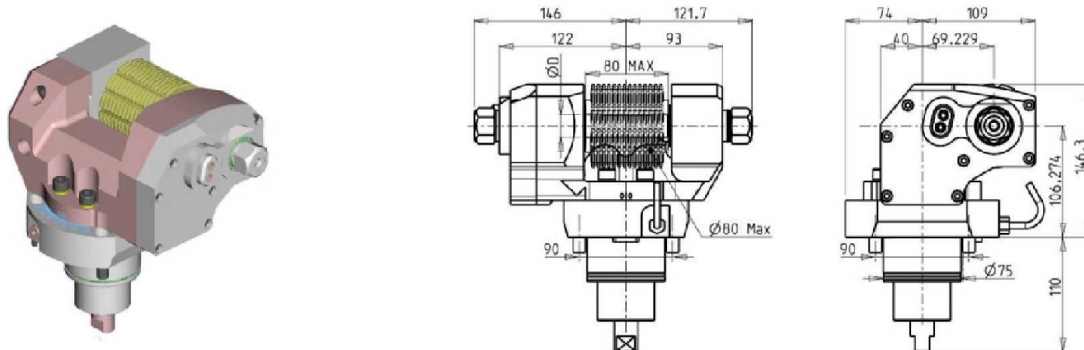
Note :

Wrenches are provided with the purchase of Specialty Toolholders

REINFORCED DRIVEN GEAR HOBBER

These tools will only fit the following machine models:

SKT400M/LMC - L400/500 MA/MC/LMC - LV500RM/LM - LV800RM/LM - LV8500RM/LM (BMT75)



Part Number	Description	Reversible	I	RPM	Ext. Cool	D mm	D Inch
DWO 0251100	Gear Hobb Driven Tool	X	1:1	6000	X	16-22-27-32	3/4"-1"-1 1/4"
DWO 0252100	Gear Hobb Driven Tool Geared-Down 2:1	X	2:1	3000	X	16-22-27-32	3/4"-1"-1 1/4"

Note :

Wrenches are provided with the purchase of Specialty Toolholders

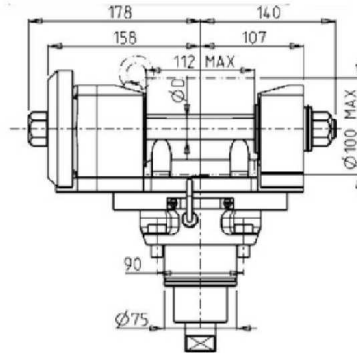
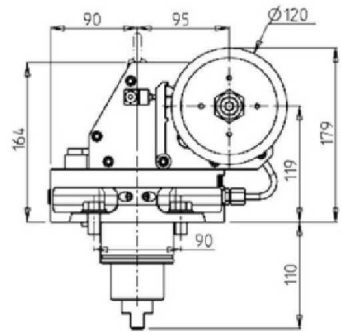
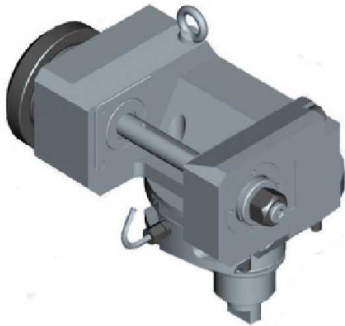
SKT400M/LMC - L400/500 MA/MC/LMC - SKT-V80RM/LM - LV500RM/LM - LV800RM/LM - LV8500RM/LM (BMT75)

DRIVEN

DRIVEN GEAR HOBBER - LARGE SIZE

These tools will only fit the following machine models:

SKT400M/LMC - L400/500 MA/MC/LMC - LV500RM/LM - LV800RM/LM - LV8500RM/LM (BMT75)



Part Number	Description	I	RPM	Ext. Cool	D (mm)
DWO 0811100	Gear Hobber- Large Size	1:1	6000	X	22-27-32
DWO 0812100	Gear Hobber- Large Size Geared-Down 2:1	2:1	3000	X	22-27-32

Note : Wrenches are provided with the purchase of Specialty Toolholders

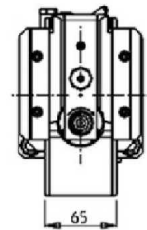
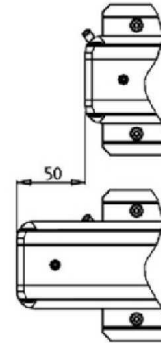
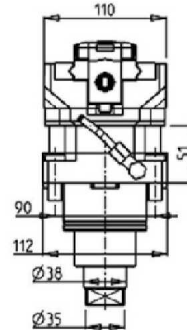
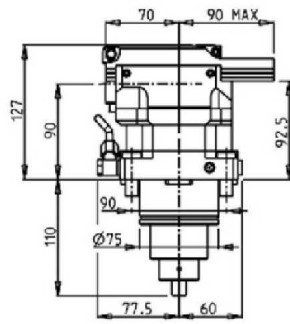
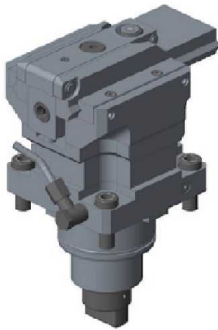
SKT400M/LMC - L400/500 MA/MC/LMC - SKT-V80RM/LM - LV500RM/LM - LV800RM/LM - LV8500RM/LM (BMT75)

DRIVEN

BROACHING/SLOTTING TOOL 50mm STROKE H=90mm

These tools will only fit the following machine models:

SKT400M/LMC - L400/500 MA/MC/LMC - LV500RM/LM - LV8500RM/LM (BMT75)

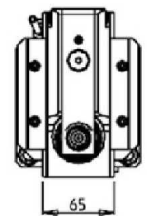
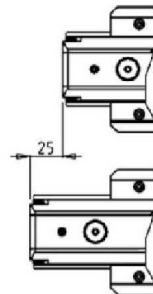
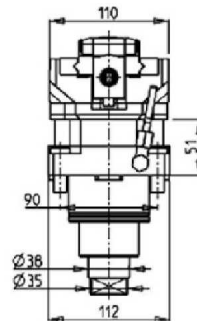
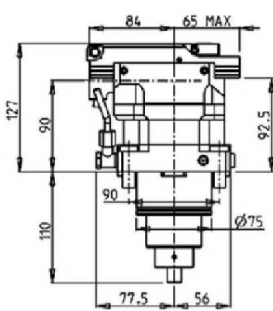


Part Number	Description	I	MAX RPM	Reversible	Ext Cool
DWO 1980100	Broaching/Slotting Tool 50mm Stroke H=90mm	4:1	2000	X	X

BROACHING/SLOTTING TOOL 25mm STROKE H=90mm

These tools will only fit the following machine models:

SKT400M/LMC - L400/500 MA/MC/LMC - LV500RM/LM - LV8500RM/LM (BMT75)



Part Number	Description	I	MAX RPM	Reversible	Ext Cool
DWO 1980200	Broaching/Slotting Tool 25mm Stroke H=90mm	4:1	2400	X	X

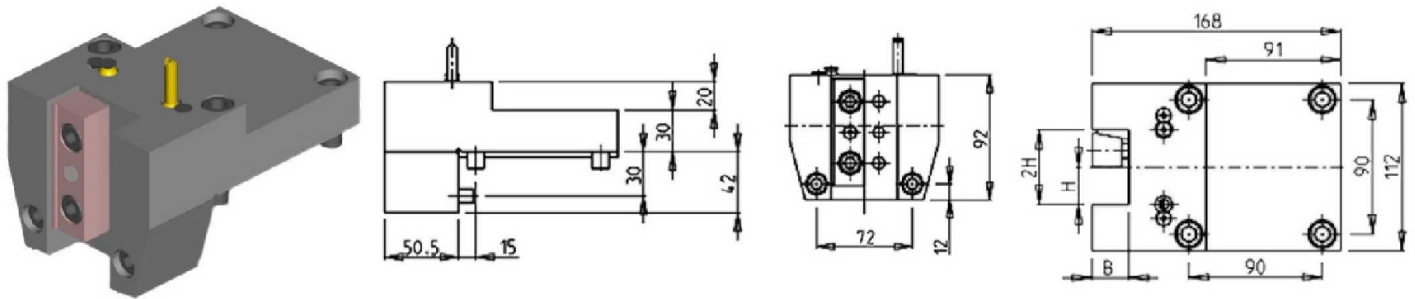
SKT400M/LMC - L400/500 MA/MC/LMC - SKT-V80RM/LM - LV500RM/LM - LV800RM/LM - LV8500RM/LM (BMT75)

STATIC

RADIAL STATIC TOOL

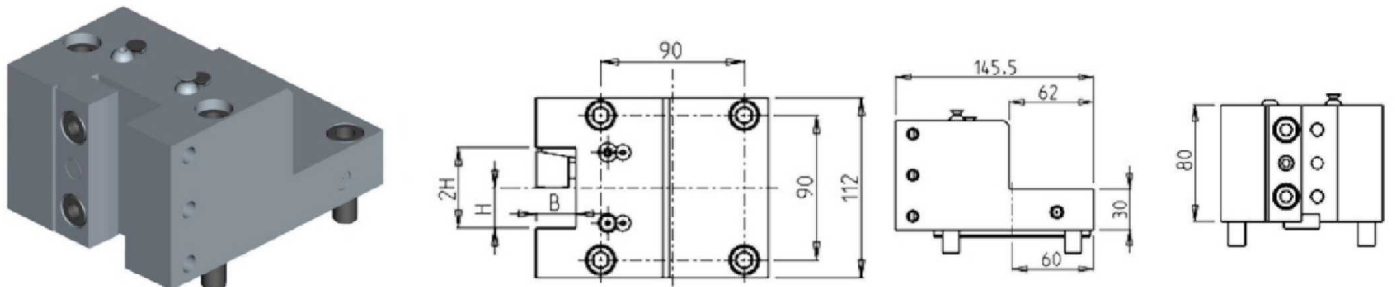
These tools will only fit the following machine models:

SKT400M/LMC - L400/500 MA/MC/LMC - LV500RM/LM - LV800RM/LM (BMT75)



Part Number	Description	# of Tools	Dimensions	B	H
DWO 1302540	Radial Static Tool 1" x 1"	1	Inch	1"	1"
DWO 1303175	Radial Static Tool 1 1/4" x 1 1/4"	1	Inch	1 1/4"	1 1/4"
DWO 1302500	Radial Static Tool 25mm x 25 mm	1	mm	25	25
DWO 1303200	Radial Static Tool 32mm x 32mm	1	mm	32	32

RADIAL SINGLE STATIC TOOL



Part Number	Description	# of Tools	Reversible	Dimensions	B	H
DWO 0752500	Radial Single Static Tool	1	X	mm	25	25

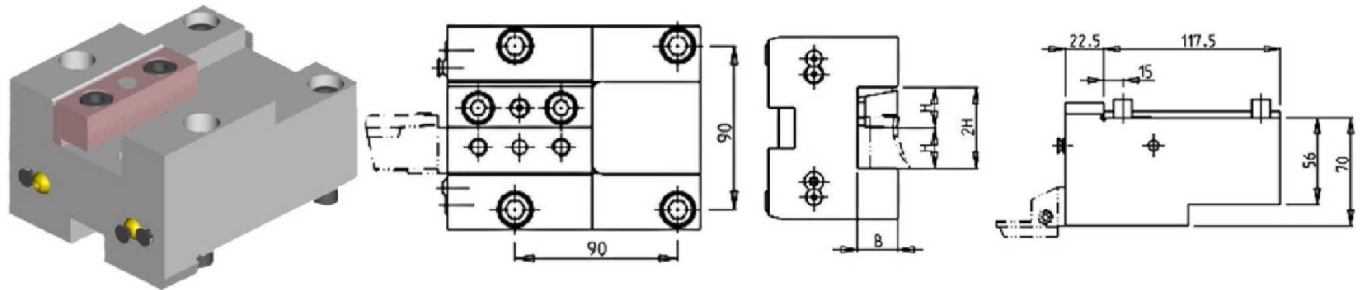
SKT400M/LMC - L400/500 MA/MC/LMC - SKT-V80RM/LM - LV500RM/LM - LV800RM/LM - LV8500RM/LM (BMT75)

STATIC

AXIAL STATIC TOOL

These tools will only fit the following machine models:

SKT400M/LMC - L400/500 MA/MC/LMC - LV500RM/LM - LV800RM/LM (BMT75)

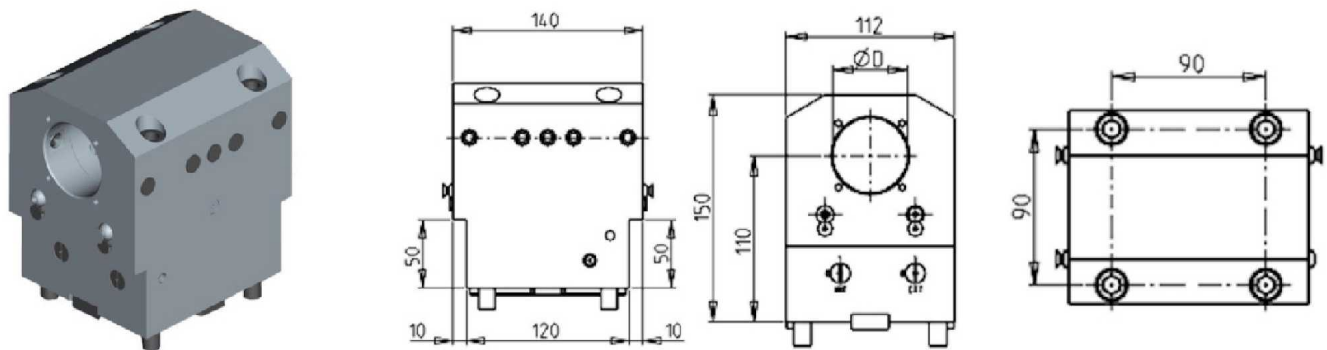


Part Number	Description	# of Tools	Reversible	Dimensions	B	H
DWO 1312540	Axial Static Tool 1" x 1"	1	X	Inch	1"	1"
DWO 1313175	Axial Static Tool 1 1/4" x 1 1/4"	1	X	Inch	1 1/4"	1 1/4"
DWO 1312500	Axial Static Tool 25mm x 25mm	1	X	mm	25	25
DWO 1313200	Axial Static Tool 32mm x 32mm	1	X	mm	32	32

AXIAL SINGLE BORING BAR HOLDER 50mm H=110mm

These tools will only fit the following machine models:

SKT400M/LMC - L400/500 MA/MC/LMC - LV8500RM/LM (BMT75)

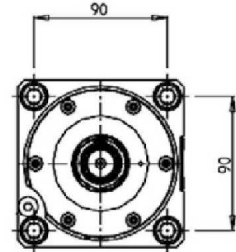
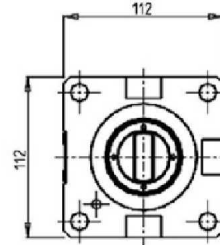
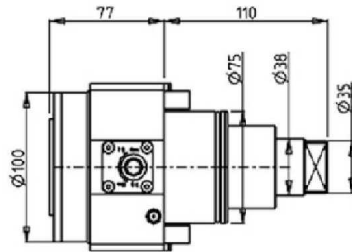


Part Number	Description	# of Tools	Cool Thru	Ext. Cool	Dimensions	D
DWO 1335000	Axial Single BBH 50mm H=110mm	1	X	X	mm	50
KIT 1000002	Plug for 50mm BBH to Make Cool Thru					

SKT400M/LMC - L400/500 MA/MC/LMC - SKT-V80RM/LM - LV500RM/LM - LV800RM/LM - LV8500RM/LM (BMT75)

DRIVEN

RADIAL DRIVEN TOOL CAPTO C5



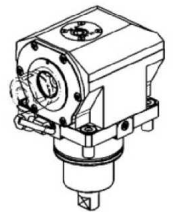
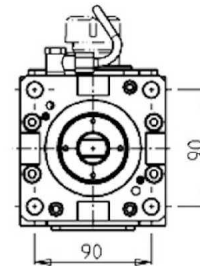
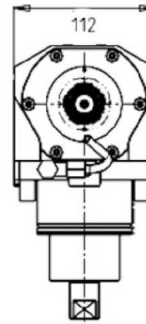
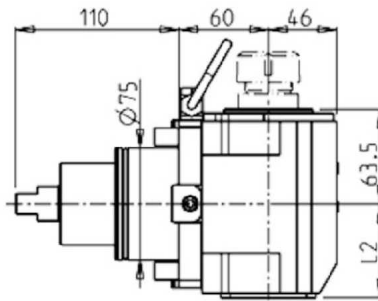
Part Number	Description	Size	I	RPM	Cool Thru	Ext Cool
DWO 3030250	Radial Driven Tool Capto C5	C5	1:1	6000	X	X

* Coolant Thru tools are designed for 1000 psi.
They require 5 Micron Filtration and **CANNOT** be run dry.

AXIAL DRIVEN TOOL COROMANT CAPTO H=60mm

These tools will only fit the following machine models:

SKT-V80RM/LM - LV800RM/LM (BMT75)



Part Number	Description	Reversible	Size	I	RPM	Cool Thru	Ext. Cool	L2
DWO 0610140	Axial Capto C4	X	C4	1:1	6000		X	63
DWO 0610240	Axial Capto C4 Cool Thru*	X	C4	1:1	6000	X	X	75.5
DWO 0610150	Axial Capto C5	X	C5	1:1	6000		X	63
DWO 0610250	Axial Capto C5 Cool Thru*	X	C5	1:1	6000	X	X	75.5

* Coolant Thru tools are designed for 1000 psi.
They require 5 Micron Filtration and **CANNOT** be run dry.

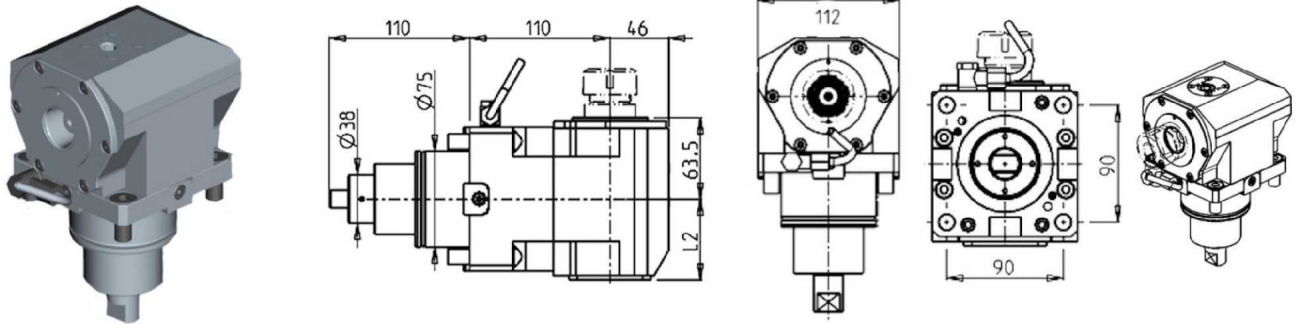
SKT400M/LMC - L400/500 MA/MC/LMC - SKT-V80RM/LM - LV500RM/LM - LV800RM/LM - LV8500RM/LM (BMT75)

DRIVEN

AXIAL DRIVEN TOOL COROMANT CAPTO H=110mm

These tools will only fit the following machine models:

SKT400M/LMC - L400/500MA/MC/LMC - LV8500RM/LM (BMT75)



Part Number	Description	Size	I	RPM	Reversible	Cool Thru	Ext Cool	L2
DWO 3430140	Axial Capto C4	C4	1:1	6000	X		X	63
DWO 3430240	Axial Capto C4 Cool Thru*	C4	1:1	6000	X	X	X	75.5
DWO 3430150	Axial Capto C5	C5	1:1	6000	X		X	63
DWO 3430250	Axial Capto C5 Cool Thru*	C5	1:1	6000	X	X	X	75.5

* Coolant Thru tools are designed for 1000 psi.
They require 5 Micron Filtration and **CANNOT** be run dry.

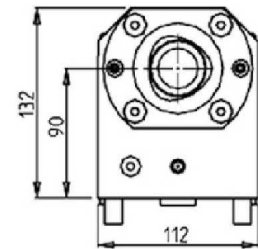
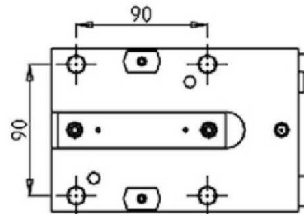
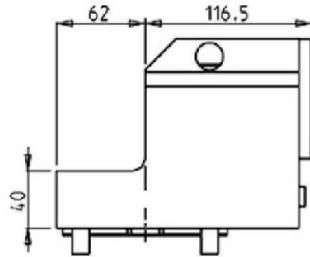
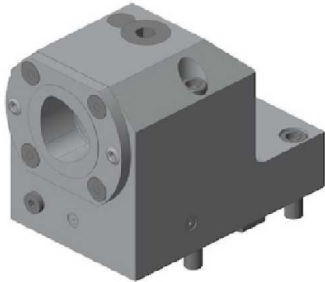
SKT400M/LMC - L400/500 MA/MC/LMC - SKT-V80RM/LM - LV500RM/LM - LV800RM/LM - LV8500RM/LM (BMT75)

STATIC

AXIAL SINGLE STATIC TOOL CAPTO C6

These tools will only fit the following machine models:

SKT400M/LMC - L400/500 MA/MC/LMC - LV500RM/LM - LV8500RM/LM (BMT75)

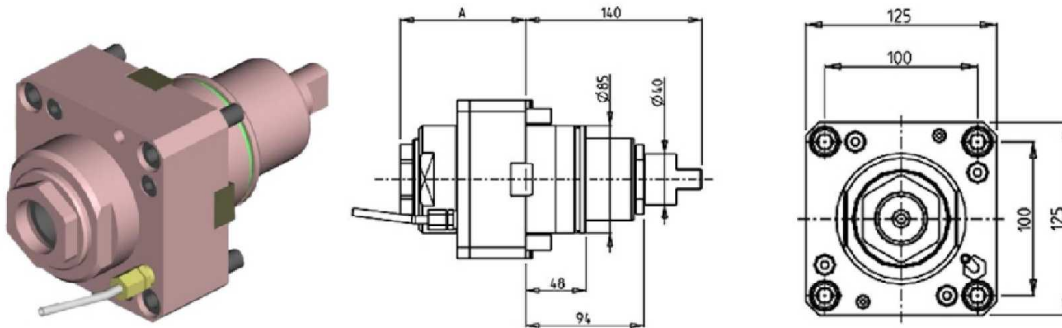


Part Number	Description	# of Tools	Cool Thru	Ext Cool	Reversible	Size
DWO 2856010	Axial Single Static Tool Capto C6 Right Version	1	X	X	X	C6
DWO 2856010LC	Axial Single Static Tool Capto C6 Left Version	1	X	X	X	C6

SKT600LM - L600LMA - SKT700LM - SKT-V110RM - L700LMA - L800LMA - LV1100RM - KL7000/8000LY (BMT85)

DRIVEN

RADIAL DRIVEN TOOL

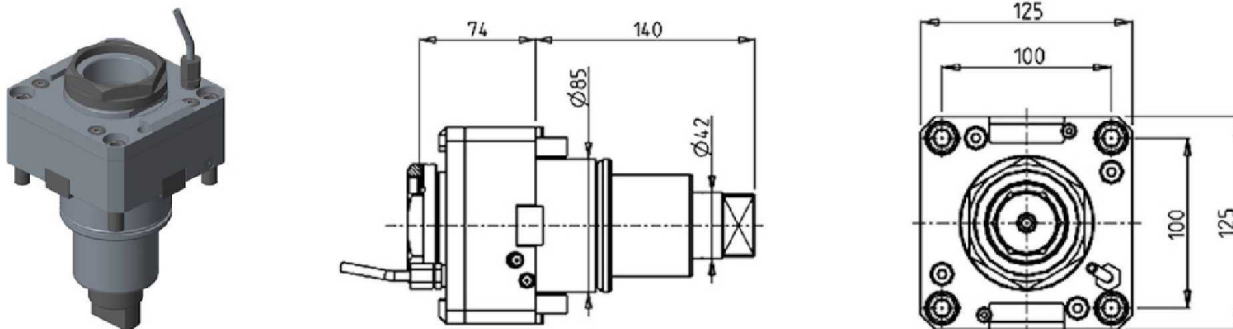


Part Number	Description	Spindle	I	RPM	Cool Thru	Ext. Cool	A
DWO 1240150	Radial ERA50	ERA50	1:1	3000		X	99.8
DWO 3610450	Radial ERA50 Cool Thru*	ERA50	1:1	3000	X	X	102.3

* Coolant Thru tools are designed for 1000 psi.
They require 5 Micron Filtration and **CANNOT** be run dry.

QUICK CHANGE RADIAL MTSK-63 DRIVEN TOOL

See Accessories for MTSK Quick Change Tool Holder Clamps



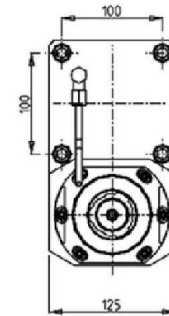
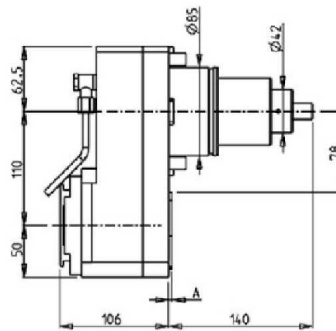
Part Number	Description	Spindle	I	RPM	Cool Thru	Ext Cool
DWO 1750163	Radial MTSK-63	MTSK-63	1:1	3000		X
DWO 1750263	Radial MTSK-63 Cool Thru*	MTSK-63	1:1	3000	X	X

*Coolant Thru tools are designed for 400 psi MAX.
They require 5 Micron Filtration and **CANNOT** be run dry.

SKT600LM - L600LMA - SKT700LM - SKT-V110RM - L700LMA - L800LMA - LV1100RM - KL7000/8000LY (BMT85)

DRIVEN

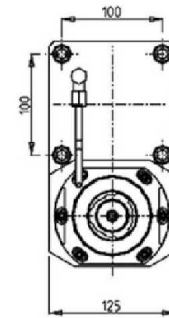
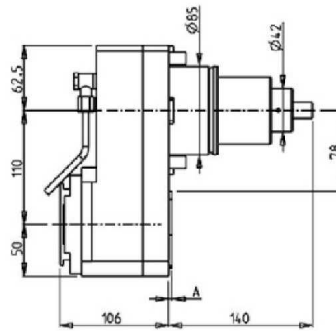
RADIAL DRIVEN TOOL RE-DIRECTED IN Z BY 110mm



Part Number	Description	Spindle	I	RPM	Cool Thru	Ext Cool	A
DWO 2121140	Radial ERA40 Re-Directed in Z by 110mm	ERA40	1:1	3000		X	3
DWO 2121240	Radial ERA40 Re-Directed in Z by 110mm Cool Thru*	ERA40	1:1	3000	X	X	14

* Coolant Thru tools are designed for 1000 psi. They require 5 Micron Filtration and **CANNOT** be run dry.

RADIAL GEARED-DOWN 2:1 DRIVEN TOOL RE-DIRECTED IN Z BY 110mm



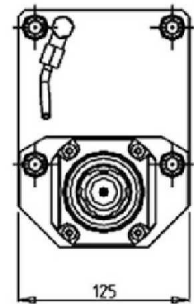
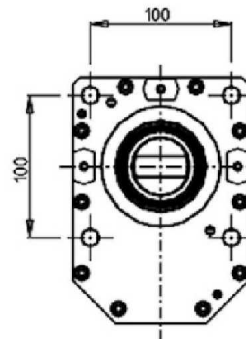
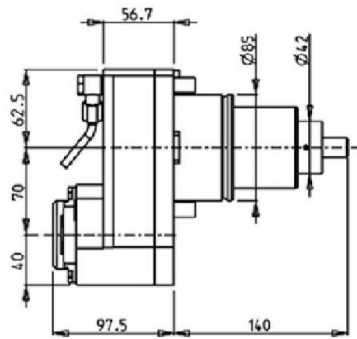
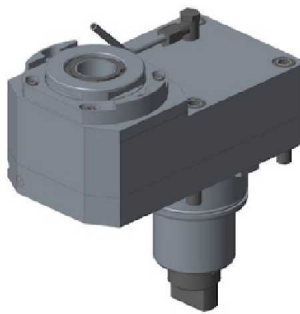
Part Number	Description	Spindle	I	RPM	Cool Thru	Ext Cool	A
DWO 2122140	Radial ERA40 Geared-Down Re-Directed in Z by 110mm	ERA40	2:1	1500		X	3
DWO 2122240	Radial ERA40 Geared-Down Re-Directed in Z by 110mm Cool Thru*	ERA40	2:1	1500	X	X	14

* Coolant Thru tools are designed for 1000 psi. They require 5 Micron Filtration and **CANNOT** be run dry.

SKT600LM - L600LMA - SKT700LM - SKT-V110RM - L700LMA - L800LMA - LV1100RM - KL7000/8000LY (BMT85)

DRIVEN

RADIAL GEARED-UP 1:3 DRIVEN TOOL RE-DIRECTED IN Z BY 70mm

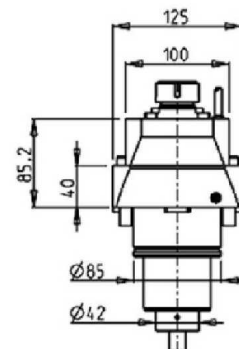
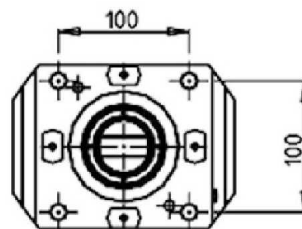
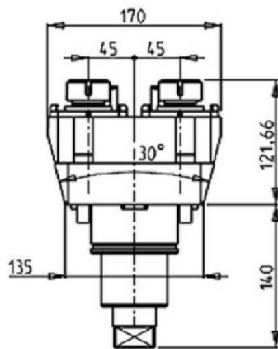
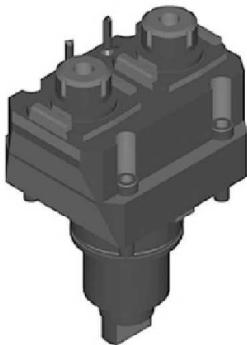


Part Number	Description	Spindle	I	RPM	Reversible	Ext Cool
DWO 3320332	Radial Geared-Up 1:3 ERA32	ERA32	1:3	9000	X	X

RADIAL SINGLE SIDE TWIN HEAD DRIVEN TOOL IN Y

These tools will only fit the following machine models:

KL7000/8000LY (BMT85)



Part Number	Description	Spindle	I	RPM	Ext Cool
DWO 3330225	Radial Single Side Twin Head ER25	ER25	1:1	3000	X

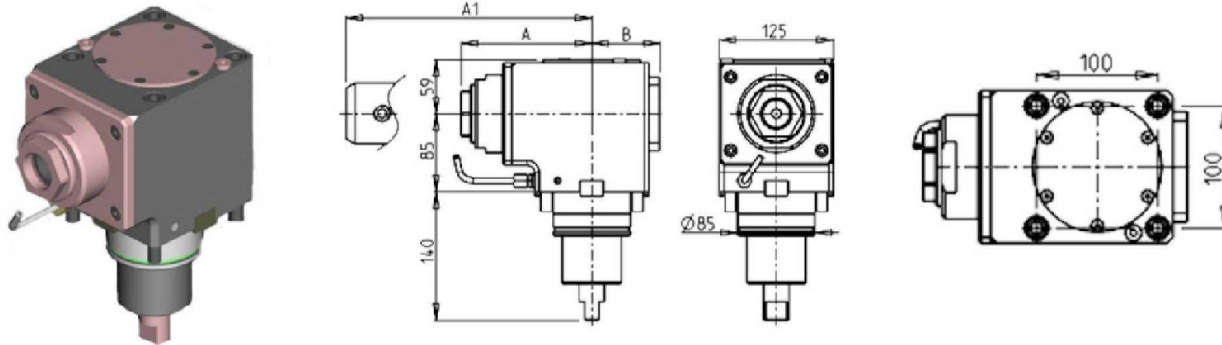
SKT600LM - L600LMA - SKT700LM - SKT-V110RM - L700LMA - L800LMA - LV1100RM - KL7000/8000LY (BMT85)

DRIVEN

AXIAL DRIVEN TOOL H=85mm

These tools will only fit the following machine models:

SKT600LM - L600LMA - SKT700LM - L700LMA - L800LMA - KL7000/8000LY (BMT85)



Part Number	Description	Spindle	I	RPM	Reversible	Cool Thru	Ext. Cool	A	A1	B
DWO 1390150	Axial ERA50	ERA50	1:1	3000	X		X	142.83		75
DWO 1391250	Axial ERA50 Cool Thru*	ERA50	1:1	3000	X	X	X	142.83		86
DWO 3200350	Axial ER50	ER50	1:1	3000	X		X	153.47		75
DWO 3200450	Axial ER50 Cool Thru*	ER50	1:1	3000	X	X	X	153.47		86
DWO 1390240	Axial Weldon 40	Weldon 40	1:1	3000	X		X		175.5	75
DWO 1390140	Axial Weldon 40 Cool Thru*	Weldon 40	1:1	3000	X	X	X		175.5	86

* Coolant Thru tools are designed for 1000 psi.
They require 5 Micron Filtration and **CANNOT** be run dry.

SKT600LM - L600LMA - SKT700LM - SKT-V110RM - L700LMA - L800LMA - LV1100RM - KL7000/8000LY (BMT85)

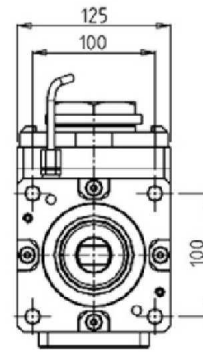
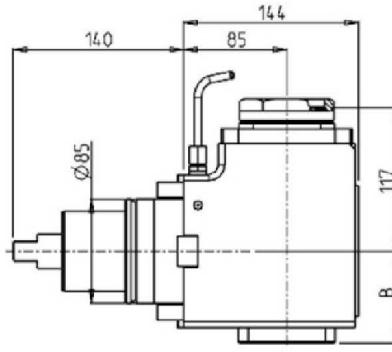
DRIVEN

QUICK CHANGE AXIAL MTSK DRIVEN TOOL H=85mm

These tools will only fit the following machine models:

SKT600LM - L600LMA - SKT700LM - L700LMA - L800LMA - KL7000/8000LY (BMT85)

See Accessories for MTSK Quick Change Tool Holder Clamps



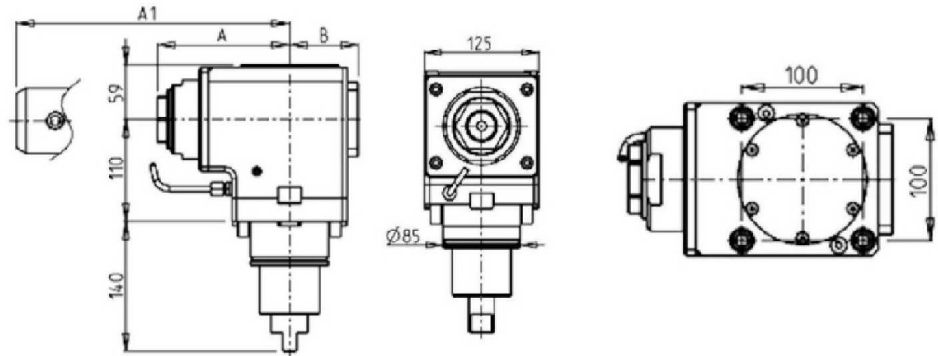
Part Number	Description	Spindle	I	RPM	Reversible	Cool Thru	Ext Cool	B
DWO 2990163	Axial MTSK-63	MTSK-63	1:1	3000	X		X	75
DWO 2990263	Axial MTSK-63 Cool Thru*	MTSK-63	1:1	3000	X	X	X	86

* Coolant Thru tools are designed for 1000 psi.
They require 5 Micron Filtration and **CANNOT** be run dry.

SKT600LM - L600LMA - SKT700LM - SKT-V110RM - L700LMA - L800LMA - LV1100RM - KL7000/8000LY (BMT85)

DRIVEN

AXIAL DRIVEN TOOL H=110mm

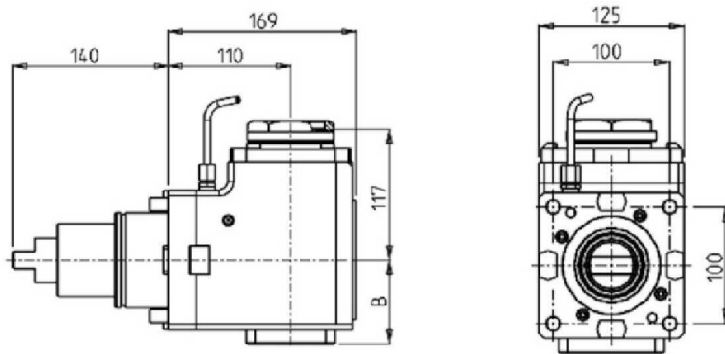


Part Number	Description	Spindle	I	RPM	Reversible	Cool Thru	Ext. Cool	A	A1	B
DWO 1290150	Axial ERA50	ERA50	1:1	3000	X		X	142.83		75
DWO 1291250	Axial ERA50 Cool Thru*	ERA50	1:1	3000	X	X	X	142.83		86
DWO 3190350	Axial ER50	ER50	1:1	3000	X		X	153.47		75
DWO 3190450	Axial ER50 Cool Thru*	ER50	1:1	3000	X	X	X	153.47		86
DWO 1290240	Axial Weldon 40	Weldon 40	1:1	3000	X		X		175.5	75
DWO 1290140	Axial Weldon 40 Cool Thru*	Weldon 40	1:1	3000	X	X	X		175.5	86

* Coolant Thru tools are designed for 1000 psi. They require 5 Micron Filtration and **CANNOT** be run dry.

QUICK CHANGE AXIAL MTSK DRIVEN TOOL H=110mm

See Accessories for MTSK Quick Change Tool Holder Clamps



Part Number	Description	Spindle	I	RPM	Reversible	Cool Thru	Ext Cool	B
DWO 1600163	Axial MTSK-63	MTSK-63	1:1	3000	X		X	75
DWO 1600263	Axial MTSK-63 Cool Thru*	MTSK-63	1:1	3000	X	X	X	86

* Coolant Thru tools are designed for 1000 psi. They require 5 Micron Filtration and **CANNOT** be run dry.

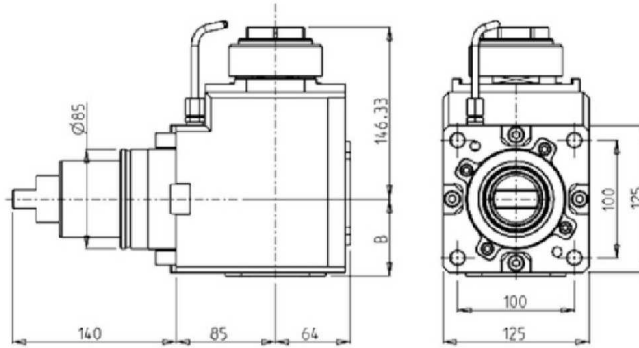
SKT600LM - L600LMA - SKT700LM - SKT-V110RM - L700LMA - L800LMA - LV1100RM - KL7000/8000LY (BMT85)

DRIVEN

AXIAL GEARED-DOWN 2:1 DRIVEN TOOL H=85mm

These tools will only fit the following machine models:

SKT600LM - L600LMA - SKT700LM - L700LMA - L800LMA - KL7000/8000LY (BMT85)



Part Number	Description	Reversible	Spindle	I	RPM	Cool Thru	Ext. Cool	B
DWO 0460150	Axial Geared-Down ERA50	X	ERA50	2:1	1500		X	65.5
DWO 0460250	Axial Geared-Down ERA50 Cool Thru*	X	ERA50	2:1	1500	X	X	82

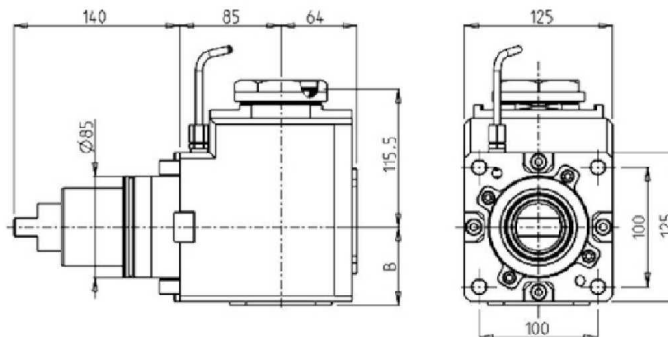
* Coolant Thru tools are designed for 1000 psi. They require 5 Micron Filtration and **CANNOT** be run dry.

QUICK CHANGE AXIAL MTSK GEARED-DOWN 2:1 DRIVEN TOOL H=85mm

These tools will only fit the following machine models:

SKT600LM - L600LMA - SKT700LM - L700LMA - L800LMA - KL7000/8000LY (BMT85)

See Accessories for MTSK Quick Change Tool Holder Clamps



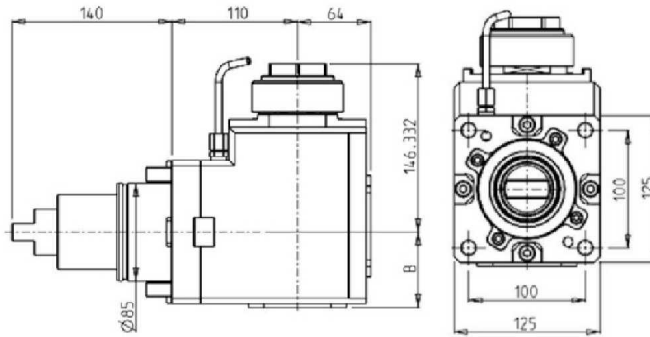
Part Number	Description	Reversible	Spindle	I	RPM	Cool Thru	Ext. Cool	B
DWO 0760163	Axial MTSK-63 Geared-Down	X	MTSK-63	2:1	1500		X	65.5
DWO 0760263	Axial MTSK-63 Geared-Down Cool Thru*	X	MTSK-63	2:1	1500	X	X	82

* Coolant Thru tools are designed for 1000 psi. They require 5 Micron Filtration and **CANNOT** be run dry.

SKT600LM - L600LMA - SKT700LM - SKT-V110RM - L700LMA - L800LMA - LV1100RM - KL7000/8000LY (BMT85)

DRIVEN

AXIAL GEARED-DOWN 2:1 DRIVEN TOOL H=110mm

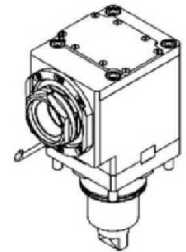
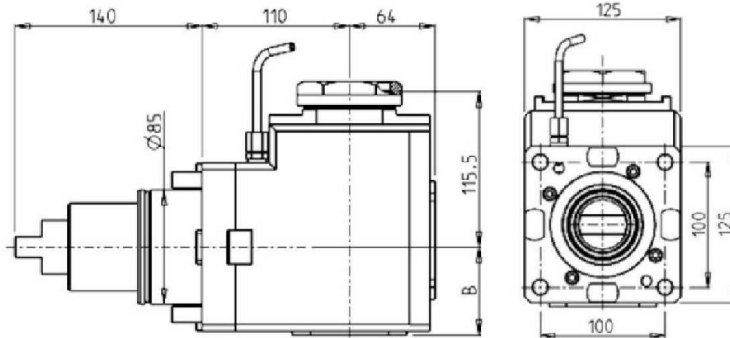


Part Number	Description	Spindle	Reversible	I	RPM	Cool Thru	Ext. Cool	B
DWO 1210150	Axial ERA50 Geared-Down 2:1	ERA50	X	2:1	1500		X	65.5
DWO 1210250	Axial ERA50 Geared-Down 2:1 Cool Thru*	ERA50	X	2:1	1500	X	X	82

* Coolant Thru tools are designed for 1000 psi. They require 5 Micron Filtration and **CANNOT** be run dry.

QUICK CHANGE AXIAL MTSK GEARED-DOWN 2:1 DRIVEN TOOL H=110mm

See Accessories for MTSK Quick Change Tool Holder Clamps



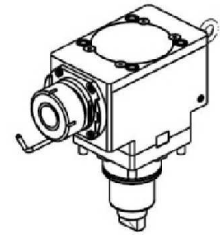
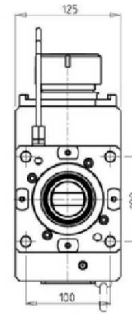
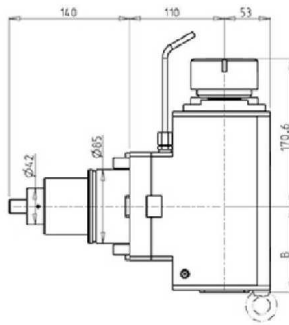
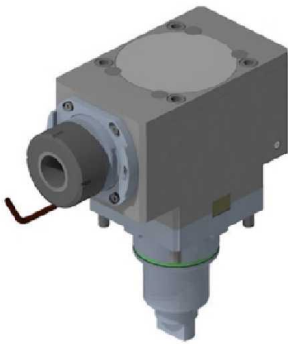
Part Number	Description	Spindle	Reversible	I	RPM	Cool Thru	Ext. Cool	B
DWO 1200163	MTSK-63 Geared-Down 2:1	MTSK-63	X	2:1	1500		X	65.5
DWO 1200263	MTSK-63 Geared-Down 2:1 Cool Thru*	MTSK-63	X	2:1	1500	X	X	82

* Coolant Thru tools are designed for 1000 psi. They require 5 Micron Filtration and **CANNOT** be run dry.

SKT600LM - L600LMA - SKT700LM - SKT-V110RM - L700LMA - L800LMA - LV1100RM - KL7000/8000LY (BMT85)

DRIVEN

AXIAL GEARED-UP 1:2 DRIVEN TOOL H=110mm



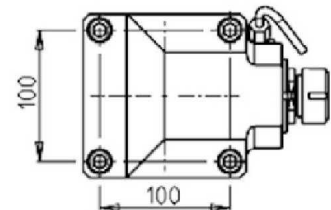
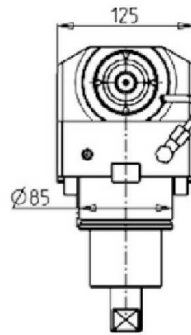
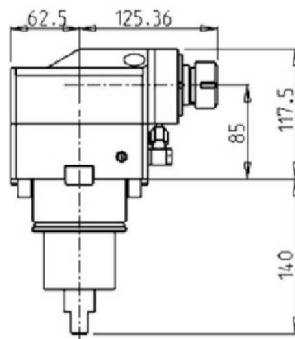
Part Number	Description	Spindle	I	RPM	Reversible	Cool Thru	Ext Cool	B
DWO 3270150	Axial Geared-Up 1:2 ER50	ER50	1:2	6000	X		X	99.5
DWO 3270250	Axial Geared-Up 1:2 ER50 Cool Thru*	ER50	1:2	6000	X	X	X	108

* Coolant Thru tools are designed for 1000 psi. They require 5 Micron Filtration and **CANNOT** be run dry.

AXIAL GEARED-UP 1:3 DRIVEN TOOL

These tools will only fit the following machine models:

SKT600LM - L600LMA - SKT700LM - L700LMA - L800LMA - KL7000/8000LY (BMT85)



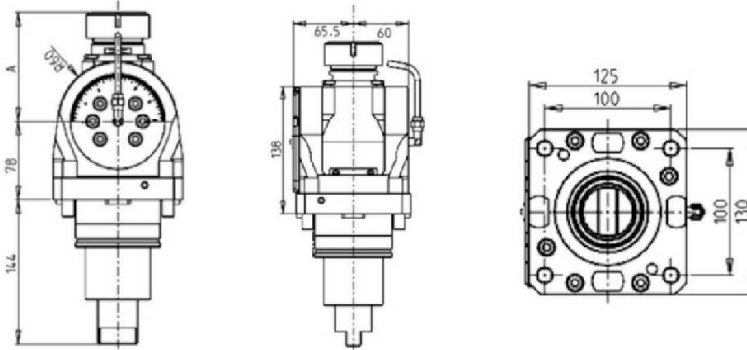
Part Number	Description	Spindle	I	RPM	Cool Thru	Ext. Cool
DWO 0580125	Axial Geared-Up 1:3 ER25	ER25	1:3	12000		X
DWO 0580225	Axial Geared-Up 1:3 ER25 Cool Thru*	ER25	1:3	12000	X	X

* Coolant Thru tools are designed for 1000 psi. They require 5 Micron Filtration and **CANNOT** be run dry.

SKT600LM - L600LMA - SKT700LM - SKT-V110RM - L700LMA - L800LMA - LV1100RM - KL7000/8000LY (BMT85)

DRIVEN

0-180 ADJUSTABLE ANGLE DRIVEN TOOL



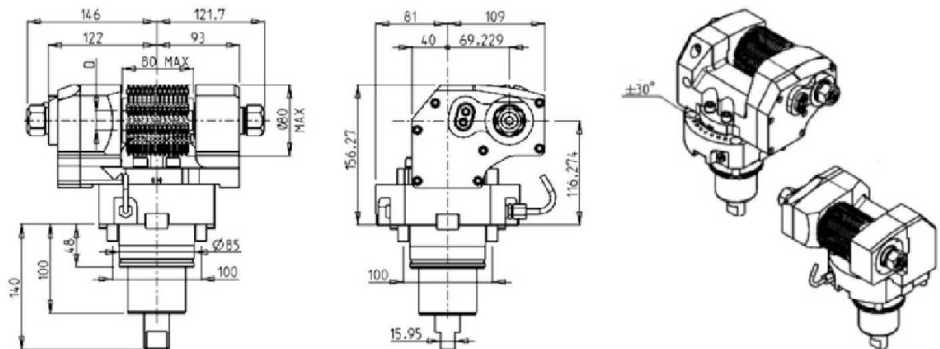
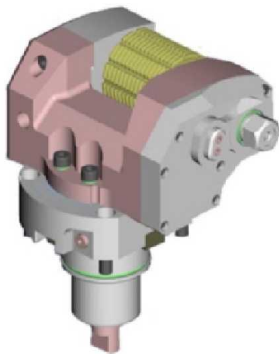
Part Number	Description	Spindle	I	RPM	Cool Thru	Ext. Cool	A
DWO 0830332	0-180 Adj. Angle ERA32 BMT85	ERA32	1:1	3000		X	81
DWO 0830432	0-180 Adj. Angle ERA32 BMT85 Cool Thru*	ERA32	1:1	3000	X	X	81
DWO 0830140	0-180 Adj. Angle ER40 BMT85	ER40	1:1	3000		X	108.66
DWO 0830240	0-180 Adj. Angle ER40 BMT85 Cool Thru*	ER40	1:1	3000	X	X	108.66

* Coolant Thru tools are designed for 1000 psi.
They require 5 Micron Filtration and **CANNOT** be run dry.

Note :

Wrenches are provided with the purchase of Specialty Toolholders

GEAR HOBBER - REINFORCED



Part Number	Description	I	MAX RPM	Ext. Cool	D (mm)	D (Inch)
DWO 0181100	Driven Gear Hobber 1:1	1:1	3000	X	16-22-27-32	3/4"-1"-1 1/4"
DWO 0182100	Driven Gear Hobber Geared-Down 2:1	2:1	1500	X	16-22-27-32	3/4"-1"-1 1/4"

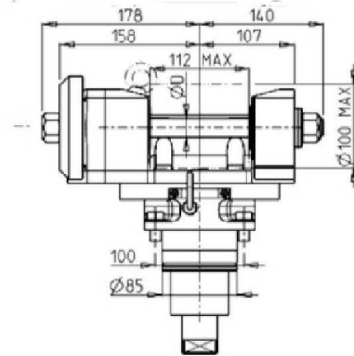
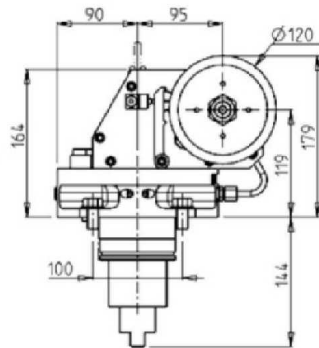
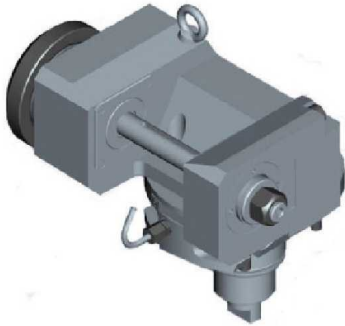
Note :

Wrenches are provided with the purchase of Specialty Toolholders

SKT600LM - L600LMA - SKT700LM - SKT-V110RM - L700LMA - L800LMA - LV1100RM - KL7000/8000LY (BMT85)

DRIVEN

GEAR HOBBER - LARGE SIZE



Part Number	Description	I	MAX RPM	Ext. Cool	D (mm)
DWO 0851100	Heavy Duty Gear Hobber 1:1	1:1	3000	X	22-27-32
DWO 0852100	Heavy Duty Gear Hobber Geared-Down 2:1	2:1	1500	X	22-27-32

Note : Wrenches are provided with the purchase of Specialty Toolholders

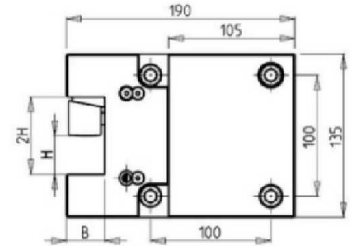
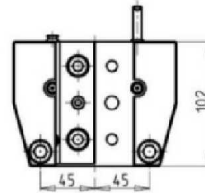
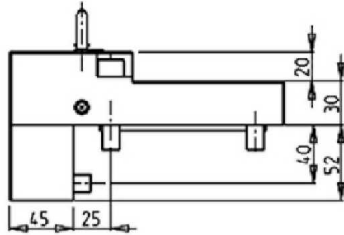
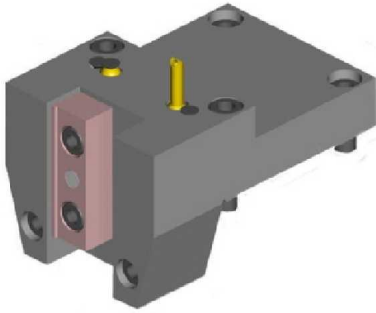
SKT600LM - L600LMA - SKT700LM - SKT-V110RM - L700LMA - L800LMA - LV1100RM - KL7000/8000LY (BMT85)

STATIC

RADIAL STATIC TOOL

These tools will only fit the following machine models:

SKT600LM - L600LMA - SKT700LM - L700LMA - L800LMA - KL7000/8000LY (BMT85)



Part Number	Description	# of Tools	Dimensions	B	H
DWO 1073175	Radial Static Tool 1 1/4" x 1 1/4"	1	Inch	1 1/4"	1 1/4"
DWO 1073200	Radial Static Tool 32mm x 32mm	1	mm	32	32

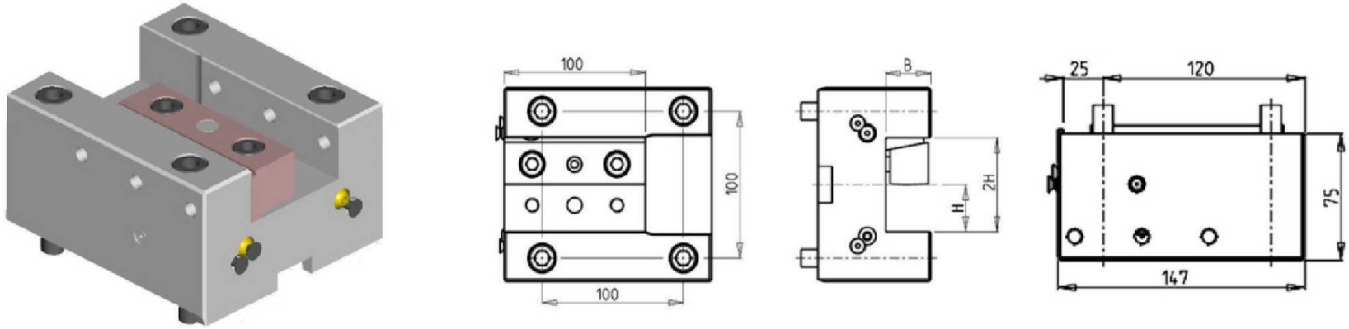
SKT600LM - L600LMA - SKT700LM - SKT-V110RM - L700LMA - L800LMA - LV1100RM - KL7000/8000LY (BMT85)

STATIC

AXIAL STATIC TOOL

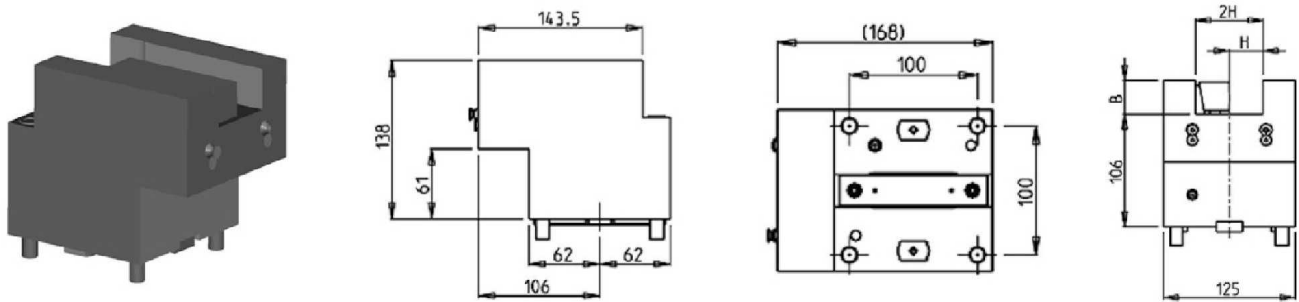
These tools will only fit the following machine models:

SKT600LM - L600LMA - SKT700LM - SKT-V110RM - L700LMA - L800LMA - KL7000/8000LY (BMT85)



Part Number	Description	# of Tools	Reversible	Dimensions	B	H
DWO 1053175	Axial Static Tool 1 1/4" x 1 1/4"	1/2	X	Inch	1 1/4"	1 1/4"
DWO 0333200	Axial Static Tool 32mm x 32mm	1/2	X	mm	32	32

AXIAL SINGLE STATIC TOOL



Part Number	Description	# of Tools	Reversible	Dimensions	B	H
DWO 3753200	Axial Single Static Tool \varnothing 32mm	1	X	mm	32	32

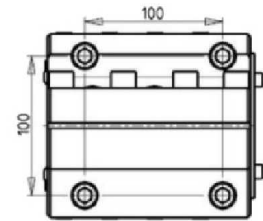
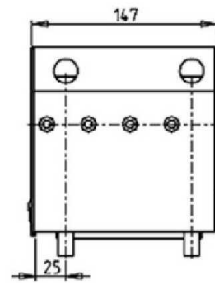
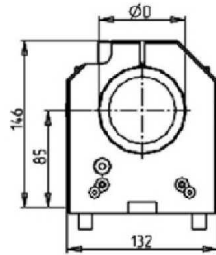
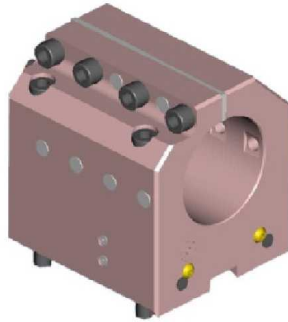
SKT600LM - L600LMA - SKT700LM - SKT-V110RM - L700LMA - L800LMA - LV1100RM - KL7000/8000LY (BMT85)

STATIC

AXIAL SINGLE BORING BAR HOLDER H=85mm

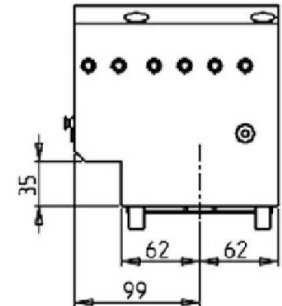
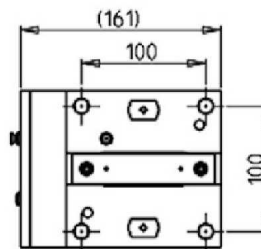
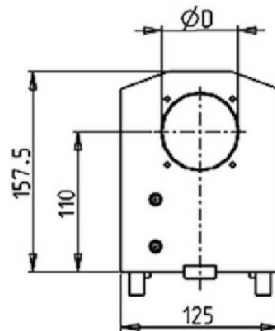
These tools will only fit the following machine models:

SKT600LM - L600LMA - SKT700LM - L700LMA - L800LMA - KL7000/8000LY (BMT85)



Part Number	Description	# of Tools	Reversible	Cool Thru	Ext. Cool	Dimensions	D
DWO 1067620	Axial Single BBH: 3"	1	X	X	X	Inch	3"
DWO 0348000	Axial Single BBH: 80mm	1	X	X	X	mm	80
KIT 1002014	Plug & Seal Kit for 3" BBH to Make Cool Thru						
KIT 1002013	Plug & Seal Kit for 80mm BBH to Make Cool Thru						

AXIAL SINGLE BORING BAR HOLDER H=110mm



Part Number	Description	# of Tools	Cool Thru	Ext Cool	Dimensions	D
DWO 3746000	Axial Single BBH Ø60mm	1	X	X	mm	60
KIT 1000025	Plug for 60mm BBH to Make Cool Thru					

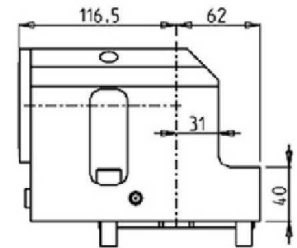
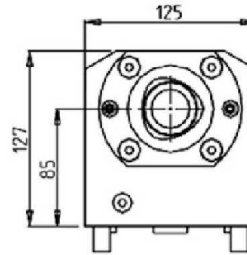
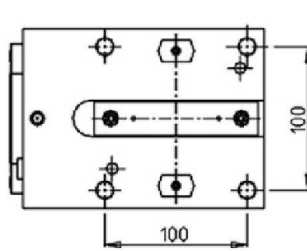
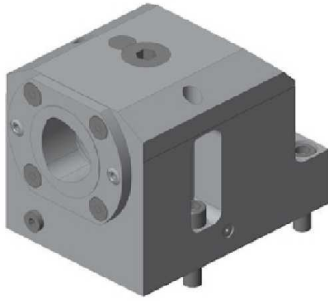
SKT600LM - L600LMA - SKT700LM - SKT-V110RM - L700LMA - L800LMA - LV1100RM - KL7000/8000LY (BMT85)

STATIC

AXIAL SINGLE STATIC TOOL CAPTO C6

These tools will only fit the following machine models:

SKT600LM - L600LMA - SKT700LM - L700LMA - L800LMA - KL7000/8000LY (BMT85)

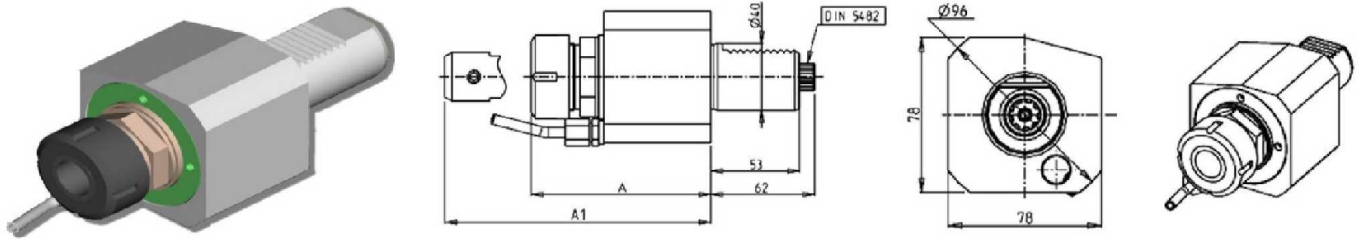


Part Number	Description	# of Tools	Cool Thru	Reversible	Size
DWO 3106010	Axial Single Static Tool Capto C6 Right Version	1	X	X	C6
DWO 3106010LC	Axial Single Static Tool Capto C6 Left Version	1	X	X	C6

SKT15LM/LMS - L150LMSA - SKT21LM/LMS - L210LMSA

DRIVEN

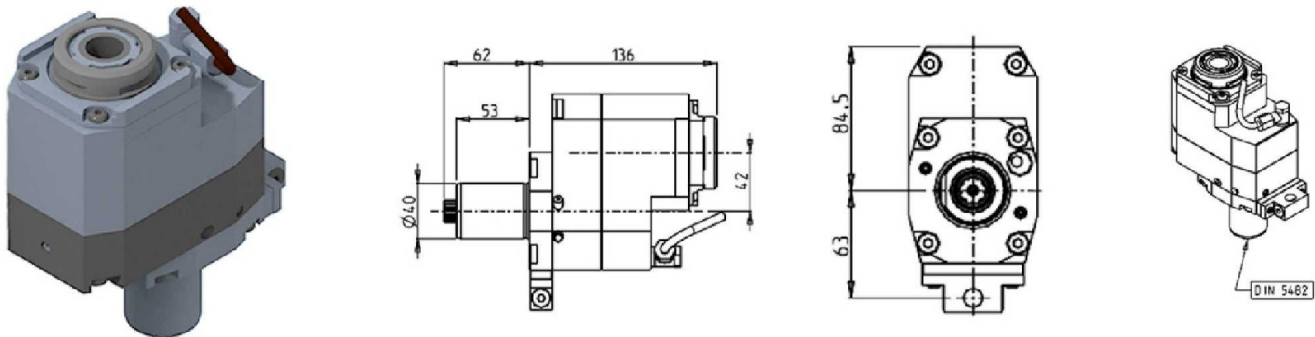
AXIAL DRIVEN TOOL VDI40 DIN 5482



Part Number	Description	Spindle	I	RPM	Cool Thru	Ext Cool	A	A1
202SAU_A32_40D00	Axial Driven Tool ER32 VDI40 DIN 5482	ER32	1:1	4000		X	107.26	
202SAU_A32_40D10	Axial Driven Tool ER32 VDI40 DIN 5482 Cool Thru*	ER32	1:1	4000	X	X	110.46	
SAU0460420	Axial Driven Tool Weldon 20 VDI40 DIN 5482	Weldon 20	1:1	4000		X		97.3

*Coolant Thru tools are designed for 400 psi MAX.
They require 5 Micron Filtration and **CANNOT** be run dry.

AXIAL GEARED-UP 1:2 DRIVEN TOOL REDIRECTED BY 42mm VDI40



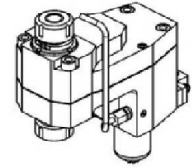
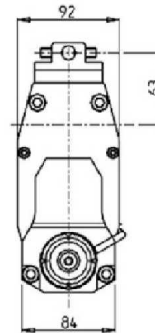
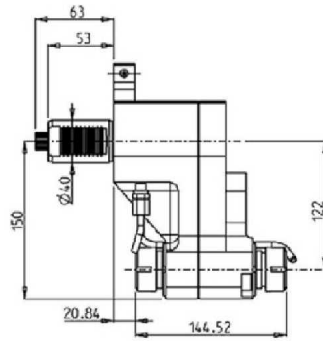
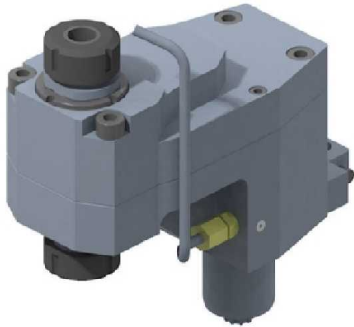
Part Number	Description	Spindle	I	RPM	Cool Thru	Ext Cool
SAU0447132	Axial Geared-Up 1:2 Redirected ERA32	ERA32	1:2	8000		X
SAU0447232	Axial Geared-Up 1:2 Redirected ERA32 Cool Thru*	ERA32	1:2	8000	X	X

* Coolant Thru tools are designed for 1000 psi.
They require 5 Micron Filtration and **CANNOT** be run dry.

SKT15LM/LMS - L150LMSA - SKT21LM/LMS - L210LMSA

DRIVEN

AXIAL REAR-SET OPPOSITE FACE TWIN DRIVEN TOOL VDI40 DIN 5482

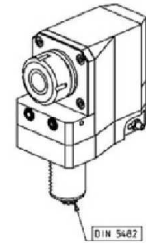
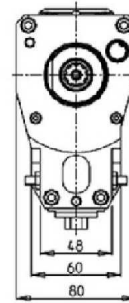
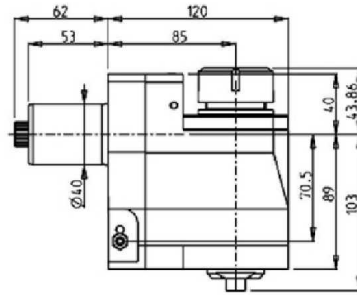


Part Number	Description	Spindle	I	RPM	Ext Cool
254KIA_A25_40D00	Axial Rear-Set Opposite Face ER25+ER25 VDI40 DIN 5482	ER25+ER25	1:1	4000	X

SKT15LM/LMS - L150LMSA - SKT21LM/LMS - L210LMSA

DRIVEN

RADIAL REAR-SET DRIVEN TOOL VDI40 DIN 5482

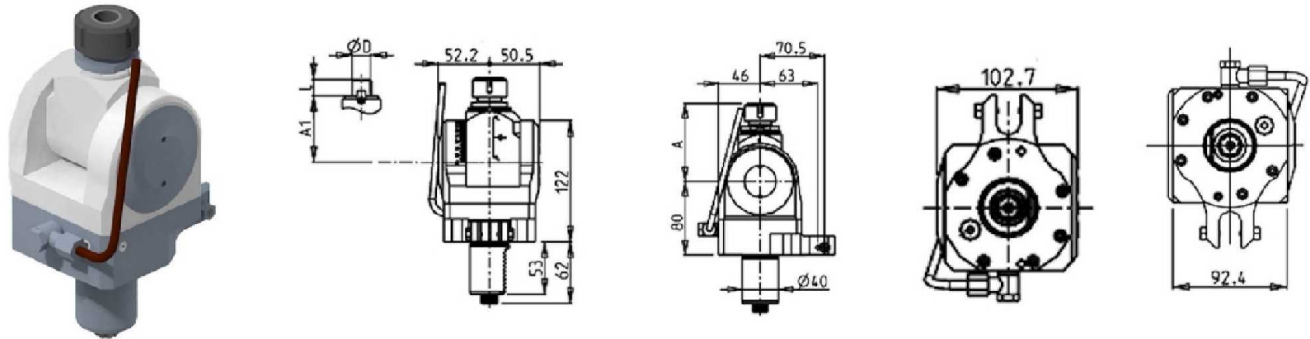


Part Number	Description	Spindle	I	RPM	Ext Cool
201SAU_R32_40D20	Radial Rear-Set Driven Tool ER32 VDI40 DIN 5482	ER32	1:1	4000	X

SKT15LM/LMS - L150LMSA - SKT21LM/LMS - L210LMSA

DRIVEN

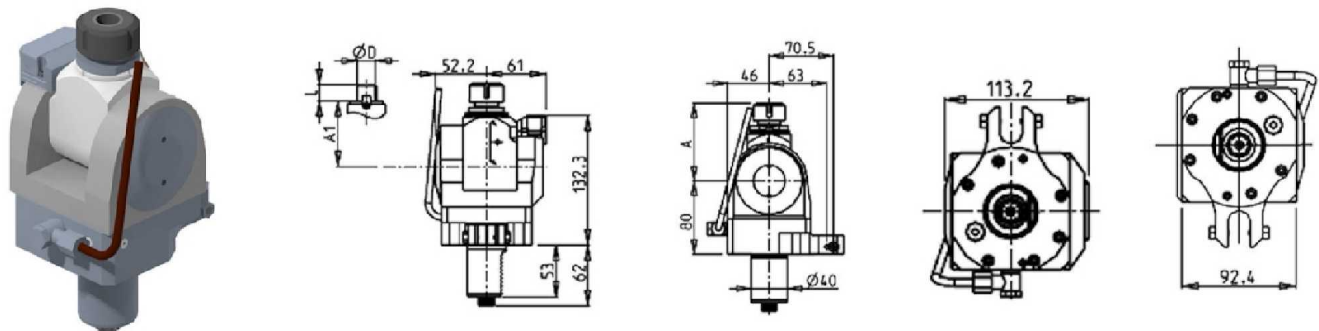
0-180° ADJUSTABLE ANGLE DRIVEN TOOL VDI40 DIN 5482



Part Number	Description	Spindle	I	RPM	Ext Cool	A	A1	D	L
SAU0851120	0-180° Adj. Angle ER20 VDI40 DIN 5482	ER20	1:1	4000	X	85.16			
SAU0851125	0-180° Adj. Angle ER25 VDI40 DIN 5482	ER25	1:1	4000	X	86.16			
SAU0851519	0-180° Adj. Angle 3/4"x3/4" VDI40 DIN 5482	3/4"x3/4"	1:1	4000	X		65	3/4"	3/4"
SAU0851516	0-180° Adj. Angle $\phi 16 \times 17$ mm VDI40 DIN 5482	$\phi 16 \times 17$	1:1	4000	X		65	16	17
SAU0851522	0-180° Adj. Angle $\phi 22 \times 19$ mm VDI40 DIN 5482	$\phi 22 \times 19$	1:1	4000	X		66	22	19

Note : Wrenches are provided with the purchase of Specialty Toolholders

0-180° ADJUSTABLE ANGLE DRIVEN TOOL WITH DIGITAL DISPLAY VDI40 DIN 5482



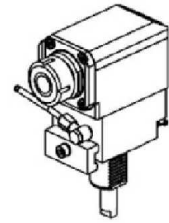
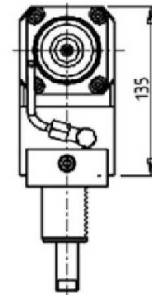
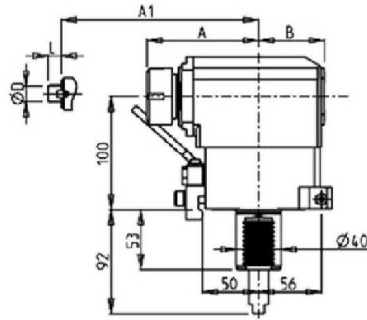
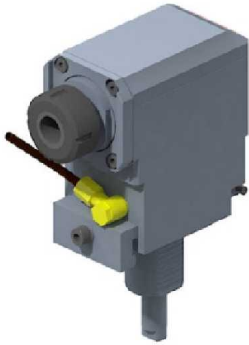
Part Number	Description	Spindle	I	RPM	Ext Cool	A	A1	D	L
SAU0771120	0-180° Adj. Angle ER20 with Digital Display VDI40 DIN 5482	ER20	1:1	4000	X	85.16			
SAU0771125	0-180° Adj. Angle ER25 with Digital Display VDI40 DIN 5482	ER25	1:1	4000	X	86.16			
SAU0771519	0-180° Adj. Angle 3/4"x3/4" with Digital Display VDI40 DIN 5482	3/4"x3/4"	1:1	4000	X		65	3/4"	3/4"
SAU0771516	0-180° Adj. Angle $\phi 16 \times 17$ mm with Digital Display VDI40 DIN 5482	$\phi 16 \times 17$	1:1	4000	X		65	16	17
SAU0771522	0-180° Adj. Angle $\phi 22 \times 19$ mm with Digital Display VDI40 DIN 5482	$\phi 22 \times 19$	1:1	4000	X		66	22	19

Note : Wrenches are provided with the purchase of Specialty Toolholders

SKT28LM - L280LM

DRIVEN

AXIAL DRIVEN TOOL VDI40



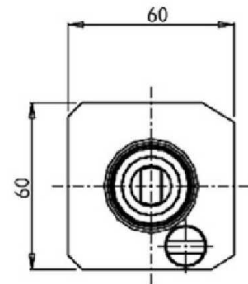
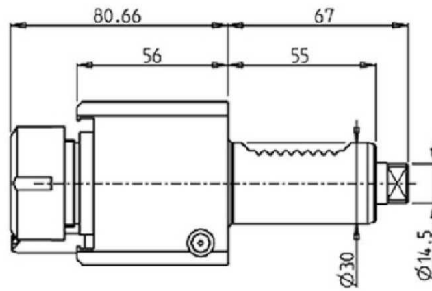
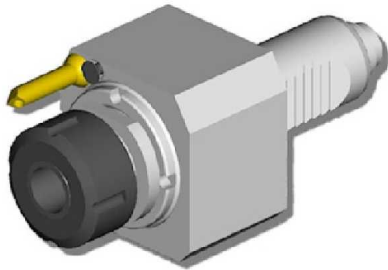
Part Number	Description	Spindle	I	RPM	Cool Thru	Ext Cool	A	A1	B	D	L
KIA0010132	Axial Driven Tool ER32 VDI40	ER32	1:1	4000		X	99.7	58.5			
KIA0010232	Axial Driven Tool ER32 VDI40 Cool Thru*	ER32	1:1	4000	X	X	99.7	69.5			
KIA0010140	Axial Driven Tool ER40 VDI40	ER40	1:1	4000		X	103.7	58.5			
KIA0010240	Axial Driven Tool ER40 VDI40 Cool Thru*	ER40	1:1	4000	X	X	103.7	69.5			
253KIA_R22_40A00	Axial Driven Tool Ø22x19mm VDI40	Ø22x19	1:1	4000		X	78.5	58.5	22	19	
253KIA_R27_40A00	Axial Driven Tool Ø27x21mm VDI40	Ø27x21	1:1	4000		X	78.5	58.5	27	21	

* Coolant Thru tools are designed for 1000 psi.
They require 5 Micron Filtration and **CANNOT** be run dry.

E160LM - E200M - SKT100M - SKT160LM

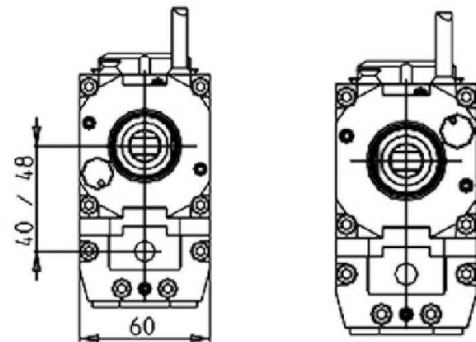
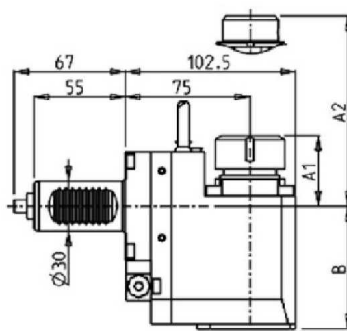
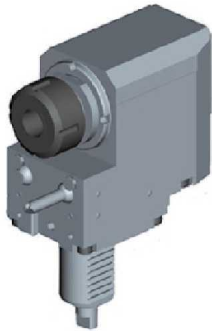
DRIVEN

AXIAL DRIVEN TOOL VDI30



Part Number	Description	Spindle	I	RPM	Ext Cool
KIA0020125	Axial Driven Tool ER25 VDI30	ER25	1:1	6000	X

RADIAL REAR-SET DRIVEN TOOL VDI30 H=75mm



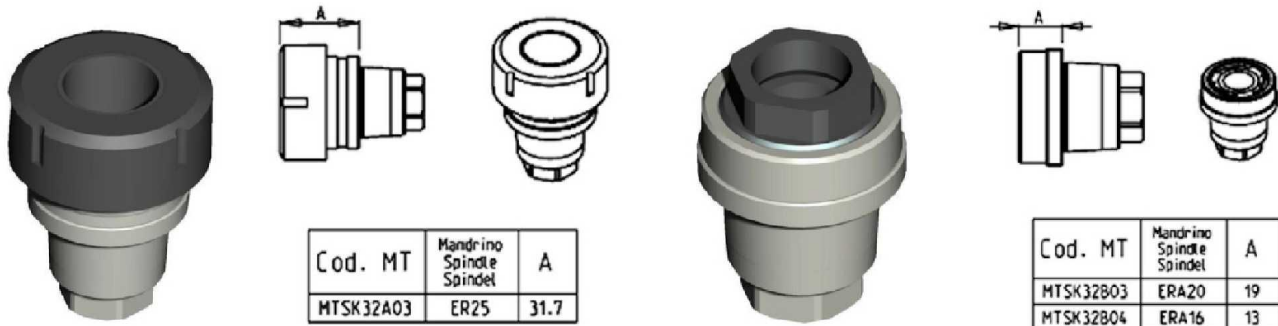
Part Number	Description	Spindle	I	RPM	Cool Thru	Ext Cool	A1	A2	B
KIA0030320	Radial Rear-Set ERA20 Right Version	ERA20	1:1	6000		X	24.5	73.5	
KIA0031320	Radial Rear-Set ERA20 Left Version	ERA20	1:1	6000		X	24.5	73.5	
KIA0030420	Radial Rear-Set ERA20 Right Version Cool Thru*	ERA20	1:1	6000	X	X	24.5	83.5	
KIA0031420	Radial Rear-Set ERA20 Left Version Cool Thru*	ERA20	1:1	6000	X	X	24.5	83.5	
KIA0030120	Radial Rear-Set ER20 Right Version	ER20	1:1	6000		X	41.16	73.5	
KIA0031120	Radial Rear-Set ER20 Left Version	ER20	1:1	6000		X	41.16	73.5	
KIA0030220	Radial Rear-Set ER20 Right Version Cool Thru*	ER20	1:1	6000	X	X	41.16	83.5	
KIA0031220	Radial Rear-Set ER20 Left Version Cool Thru*	ER20	1:1	6000	X	X	41.16	83.5	
KIA0030325	Radial Rear-Set ERA25 Right Version	ERA25	1:1	6000		X	28.5	73.5	
KIA0031325	Radial Rear-Set ERA25 Left Version	ERA25	1:1	6000		X	28.5	73.5	
KIA0030425	Radial Rear-Set ERA25 Right Version Cool Thru*	ERA25	1:1	6000	X	X	28.5	83.5	
KIA0031425	Radial Rear-Set ERA25 Left Version Cool Thru*	ERA25	1:1	6000	X	X	28.5	83.5	
KIA0030125	Radial Rear-Set ER25 Right Version	ER25	1:1	6000		X	42.16	73.5	
KIA0031125	Radial Rear-Set ER25 Left Version	ER25	1:1	6000		X	42.16	73.5	
KIA0030225	Radial Rear-Set ER25 Right Version Cool Thru*	ER25	1:1	6000	X	X	42.16	83.5	
KIA0031225	Radial Rear-Set ER25 Left Version Cool Thru*	ER25	1:1	6000	X	X	42.16	83.5	
KIA0030516	Radial Rear-Set Weldon 16 Right Version	Weldon 16	1:1	6000		X		27.5	73.5
KIA0031516	Radial Rear-Set Weldon 16 Left Version	Weldon 16	1:1	6000		X		27.5	73.5

* Coolant Thru tools are designed for 1000 psi. They require 5 Micron Filtration and **CANNOT** be run dry.

ACCESSORIES

DRIVEN

MTSK-32 ER ADAPTORS

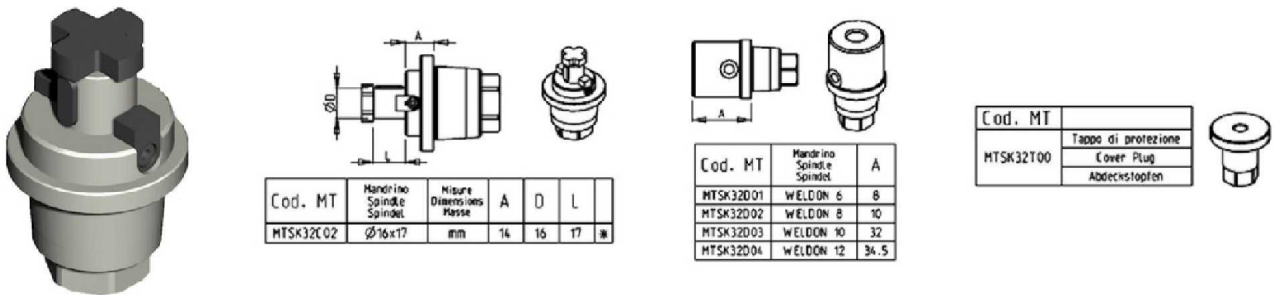


Cod. MT	Mandrino Spindel	A
MTSK32A03	ER25	31.7

Cod. MT	Mandrino Spindel	A
MTSK32B03	ERA20	19
MTSK32B04	ERA16	13

Part Number	Description	Spindle	A
MTSK32B04	MTSK-32 Adaptor ERA16	ERA16	13
MTSK32B03	MTSK-32 Adaptor ERA20	ERA20	19
MTSK32A03	MTSK-32 Adaptor ER25	ER25	31.7

MTSK-32 MILL ADAPTORS



Cod. MT	Mandrino Spindel	Misure Diametri/Classi	A	D	L
MTSK32C02	∅16x17	mm	14	16	17

Cod. MT	Mandrino Spindel	A
MTSK32D01	WELDON 6	8
MTSK32D02	WELDON 8	10
MTSK32D03	WELDON 10	32
MTSK32D04	WELDON 12	34.5

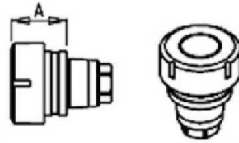
Cod. MT	Tappo di protezione
MTSK32T00	Cover Plug
	Abdeckstopfen

Part Number	Description	Spindle	Dimensions	A	D	L
MTSK32C02	MTSK-32 Adaptor Mill 16x17	16x17	mm	14	16	17
MTSK32D01	MTSK-32 Adaptor Weldon 6	Weldon 6		8		
MTSK32D02	MTSK-32 Adaptor Weldon 8	Weldon 8		10		
MTSK32D03	MTSK-32 Adaptor Weldon 10	Weldon 10		32		
MTSK32D04	MTSK-32 Adaptor Weldon 12	Weldon 12		34.5		
MTSK32T00	MTSK-32 Cover Plug					

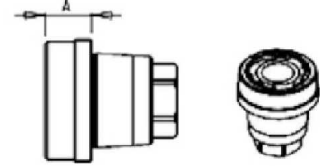
ACCESSORIES

DRIVEN

MTSK-40 ER ADAPTORS



Cod. MT	Mandrino Spindle	A
MTSK40A02	ER32	35.6
MTSK40A03	ER25	32.6
MTSK40A05	ER16	30.26
MTSK40A06	ER16	47.5
MTSK40A07	ER16	59
MTSK40A08	ER11	40
MTSK40A09	ER11	70



Cod. MT	Mandrino Spindle	A
MTSK40B02	ERA25	16
MTSK40B03	ERA20	14

Part Number	Description	Spindle	A
MTSK40A08	MTSK-40 Adaptor ER11	ER11	40
MTSK40A09	MTSK-40 Adaptor ER11	ER11	70
MTSK40A05	MTSK-40 Adaptor ER16	ER16	30.26
MTSK40A06	MTSK-40 Adaptor ER16	ER16	47.5
MTSK40A07	MTSK-40 Adaptor ER16	ER16	59
MTSK40B03	MTSK-40 Adaptor ERA20	ERA20	14
MTSK40A03	MTSK-40 Adaptor ER25	ER25	32.6
MTSK40B02	MTSK-40 Adaptor ERA25	ERA25	16
MTSK40A02	MTSK-40 Adaptor ER32	ER32	35.6

ACCESSORIES

DRIVEN

MTSK-40 MILL ADAPTORS



Cod. MT	Handline Spindle	A
MTSK40D01	WELDON 6	8
MTSK40D21	WELDON 6	27.5
MTSK40D02	WELDON 8	8
MTSK40D03	WELDON 10	9
MTSK40D04	WELDON 12	14
MTSK40D05	WELDON 16	39.5
MTSK40D07	WELDON 20	39.5
MTSK40D24	WELDON 10	33
MTSK40D25	WELDON 12	35.5

Cod. MT	Handline Spindle	A
MTSK40G03	MR25	33.6

Cod. MT	Handline Spindle	Measure	A	D	L
MTSK40D02	Ø 16x17	inch	15	16	17
MTSK40D03	Ø 22x19	inch	17	22	19
MTSK40D05	Ø 27x21	mm	22	27	21

Cod. MT	Handline Spindle	A
MTSK40D11	WELDON 1/4"	8
MTSK40D12	WELDON 5/16"	8
MTSK40D13	WELDON 3/8"	9
MTSK40D14	WELDON 1/2"	14

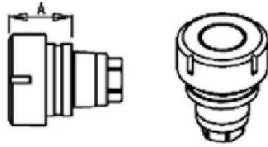
Cod. MT	Handline Spindle	Measure	A	D	L
MTSK40H01	MORSE 1	inch	29	1/2"	6.5
MTSK40H02	MORSE 2	inch	42	1/2"	6.5

Part Number	Description	Spindle	Dimension	A	D	L
MTSK40C03	MTSK-40 Adaptor Mill 3/4"	3/4"x3/4"	Inch	15.5	3/4"	3/4"
MTSK40C02	MTSK-40 Adaptor Mill 16x17	16x17	mm	15	16	17
MTSK40C04	MTSK-40 Adaptor Mill 22x19	22x19	mm	17	22	19
MTSK40C05	MTSK-40 Adaptor Mill 27x21	27x21	mm	22	27	21
MTSK40F01	MTSK-40 Adaptor Mill 1/2"	1/2" Arbor	Inch	32	1/2"	6.5
MTSK40D11	MTSK-40 Adaptor Weldon 1/4"	Weldon 1/4"		8		
MTSK40D12	MTSK-40 Adaptor Weldon 5/16"	Weldon 5/16"		8		
MTSK40D13	MTSK-40 Adaptor Weldon 3/8"	Weldon 3/8"		9		
MTSK40D14	MTSK-40 Adaptor Weldon 1/2"	Weldon 1/2"		14		
MTSK40D01	MTSK-40 Adaptor Weldon 6	Weldon 6		8		
MTSK40D21	MTSK-40 Adaptor Weldon 6	Weldon 6		27.5		
MTSK40D02	MTSK-40 Adaptor Weldon 8	Weldon 8		8		
MTSK40D03	MTSK-40 Adaptor Weldon 10	Weldon 10		9		
MTSK40D24	MTSK-40 Adaptor Weldon 10	Weldon 10		33		
MTSK40D04	MTSK-40 Adaptor Weldon 12	Weldon 12		14		
MTSK40D25	MTSK-40 Adaptor Weldon 12	Weldon 12		35.5		
MTSK40D06	MTSK-40 Adaptor Weldon 16	Weldon 16		39.5		
MTSK40D07	MTSK-40 Adaptor Weldon 20	Weldon 20		39.5		
MTSK40H01	MTSK-40 Adaptor Morse 1	MORSE-1		29		
MTSK40H02	MTSK-40 Adaptor Morse 2	MORSE-2		42		
MTSK40G03	MTSK-40 Adaptor MR25	MR25		33.6		
MTSK40T00	MTSK-40 Cover Plug					

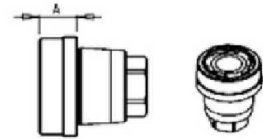
ACCESSORIES

DRIVEN

MTSK-50 ER ADAPTORS



Cod. MT	Mandrina Spindle	A
MTSK50A01	ER40	46.6
MTSK50A02	ER32	35.6
MTSK50A03	ER25	32.6
MTSK50A05	ER16	30.3



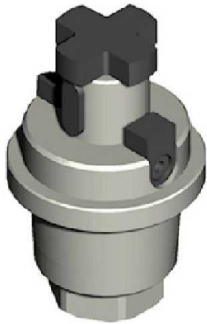
Cod. MT	Mandrina Spindle	A
MTSK50B01	ERA32	19
MTSK50B02	ERA25	14
MTSK50B03	ERA20	9

Part Number	Description	Spindle	A
MTSK50A05	MTSK-50 Adaptors ER16	ER16	30.3
MTSK50B03	MTSK-50 Adaptors ERA20	ERA20	9
MTSK50A03	MTSK-50 Adaptors ER25	ER25	32.6
MTSK50B02	MTSK-50 Adaptors ERA25	ERA25	14
MTSK50A02	MTSK-50 Adaptors ER32	ER32	35.6
MTSK50B01	MTSK-50 Adaptors ERA32	ERA32	19
MTSK50A01	MTSK-50 Adaptors ER40	ER40	46.6

ACCESSORIES

DRIVEN

MTSK-50 MILL ADAPTORS



Cod. MT	Manifino Spindle	Misure Dimensioni Masse	A	D	L
MTSK50C02	Ø 16x17	mm	15	16	17
MTSK50C03	Ø 3/4" x 3/4"	inch	15.5	3/4"	3/4"
MTSK50C04	Ø 22x19	mm	17	22	19
MTSK50C05	Ø 1" x 3/4"	inch	19	1"	3/4"
MTSK50C06	Ø 27x21	mm	19	27	21
MTSK50C07	Ø 32x24	mm	24	32	24

Cod. MT	Manifino Spindle	A
MTSK50D11	WELDON 1/4"	8
MTSK50D12	WELDON 5/16"	8
MTSK50D13	WELDON 3/8"	8
MTSK50D14	WELDON 1/2"	9
MTSK50D15	WELDON 5/8"	12

Cod. MT	Manifino Spindle	A
MTSK50D01	WELDON 6	8
MTSK50D02	WELDON 8	8
MTSK50D03	WELDON 10	8
MTSK50D04	WELDON 12	9
MTSK50D05	WELDON 16	12
MTSK50D07	WELDON 20	40
MTSK50D08	WELDON 25	44

Cod. MT	Manifino Spindle	A
MTSK50E01	POWERGRIP PG25	40

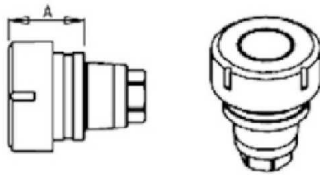
Cod. MT	Manifino Spindle	A
MTSK50T00	Tappe di protezione Cover Plug	

Part Number	Description	Spindle	Dimensions	A	D	L
MTSK50C03	MTSK-50 Adaptors Mill	3/4"x3/4"	Inch	15.5	3/4"	3/4"
MTSK50C05	MTSK-50 Adaptors Mill	1"x3/4"	Inch	19	1"	3/4"
MTSK50C02	MTSK-50 Adaptors Mill	16x17	mm	15	16	17
MTSK50C04	MTSK-50 Adaptors Mill	22x19	mm	17	22	19
MTSK50C06	MTSK-50 Adaptors Mill	27x21	mm	19	27	21
MTSK50C07	MTSK-50 Adaptors Mill	32x24	mm	24	32	24
MTSK50D11	MTSK-50 Adaptor Weldon 1/4"	Weldon 1/4"		8		
MTSK50D12	MTSK-50 Adaptor Weldon 5/16"	Weldon 5/16"		8		
MTSK50D13	MTSK-50 Adaptor Weldon 3/8"	Weldon 3/8"		8		
MTSK50D14	MTSK-50 Adaptor Weldon 1/2"	Weldon 1/2"		9		
MTSK50D15	MTSK-50 Adaptor Weldon 5/8"	Weldon 5/8"		12		
MTSK50D01	MTSK-50 Adaptor Weldon 6	Weldon 6		8		
MTSK50D02	MTSK-50 Adaptor Weldon 8	Weldon 8		8		
MTSK50D03	MTSK-50 Adaptor Weldon 10	Weldon 10		8		
MTSK50D04	MTSK-50 Adaptor Weldon 12	Weldon 12		9		
MTSK50D05	MTSK-50 Adaptor Weldon 16	Weldon 16		12		
MTSK50D07	MTSK-50 Adaptor Weldon 20	Weldon 20		40		
MTSK50D08	MTSK-50 Adaptor Weldon 25	Weldon 25		44		
MTSK50E01	MTSK-50 Adaptor POWERGRIP PG25	POWERGRIP PG25		40		
MTSK50T00	MTSK-50 Cover Plug					

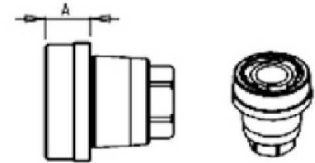
ACCESSORIES

DRIVEN

MTSK-63 ER ADAPTORS



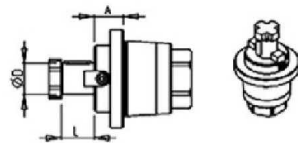
Cod. MT	Mandrino Spindle Spindel	A
MTSK63A01	ER50	53.9
MTSK63A02	ER40	39.6
MTSK63A03	ER32	36.6
MTSK63A04	ER25	33.6



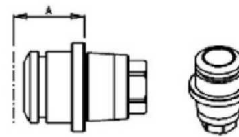
Cod. MT	Mandrino Spindle Spindel	A
MTSK63B01	ERA40	20
MTSK63B02	ERA32	18
MTSK63B03	ERA25	10

Part Number	Description	Spindle	A
MTSK63A04	MTSK-63 Adaptor ER25	ER25	33.6
MTSK63B03	MTSK-63 Adaptor ERA25	ERA25	10
MTSK63A03	MTSK-63 Adaptor ER32	ER32	36.6
MTSK63B02	MTSK-63 Adaptor ERA32	ERA32	18
MTSK63A02	MTSK-63 Adaptor ER40	ER40	39.6
MTSK63B01	MTSK-63 Adaptor ERA40	ERA40	20
MTSK63A01	MTSK-63 Adaptor ER50	ER50	53.9

MTSK-63 MILL ADAPTORS

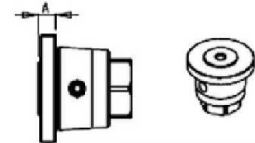


Cod. MT	Mandrino Spindle Spindel	Misure Dimensions Masse	A	D	L
MTSK63C02	Ø16x17	mm	16	16	17
MTSK63C03	Ø3/4"x3/4"	Inch	16.5	3/4"	3/4"
MTSK63C04	Ø22x19	mm	18	22	19
MTSK63C05	Ø1"x3/4"	Inch	20	1"	3/4"
MTSK63C06	Ø27x21	mm	20	27	21
MTSK63C07	Ø27x21	mm	40	27	21



Cod. MT	Mandrino Spindle Spindel	A
MTSK63E01	POWERGRIP PG32	53

Cod. MT	Tabco di protezione Cover Plug Abdeckstopfen
MTSK63T00	



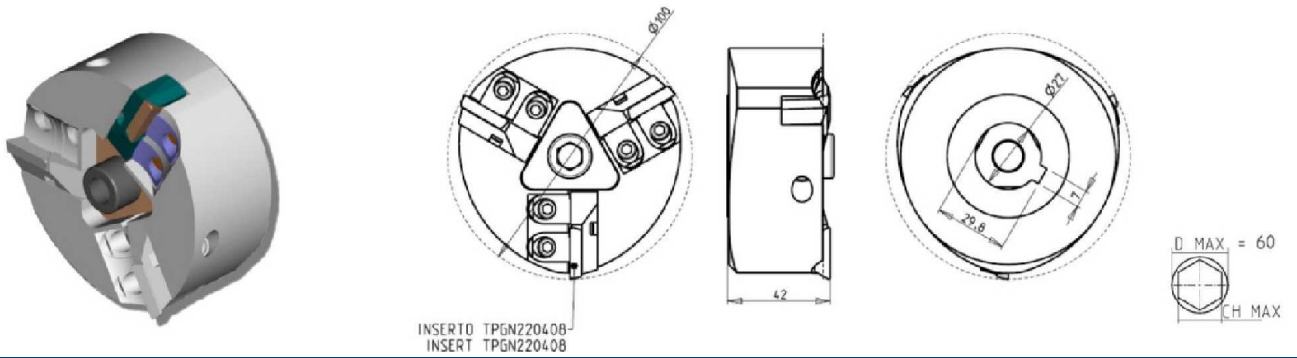
Cod. MT	Mandrino Spindle Spindel	A
MTSK63D01	WELDON 6	9
MTSK63D02	WELDON 8	9
MTSK63D03	WELDON 10	9
MTSK63D04	WELDON 12	10
MTSK63D05	WELDON 16	12
MTSK63D06	WELDON 20	14
MTSK63D17	WELDON 1"	14

Part Number	Description	Spindle	Dimensions	A	D	L
MTSK63C03	MTSK-63 Adaptor Mill 3/4"x3/4"	3/4"x3/4"	Inch	16.5	3/4"	3/4"
MTSK63C05	MTSK-63 Adaptor Mill 1"x3/4"	1"x3/4"	Inch	20	1"	3/4"
MTSK63C02	MTSK-63 Adaptor Mill 16x17	16x17	mm	16	16	17
MTSK63C04	MTSK-63 Adaptor Mill 22x19	22x19	mm	18	22	19
MTSK63C06	MTSK-63 Adaptor Mill 27x21	27x21	mm	20	27	21
MTSK63C07	MTSK-63 Adaptor Mill 27x21	27x21	mm	40	27	21
MTSK63D17	MTSK-63 Adaptor Weldon 1"	Weldon 1"		14		
MTSK63D01	MTSK-63 Adaptor Weldon 6	Weldon 6		9		
MTSK63D02	MTSK-63 Adaptor Weldon 8	Weldon 8		9		
MTSK63D03	MTSK-63 Adaptor Weldon 10	Weldon 10		9		
MTSK63D04	MTSK-63 Adaptor Weldon 12	Weldon 12		10		
MTSK63D05	MTSK-63 Adaptor Weldon 16	Weldon 16		12		
MTSK63D06	MTSK-63 Adaptor Weldon 20	Weldon 20		14		
MTSK63E01	MTSK-63 POWERGRIP PG32	POWERGRIP PG32		53		
MTSK63T00	MTSK-63 Cover Plug					

ACCESSORIES

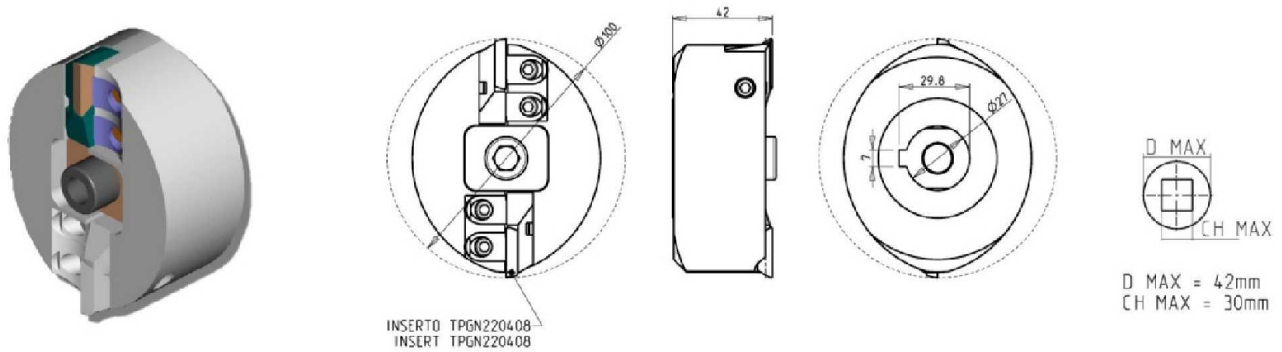
DRIVEN

POLYGON MAKING MILL HEAD (3 INSERTS)



Part Number	Description
P01Z30A100	3 Insert Polygon Making Head (with Inserts)
TPGN220408	10 Inserts for Polygon Making Heads

POLYGON MAKING MILL HEAD (2 INSERTS)



Part Number	Description
P01Z20A100	2 Insert Polygon Making Head (with Inserts)
TPGN220408	10 Inserts for Polygon Making Heads

ER COLLETS

ER COLLET NUMBER	DESCRIPTION	MD LIST PRICE
ER20 SET	ER20 Collet Set (15 Collets)	\$ 330.00
ERX20 SET	ER20 Sealed Collet Set (13 Collets)	\$ 395.00
ER25 SET	ER25 Collet Set (19 Collets)	\$ 375.00
ERX25 SET	ER25 Sealed Collet Set (17 Collets)	\$ 475.00
ER32 SET	ER32 Collet Set (21 Collets)	\$ 425.00
ERX32 SET	ER32 Sealed Collet Set (21 Collets)	\$ 595.00
ER40 SET	ER40 Collet Set (29 Collets)	\$ 695.00
ERX40 SET	ER40 Sealed Collet Set (27 Collets)	\$ 850.00



Phone: (810) 632-4446 / Fax: (810) 632-4467

Table of Contents

Alphabetized Listing

O

0-180 ADJUSTABLE ANGLE DRIVEN TOOL	103, 120
0-180 ADJUSTABLE ANGLE DRIVEN TOOL GEARED-UP 1:2 H=72mm	67
0-180 ADJUSTABLE ANGLE DRIVEN TOOL GEARED-UP 1:2 H=83mm	27
0-180 ADJUSTABLE ANGLE DRIVEN TOOL GEARED-UP 1:2 WITH DIGITAL DISPLAY H=72mm	67
0-180 ADJUSTABLE ANGLE DRIVEN TOOL GEARED-UP 1:2 WITH DIGITAL DISPLAY H=83mm	27
0-180 ADJUSTABLE ANGLE DRIVEN TOOL H=100mm	65
0-180 ADJUSTABLE ANGLE DRIVEN TOOL H=54mm	64
0-180 ADJUSTABLE ANGLE DRIVEN TOOL H=72mm	66
0-180 ADJUSTABLE ANGLE DRIVEN TOOL H=83mm	26
0-180 ADJUSTABLE ANGLE DRIVEN TOOL H=88.5mm	25
0-180 ADJUSTABLE ANGLE DRIVEN TOOL WITH DIGITAL DISPLAY H=100mm	65
0-180 ADJUSTABLE ANGLE DRIVEN TOOL WITH DIGITAL DISPLAY H=54mm	64
0-180 ADJUSTABLE ANGLE DRIVEN TOOL WITH DIGITAL DISPLAY H=72mm	66
0-180 ADJUSTABLE ANGLE DRIVEN TOOL WITH DIGITAL DISPLAY H=83mm	26
0-180° ADJUSTABLE ANGLE DRIVEN TOOL	8
0-180° ADJUSTABLE ANGLE DRIVEN TOOL VDI40 DIN 5482	129
0-180° ADJUSTABLE ANGLE DRIVEN TOOL WITH DIGITAL DISPLAY VDI40 DIN 5482	129

A

ACCESSORIES	132-138
AXIAL 2 POSITION REAR-SET BORING BAR HOLDER	14
AXIAL DRIVEN TOOL CAPTO C4 H=100mm	84
AXIAL DRIVEN TOOL CAPTO C4 H=72mm	82
AXIAL DRIVEN TOOL CAPTO C4 H=85mm	83
AXIAL DRIVEN TOOL CAPTO C4 H=95mm	83
AXIAL DRIVEN TOOL COROMANT CAPTO H=110mm	109
AXIAL DRIVEN TOOL COROMANT CAPTO H=60mm	108
AXIAL DRIVEN TOOL FOR INTERNAL POLYGON MAKING	22
AXIAL DRIVEN TOOL H=100mm	53
AXIAL DRIVEN TOOL H=110mm	116
AXIAL DRIVEN TOOL H=60mm	96
AXIAL DRIVEN TOOL H=65mm	4
AXIAL DRIVEN TOOL H=72mm	40
AXIAL DRIVEN TOOL H=85mm	20, 44, 114
AXIAL DRIVEN TOOL H=95mm	48
AXIAL DRIVEN TOOL VDI30	131
AXIAL DRIVEN TOOL VDI40	130
AXIAL DRIVEN TOOL VDI40 DIN 5482	126
AXIAL GEARED-DOWN 2:1 DRIVEN TOOL H=100mm	57
AXIAL GEARED-DOWN 2:1 DRIVEN TOOL H=110mm	118
AXIAL GEARED-DOWN 2:1 DRIVEN TOOL H=60mm	101
AXIAL GEARED-DOWN 2:1 DRIVEN TOOL H=85mm	117
AXIAL GEARED-DOWN 2:1 DRIVEN TOOL H=90mm	102
AXIAL GEARED-UP 1:2 DRIVEN TOOL H=100mm	58
AXIAL GEARED-UP 1:2 DRIVEN TOOL H=110mm	119
AXIAL GEARED-UP 1:2 DRIVEN TOOL H=65mm	6
AXIAL GEARED-UP 1:2 DRIVEN TOOL H=72mm	58
AXIAL GEARED-UP 1:2 DRIVEN TOOL H=85mm	21
AXIAL GEARED-UP 1:2 DRIVEN TOOL REDIRECTED BY 42mm VDI40	126
AXIAL GEARED-UP 1:2 OPPOSITE FACE TWIN DRIVEN TOOL H=85mm	23
AXIAL GEARED-UP 1:2 SINGLE SIDE TWIN HEAD DRIVEN TOOL IN Y	24
AXIAL GEARED-UP 1:3 DRIVEN TOOL	119
AXIAL GEARED-UP 1:3 DRIVEN TOOL H=60mm	102
AXIAL GEARED-UP 1:3 REAR-SET DRIVEN TOOL H=65mm	6
AXIAL GEARED-UP 1:3 REAR-SET DRIVEN TOOL H=85mm	7

AXIAL GEARED-UP 1:5.625 DRIVEN TOOL	22
AXIAL MULTIPLE 2+2 OUTLET DRIVEN TOOL IN Y	25
AXIAL OPPOSITE FACE DRIVEN TOOL	23
AXIAL OPPOSITE FACE DRIVEN TOOL H=100mm	60
AXIAL OPPOSITE FACE DRIVEN TOOL H=100mm	61
AXIAL OPPOSITE FACE DRIVEN TOOL H=72mm	59
AXIAL OPPOSITE FACE DRIVEN TOOL H=85mm	23, 59
AXIAL OPPOSITE FACE DRIVEN TOOL H=95mm	60
AXIAL OPPOSITE FACE REAR-SET DRIVEN TOOL	7
AXIAL OPPOSITE FACE REAR-SET TWIN STATIC TOOL CAPTO C4	90
AXIAL OPPOSITE FACE TWIN DRIVEN TOOL CAPTO C4 H=100mm	85
AXIAL OPPOSITE FACE TWIN DRIVEN TOOL CAPTO C4 H=85mm	84
AXIAL REAR SET BORING BAR HOLDER H=85mm	80
AXIAL REAR-SET BORING BAR HOLDER H=100mm	35
AXIAL REAR-SET DRIVEN TOOL H=85mm	5
AXIAL REAR-SET DRIVEN TOOL H=95mm	50
AXIAL REAR-SET OPPOSITE FACE TWIN DRIVEN TOOL VDI40 DIN 5482	127
AXIAL REINFORCED DRIVEN TOOL H=100mm	54
AXIAL REINFORCED DRIVEN TOOL H=110mm	100
AXIAL REINFORCED DRIVEN TOOL H=60mm	96
AXIAL REINFORCED DRIVEN TOOL H=72mm	41
AXIAL REINFORCED DRIVEN TOOL H=85mm	45
AXIAL REINFORCED DRIVEN TOOL H=90mm	98
AXIAL REINFORCED DRIVEN TOOL H=95mm	49
AXIAL SINGLE BORING BAR HOLDER	77
AXIAL SINGLE BORING BAR HOLDER 40mm H=100mm	78
AXIAL SINGLE BORING BAR HOLDER 50mm H=100mm	79
AXIAL SINGLE BORING BAR HOLDER 50mm H=110mm	107
AXIAL SINGLE BORING BAR HOLDER 60mm H=100mm	79
AXIAL SINGLE BORING BAR HOLDER 60mm H=100mm	80
AXIAL SINGLE BORING BAR HOLDER H=100mm	34
AXIAL SINGLE BORING BAR HOLDER H=110mm	124
AXIAL SINGLE BORING BAR HOLDER H=65mm	13
AXIAL SINGLE BORING BAR HOLDER H=65mm	13
AXIAL SINGLE BORING BAR HOLDER H=72mm	78
AXIAL SINGLE BORING BAR HOLDER H=85mm	13, 124
AXIAL SINGLE SIDE TWIN HEAD DRIVEN TOOL	24
AXIAL SINGLE SIDE TWIN HEAD DRIVEN TOOL IN Y	8
AXIAL SINGLE SIDE TWIN HEAD DRIVEN TOOL IN Y H=100mm	63
AXIAL SINGLE SIDE TWIN HEAD DRIVEN TOOL IN Y H=85mm	62
AXIAL SINGLE STATIC TOOL	123
AXIAL SINGLE STATIC TOOL CAPTO C4	88
AXIAL SINGLE STATIC TOOL CAPTO C4	15, 88
AXIAL SINGLE STATIC TOOL CAPTO C5	89
AXIAL SINGLE STATIC TOOL CAPTO C6	89, 110, 125
AXIAL STATIC TOOL	34, 77, 107, 123

B

BROACHING/SLOTTING DRIVEN TOOL 25mm STROKE H=75mm	9
BROACHING/SLOTTING TOOL 25mm STROKE	30
BROACHING/SLOTTING TOOL 25mm STROKE H=100mm	71
BROACHING/SLOTTING TOOL 25mm STROKE H=85mm	71
BROACHING/SLOTTING TOOL 25mm STROKE H=90mm	105
BROACHING/SLOTTING TOOL 50mm STROKE	30
BROACHING/SLOTTING TOOL 50mm STROKE H=100mm	70
BROACHING/SLOTTING TOOL 50mm STROKE H=85mm	70
BROACHING/SLOTTING TOOL 50mm STROKE H=90mm	105

D

DOUBLE AXIAL 2+2 BORING BAR HOLDER	81
DRIVEN	1-9, 16-30, 37-42, 46-71, 82-85, 91-98, 108-109, 111-121, 126-138

Table of Contents

Alphabetized Listing

D					
DRIVEN GEAR HOBBER	9, 28, 68		RADIAL DOUBLE STATIC TOOL H=60mm		11
DRIVEN GEAR HOBBER - LARGE SIZE	104		RADIAL DOUBLE STATIC TOOL H=75mm		74
DRIVEN TOOL FOR WORM SCREWS	69		RADIAL DOUBLE STATIC TOOL H=90mm		73
E			RADIAL DRIVEN TOOL	1, 16, 91,	111
E160LM - E200M - SKT100M - SKT160LM	131		RADIAL DRIVEN TOOL CAPTO C4		82
G			RADIAL DRIVEN TOOL CAPTO C5		108
GEAR HOBBER - LARGE SIZE	121		RADIAL DRIVEN TOOL RE-DIRECTED IN Z BY 100mm		92
GEAR HOBBER - RADIAL DRIVEN	28		RADIAL DRIVEN TOOL RE-DIRECTED IN Z BY 110mm		112
GEAR HOBBER - REINFORCED	120		RADIAL DRIVEN TOOL REDIRECTED IN Z BY 36mm		2
M			RADIAL DRIVEN TOOL RE-DIRECTED IN Z BY 36mm		17
MTSK-32 ER ADAPTORS	132		RADIAL GEARED-DOWN 2:1 DRIVEN TOOL RE-DIRECTED IN Z BY 100mm		92
MTSK-32 MILL ADAPTORS	132		RADIAL GEARED-DOWN 2:1 DRIVEN TOOL RE-DIRECTED IN Z BY 110mm		112
MTSK-40 ER ADAPTORS	133		RADIAL GEARED-DOWN 2:1 DRIVEN TOOL RE-DIRECTED IN Z BY 36mm		17
MTSK-40 MILL ADAPTORS	134		RADIAL GEARED-DOWN 2:1 DRIVEN TOOL REDIRECTED IN Z BY 80mm		38
MTSK-50 ER ADAPTORS	135		RADIAL GEARED-UP 1:2 DRIVEN TOOL REDIRECTED IN Z BY 36mm	2, 38	
MTSK-50 MILL ADAPTORS	136		RADIAL GEARED-UP 1:2 DRIVEN TOOL RE-DIRECTED IN Z BY 36mm		18
MTSK-63 ER ADAPTORS	137		RADIAL GEARED-UP 1:2 RE-DIRECTED DRIVEN TOOL IN Z BY 47.5mm		93
MTSK-63 MILL ADAPTORS	137		RADIAL GEARED-UP 1:3 DRIVEN TOOL REDIRECTED IN Z BY 36mm		3
P			RADIAL GEARED-UP 1:3 DRIVEN TOOL RE-DIRECTED IN Z BY 70mm		113
POLYGON MAKING MILL HEAD (2 INSERTS)	138		RADIAL GEARED-UP 1:4 DRIVEN TOOL		94
POLYGON MAKING MILL HEAD (3 INSERTS)	138		RADIAL GEARED-UP DRIVEN TOOL I=1:5.625		18
Q			RADIAL INVERTED DRIVEN TOOL RE-DIRECTED IN Z BY 187.5mm		94
QUICK CHANGE AXIAL MTSK DRIVEN TOOL H=100mm	55		RADIAL INVERTED DRIVEN TOOL RE-DIRECTED IN Z BY 250mm		39
QUICK CHANGE AXIAL MTSK DRIVEN TOOL H=110mm	116		RADIAL MULTIPLE STATIC TOOL		75
QUICK CHANGE AXIAL MTSK DRIVEN TOOL H=65mm	4		RADIAL REAR-SET DRIVEN TOOL VDI30 H=75mm		131
QUICK CHANGE AXIAL MTSK DRIVEN TOOL H=72mm	42		RADIAL REAR-SET DRIVEN TOOL VDI40 DIN 5482		128
QUICK CHANGE AXIAL MTSK DRIVEN TOOL H=85mm	46, 115		RADIAL REAR-SET SINGLE STATIC TOOL		73
QUICK CHANGE AXIAL MTSK DRIVEN TOOL H=95mm	51		RADIAL RE-DIRECTED DRIVEN TOOL IN Z BY 47.5mm		93
QUICK CHANGE AXIAL MTSK GEARED-DOWN 2:1 DRIVEN TOOL H=110mm	118		RADIAL REINFORCED DRIVEN TOOL		37
QUICK CHANGE AXIAL MTSK GEARED-DOWN 2:1 DRIVEN TOOL H=85mm	117		RADIAL SINGLE REAR-SET STATIC CAPTO C6		86
QUICK CHANGE AXIAL MTSK REAR-SET DRIVEN TOOL H=85mm	5		RADIAL SINGLE REAR-SET STATIC TOOL CAPTO C4		86
QUICK CHANGE AXIAL MTSK REINFORCED DRIVEN TOOL H=100mm	56		RADIAL SINGLE REAR-SET STATIC TOOL CAPTO C5		86
QUICK CHANGE AXIAL MTSK REINFORCED DRIVEN TOOL H=72mm	43		RADIAL SINGLE SIDE TWIN HEAD DRIVEN TOOL IN Y	3, 113	
QUICK CHANGE AXIAL MTSK REINFORCED DRIVEN TOOL H=85mm	47		RADIAL SINGLE SIDE TWIN STATIC TOOL	10, 32	
QUICK CHANGE AXIAL MTSK REINFORCED DRIVEN TOOL H=95mm	52		RADIAL SINGLE STATIC TOOL	10, 106	
QUICK CHANGE AXIAL MTSK-40 DRIVEN TOOL FOR POWER SKIVING H=100mm	68		RADIAL SINGLE STATIC TOOL H=100mm		31
QUICK CHANGE AXIAL MTSK-40 DRIVEN TOOL FOR POWER SKIVING H=90mm	29		RADIAL SINGLE STATIC TOOL H=60mm		31
QUICK CHANGE AXIAL MTSK-40 DRIVEN TOOL H=85mm	21		RADIAL SINGLE STATIC TOOL H=75mm		72
QUICK CHANGE AXIAL MTSK-50 REINFORCED DRIVEN TOOL H=110mm	101		RADIAL SINGLE STATIC TOOL H=90mm		72
QUICK CHANGE AXIAL MTSK-50 REINFORCED DRIVEN TOOL H=60mm	97		RADIAL SINGLE-SIDE TWIN HEAD DRIVEN TOOL IN Y-AXIS	19, 39	
QUICK CHANGE AXIAL MTSK-50 REINFORCED DRIVEN TOOL H=90mm	99		RADIAL STATIC TOOL	106, 122	
QUICK CHANGE RADIAL MTSK DRIVEN TOOL	1		REINFORCED DRIVEN GEAR HOBBER		103
QUICK CHANGE RADIAL MTSK REINFORCED DRIVEN TOOL	37		S		
QUICK CHANGE RADIAL MTSK-40 DRIVEN TOOL	16		SE2200 M/LM/LMS/MA/LMA/LMSA/LMC/LMSC/Y/LY/LSY/YA/LYA/LSYA (BMT45)		1-15
QUICK CHANGE RADIAL MTSK-50 DRIVEN TOOL	91		See Accessories for MTSK Quick Change Tool Holder Clamps	1, 4-5, 16, 21, 29, 37, 42-43, 46-47, 51-52, 55-56, 68, 91, 97, 99, 101, 111, 115-118	
QUICK CHANGE RADIAL MTSK-63 DRIVEN TOOL	111		See Accessories for Polygon Making Mill Heads		22
R			SINGLE REAR-SET RADIAL STATIC TOOL CAPTO C4		36
RADIAL ±25° ADJUSTABLE ANGLE DRIVEN TOOL REDIRECTED BY 50mm	95		SKT15LM/LMS - L150LMSA - SKT21LM/LMS - L210LMSA		126-129
RADIAL ±30° ADJUSTABLE ANGLE DRIVEN TOOL REDIRECTED BY 30mm	19		SKT160TTMS/TTSY - LM1600TTMS/TTSY - SKT180TTMS/TTSY LM1800TTMS/TTSY - L160/230LMSA - HD2200-2600M/Y/SY (BMT55)		16-36
RADIAL BLADE HOLDER WITH BLADE KIT	12, 75		SKT200TTM/TTMS/TTSY - LM2000TTM/TTMS/TTSY L2000/2100/2600/3000Y/SY - L300M/LM/MS/LMS - SKT250TTM/TTMS/TTSY - LM2500TTM/TTMS/TTSY - SKT250M/LM/MS - SKT300M/LM/MS - SKT-V3RM/LM - KM2600MTTS - LV450RM/LM - HD2600/3100 (BMT65)		37-90
RADIAL BLADE HOLDER WITH INTERNAL COOLANT - BLADE KIT NOT INCLUDED	12		SKT28LM - L280LM		130
RADIAL BLADE HOLDER WITH INTERNAL COOLANT-BLADE KIT NOT INCLUDED	33, 76		SKT400M/LMC - L400/500 MA/MC/LMC - SKT-V80RM/LM LV500RM/LM - LV800RM/LM - LV8500RM/LM (BMT75)		91-110
RADIAL DOUBLE BLADE HOLDER WITH BLADE KIT	33				
RADIAL DOUBLE SIDE TWIN STATIC TOOL	11, 32, 74				
RADIAL DOUBLE STATIC TOOL CAPTO C4	87				

Table of Contents

Alphabetized Listing

S

SKT600LM - L600LMA - SKT700LM - SKT-V110RM - L700LMA L800LMA - LV1100RM - KL7000/8000LY (BMT85)	111-125
STATIC	10-15, 31-36, 72-81, 86-90, 106, 110, 122-125

T

TAILSTOCK FOR SUBSPINDLE	14, 35, 81
--------------------------	------------

W

WORM GEAR DRIVEN TOOL	29
-----------------------	----

Table of Contents

Part Number Index

0			DWO 0029110	Internal Polygon-Making Weldon 10	22
0321100	Gear Hobbing Tool 1:1	68	DWO 0029112	Internal Polygon-Making Weldon 12	22
0322100	Gear Hobbing Tool 2:1 Geared Down	68	DWO 0029116	Internal Polygon-Making Weldon 16	22
0330840	Axial ER40 BMT75	96	DWO 0029125	Internal Polygon-Making ERA25	22
0331040	Axial ER40 BMT75 Cool Thru*	96	DWO 0040116	0-180° Adjustable Angle ERA16	8
0621100	Gear Hobber 1:1	28	DWO 0051108	Radial Gear Hobber 1:1 D=8mm	28
0622100	Gear Hobber 2:1 Geared-Down	28	DWO 0051110	Radial Gear Hobber 1:1 D=10mm	28
0700025	Radial Inverted 250mm Interaxis ER25	39	DWO 0051113	Radial Gear Hobber 1:1 D=13mm	28
0700032	Radial Inverted 250mm Interaxis ER32	39	DWO 0051116	Radial Gear Hobber 1:1 D=16mm	28
0720016	Radial Redirected Mill Head 16x17mm	17	DWO 0070232	Axial Double Outlet ER32+ER32	60
0720022	Radial Redirected Mill Head 22x19mm	17	DWO 0073225	Axial Double Outlet ERA25+ERA32	60
0720025	Radial Redirected ER25	17	DWO 0080225	Axial Double Outlet ER25/ER25 H=85mm	23
0720027	Radial Redirected Mill Head 27x21mm	17	DWO 0080232	Axial Double Outlet ER32/ER32 H=85mm	23
0720032	Radial Redirected ER32	17	DWO 0101216	Axial Y AXIS Double Outlet ER16 H=85mm	24
0721225	Radial Geared-Up 1:2 Redirected ER25	18	DWO 0101225	Axial Y AXIS Double Outlet ER25 H=85mm	24
0722116	Radial Geared-Down Redirected Mill Head	17	DWO 0140125	Radial Geared-Up 1:2 Redirected ER25	38
0722122	Radial Geared-Down Redirected Mill Head	17	DWO 0181100	Driven Gear Hobber 1:1	120
0722127	Radial Geared-Down Redirected Mill Head	17	DWO 0182100	Driven Gear Hobber Geared-Down 2:1	120
0722132	Radial Geared-Down 2:1 Redirected ER32	17	DWO 0190211	Axial Geared-Up Cool Thru* H=85mm	22
0730016X2	Radial Double Outlet ER16	19	DWO 0190216	Axial Geared-Up H=85mm	22
0730025X2	Radial Double Outlet ER25	19	DWO 0204000	Axial Single BBH: 40mm, H=100mm	78
0761905	Radial Double-Side Twin Static Tool: 3/4"	32	DWO 0205000	Axial Single BBH: 50mm, H=100mm	79
0762000	Radial Double-Side Twin Static Tool: 20mm	32	DWO 0213175	Axial Double BBH: 1 1/4"	81
0762540	Radial Double-Side Twin Static Tool: 1"	32	DWO 0213200	Axial Double BBH: 32mm	81
0772500	Radial Single-Side Twin Double Tool: 25mm	32	DWO 0251100	Gear Hobb Driven Tool	103
0772540	Radial Single-Side Twin Double Tool: 1"	32	DWO 0252100	Gear Hobb Driven Tool Geared-Down 2:1	103
080003	Removable Tailstock Center	35	DWO 0272000	Radial Double Static Tool Ø20mm	73
080003	Removable Tailstock Center	14	DWO 0272500	Radial Double Static Tool Ø25mm	73
080003	Removable Tailstock Center	81	DWO 0272510	Radial Double Static Tool Ø25mm Cool Thru	73
0820100	Tailstock for Sub Spindle 38mm	35	DWO 0272540	Radial Double Static Tool 1"	73
0820100L	Tailstock for Sub Spindle 2"	35	DWO 0293175	Axial Single BBH 1-1/4"	13
0820200	Tailstock for Sub Spindle 38mm	81	DWO 0293200	Axial Single BBH Ø32mm	13
0820200L	Tailstock for Sub Spindle 2"	81	DWO 0311905	Radial Single Static Tool 3/4"	10
0832500	Axial Single BBH: 25mm	77	DWO 0312000	Radial Single Static Tool Ø20mm	10
0833810	Axial Single BBH: 1-1/2"	77	DWO 0312010	Radial Single Static Tool Ø20mm	10
0834000	Axial Single BBH: 40mm	77	DWO 0333200	Axial Static Tool 32mm x 32mm	123
0835000	Axial Single BBH: 50mm	77	DWO 0348000	Axial Single BBH: 80mm	124
0835080	Axial Single BBH: 2"	77	DWO 0393810	Axial Single BBH: 1 1/2" 100mm Interaxis	34
0841225	Radial Inverted Driven Tool in Z	94	DWO 0394000	Axial Single BBH: 40mm 100mm Interaxis	34
0841232	Radial Inverted Driven Tool in Z	94	DWO 0422500	Axial Static Tool 25mm x 25mm	34
0892425	Axial Geared-Up 1:2 ER25 H=85mm	21	DWO 0422510	Axial Static Tool 25mm x 25mm Cool Thru	34
0892525	Axial Geared-Up 1:2 ER25 H=85mm Cool Thru*	21	DWO 0422540	Axial Static Tool 1" x 1"	34
2			DWO 0430120	Radial Re-Directed Driven Tool	93
201SAU_R32_40D2	Radial Rear-Set Driven Tool ER32 VDI40 DIN 5482	128	DWO 0430220	Geared-Up Re-Directed Driven Tool ERA20	93
202SAU_A32_40D0	Axial Driven Tool ER32 VDI40 DIN 5482	126	DWO 0444010	Radial Single Rear Set Capto C4 Right Hand	36
202SAU_A32_40D1	Axial Driven Tool ER32 VDI40 DIN 5482 Cool Thru*	126	DWO 0444010LC	Radial Single Rear Set Capto C4 Left Hand	36
253KIA_R22_40A00	Axial Driven Tool Ø22x19mm VDI40	130	DWO 0450116	Radial Geared-Up ER16 1:4	94
253KIA_R27_40A00	Axial Driven Tool Ø27x21mm VDI40	130	DWO 0460150	Axial Geared-Down ERA50	117
254KIA_A25_40D00	Axial Rear-Set Opposite Face ER25+ER25 VDI40 DIN 5482	127	DWO 0460250	Axial Geared-Down ERA50 Cool Thru*	117
B			DWO 0470140	Axial Geared-Down 2:1 ER40	101
BLADEKIT	Blade Kit: 1 Blade, 10 Inserts	75	DWO 0470240	Axial Geared-Down 2:1 ER40 Cool Thru*	101
BLADEKIT	Blade Kit: 1 Blade, 10 Inserts	12	DWO 0482000	Radial Static Tool: 20mm H=90mm	72
BLADEKIT	Blade Kit: 1 Blade, 10 Inserts	33	DWO 0482500	Radial Static Tool: 25mm H=90mm	72
C			DWO 0482540	Radial Static Tool: 1" H=90mm	72
COOL THRU	Blade Kit: 1 Blade, 10 Inserts	33	DWO 0540216	Radial Y-Axis Double Outlet ER16	39
BLADEKIT	Blade Kit: 1 Blade, 10 Inserts	12	DWO 0540225	Radial Y-Axis Double Outlet ER25	39
COOL THRU	Blade Kit: 1 Blade, 10 Inserts	76	DWO 0570125	Axial Geared-Up 1:3 ER25	102
BLADEKIT	Blade Kit: 1 Blade, 10 Inserts	33	DWO 0570225	Axial Geared-Up 1:3 ER25 Cool Thru*	102
COOL THRU	Blade Kit: 1 Blade, 10 Inserts	76	DWO 0580125	Axial Geared-Up 1:3 ER25	119
BLADEKIT	Blade Kit: 1 Blade, 10 Inserts	12	DWO 0580225	Axial Geared-Up 1:3 ER25 Cool Thru*	119
COOL THRU	Blade Kit: 1 Blade, 10 Inserts	76	DWO 0600111	Radial Geared-Up 1:5.625 ER11 Cool Thru*	18
BLADEKIT	Blade Kit: 1 Blade, 10 Inserts	12	DWO 0600116	Radial Geared-Up 1:5.625 ER16	18
COOL THRU	Blade Kit: 1 Blade, 10 Inserts	76	DWO 0610140	Axial Capto C4	108
BLADEKIT	Blade Kit: 1 Blade, 10 Inserts	33	DWO 0610150	Axial Capto C5	108
D			DWO 0610240	Axial Capto C4 Cool Thru*	108
DWO 0029108	Internal Polygon-Making Weldon 8	22	DWO 0610250	Axial Capto C5 Cool Thru*	108
			DWO 0622500	Radial Double Side Twin Static Tool H=25mm	74

Table of Contents

Part Number Index

DWO 0622540	Radial Double Side Twin Static Tool H=1"	74	DWO 0890522	Axial Mill Head D=22 L=19 H=85mm	20
DWO 0650140	Axial ER40 Reinforced	98	DWO 0890527	Axial Mill Head D=27 L=21 H=85mm	20
DWO 0650240	Axial ER40 Reinforced Cool Thru*	98	DWO 0901132	Radial ER32	16
DWO 0650522	Axial Reinforced Mill Head Ø22x19	98	DWO 0901325	Radial ERA25	16
DWO 0650725	Axial Reinforced Weldon25	98	DWO 0901332	Radial ERA32	16
DWO 0650825	Axial Reinforced Weldon25 Cool Thru*	98	DWO 0952216	Axial Geared-Up 1:2 Y-Axis Double ER16 H=85	24
DWO 0661120	0-180 Adj.Angle ERA20 H=83mm	26	DWO 0952225	Axial Geared-Up 1:2 Y-Axis Double ER25 H=85	24
DWO 0661220	0-180 Adj.Angle ERA20 H=83mm, Cool Thru*	26	DWO 1030100	Broaching/Slotting Tool 50mm Stroke	30
DWO 0661316	0-180 Adj.Angle Geared-Up 1:2 H=83mm	27	DWO 1030200	Broaching/Slotting Tool 25mm Stroke	30
DWO 0661416	0-180 Adj.Angle Geared-Up 1:2 H=83mm, Cool Thru*	27	DWO 1053175	Axial Static Tool 1 1/4" x 1 1/4"	123
DWO 0666120	0-180 Adj. Angle ERA20 with Digital Display	26	DWO 1067620	Axial Single BBH: 3"	124
DWO 0666220	0-180 Adj. Angle ERA20 with Digital Display Cool Thru*	26	DWO 1073175	Radial Static Tool 1 1/4" x 1 1/4"	122
DWO 0666316	0-180 Adj. Angle ERA16 Geared-Up with Digital Display	27	DWO 1073200	Radial Static Tool 32mm x 32mm	122
DWO 0666416	0-180 Adj. Angle ERA16 Geared-Up with Digital Display Cool Thru*	27	DWO 1130125	Axial ER25 H=85mm	44
DWO 0672000	Radial Double Static Tool Ø20mm	74	DWO 1130132	Axial ER32 H=85mm	44
DWO 0672500	Radial Double Static Tool Ø25mm	74	DWO 1130140	Axial ER40 H=85mm	44
DWO 0680140	Axial Reinforced ER40	96	DWO 1130225	Axial ER25 H=85mm Cool Thru*	44
DWO 0680240	Axial Reinforced ER40 Cool Thru*	96	DWO 1130232	Axial ER32 H=85mm Cool Thru*	44
DWO 0680522	Axial Reinforced Mill Head Ø22x19	96	DWO 1130240	Axial ER40 H=85mm Cool Thru*	44
DWO 0680725	Axial Reinforced Weldon 25	96	DWO 1130325	Axial ERA25 H=85mm	44
DWO 0680825	Axial Reinforced Weldon 25 Cool Thru*	96	DWO 1130425	Axial ERA25 H=85mm Cool Thru*	44
DWO 0700125	Axial ER25 H=72mm	40	DWO 1130516	Axial Mill Head D=16mm, L=17mm	44
DWO 0700132	Axial ER32 H=72mm	40	DWO 1130522	Axial Mill Head D=22mm, L=19mm	44
DWO 0700140	Axial ER40 H=72mm	40	DWO 1130527	Axial Mill Head D=27mm, L=21mm	44
DWO 0700225	Axial ER25 H=72mm Cool Thru*	40	DWO 1140125	Axial ER25	53
DWO 0700232	Axial ER32 H=72mm Cool Thru*	40	DWO 1140132	Axial ER32	53
DWO 0700240	Axial ER40 H=72mm Cool Thru*	40	DWO 1140140	Axial ER40	53
DWO 0700325	Axial ERA25 H=72mm	40	DWO 1140225	Axial ER25 Cool Thru*	53
DWO 0700425	Axial ERA25 H=72mm Cool Thru*	40	DWO 1140232	Axial ER32 Cool Thru*	53
DWO 0700516	Axial Mill Head D=16mm, L=17mm	40	DWO 1140240	Axial ER40 Cool Thru*	53
DWO 0700522	Axial Mill Head D=22mm, L=19mm	40	DWO 1140325	Axial ERA25	53
DWO 0700527	Axial Mill Head D=27mm, L=21mm	40	DWO 1140425	Axial ERA25 Cool Thru*	53
DWO 0710125	Axial Geared-Up ERA25 1:2	58	DWO 1140516	Axial Mill Head Ø16x17mm	53
DWO 0710225	Axial Geared-Up ERA25 1:2 Cool Thru*	58	DWO 1140522	Axial Mill Head Ø22x19mm	53
DWO 0720132	Axial Opposite Face ER32+ER25 H=72mm	59	DWO 1140527	Axial Mill Head Ø27x21mm	53
DWO 0722520	Axial Opposite Face ERA25+ERA20 H=72mm	59	DWO 1150132	Axial Opposite Face ER32+ER25 H=85mm	59
DWO 0746000	Axial Single BBH: 60mm	80	DWO 1152520	Axial Opposite Face ERA25+ERA20 H=85mm	59
DWO 0752500	Radial Single Static Tool	106	DWO 1160132	Axial Opposite Face ER32+ER25 H=100mm	61
DWO 0760163	Axial MTSK-63 Geared-Down	117	DWO 1162520	Axial Opposite Face ERA25+ERA20 H=100mm	61
DWO 0760263	Axial MTSK-63 Geared-Down Cool Thru*	117	DWO 1170140	Axial MTSK-40 H=72mm	42
DWO 0790140	Axial MTSK-40 H=85mm	21	DWO 1170150	Axial MTSK-50 H=72mm	42
DWO 0790240	Axial MTSK-40 H=85mm Cool Thru*	21	DWO 1170240	Axial MTSK-40 H=72mm Cool Thru*	42
DWO 0801140	Radial MTSK-40 Driven Tool	16	DWO 1170250	Axial MTSK-50 H=72mm Cool Thru*	42
DWO 0811100	Gear Hobber- Large Size	104	DWO 1180140	Axial MTSK-40 H=85mm	46
DWO 0812100	Gear Hobber- Large Size Geared-Down 2:1	104	DWO 1180150	Axial MTSK-50 H=85mm	46
DWO 0820140	0-180 Adj. Angle ER40	103	DWO 1180240	Axial MTSK-40 H=85mm Cool Thru*	46
DWO 0820240	0-180 Adj. Angle ER40 Cool Thru*	103	DWO 1190140	Axial MTSK-50 H=85mm Cool Thru*	46
DWO 0820332	0-180 Adj. Angle ERA32	103	DWO 1190150	Axial MTSK-40 H=100mm	55
DWO 0820432	0-180 Adj. Angle ERA32 Cool Thru*	103	DWO 1190240	Axial MTSK-50 H=100mm	55
DWO 0830140	0-180 Adj. Angle ER40 BMT85	120	DWO 1190250	Axial MTSK-40 H=100mm Cool Thru*	55
DWO 0830240	0-180 Adj. Angle ER40 BMT85 Cool Thru*	120	DWO 1200163	Axial MTSK-50 H=100mm Cool Thru*	55
DWO 0830332	0-180 Adj. Angle ERA32 BMT85	120	DWO 1200263	MTSK-63 Geared-Down 2:1	118
DWO 0830432	0-180 Adj. Angle ERA32 BMT85 Cool Thru*	120	DWO 1210150	MTSK-63 Geared-Down 2:1 Cool Thru*	118
DWO 0851100	Heavy Duty Gear Hobber 1:1	121	DWO 1210250	Axial ERA50 Geared-Down 2:1	118
DWO 0852100	Heavy Duty Gear Hobber Geared-Down 2:1	121	DWO 1220225	Axial ERA50 Geared-Down 2:1 Cool Thru*	118
DWO 0890125	Axial ER25 H=85mm	20	DWO 1220325	Axial Single Side Twin ER25	62
DWO 0890132	Axial ER32 H=85mm	20	DWO 1220325	Axial Single Side Twin ERA25	62
DWO 0890140	Axial ER40 H=85mm	20	DWO 1221225	Axial Single Side Twin ERA25 Cool Thru	62
DWO 0890225	Axial ER25 H=85mm Cool Thru*	20	DWO 1221325	Axial Single Side Twin ERA25 Cool Thru	62
DWO 0890232	Axial ER32 H=85mm Cool Thru*	20	DWO 1222225	Axial Single Side Twin ER25+ER25	62
DWO 0890240	Axial ER40 H=85mm Cool Thru*	20	DWO 1222325	Axial Single Side Twin ERA25+ERA25	62
DWO 0890325	Axial ERA25 H=85mm	20	DWO 1230225	Axial Single Side Twin ER25	63
DWO 0890425	Axial ERA25 H=85mm Cool Thru*	20	DWO 1230325	Axial Single Side Twin ERA25	63
DWO 0890516	Axial Mill Head D=16 L=17 H=85mm	20	DWO 1231225	Axial Single Side Twin ER25 Cool Thru	63
			DWO 1231325	Axial Single Side Twin ERA25 Cool Thru	63
			DWO 1232225	Axial Single Side Twin ER25+ER25	63
			DWO 1232325	Axial Single Side Twin ERA25+ERA25	63

Table of Contents

Part Number Index

DWO 1240150	Radial ERA50	111	DWO 1612108	Gear Hobber 2:1 Geared-Down D=8	9
DWO 1290140	Axial Weldon 40 Cool Thru*	116	DWO 1612110	Gear Hobber 2:1 Geared-Down D=10	9
DWO 1290150	Axial ERA50	116	DWO 1612113	Gear Hobber 2:1 Geared-Down D=13	9
DWO 1290240	Axial Weldon 40	116	DWO 1612116	Gear Hobber 2:1 Geared-Down D=16	9
DWO 1291250	Axial ERA50 Cool Thru*	116	DWO 1612155	Gear Hobber 2:1 Geared-Down D=1/2"	9
DWO 1302500	Radial Static Tool 25mm x 25 mm	106	DWO 1628022	Driven Worm Gear Tool 22mmx12mm	29
DWO 1302540	Radial Static Tool 1" x 1"	106	DWO 1628125	Driven Worm Gear Tool 1"x12mm	29
DWO 1303175	Radial Static Tool 1 1/4" x 1 1/4"	106	DWO 1650316	Axial Geared-Up 1:3 Rear-Set ERA16	7
DWO 1303200	Radial Static Tool 32mm x 32mm	106	DWO 1650416	Axial Geared-Up 1:3 Rear-Set ERA16 Cool Thru*	7
DWO 1312500	Axial Static Tool 25mm x 25mm	107	DWO 1722520	Axial Double Outlet ERA25/ERA20 H=85mm	23
DWO 1312540	Axial Static Tool 1" x 1"	107	DWO 1723225	Axial Double Outlet ER32/ER25 H=85mm	23
DWO 1313175	Axial Static Tool 1 1/4" x 1 1/4"	107	DWO 1730132L	Radial Blade Holder with Cool Thru (Left Hand)	76
DWO 1313200	Axial Static Tool 32mm x 32mm	107	DWO 1730132R	Radial Blade Holder with Cool Thru (Right Hand)	76
DWO 1335000	Axial Single BBH 50mm H=110mm	107	DWO 1750163	Radial MTSK-63	111
DWO 1340140	Axial ER40 Reinforced	100	DWO 1750263	Radial MTSK-63 Cool Thru*	111
DWO 1340240	Axial ER40 Reinforced Cool Thru*	100	DWO 1760100	Axial MTSK-40 for Power Skiving	29
DWO 1340522	Axial Reinforced Mill Head Ø22x19	100	DWO 1770100	Axial MTSK-40 for Power Skiving	68
DWO 1340725	Axial Reinforced Weldon25	100	DWO 1790132	Axial MTSK-32 Driven Tool	4
DWO 1340825	Axial Reinforced Weldon25 Cool Thru*	100	DWO 1790232	Axial MTSK-32 Driven Tool Cool Thru*	4
DWO 1360125	Axial Opposite Face ER25+ER25	7	DWO 1850120	0-180 Adj. Angle ER20 with Digital Display	64
DWO 1370140	Axial Geared-Down 2:1 ER40	102	DWO 1850125	0-180 Adj. Angle ER25 with Digital Display	64
DWO 1370240	Axial Geared-Down 2:1 ER40 Cool Thru*	102	DWO 1850516	0-180 Adj. Angle 16x17mm with Digital Display	64
DWO 1372733	Axial Geared-Down 2:1 Mill Head Ø27x33	102	DWO 1850519	0-180 Adj. Angle 3/4"x3/4" with Digital Display	64
DWO 1384010	Rear-Set Radial Static Capto C4 Right Hand	86	DWO 1850522	0-180 Adj. Angle 22x19mm with Digital Display	64
DWO 1384010LC	Rear-Set Radial Static Capto C4 Left Hand	86	DWO 1860120	0-180 Adj. Angle ER20 with Digital Display	65
DWO 1390140	Axial Weldon 40 Cool Thru*	114	DWO 1860125	0-180 Adj. Angle ER25 with Digital Display	65
DWO 1390150	Axial ERA50	114	DWO 1860516	0-180 Adj. Angle 16x17mm with Digital Display	65
DWO 1390240	Axial Weldon 40	114	DWO 1860519	0-180 Adj. Angle 3/4"x3/4" with Digital Display	65
DWO 1391250	Axial ERA50 Cool Thru*	114	DWO 1860522	0-180 Adj. Angle 22x19mm with Digital Display	65
DWO 1410132	Radial Blade Holder with Blade Kit	75	DWO 1870200	Broaching/Slotting Tool 25mm Stroke	9
DWO 1422500	Radial Static Tool Ø25mm	72	DWO 1890316	Radial Driven ERA16 Redirected in Z by 36mm	2
DWO 1422510	Radial Static Tool Ø25mm Cool Thru	72	DWO 1890416	Radial Driven ERA16 Redirected in Z by 36mm Cool Thru*	2
DWO 1422540	Radial Static Tool 1"	72	DWO 1891316	Radial Geared-Up 1:2 ERA16 Redirected in Z by 36mm	2
DWO 1446000	Axial Single BBH 60mm H=100mm	79	DWO 1891416	Radial Geared-Up 1:2 ERA16 Redirected in Z by 36mm Cool Thru*	2
DWO 1452500	Axial Static Tool 25mm	77	DWO 1892316	Radial Geared-Up 1:3 ERA16 Redirected in Z by 36mm	3
DWO 1452540	Axial Static Tool 1"	77	DWO 1892416	Radial Geared-Up 1:3 ERA16 Redirected in Z by 36mm Cool Thru*	3
DWO 1460216	Radial Single Side Twin ERA16	3	DWO 1900100	Tailstock for Subspindle Ø38mm	14
DWO 1470216	Axial Single Side Twin Head ERA16	8	DWO 1900100L	Tailstock for Subspindle 2"	14
DWO 1481905	Radial Double Static Tool 3/4"	11	DWO 1920120	0-180 Adjustable Angle ER20	64
DWO 1482000	Radial Double Static Tool Ø20mm	11	DWO 1920125	0-180 Adjustable Angle ER25	64
DWO 1482010	Radial Double Static Tool Ø20mm Cool Thru*	11	DWO 1920516	0-180 Adjustable Angle 16x17mm	64
DWO 1491905	Axial 2 Position Rear-Set BBH 3/4"	14	DWO 1920519	0-180 Adjustable Angle 3/4"x3/4"	64
DWO 1492000	Axial 2 Position Rear-Set BBH Ø20mm	14	DWO 1920522	0-180 Adjustable Angle 22x19mm	64
DWO 1511905	Radial Single Side Twin 3/4"	10	DWO 1930120	0-180 Adjustable Angle ER20	65
DWO 1512000	Radial Single Side Twin Ø20mm	10	DWO 1930125	0-180 Adjustable Angle ER25	65
DWO 1520100	Broaching / Slotting Tool H=100mm	70	DWO 1930516	0-180 Adjustable Angle 16x17mm	65
DWO 1520200	Broaching / Slotting Tool H=100mm	71	DWO 1930519	0-180 Adjustable Angle 3/4"x3/4"	65
DWO 1530100	Broaching / Slotting Tool H=85mm	70	DWO 1930522	0-180 Adjustable Angle 22x19mm	65
DWO 1530200	Broaching / Slotting Tool H=85mm	71	DWO 1940120	0-180 Adjustable Angle ERA20	66
DWO 1540132	Radial Reinforced ER32	37	DWO 1940220	0-180 Adjustable Angle ERA20 Cool Thru*	66
DWO 1540140	Radial Reinforced ER40	37	DWO 1940316	0-180 Adj. Angle Geared-Up ERA16	67
DWO 1540625	Radial Reinforced Weldon 25 Cool Thru*	37	DWO 1940416	0-180 Adj. Angle Geared-Up ERA16 Cool Thru*	67
DWO 1540827	Radial Reinforced 27x21mm Cool Thru*	37	DWO 1945120	0-180 Adj. Angle ERA20 with Digital Display	66
DWO 1550140	Radial MTSK-40 Reinforced	37	DWO 1945220	0-180 Adj. Angle ERA20 with Digital Display Cool Thru*	66
DWO 1550150	Radial MTSK-50 Reinforced	37	DWO 1945316	0-180 Adj. Angle Geared-Up ERA16 with Digital Display	67
DWO 1560140	Radial ER40	91	DWO 1945416	0-180 Adj. Angle Geared-Up ERA16 with Digital Display Cool Thru*	67
DWO 1560332	Radial ERA32	91	DWO 1970120	0-180 Adjustable Angle ER20	25
DWO 1560432	Radial ERA32 Cool Thru* 30 BAR	91	DWO 1970125	0-180 Adjustable Angle ER25	25
DWO 1570126	Radial Blade Holder with Blade Kit	12	DWO 1970516	0-180 Adjustable Angle 16x17mm	25
DWO 1580332	Radial Geared-Down 2:1 Redirected ERA32	38	DWO 1970519	0-180 Adjustable Angle 3/4"x3/4"	25
DWO 1600163	Axial MTSK-63	116	DWO 1970522	0-180 Adjustable Angle 22x19mm	25
DWO 1600263	Axial MTSK-63 Cool Thru*	116			
DWO 1611108	Gear Hobber 1:1 D=08	9			
DWO 1611110	Gear Hobber 1:1 D=10	9			
DWO 1611113	Gear Hobber 1:1 D=13	9			
DWO 1611116	Gear Hobber 1:1 D=16	9			
DWO 1611155	Gear Hobber 1:1 D=1/2"	9			

Table of Contents

Part Number Index

DWO 1980100	Broaching/Slotting Tool 50mm Stroke H=90mm	105	DWO 2470725	Axial Reinforced Weldon 25	41
DWO 1980200	Broaching/Slotting Tool 25mm Stroke H=90mm	105	DWO 2470825	Axial Reinforced Weldon 25 Cool Thru*	41
DWO 1991140	Radial ERA40 Re-Directed in Z by 100mm	92	DWO 2480132	Axial Reinforced ER32	45
DWO 1992140	Radial ERA40 Geared-Down Re-Directed in Z by 100mm	92	DWO 2480232	Axial Reinforced ER32 Cool Thru*	45
DWO 1992240	Radial ERA40 Re-Directed in Z by 100mm Cool Thru*	92	DWO 2480725	Axial Reinforced Weldon 25	45
DWO 1994240	Radial ERA40 Geared-Down Re-Directed in Z by 100mm Cool Thru*	92	DWO 2480825	Axial Reinforced Weldon 25 Cool Thru*	45
DWO 2000325	Radial Driven Tool ERA25	1	DWO 2490132	Axial Reinforced ER32	54
DWO 2121140	Radial ERA40 Re-Directed in Z by 110mm	112	DWO 2490232	Axial Reinforced ER32 Cool Thru*	54
DWO 2121240	Radial ERA40 Re-Directed in Z by 110mm Cool Thru*	112	DWO 2490725	Axial Reinforced Weldon 25	54
DWO 2122140	Radial ERA40 Geared-Down Re-Directed in Z by 110mm	112	DWO 2490825	Axial Reinforced Weldon 25 Cool Thru*	54
DWO 2122240	Radial ERA40 Geared-Down Re-Directed in Z by 110mm Cool Thru*	112	DWO 2500132	Axial Reinforced ER32	49
DWO 2130150	Radial MTSK-50	91	DWO 2500232	Axial Reinforced ER32 Cool Thru*	49
DWO 2130250	Radial MTSK-50 Cool Thru*	91	DWO 2500725	Axial Reinforced Weldon 25	49
DWO 2140150	Axial MTSK-50	97	DWO 2500825	Axial Reinforced Weldon 25 Cool Thru*	49
DWO 2140250	Axial MTSK-50 Cool Thru*	97	DWO 2510125	Axial ER25 H=95mm	48
DWO 2150150	Axial Reinforced MTSK-50	99	DWO 2510132	Axial ER32 H=95mm	48
DWO 2150250	Axial Reinforced MTSK-50 Cool Thru*	99	DWO 2510140	Axial ER40 H=95mm	48
DWO 2160150	Axial Reinforced MTSK-50	101	DWO 2510225	Axial ER25 H=95mm Cool Thru*	48
DWO 2160250	Axial Reinforced MTSK-50 Cool Thru*	101	DWO 2510232	Axial ER32 H=95mm Cool Thru*	48
DWO 2180150	Axial MTSK-50 H=72mm	43	DWO 2510240	Axial ER40 H=95mm Cool Thru*	48
DWO 2180250	Axial MTSK-50 H=72mm Cool Thru*	43	DWO 2510325	Axial ERA25 H=95mm	48
DWO 2190150	Axial MTSK-50 H=85mm	47	DWO 2510425	Axial ERA25 H=95mm Cool Thru*	48
DWO 2190250	Axial MTSK-50 H=85mm Cool Thru*	47	DWO 2510516	Axial 16x17mm H=95mm	48
DWO 2200150	Axial MTSK-50 H=100mm	56	DWO 2510522	Axial 22x19mm H=95mm	48
DWO 2200250	Axial MTSK-50 H=100mm Cool Thru*	56	DWO 2510527	Axial 27x21mm H=95mm	48
DWO 2222510	Radial Single Static Tool 25mm Cool Thru	31	DWO 2520132	Axial Opposite Face ER32+ER25	60
DWO 2230316	Axial Geared-Up 1:3 Rear-Set ERA16	6	DWO 2522520	Axial Opposite Face ERA25+ERA20	60
DWO 2230416	Axial Geared-Up 1:3 Rear-Set ERA16 Cool Thru*	6	DWO 2530140	Axial MTSK-40 H=95mm	51
DWO 2273175	Axial Single BBH 1-1/4"	13	DWO 2530150	Axial MTSK-50 H=95mm	51
DWO 2273200	Axial Single BBH Ø32mm	13	DWO 2530240	Axial MTSK-40 H=95mm Cool Thru*	51
DWO 2290320	Axial Driven Tool ERA20	4	DWO 2530250	Axial MTSK-50 H=95mm Cool Thru*	51
DWO 2290325	Axial Driven Tool ERA25	4	DWO 2540150	Axial Reinforced MTSK-50	52
DWO 2290420	Axial Driven Tool ERA20 Cool Thru*	4	DWO 2540250	Axial Reinforced MTSK-50 Cool Thru*	52
DWO 2290425	Axial Driven Tool ERA25 Cool Thru*	4	DWO 2570132	Axial Rear-Set ER32	50
DWO 2300132	Axial Rear-Set MTSK-32	5	DWO 2644010	Axial Single Static Tool Capto C4 Right Hand	88
DWO 2300232	Axial Rear-Set MTSK-32 Cool Thru*	5	DWO 2644010LC	Axial Single Static Tool Capto C4 Left Hand	88
DWO 2310120	Axial Rear-Set ER20	5	DWO 2710420	Radial Redirected ERA20 Cool Thru	17
DWO 2310125	Axial Rear-Set ER25	5	DWO 2856010	Axial Single Static Tool Capto C6 Right Version	110
DWO 2310220	Axial Rear-Set ER20 Cool Thru*	5	DWO 2856010LC	Axial Single Static Tool Capto C6 Left Version	110
DWO 2310225	Axial Rear-Set ER25 Cool Thru*	5	DWO 2882500	Axial Single BBH 25mm	78
DWO 2310320	Axial Rear-Set ERA20	5	DWO 2884000	Axial Single BBH 40mm	78
DWO 2310325	Axial Rear-Set ERA25	5	DWO 2914000	Axial Single BBH Ø40mm	13
DWO 2310420	Axial Rear-Set ERA20 Cool Thru*	5	DWO 2928022	Driven Tool for Worm Screws Ø22x12mm	69
DWO 2310425	Axial Rear-Set ERA25 Cool Thru*	5	DWO 2928125	Driven Tool for Worm Screws Ø1"x12mm	69
DWO 2320111	Axial Geared-Up 1:2 ER11	6	DWO 2950126L	Radial Blade Holder Cool Thru (Left Hand)	12
DWO 2320211	Axial Geared-Up 1:2 ER11 Cool Thru*	6	DWO 2950126R	Radial Blade Holder Cool Thru (Right Hand)	12
DWO 2320320	Axial Geared-Up 1:2 ERA20	6	DWO 2980332	Radial ±25° Adjustable Angle ERA32	95
DWO 2320420	Axial Geared-Up 1:2 ERA20 Cool Thru*	6	DWO 2990163	Axial MTSK-63	115
DWO 2344000	Axial Rear-Set BBH 40mm	35	DWO 2990263	Axial MTSK-63 Cool Thru*	115
DWO 2360132	Axial Geared-Down 2:1 ER32	57	DWO 3030250	Radial Driven Tool Capto C5	108
DWO 2360140	Axial Geared-Down 2:1 ER40	57	DWO 3080140	Axial Driven Tool Capto C4	82
DWO 2360232	Axial Geared-Down 2:1 ER32 Cool Thru	57	DWO 3080240	Axial Driven Tool Capto C4 Cool Thru*	82
DWO 2360240	Axial Geared-Down 2:1 ER40 Cool Thru	57	DWO 3106010	Axial Single Static Tool Capto C6 Right Version	125
DWO 2360725	Axial Geared-Down 2:1 WELDON 25	57	DWO 3106010LC	Axial Single Static Tool Capto C6 Left Version	125
DWO 2360825	Axial Geared-Down 2:1 WELDON 25 Cool Thru	57	DWO 3110140	Axial Driven Tool Capto C4	83
DWO 2380132	Radial Blade Holder with Blade Kit	33	DWO 3110240	Axial Driven Tool Capto C4 Cool Thru*	83
DWO 2390132L	Radial Double Blade Holder Cool Thru (Left Hand)	33	DWO 3120140	Axial Driven Tool Capto C4	83
DWO 2390132R	Radial Double Blade Holder Cool Thru (Right Hand)	33	DWO 3120240	Axial Driven Tool Capto C4 Cool Thru*	83
DWO 2402416	Axial Multiple 2+2 Outlet in Y ER16+ER16	25	DWO 3130140	Axial Driven Tool Capto C4	84
DWO 2402425	Axial Multiple 2+2 Outlet in Y ER25+ER25	25	DWO 3130240	Axial Driven Tool Capto C4 Cool Thru*	84
DWO 2470132	Axial Reinforced ER32	41	DWO 3140240	Axial Opposite Face Twin Capto C4+C4	84
DWO 2470232	Axial Reinforced ER32 Cool Thru*	41	DWO 3150140	Radial Driven Tool Capto C4	82
			DWO 3150240	Radial Driven Tool Capto C4 Cool Thru*	82
			DWO 3166010	Axial Single Static Tool Capto C6 Right Hand	89
			DWO 3166010LC	Axial Single Static Tool Capto C6 Left Hand	89
			DWO 3176010	Radial Single Rear-Set Capto C6 Right Hand	86
			DWO 3176010LC	Radial Single Rear-Set Capto C6 Left Hand	86

Table of Contents

Part Number Index

DWO 3190350	Axial ER50	116	KIA0030325	Radial Rear-Set ERA25 Right Version	131
DWO 3190450	Axial ER50 Cool Thru*	116	KIA0030420	Radial Rear-Set ERA20 Right Version Cool Thru*	131
DWO 3200350	Axial ER50	114	KIA0030425	Radial Rear-Set ERA25 Right Version Cool Thru*	131
DWO 3200450	Axial ER50 Cool Thru*	114	KIA0030516	Radial Rear-Set Weldon 16 Right Version	131
DWO 3270150	Axial Geared-Up 1:2 ER50	119	KIA0031120	Radial Rear-Set ER20 Left Version	131
DWO 3270250	Axial Geared-Up 1:2 ER50 Cool Thru*	119	KIA0031125	Radial Rear-Set ER25 Left Version	131
DWO 3320332	Radial Geared-Up 1:3 ERA32	113	KIA0031220	Radial Rear-Set ER20 Left Version Cool Thru*	131
DWO 3330225	Radial Single Side Twin Head ER25	113	KIA0031225	Radial Rear-Set ER25 Left Version Cool Thru*	131
DWO 3374010	Axial Single Static Tool Capto C4 Right Hand	15	KIA0031320	Radial Rear-Set ERA20 Left Version	131
DWO 3374010LC	Axial Single Static Tool Capto C4 Left Hand	15	KIA0031325	Radial Rear-Set ERA25 Left Version	131
DWO 3380132	Radial MTSK-32 Driven Tool	1	KIA0031420	Radial Rear-Set ERA20 Left Version Cool Thru*	131
DWO 3380232	Radial MTSK-32 Driven Tool Cool Thru*	1	KIA0031425	Radial Rear-Set ERA25 Left Version Cool Thru*	131
DWO 3390240	Radial ER40 Cool Thru* 70 BAR	91	KIA0031516	Radial Rear-Set Weldon 16 Left Version	131
DWO 3404020	Axial Opposite Face C4 Right Hand	90	KIT 1000001	Plug for 32mm or 1 1/4" BBH to Make Cool Thru	81
DWO 3404020LC	Axial Opposite Face C4 Left Hand	90	KIT 1000001	Plug for 32mm or 1 1/4" BBH to Make Cool Thru	13
DWO 3414010	Axial Single Static Tool C4 Right Hand	88	KIT 1000001	Plug for 32mm or 1 1/4" BBH to Make Cool Thru	13
DWO 3414010LC	Axial Single Static Tool C4 Left Hand	88	KIT 1000002	Plug for 50mm BBH to Make Cool Thru	107
DWO 3424020	Radial Double Static Tool C4 Right Hand	87	KIT 1000003	Plug for 40mm BBH to Make Cool Thru	80
DWO 3424020LC	Radial Double Static Tool C4 Left Hand	87	KIT 1000003	Plug for 40mm BBH to Make Cool Thru	78
DWO 3430140	Axial Capto C4	109	KIT 1000003	Plug for 40mm BBH to Make Cool Thru	13
DWO 3430150	Axial Capto C5	109	KIT 1000003	Plug for 40mm BBH to Make Cool Thru	35
DWO 3430240	Axial Capto C4 Cool Thru*	109	KIT 1000003	Plug for 40mm BBH to Make Cool Thru	34
DWO 3430250	Axial Capto C5 Cool Thru*	109	KIT 1000004	Plug for 1-1/2" BBH to Make Cool Thru	34
DWO 3462510	Axial Static Tool 25mm Cool Thru*	77	KIT 1000004	Plug for 1-1/2" BBH to Make Cool Thru	80
DWO 3470232	Radial Reinforced ER32 Cool Thru*	37	KIT 1000006	Plug for 25mm BBH to Make Cool Thru	78
DWO 3470240	Radial Reinforced ER40 Cool Thru*	37	KIT 1000025	Plug for 60mm BBH to Make Cool Thru	124
DWO 3480240	Radial MTSK-40 Reinforced Cool Thru*	37	KIT 1000028	Plug for 20mm or 3/4" BBH to Make Cool Thru	14
DWO 3480250	Radial MTSK-50 Reinforced Cool Thru*	37	KIT 1002013	Plug & Seal Kit for 80mm BBH to Make Cool Thru	124
DWO 3490232	Radial ER32 Cool Thru*	16	KIT 1002014	Plug & Seal Kit for 3" BBH to Make Cool Thru	124
DWO 3490425	Radial ERA25 Cool Thru*	16	KIT 1003002	Plug & Seal Kit for 50mm or 2" BBH to Make IC	77
DWO 3490432	Radial ERA32 Cool Thru*	16	KIT 1003002	Plug & Seal Kit for 50mm BBH to Make Cool Thru	79
DWO 3505010	Radial Single Rear Set Capto C5 Right Hand	86	KIT 1003003	Plug & Seal Kit for 40mm BBH to Make Cool Thru	78
DWO 3505010LC	Radial Single Rear Set Capto C5 Left Hand	86	KIT 1003003	Plug & Seal Kit for 40mm BBH to Make IC	77
DWO 3515010	Axial Single Static Tool C5 Right Hand	89	KIT 1003004	Plug & Seal Kit for 1 1/2" BBH to Make IC	77
DWO 3515010LC	Axial Single Static Tool C5 Left Hand	89	KIT 1003006	Plug & Seal Kit for 25mm BBH to Make IC	77
DWO 3520425	Radial Driven Tool ERA25 Cool Thru*	1	KIT 1003025	Plug & Seal Kit for 60mm BBH to Make Cool Thru	80
DWO 3530325	Radial ±30° Adj. Angle ERA25	19	M		
DWO 3610450	Radial ERA50 Cool Thru*	111	MTSK32A03	MTSK-32 Adaptor ER25	132
DWO 3640240	Radial MTSK-40 Driven Tool Cool Thru	16	MTSK32B03	MTSK-32 Adaptor ERA20	132
DWO 3652500	Radial Rear Set Single Static Tool Ø25mm	73	MTSK32B04	MTSK-32 Adaptor ERA16	132
DWO 3731905	Radial Double Side Twin 3/4"	11	MTSK32C02	MTSK-32 Adaptor Mill 16x17	132
DWO 3732000	Radial Double Side Twin Ø20mm	11	MTSK32D01	MTSK-32 Adaptor Weldon 6	132
DWO 3746000	Axial Single BBH Ø60mm	124	MTSK32D02	MTSK-32 Adaptor Weldon 8	132
DWO 3753200	Axial Single Static Tool Ø32mm	123	MTSK32D03	MTSK-32 Adaptor Weldon 10	132
DWO 3770240	Axial Opposite Face Twin Capto C4+C4	85	MTSK32D04	MTSK-32 Adaptor Weldon 12	132
DWO 3780125	Axial Geared-Up 1:2 ERA25	58	MTSK32T00	MTSK-32 Cover Plug	132
DWO 3780225	Axial Geared-Up 1:2 ERA25 Cool Thru	58	MTSK40A02	MTSK-40 Adaptor ER32	133
DWO 3842500	Radial Single Static Tool 25mm	31	MTSK40A03	MTSK-40 Adaptor ER25	133
DWO 3842540	Radial Single Static Tool 1"	31	MTSK40A05	MTSK-40 Adaptor ER16	133
DWO 3853810	Axial Rear Set BBH 1-1/2"	80	MTSK40A06	MTSK-40 Adaptor ER16	133
DWO 3854000	Axial Rear Set BBH 40mm	80	MTSK40A07	MTSK-40 Adaptor ER16	133
DWO 3862510	Radial Single Static Tool 25mm	31	MTSK40A08	MTSK-40 Adaptor ER11	133
DWO 3891905	Radial Multiple Static Tool 3/4"	75	MTSK40A09	MTSK-40 Adaptor ER11	133
DWO 3892000	Radial Multiple Static Tool Ø20mm	75	MTSK40B02	MTSK-40 Adaptor ERA25	133
DWO 3932225	Axial Geared-Up 1:2 Opposite Face ERA25+ERA25	23	MTSK40B03	MTSK-40 Adaptor ERA20	133
DWO 3942500	Radial Double-Side Twin Static Tool: 25mm	32	MTSK40C02	MTSK-40 Adaptor Mill 16x17	134
K			MTSK40C03	MTSK-40 Adaptor Mill 3/4"	134
KIA0010132	Axial Driven Tool ER32 VDI40	130	MTSK40C04	MTSK-40 Adaptor Mill 22x19	134
KIA0010140	Axial Driven Tool ER40 VDI40	130	MTSK40C05	MTSK-40 Adaptor Mill 27x21	134
KIA0010232	Axial Driven Tool ER32 VDI40 Cool Thru*	130	MTSK40D01	MTSK-40 Adaptor Weldon 6	134
KIA0010240	Axial Driven Tool ER40 VDI40 Cool Thru*	130	MTSK40D02	MTSK-40 Adaptor Weldon 8	134
KIA0020125	Axial Driven Tool ER25 VDI30	131	MTSK40D03	MTSK-40 Adaptor Weldon 10	134
KIA0030120	Radial Rear-Set ER20 Right Version	131	MTSK40D04	MTSK-40 Adaptor Weldon 12	134
KIA0030125	Radial Rear-Set ER25 Right Version	131	MTSK40D06	MTSK-40 Adaptor Weldon 16	134
KIA0030220	Radial Rear-Set ER20 Right Version Cool Thru*	131	MTSK40D07	MTSK-40 Adaptor Weldon 20	134
KIA0030225	Radial Rear-Set ER25 Right Version Cool Thru*	131	MTSK40D11	MTSK-40 Adaptor Weldon 1/4"	134
KIA0030320	Radial Rear-Set ERA20 Right Version	131	MTSK40D12	MTSK-40 Adaptor Weldon 5/16"	134

Table of Contents

Part Number Index

MTSK40D13	MTSK-40 Adaptor Weldon 3/8"	134	SAU0771120	0-180° Adj. Angle ER20 with Digital Display VDI40 DIN 5482	129
MTSK40D14	MTSK-40 Adaptor Weldon 1/2"	134			
MTSK40D21	MTSK-40 Adaptor Weldon 6	134	SAU0771125	0-180° Adj. Angle ER25 with Digital Display VDI40 DIN 5482	129
MTSK40D24	MTSK-40 Adaptor Weldon 10	134			
MTSK40D25	MTSK-40 Adaptor Weldon 12	134	SAU0771516	0-180° Adj. Angle Ø16x17mm with Digital Display VDI40 DIN 5482	129
MTSK40F01	MTSK-40 Adaptor Mill 1/2"	134			
MTSK40G03	MTSK-40 Adaptor MR25	134	SAU0771519	0-180° Adj. Angle 3/4"x3/4" with Digital Display VDI40 DIN 5482	129
MTSK40H01	MTSK-40 Adaptor Morse 1	134			
MTSK40H02	MTSK-40 Adaptor Morse 2	134	SAU0771522	0-180° Adj. Angle Ø22x19mm with Digital Display VDI40 DIN 5482	129
MTSK40T00	MTSK-40 Cover Plug	134			
MTSK50A01	MTSK-50 Adaptors ER40	135	SAU0851120	0-180° Adj. Angle ER20 VDI40 DIN 5482	129
MTSK50A02	MTSK-50 Adaptors ER32	135	SAU0851125	0-180° Adj. Angle ER25 VDI40 DIN 5482	129
MTSK50A03	MTSK-50 Adaptors ER25	135	SAU0851516	0-180° Adj. Angle Ø16x17mm VDI40 DIN 5482	129
MTSK50A05	MTSK-50 Adaptors ER16	135	SAU0851519	0-180° Adj. Angle 3/4"x3/4" VDI40 DIN 5482	129
MTSK50B01	MTSK-50 Adaptors ERA32	135	SAU0851522	0-180° Adj. Angle Ø22x19mm VDI40 DIN 5482	129
MTSK50B02	MTSK-50 Adaptors ERA25	135			
MTSK50B03	MTSK-50 Adaptors ERA20	135			
MTSK50C02	MTSK-50 Adaptors Mill	136	T		
MTSK50C03	MTSK-50 Adaptors Mill	136	TPGN220408	10 Inserts for Polygon Making Heads	138
MTSK50C04	MTSK-50 Adaptors Mill	136	TPGN220408	10 Inserts for Polygon Making Heads	138
MTSK50C05	MTSK-50 Adaptors Mill	136			
MTSK50C06	MTSK-50 Adaptors Mill	136			
MTSK50C07	MTSK-50 Adaptors Mill	136			
MTSK50D01	MTSK-50 Adaptor Weldon 6	136			
MTSK50D02	MTSK-50 Adaptor Weldon 8	136			
MTSK50D03	MTSK-50 Adaptor Weldon 10	136			
MTSK50D04	MTSK-50 Adaptor Weldon 12	136			
MTSK50D05	MTSK-50 Adaptor Weldon 16	136			
MTSK50D07	MTSK-50 Adaptor Weldon 20	136			
MTSK50D08	MTSK-50 Adaptor Weldon 25	136			
MTSK50D11	MTSK-50 Adaptor Weldon 1/4"	136			
MTSK50D12	MTSK-50 Adaptor Weldon 5/16"	136			
MTSK50D13	MTSK-50 Adaptor Weldon 3/8"	136			
MTSK50D14	MTSK-50 Adaptor Weldon 1/2"	136			
MTSK50D15	MTSK-50 Adaptor Weldon 5/8"	136			
MTSK50E01	MTSK-50 Adaptor POWERGRIP PG25	136			
MTSK50T00	MTSK-50 Cover Plug	136			
MTSK63A01	MTSK-63 Adaptor ER50	137			
MTSK63A02	MTSK-63 Adaptor ER40	137			
MTSK63A03	MTSK-63 Adaptor ER32	137			
MTSK63A04	MTSK-63 Adaptor ER25	137			
MTSK63B01	MTSK-63 Adaptor ERA40	137			
MTSK63B02	MTSK-63 Adaptor ERA32	137			
MTSK63B03	MTSK-63 Adaptor ERA25	137			
MTSK63C02	MTSK-63 Adaptor Mill 16x17	137			
MTSK63C03	MTSK-63 Adaptor Mill 3/4"x3/4"	137			
MTSK63C04	MTSK-63 Adaptor Mill 22x19	137			
MTSK63C05	MTSK-63 Adaptor Mill 1"x3/4"	137			
MTSK63C06	MTSK-63 Adaptor Mill 27x21	137			
MTSK63C07	MTSK-63 Adaptor Mill 27x21	137			
MTSK63D01	MTSK-63 Adaptor Weldon 6	137			
MTSK63D02	MTSK-63 Adaptor Weldon 8	137			
MTSK63D03	MTSK-63 Adaptor Weldon 10	137			
MTSK63D04	MTSK-63 Adaptor Weldon 12	137			
MTSK63D05	MTSK-63 Adaptor Weldon 16	137			
MTSK63D06	MTSK-63 Adaptor Weldon 20	137			
MTSK63D17	MTSK-63 Adaptor Weldon 1"	137			
MTSK63E01	MTSK-63 POWERGRIP PG32	137			
MTSK63T00	MTSK-63 Cover Plug	137			
P					
P01Z20A100	2 Insert Polygon Making Head (with Inserts)	138			
P01Z30A100	3 Insert Polygon Making Head (with Inserts)	138			
S					
SAU0447132	Axial Geared-Up 1:2 Redirected ERA32	126			
SAU0447232	Axial Geared-Up 1:2 Redirected ERA32 Cool Thru*	126			
SAU0460420	Axial Driven Tool Weldon 20 VDI40 DIN 5482	126			