

DRIVEN and STATIC TOOLING

For

MIYANO



10139 BERGIN RD.

HOWELL, MI 48843

PHONE : 877-91-TOOLS (810-632-4446)

FAX: 877-92-TOOLS (810-632-4467)

EMAIL: info@mdtooling.com

WEBSITE: www.mdtooling.com

Live Tooling



M. T. Marchetti, a major live tool manufacturer in northern Italy, is a leader in live tool technology. The formula is simple. Use only the best angular contact high-speed bearings available. Add to this an exacting tolerances for all ground shafts, gears and bearing pocket features. Next, develop a sealed system that **will not** allow any contamination from chips or coolant.

Top this all off with a superior design and you end up with a live tool that is more rigid, faster and will last longer. **We back this up with a 2-Year factory warranty.**

Our Live Tool Warranty

Our tooling will give years of service in the most demanding applications. The superior design and rugged construction has proven this over the last 12 years. The reliability of our tools allows us to provide a 2-year factory warranty, for non-wear components.

MD Tooling will repair any defective tool holders for a period of 2 years from the date of purchase.

Product Range

We have the largest range of live tooling available for most major machine tool manufactures.

Our available products include an extensive line of standard live tooling as well as specialty tool holders such as 0-180 adjustable angle tool holders, gear hobbors, and even worm gear generators. Our product range includes geared up holders to 60,000 RPM and are engineered for 1,000 PSI coolant through.

We are an industry leader in providing complete tooling solutions with hundreds of static tool options as well.

Technical Support

Here at MD Tooling we have a full technical support department with over 35 years of CNC experience.

Our highly qualified staff can help with part processing, tooling up a job from a blue print and even assist with part programming. Applications Engineers are always available by phone to answer any questions you may have about our tooling or any other CNC related issue.

Stock and Replenishment

MD Tooling maintains an extensive inventory of tooling in our warehouse in Michigan. Our current "fill" rate on orders is 93% from our stock in Michigan for same day shipping.

Should you require a non-stock item, our manufacturer, M.T. Marchetti also maintains a large inventory in Italy. Tooling can be obtained in as little as 3-5 business days.

Shipping

MD Tooling realizes that when you need tooling, often you can't wait until the next day. We process orders and ship from available stock right up until 4PM EST to make certain we get your tooling solutions to you as quickly as possible.

We regularly ship throughout the day via UPS, FedEx or any other carrier that a customer requests.



10139 Bergin Road
Howell, MI 48843
Phone: (810) 632-4446
Fax: (810) 632-4467
Email: info@mdtooling.com
Web: www.mdtooling.com

- Fast, Friendly, Reliable Service!
- Quality tooling at highly competitive pricing.
- 2-Year Warranty on all live tools.
- Extensive inventory. We currently ship over 93% of all orders same day.
- In-house repair services available.
- If a warranty tool needs to be returned for inspection, service or repair, loaner tools are available to keep your machine tool production up and running.
- More specialty tool holders than any other manufacturer.
- Custom tool holders available.
- All available tooling may not be shown in this catalog. If you can't find the holder you're looking for, please contact our office for assistance.



Table of Contents

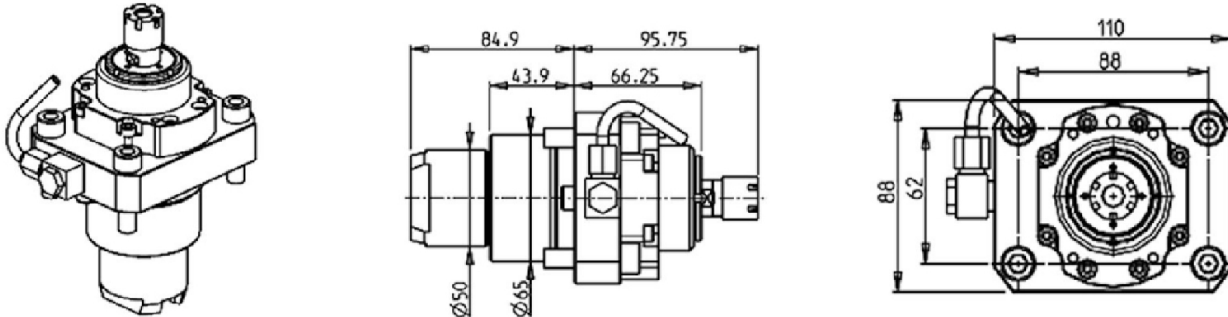
Categorized Listing

BNE64	1
DRIVEN	1
RADIAL GEARED-UP 1:5.625 DRIVEN TOOL	1
AXIAL GEARED-UP 1:5.625 DRIVEN TOOL	1
STATIC	2
AXIAL DOUBLE BORING BAR HOLDER	2
ABX-51/64 SY /TH2/TH3 - BND-51 C/S/SY - BNE-34/51 S/SY/MSY - BNJ-34/42/51 S/SY - BNX-42/51 SY	3
DRIVEN	3
RADIAL DRIVEN TOOL	3
QUICK CHANGE RADIAL MTSK DRIVEN TOOL	3
AXIAL DRIVEN TOOL H=65mm	4
AXIAL OPPOSITE FACE TWIN DRIVEN TOOL H=65mm	4
(0-180) ADJUSTABLE ANGLE DRIVEN TOOL	5
(0-180) ADJUSTABLE ANGLE DRIVEN TOOL WITH DIGITAL DISPLAY	5
(0-180) ADJUSTABLE ANGLE DRIVEN TOOL GEARED-UP 1:2	6
(0-180) ADJUSTABLE ANGLE DRIVEN TOOL GEARED-UP 1:2 WITH DIGITAL DISPLAY	6
BROACHING/SLOTTING DRIVEN TOOL 50mm STROKE H=85mm	7
BROACHING/SLOTTING DRIVEN TOOL 25mm STROKE H=85mm	7
STATIC	8
RADIAL DOUBLE BLADE HOLDER WITH BLADE KIT	8
ABX-51/64/80 SYY/THY	9
DRIVEN	9
RADIAL DRIVEN TOOL	9
AXIAL DRIVEN TOOL H=75mm	9
AXIAL GEARED-UP 1:2 DRIVEN TOOL H=75mm	10
(0-180) ADJUSTABLE ANGLE DRIVEN TOOL H=60mm	10
(0-180) ADJUSTABLE ANGLE DRIVEN TOOL WITH DIGITAL DISPLAY H=60mm	11
(0-180) ADJUSTABLE ANGLE DRIVEN TOOL GEARED-UP 1:2 H=60mm	11
(0-180) ADJUSTABLE ANGLE DRIVEN TOOL GEARED-UP 1:2 WITH DIGITAL DISPLAY H=60mm	12
DRIVEN GEAR HOBBER	12
QUICK CHANGE AXIAL MTSK DRIVEN TOOL FOR POWER SKIVING H=85mm	13
STATIC	14
RADIAL SINGLE STATIC TOOL	14
AXIAL SINGLE REAR SET BORING BAR HOLDER H=85mm	14
RADIAL SINGLE STATIC TOOL CAPTO C4	15
RADIAL SINGLE SIDE TWIN STATIC TOOL CAPTO C3	15
BNA 34-42 S/C/DHY/MSY/GTY - BNC-42C - ANX-42SYY	16
DRIVEN	16
RADIAL DRIVEN TOOL	16
RADIAL GEARED-UP 1:3 DRIVEN TOOL REDIRECTED IN Z BY 36mm	16
RADIAL SINGLE SIDE TWIN HEAD DRIVEN TOOL IN Y	17
AXIAL DRIVEN TOOL H=59mm	18
AXIAL GEARED-UP 1:3 REAR-SET DRIVEN TOOL	18
AXIAL OPPOSITE FACE REAR-SET DRIVEN TOOL	19
0-180° ADJUSTABLE ANGLE DRIVEN TOOL H=48mm	19
STATIC	20
RADIAL DOUBLE STATIC TOOL	20
RADIAL BLADE HOLDER WITH INTERNAL COOLANT - BLADE KIT NOT INCLUDED	20
AXIAL 3 POSITION BORING BAR HOLDER	21
ACCESSORIES	22
DRIVEN	22
MTSK-40 ER ADAPTORS	22
MTSK-40 MILL ADAPTORS	23

BNE64

DRIVEN

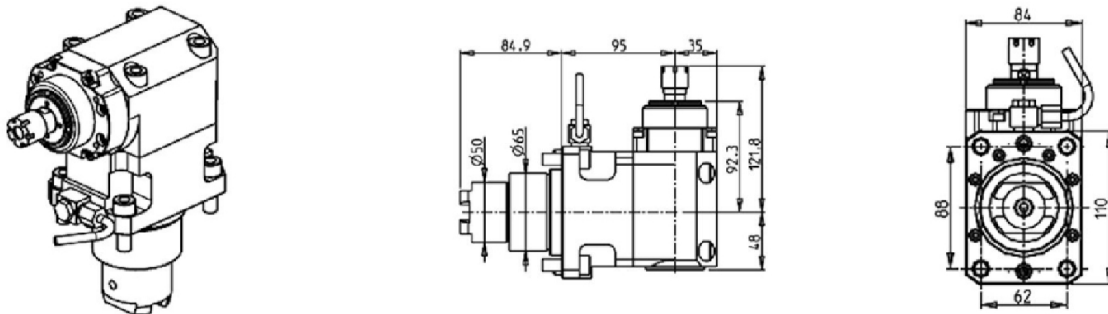
RADIAL GEARED-UP 1:5.625 DRIVEN TOOL



PartNumber	Description	Spindle	I	RPM	Ext. Cool
MYA0010016	Radial ER16 Geared-Up 1:5.625	ER16	1:5.625	22500	X

Note : Wrenches are provided with the purchase of Specialty Toolholders

AXIAL GEARED-UP 1:5.625 DRIVEN TOOL



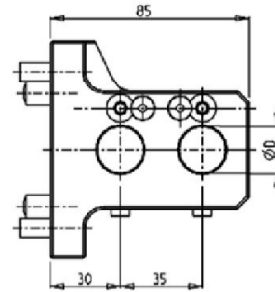
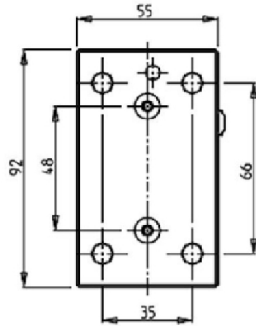
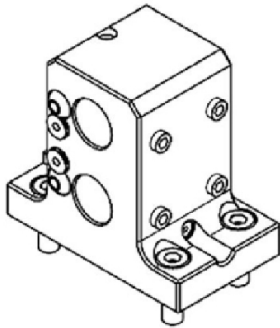
PartNumber	Description	Spindle	I	RPM	Reversible	Ext Cool
MYA0020016	Axial ER16 Geared-Up 1:5.625	ER16	1:5.625	22500	X	X

Note : Wrenches are provided with the purchase of Specialty Toolholders

BNE64

STATIC

AXIAL DOUBLE BORING BAR HOLDER

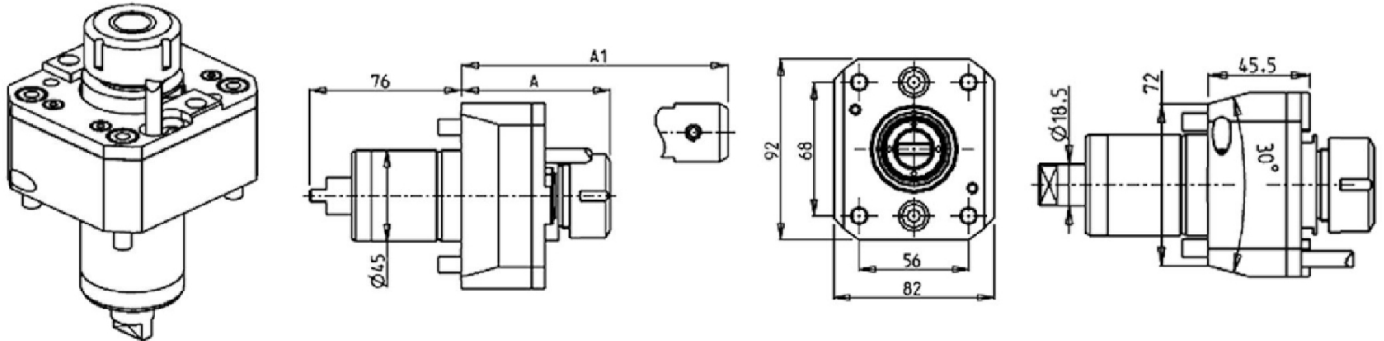


PartNumber	Description	# of Tools	Ext Cool	Dimensions	D
MYA0032000	Axial Double Boring Bar Holder Ø20mm	2	X	mm	20

ABX-51/64 SY /TH2/TH3 - BND-51 C/S/SY - BNE-34/51 S/SY/MSY - BNJ-34/42/51 S/SY - BNX-42/51 SY

DRIVEN

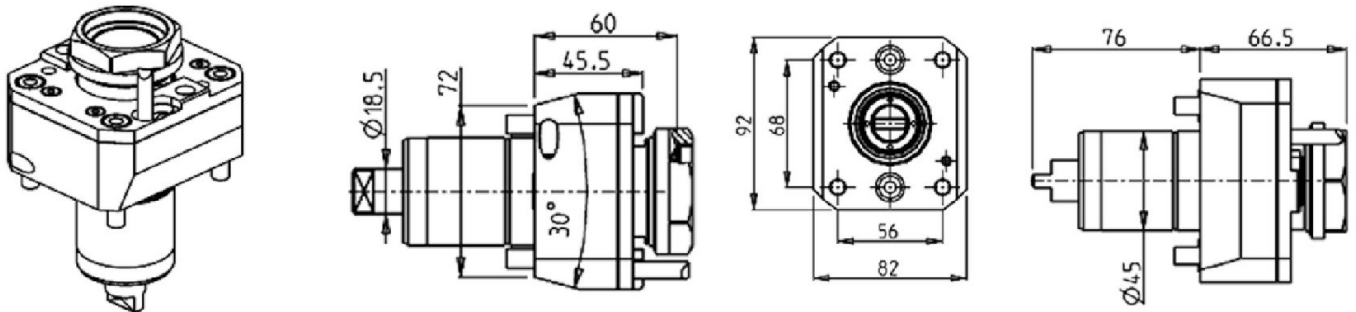
RADIAL DRIVEN TOOL



PartNumber	Description	Spindle	I	RPM	Cool Thru	Ext Cool	A	A1
MYA0100125	Radial Driven Tool ER25	ER25	1:1	6000		X	74.2	
MYA0100225	Radial Driven Tool ER25 Cool Thru*	ER25	1:1	6000	X	X	80.7	
MYA0100325	Radial Driven Tool ERA25	ERA25	1:1	6000		X	51	
MYA0100425	Radial Driven Tool ERA25 Cool Thru*	ERA25	1:1	6000	X	X	57.5	
MYA0100132	Radial Driven Tool ER32	ER32	1:1	6000		X	77.2	
MYA0100720	Radial Driven Tool Weldon 20	Weldon 20	1:1	6000		X		77.5

* Coolant Thru tools are designed for 1000 psi. They require 5 Micron Filtration and **CANNOT** be run dry.

QUICK CHANGE RADIAL MTSK DRIVEN TOOL

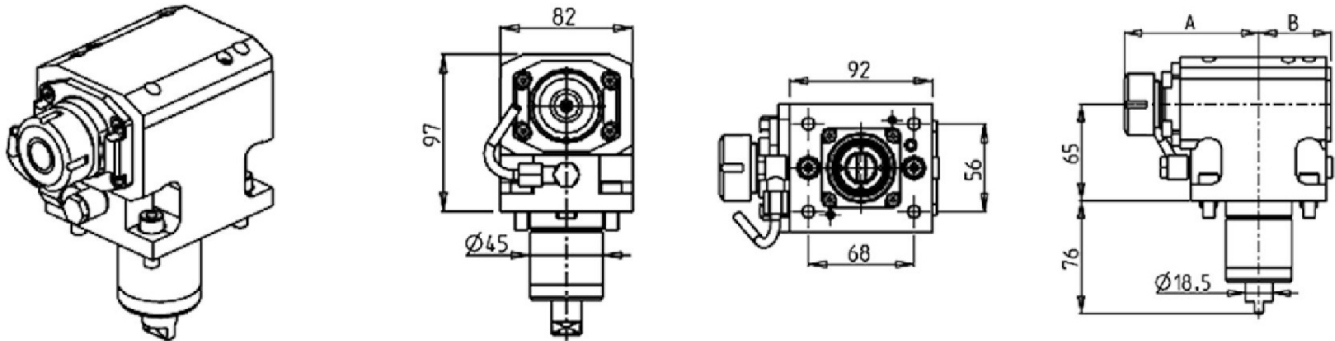


PartNumber	Description	Spindle	I	RPM	Ext Cool
MYA0300140	Radial MTSK-40 Driven Tool	MTSK-40	1:1	6000	X

ABX-51/64 SY /TH2/TH3 - BND-51 C/S/SY - BNE-34/51 S/SY/MSY - BNJ-34/42/51 S/SY - BNX-42/51 SY

DRIVEN

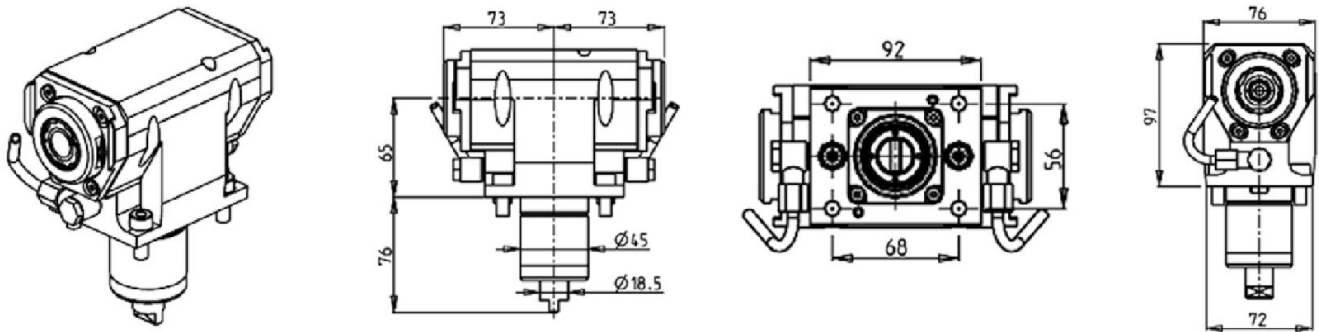
AXIAL DRIVEN TOOL H=65mm



PartNumber	Description	Spindle	I	RPM	Reversible	Cool Thru	Ext Cool	A	B
MYA0110125	Axial Driven Tool ER25	ER25	1:1	6000	X		X	91.2	49
MYA0110225	Axial Driven Tool ER25 Cool Thru*	ER25	1:1	6000	X	X	X	91.2	60
MYA0110325	Axial Driven Tool ERA25	ERA25	1:1	6000	X		X	72.5	49
MYA0110425	Axial Driven Tool ERA25 Cool Thru*	ERA25	1:1	6000	X	X	X	72.5	60

* Coolant Thru tools are designed for 1000 psi.
They require 5 Micron Filtration and **CANNOT** be run dry.

AXIAL OPPOSITE FACE TWIN DRIVEN TOOL H=65mm

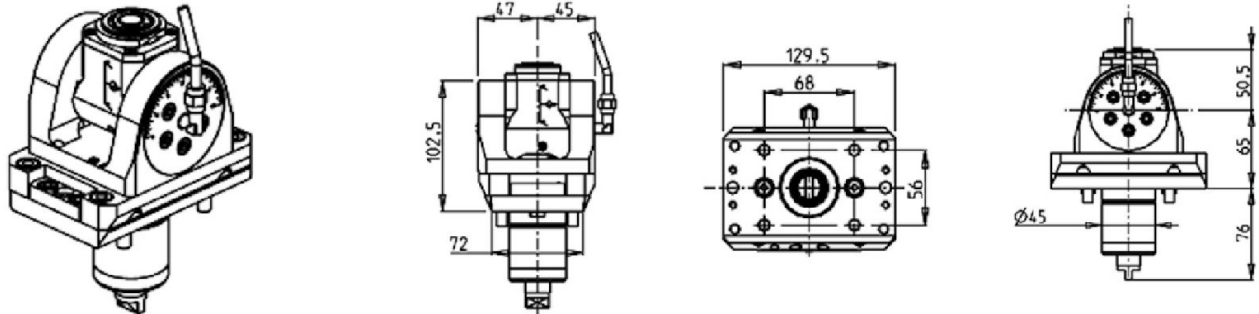


PartNumber	Description	Spindle	I	RPM	Reversible	Ext Cool
MYA0290325	Axial Opposite Face ERA25+ERA25	ERA25+ERA25	1:1	6000	X	X

ABX-51/64 SY /TH2/TH3 - BND-51 C/S/SY - BNE-34/51 S/SY/MSY - BNJ-34/42/51 S/SY - BNX-42/51 SY

DRIVEN

(0-180) ADJUSTABLE ANGLE DRIVEN TOOL



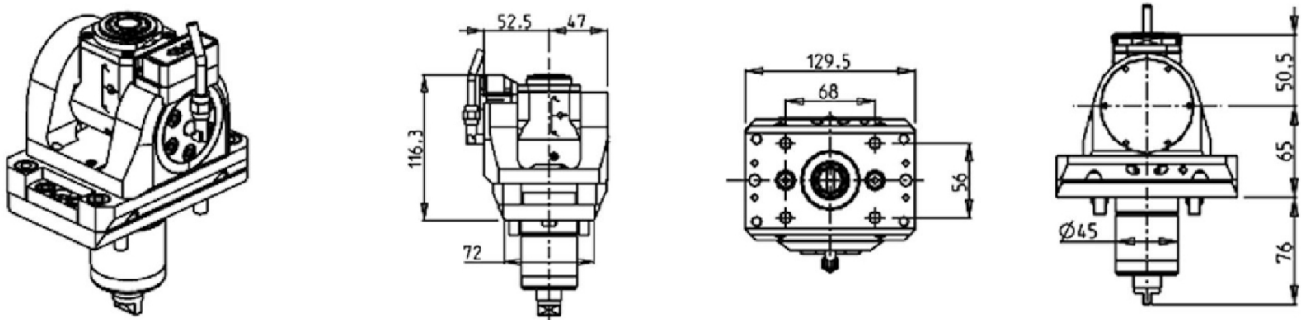
PartNumber	Description	Spindle	I	RPM	Reversible	Cool Thru	Ext Cool
MYA0080120	(0-180) Adj. Angle ERA20	ERA20	1:1	6000	X		X
MYA0080220	(0-180) Adj. Angle ERA20 Cool Thru*	ERA20	1:1	6000	X	X	X

* Coolant Thru tools are designed for 1000 psi. They require 5 Micron Filtration and **CANNOT** be run dry.

Note :

Wrenches are provided with the purchase of Specialty Toolholders

(0-180) ADJUSTABLE ANGLE DRIVEN TOOL WITH DIGITAL DISPLAY



PartNumber	Description	Spindle	I	RPM	Reversible	Cool Thru	Ext Cool
MYA0085120	(0-180) Adj. Angle ERA20 with Digital Display	ERA20	1:1	6000	X		X
MYA0085220	(0-180) Adj. Angle ERA20 with Digital Display Cool Thru*	ERA20	1:1	6000	X	X	X

* Coolant Thru tools are designed for 1000 psi. They require 5 Micron Filtration and **CANNOT** be run dry.

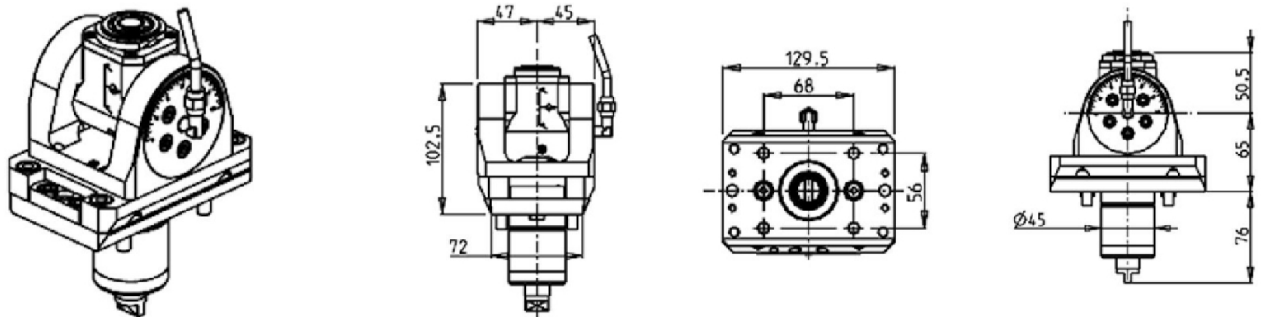
Note :

Wrenches are provided with the purchase of Specialty Toolholders

ABX-51/64 SY /TH2/TH3 - BND-51 C/S/SY - BNE-34/51 S/SY/MSY - BNJ-34/42/51 S/SY - BNX-42/51 SY

DRIVEN

(0-180) ADJUSTABLE ANGLE DRIVEN TOOL GEARED-UP 1:2



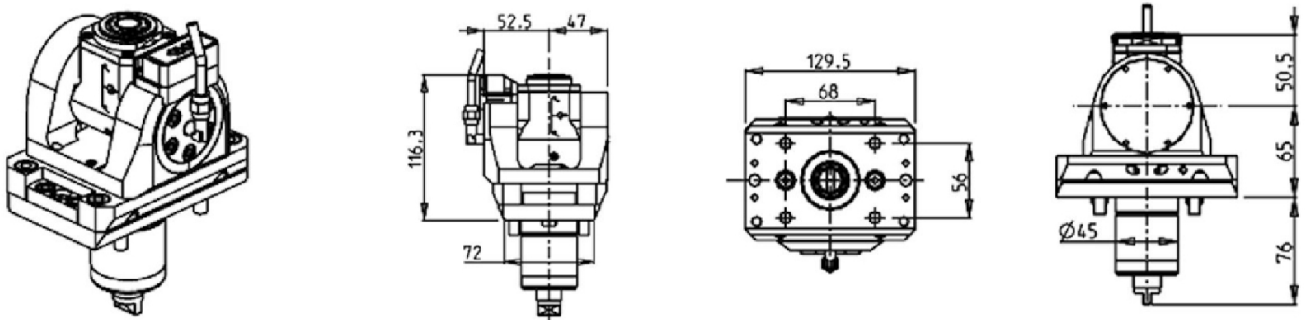
PartNumber	Description	Spindle	I	RPM	Reversible	Cool Thru	Ext Cool
MYA0080316	(0-180) Adj. Angle ERA16 Geared-Up	ERA16	1:2	12000	X		X
MYA0080416	(0-180) Adj. Angle ERA16 Geared-Up Cool Thru*	ERA16	1:2	12000	X	X	X

* Coolant Thru tools are designed for 1000 psi. They require 5 Micron Filtration and **CANNOT** be run dry.

Note :

Wrenches are provided with the purchase of Specialty Toolholders

(0-180) ADJUSTABLE ANGLE DRIVEN TOOL GEARED-UP 1:2 WITH DIGITAL DISPLAY



PartNumber	Description	Spindle	I	RPM	Reversible	Cool Thru	Ext Cool
MYA0085316	(0-180) Adj. Angle ERA16 Geared-Up with Digital Display	ERA16	1:2	12000	X		X
MYA0085416	(0-180) Adj. Angle ERA16 Geared-Up with Digital Display Cool Thru*	ERA16	1:2	12000	X	X	X

* Coolant Thru tools are designed for 1000 psi. They require 5 Micron Filtration and **CANNOT** be run dry.

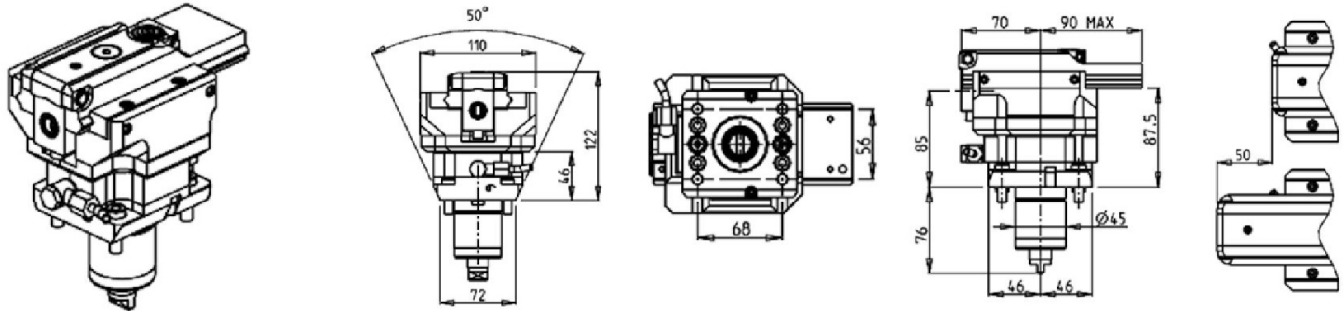
Note :

Wrenches are provided with the purchase of Specialty Toolholders

ABX-51/64 SY /TH2/TH3 - BND-51 C/S/SY - BNE-34/51 S/SY/MSY - BNJ-34/42/51 S/SY - BNX-42/51 SY

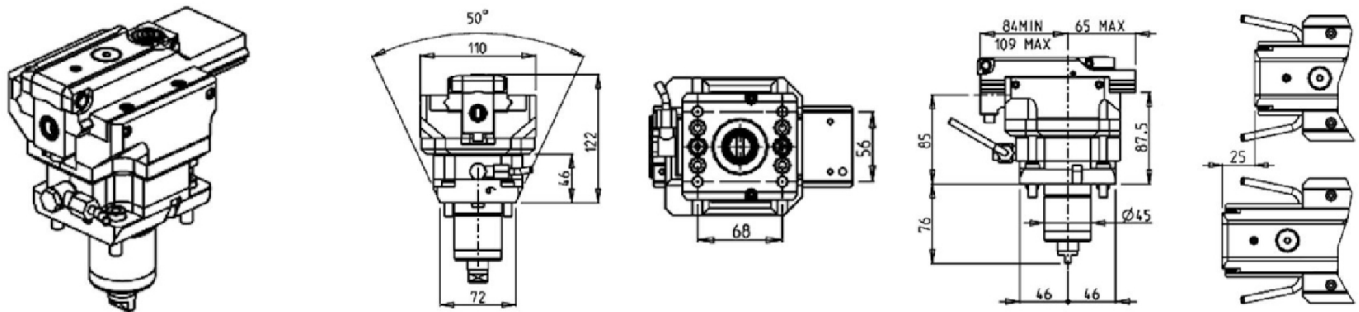
DRIVEN

BROACHING/SLOTING DRIVEN TOOL 50mm STROKE H=85mm



PartNumber	Description	I	MAX RPM	Reversible	Ext Cool
MYA0050100	Broaching/Slotting Driven Tool 50mm Stroke	4:1	2000	X	X

BROACHING/SLOTING DRIVEN TOOL 25mm STROKE H=85mm

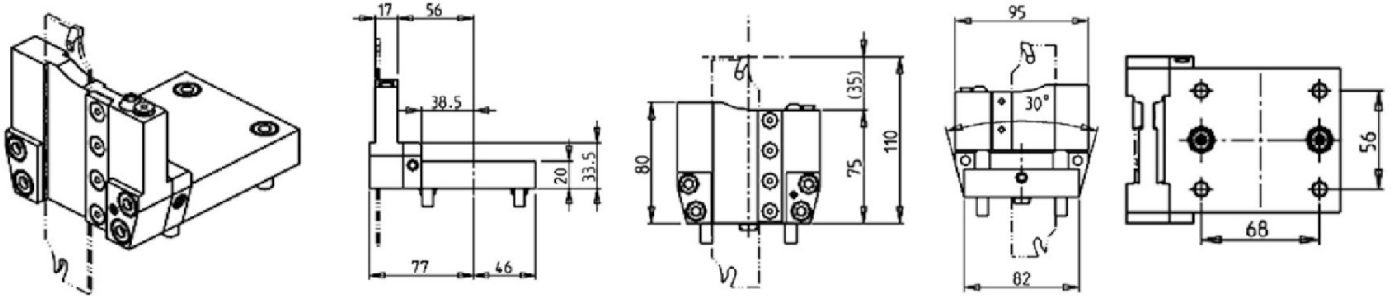


PartNumber	Description	I	MAX RPM	Reversible	Ext Cool
MYA0050200	Broaching/Slotting Driven Tool 25mm Stroke	4:1	2400	X	X

ABX-51/64 SY /TH2/TH3 - BND-51 C/S/SY - BNE-34/51 S/SY/MSY - BNJ-34/42/51 S/SY - BNX-42/51 SY

STATIC

RADIAL DOUBLE BLADE HOLDER WITH BLADE KIT

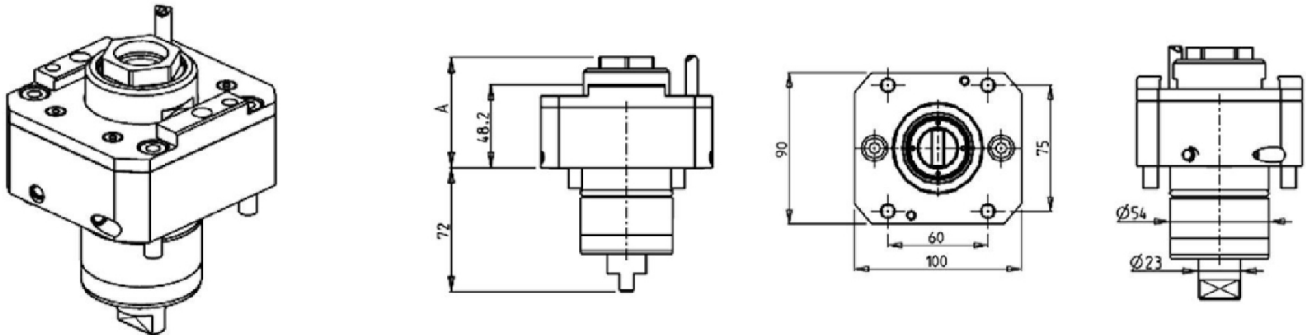


PartNumber	Description	# of Tools	Ext Cool
MYA0260132	Radial Double Blade Holder with Blade Kit	1	X
BLADEKIT	Blade Kit: 1 Blade, 10 Inserts		

ABX-51/64/80 SYY/THY

DRIVEN

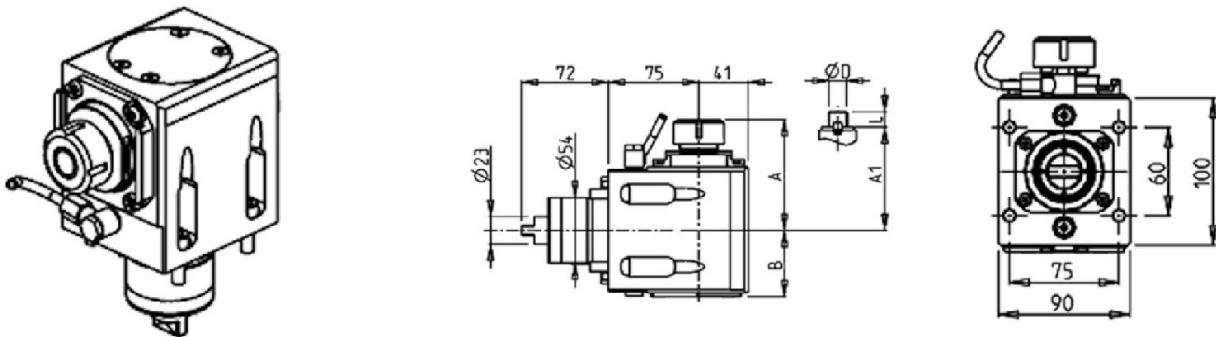
RADIAL DRIVEN TOOL



PartNumber	Description	Spindle	I	RPM	Cool Thru	Ext Cool	A
MYA0140332	Radial Driven Tool ERA32	ERA32	1:1	6000		X	64
MYA0140432	Radial Driven Tool ERA32 Cool Thru*	ERA32	1:1	6000	X	X	74.5

* Coolant Thru tools are designed for 1000 psi.
They require 5 Micron Filtration and **CANNOT** be run dry.

AXIAL DRIVEN TOOL H=75mm



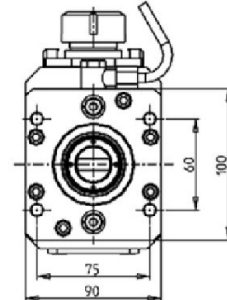
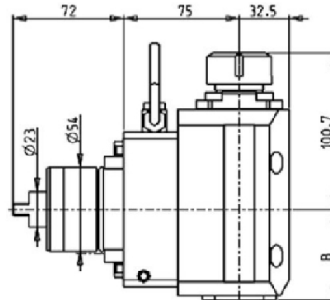
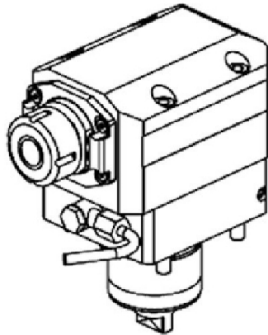
PartNumber	Description	Spindle	I	RPM	Reversible	Cool Thru	Ext Cool	A	A1	B
MYA0150325	Axial Driven Tool ERA25	ERA25	1:1	6000	X		X	65		54.5
MYA0150425	Axial Driven Tool ERA25 Cool Thru*	ERA25	1:1	6000	X	X	X	65		65.5
MYA0150125	Axial Driven Tool ER25	ER25	1:1	6000	X		X	91.16		54.5
MYA0150225	Axial Driven Tool ER25 Cool Thru*	ER25	1:1	6000	X	X	X	91.16		65.5
MYA0150132	Axial Driven Tool ER32	ER32	1:1	6000	X		X	93.66		54.5
MYA0150232	Axial Driven Tool ER32 Cool Thru*	ER32	1:1	6000	X	X	X	93.66		65.5
MYA0150140	Axial Driven Tool ER40	ER40	1:1	6000	X		X	98.16		54.5
MYA0150240	Axial Driven Tool ER40 Cool Thru*	ER40	1:1	6000	X	X	X	98.16		65.5
MYA0150516	Axial Driven Tool 16x17mm	16x17	1:1	6000	X		X		67.5	54.5
MYA0150522	Axial Driven Tool 22x19mm	22x19	1:1	6000	X		X		67.5	54.5
MYA0150527	Axial Driven Tool 27x21mm	27x21	1:1	6000	X		X		70	54.5

* Coolant Thru tools are designed for 1000 psi.
They require 5 Micron Filtration and **CANNOT** be run dry.

ABX-51/64/80 SYY/THY

DRIVEN

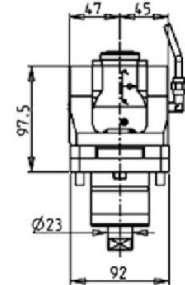
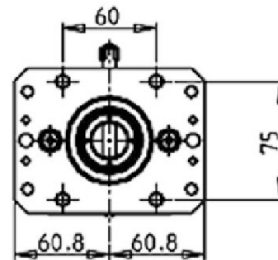
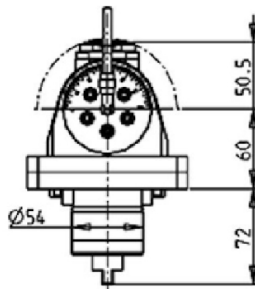
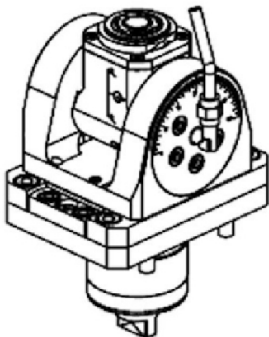
AXIAL GEARED-UP 1:2 DRIVEN TOOL H=75mm



PartNumber	Description	Spindle	I	RPM	Reversible	Cool Thru	Ext Cool	B
MYA0160125	Axial Geared-Up 1:2 ER25	ER25	1:2	12000	X		X	58.5
MYA0160225	Axial Geared-Up 1:2 ER25 Cool Thru*	ER25	1:2	12000	X	X	X	68.5

* Coolant Thru tools are designed for 1000 psi.
They require 5 Micron Filtration and **CANNOT** be run dry.

(0-180) ADJUSTABLE ANGLE DRIVEN TOOL H=60mm



PartNumber	Description	Spindle	I	RPM	Reversible	Cool Thru	Ext Cool
MYA0120120	(0-180) Adj. Angle ERA20	ERA20	1:1	6000	X		X
MYA0120220	(0-180) Adj. Angle ERA20 Cool Thru*	ERA20	1:1	6000	X	X	X

* Coolant Thru tools are designed for 1000 psi.
They require 5 Micron Filtration and **CANNOT** be run dry.

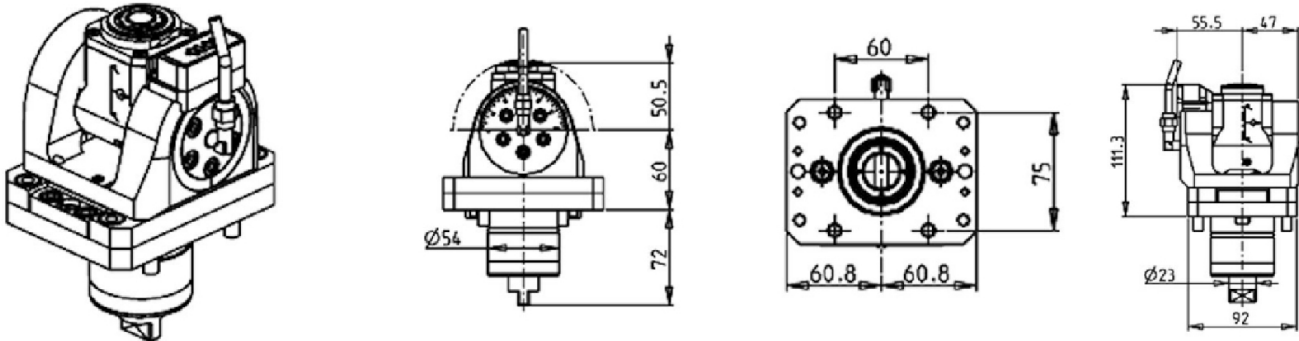
Note :

Wrenches are provided with the purchase of Specialty Toolholders

ABX-51/64/80 SYY/THY

DRIVEN

(0-180) ADJUSTABLE ANGLE DRIVEN TOOL WITH DIGITAL DISPLAY H=60mm



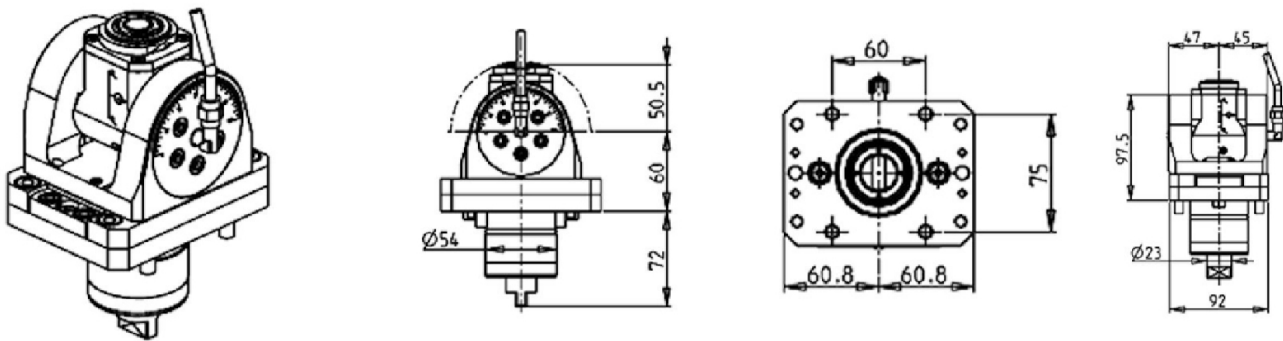
PartNumber	Description	Spindle	I	RPM	Reversible	Cool Thru	Ext Cool
MYA0125120	(0-180) Adj. Angle ERA20 with Digital Display	ERA20	1:1	6000	X		X
MYA0125220	(0-180) Adj. Angle ERA20 with Digital Display Cool Thru*	ERA20	1:1	6000	X	X	X

* Coolant Thru tools are designed for 1000 psi.
They require 5 Micron Filtration and **CANNOT** be run dry.

Note :

Wrenches are provided with the purchase of Specialty Toolholders

(0-180) ADJUSTABLE ANGLE DRIVEN TOOL GEARED-UP 1:2 H=60mm



PartNumber	Description	Spindle	I	RPM	Reversible	Cool Thru	Ext Cool
MYA0120316	(0-180) Adj. Angle ERA16 Geared-Up	ERA16	1:2	12000	X		X
MYA0120416	(0-180) Adj. Angle ERA16 Geared-Up Cool Thru*	ERA16	1:2	12000	X	X	X

* Coolant Thru tools are designed for 1000 psi.
They require 5 Micron Filtration and **CANNOT** be run dry.

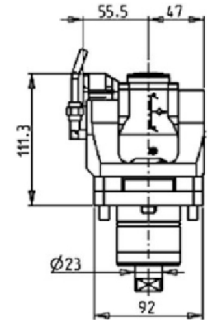
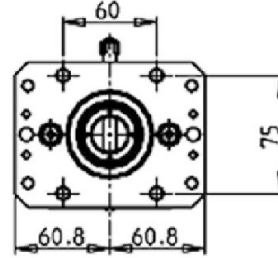
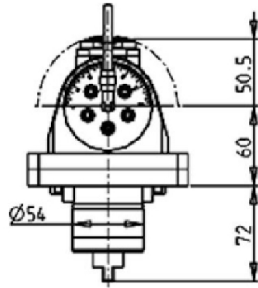
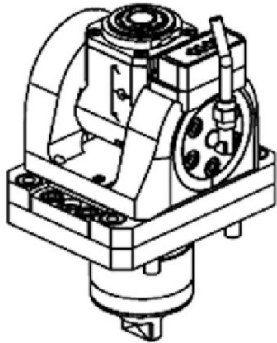
Note :

Wrenches are provided with the purchase of Specialty Toolholders

ABX-51/64/80 SYY/THY

DRIVEN

(0-180) ADJUSTABLE ANGLE DRIVEN TOOL GEARED-UP 1:2 WITH DIGITAL DISPLAY H=60mm



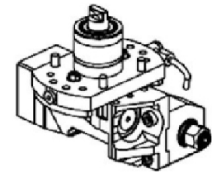
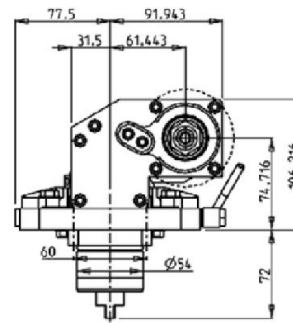
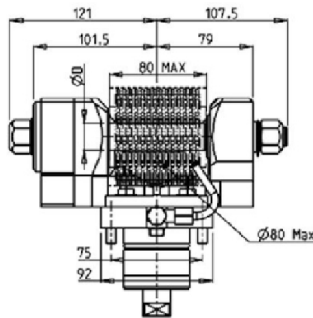
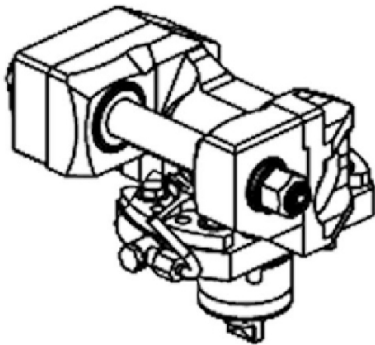
PartNumber	Description	Spindle	I	RPM	Reversible	Cool Thru	Ext Cool
MYA0125316	(0-180) Adj. Angle ERA16 Geared-Up with Digital Display	ERA16	1:2	12000	X		X
MYA0125416	(0-180) Adj. Angle ERA16 Geared-Up with Digital Display Cool Thru*	ERA16	1:2	12000	X	X	X

* Coolant Thru tools are designed for 1000 psi.
They require 5 Micron Filtration and **CANNOT** be run dry.

Note :

Wrenches are provided with the purchase of Specialty Toolholders

DRIVEN GEAR HOBBER



PartNumber	Description	I	RPM	Reversible	Ext Cool	D (Inch)	D (mm)
MYA0131100	Driven Gear Hobb 1:1	1:1	6000	X	X	3/4"-1"-1 1/4"	16-22-27-32
MYA0132100	Driven Gear Hobb 2:1 Geared-Down	2:1	3000	X	X	3/4"-1"-1 1/4"	16-22-27-32

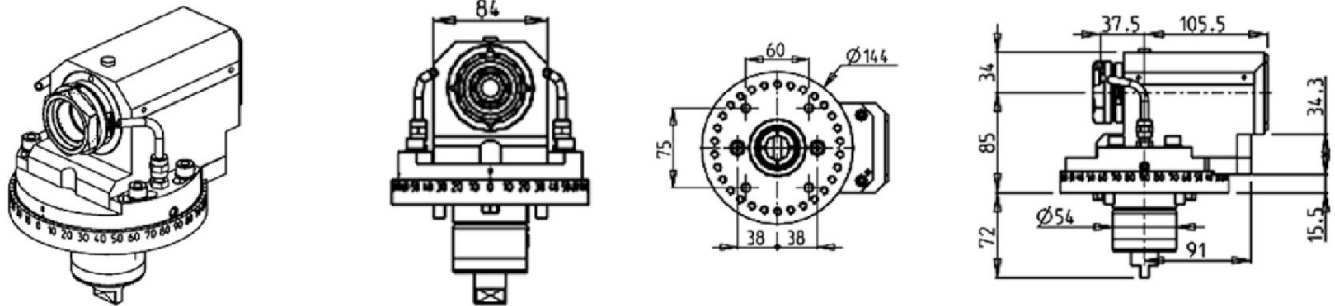
Note :

Wrenches are provided with the purchase of Specialty Toolholders

ABX-51/64/80 SYY/THY

DRIVEN

QUICK CHANGE AXIAL MTSK DRIVEN TOOL FOR POWER SKIVING H=85mm



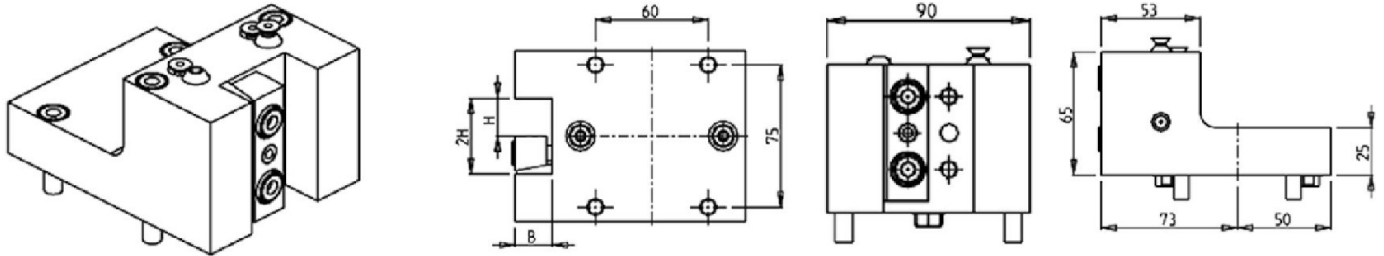
PartNumber	Description	Spindle	I	RPM	Reversible	Ext Cool
MYA0210100	Axial MTSK-40 for Power Skiving	MTSK-40	1:1	6000	X	X

Note : Wrenches are provided with the purchase of Specialty Toolholders

ABX-51/64/80 SYY/THY

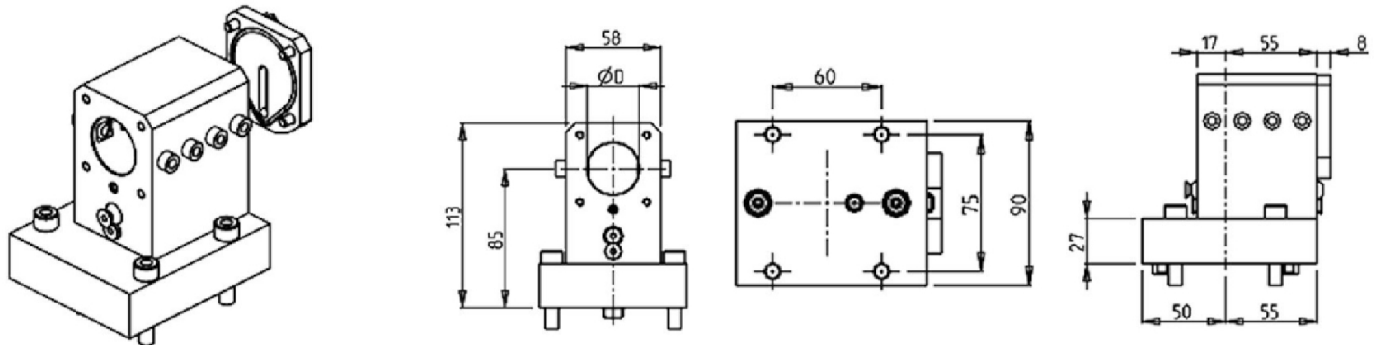
STATIC

RADIAL SINGLE STATIC TOOL



PartNumber	Description	Reversible	Dimensions	B	H
MYA0172000	Radial Single Static Tool 20mm	X	mm	20	20

AXIAL SINGLE REAR SET BORING BAR HOLDER H=85mm

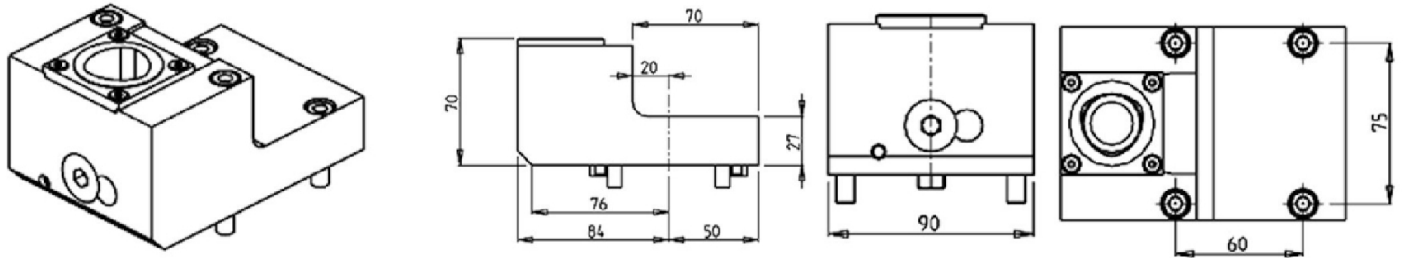


PartNumber	Description	# of Tools	Reversible	Cool Thru	Ext Cool	Dimensions	D
MYA0183200	Axial Rear Set BBH 32mm	1	X	X	X	mm	32
KIT1000031	Plug for Ø32mm BBH to Make Cool Thru*						

ABX-51/64/80 SYY/THY

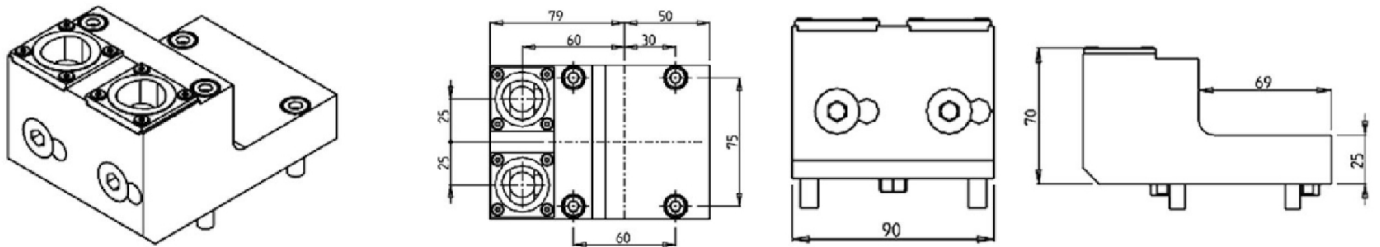
STATIC

RADIAL SINGLE STATIC TOOL CAPTO C4



PartNumber	Description	# of Tools	Cool Thru	Reversible	Size
MYA0194010	Radial Single Static Tool Capto C4 Right Version	1	X	X	C4
MYA0194010LC	Radial Single Static Tool Capto C4 Left Version	1	X	X	C4

RADIAL SINGLE SIDE TWIN STATIC TOOL CAPTO C3

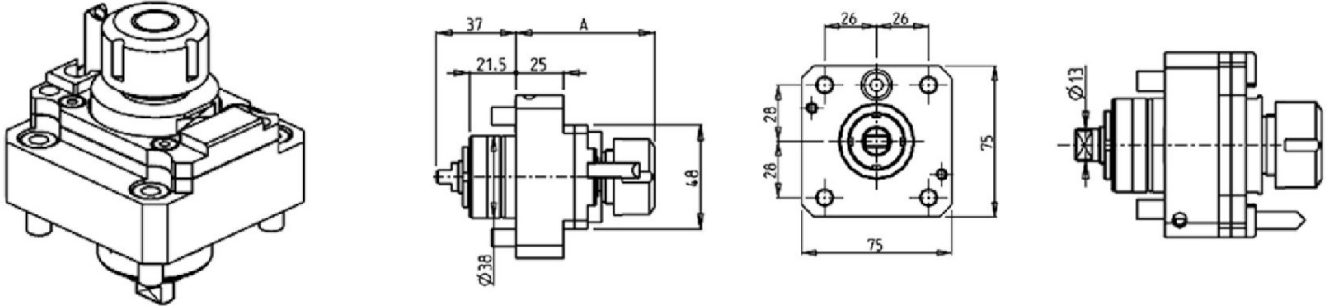


PartNumber	Description	# of Tools	Cool Thru	Size
MYA0203220	Radial Single Side Twin Static Capto C3 Right Version	2	X	C3
MYA0203220LC	Radial Single Side Twin Static Capto C3 Left Version	2	X	C3

BNA 34-42 S/C/DHY/MSY/GTY - BNC-42C - ANX-42SYY

DRIVEN

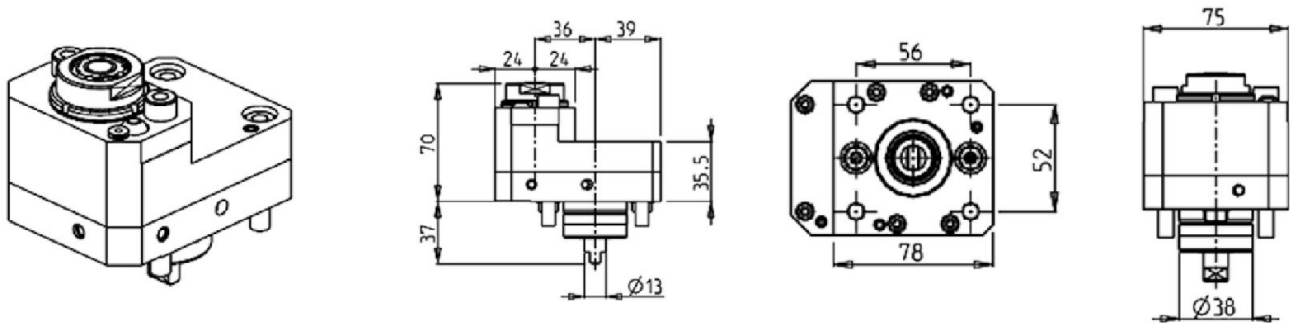
RADIAL DRIVEN TOOL



PartNumber	Description	Spindle	I	RPM	Cool Thru	Ext Cool	A
MYA0220120	Radial Driven Tool ER20	ER20	1:1	6000		X	64.16
MYA0221420	Radial Driven Tool ERA20 Cool Thru*	ERA20	1:1	6000	X	X	59.5

* Coolant Thru tools are designed for 1000 psi.
They require 5 Micron Filtration and **CANNOT** be run dry.

RADIAL GEARED-UP 1:3 DRIVEN TOOL REDIRECTED IN Z BY 36mm



PartNumber	Description	Spindle	I	RPM	Reversible	Cool Thru	Ext Cool	A
MYA0312316	Radial Geared-Up 1:3 ERA16	ERA16	1:3	18000	X		X	70
MYA0312416	Radial Geared-Up 1:3 ERA16 Cool Thru*	ERA16	1:3	18000	X	X	X	81

* Coolant Thru tools are designed for 1000 psi.
They require 5 Micron Filtration and **CANNOT** be run dry.

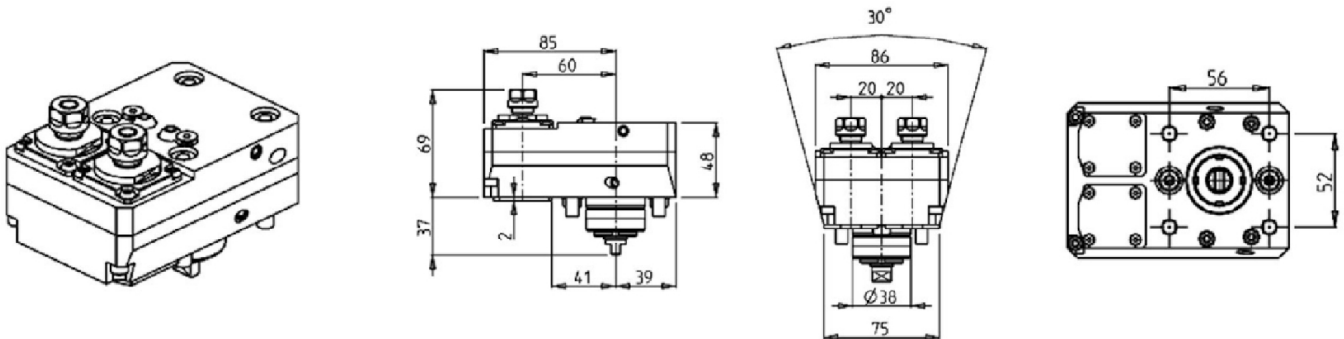
BNA 34-42 S/C/DHY/MSY/GTY - BNC-42C - ANX-42SYY

DRIVEN

RADIAL SINGLE SIDE TWIN HEAD DRIVEN TOOL IN Y

This tool will not fit the following machine models:

BNC-42C

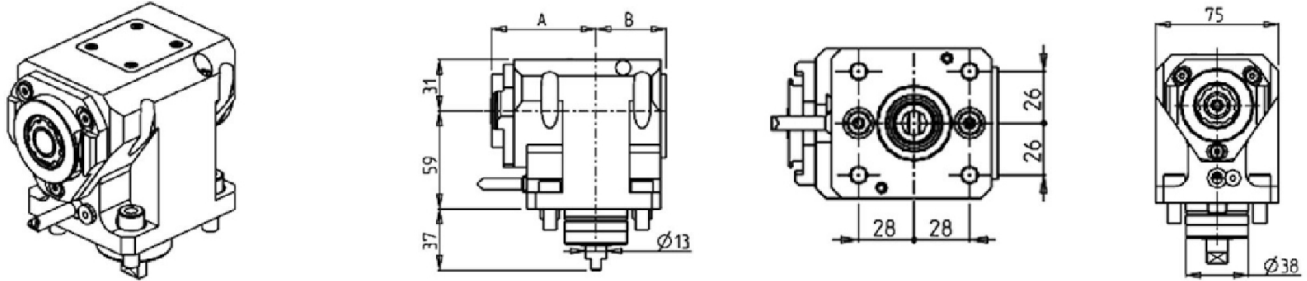


PartNumber	Description	Spindle	I	RPM	Reversible	Ext Cool
MYA0340111	Radial Single Side Twin ER11	ER11	1:1	6000	X	X

BNA 34-42 S/C/DHY/MSY/GTY - BNC-42C - ANX-42SYY

DRIVEN

AXIAL DRIVEN TOOL H=59mm



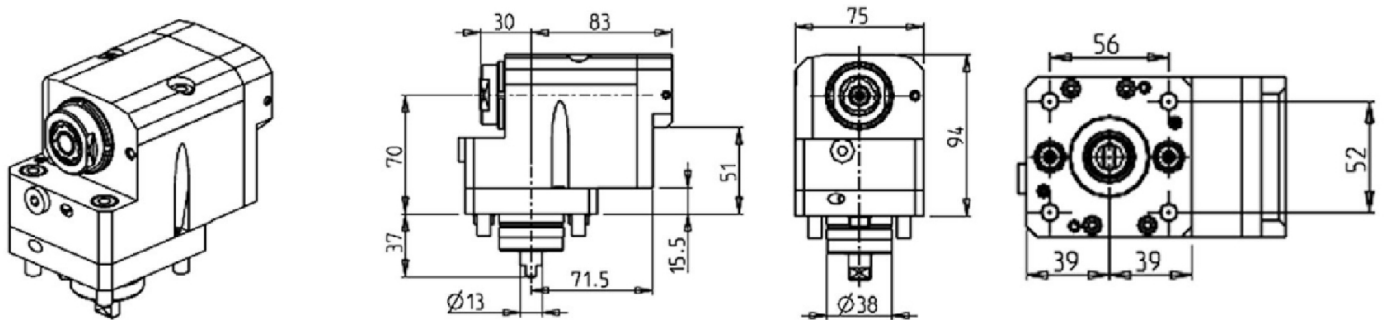
PartNumber	Description	Spindle	I	RPM	Reversible	Cool Thru	Ext Cool	A	B
MYA0230320	Axial Driven Tool ERA20	ERA20	1:1	6000	X		X	63.5	42.5
MYA0230420	Axial Driven Tool ERA20 Cool Thru*	ERA20	1:1	6000	X	X	X	63.5	52.5

* Coolant Thru tools are designed for 1000 psi.
They require 5 Micron Filtration and **CANNOT** be run dry.

AXIAL GEARED-UP 1:3 REAR-SET DRIVEN TOOL

This tool will not fit the following machine models:

BNC-42C



PartNumber	Description	Spindle	I	RPM	Reversible	Cool Thru	Ext Cool	B
MYA0320316	Axial Geared-Up 1:3 ERA16	ERA16	1:3	18000	X		X	70.5
MYA0320416	Axial Geared-Up 1:3 ERA16 Cool Thru*	ERA16	1:3	18000	X	X	X	83

* Coolant Thru tools are designed for 1000 psi.
They require 5 Micron Filtration and **CANNOT** be run dry.

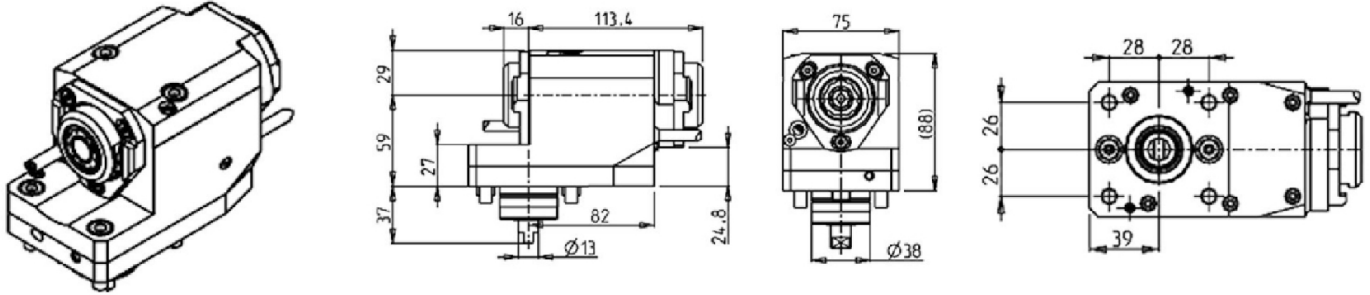
BNA 34-42 S/C/DHY/MSY/GTY - BNC-42C - ANX-42SYY

DRIVEN

AXIAL OPPOSITE FACE REAR-SET DRIVEN TOOL

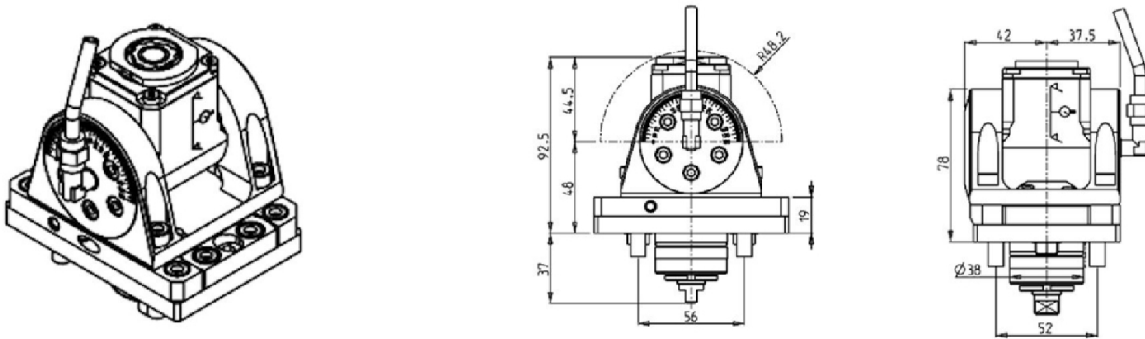
This tool will not fit the following machine models:

BNC-42C



PartNumber	Description	Spindle	I	RPM	Reversible	Ext Cool
MYA0250220	Axial Opposite Face ERA20+ERA20	ERA20+ERA20	1:1	6000	X	X

0-180° ADJUSTABLE ANGLE DRIVEN TOOL H=48mm



PartNumber	Description	Spindle	I	RPM	Reversible	Cool Thru	Ext Cool
MYA0240116	0-180° Adj. Angle ERA16	ERA16	1:1	6000	X		X
MYA0240216	0-180° Adj. Angle ERA16 Cool Thru*	ERA16	1:1	6000	X	X	X

* Coolant Thru tools are designed for 1000 psi.
They require 5 Micron Filtration and **CANNOT** be run dry.

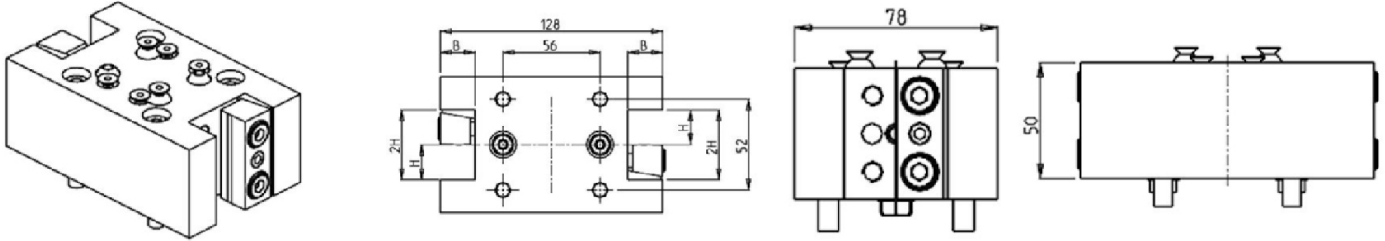
Note :

Wrenches are provided with the purchase of Specialty Toolholders

BNA 34-42 S/C/DHY/MSY/GTY - BNC-42C - ANX-42SYY

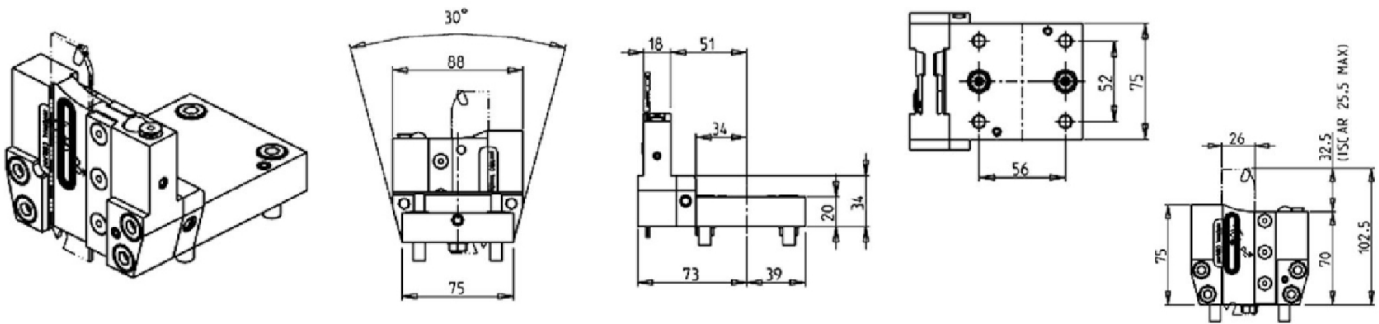
STATIC

RADIAL DOUBLE STATIC TOOL



PartNumber	Description	# of Tools	Reversible	Dimensions	B	H
MYA0282000	Radial Double Static Tool Ø20mm	2	X	mm	20	20

RADIAL BLADE HOLDER WITH INTERNAL COOLANT - BLADE KIT NOT INCLUDED



PartNumber	Description	# of Tools	Reversible	Ext Cool	Cool Thru
MYA0330226	Radial Blade Holder with Cool Thru	1	X	X	X
COOL THRU BLADEKIT	Blade Kit: 1 Blade, 10 Inserts				

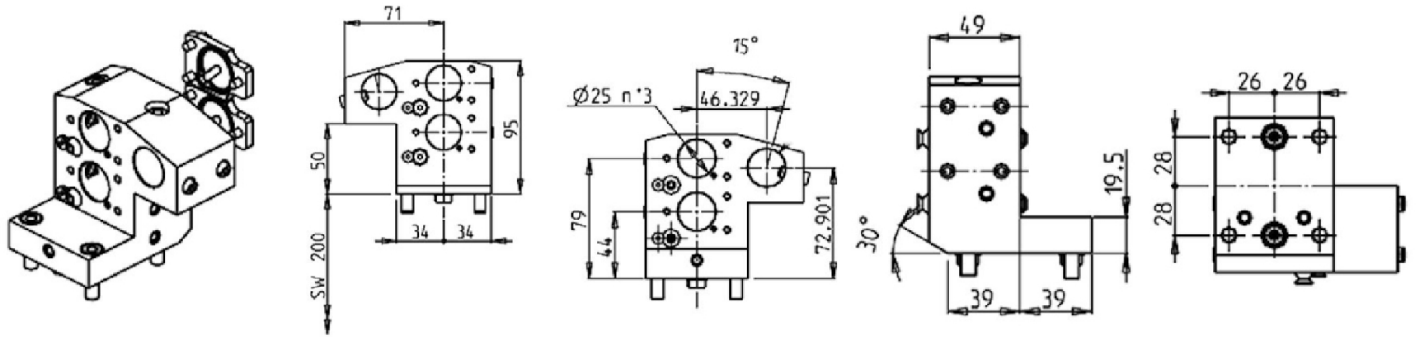
BNA 34-42 S/C/DHY/MSY/GTY - BNC-42C - ANX-42SYY

STATIC

AXIAL 3 POSITION BORING BAR HOLDER

This tool will not fit the following machine models:

ANX-42SYY

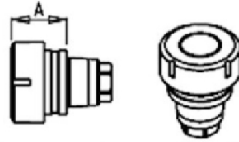
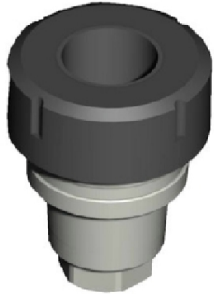


PartNumber	Description	# of Tools	Cool Thru	Ext Cool	Dimensions	D
MYA0272500	Axial 3 Position BBH Ø25mm	3	X	X	mm	25
KIT1000036	Plug for Ø25mm BBH to Make Cool Thru*					

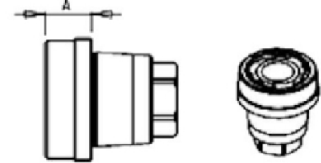
ACCESSORIES

DRIVEN

MTSK-40 ER ADAPTORS



Cod. MT	Mandrino Spindle	A
MTSK40A02	ER32	35.6
MTSK40A03	ER25	32.6
MTSK40A05	ER16	30.26
MTSK40A06	ER16	47.5
MTSK40A07	ER16	59
MTSK40A08	ER11	40
MTSK40A09	ER11	70



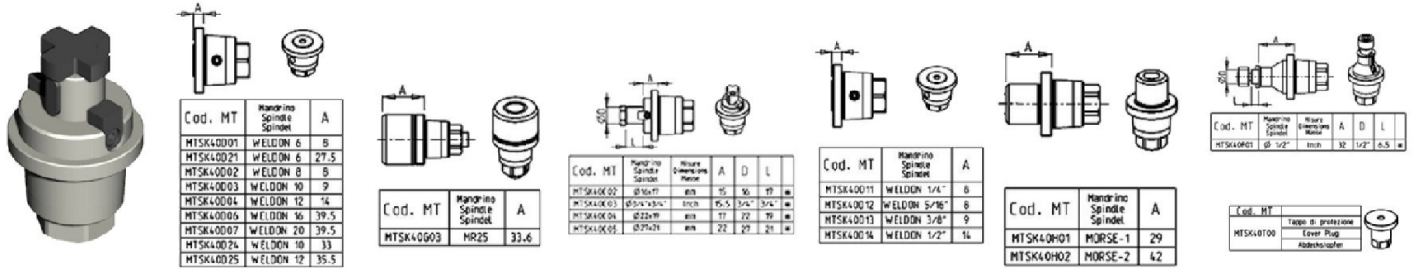
Cod. MT	Mandrino Spindle	A
MTSK40B02	ERA25	16
MTSK40B03	ERA20	14

PartNumber	Description	Spindle	A
MTSK40A08	MTSK-40 Adaptor ER11	ER11	40
MTSK40A09	MTSK-40 Adaptor ER11	ER11	70
MTSK40A05	MTSK-40 Adaptor ER16	ER16	30.26
MTSK40A06	MTSK-40 Adaptor ER16	ER16	47.5
MTSK40A07	MTSK-40 Adaptor ER16	ER16	59
MTSK40B03	MTSK-40 Adaptor ERA20	ERA20	14
MTSK40A03	MTSK-40 Adaptor ER25	ER25	32.6
MTSK40B02	MTSK-40 Adaptor ERA25	ERA25	16
MTSK40A02	MTSK-40 Adaptor ER32	ER32	35.6

ACCESSORIES

DRIVEN

MTSK-40 MILL ADAPTORS



PartNumber	Description	Spindle	Dimension	A	D	L
MTSK40C03	MTSK-40 Adaptor Mill 3/4"	3/4"x3/4"	Inch	15.5	3/4"	3/4"
MTSK40C02	MTSK-40 Adaptor Mill 16x17	16x17	mm	15	16	17
MTSK40C04	MTSK-40 Adaptor Mill 22x19	22x19	mm	17	22	19
MTSK40C05	MTSK-40 Adaptor Mill 27x21	27x21	mm	22	27	21
MTSK40F01	MTSK-40 Adaptor Mill 1/2"	1/2" Arbor	Inch	32	1/2"	6.5
MTSK40D11	MTSK-40 Adaptor Weldon 1/4"	Weldon 1/4"		8		
MTSK40D12	MTSK-40 Adaptor Weldon 5/16"	Weldon 5/16"		8		
MTSK40D13	MTSK-40 Adaptor Weldon 3/8"	Weldon 3/8"		9		
MTSK40D14	MTSK-40 Adaptor Weldon 1/2"	Weldon 1/2"		14		
MTSK40D01	MTSK-40 Adaptor Weldon 6	Weldon 6		8		
MTSK40D21	MTSK-40 Adaptor Weldon 6	Weldon 6		27.5		
MTSK40D02	MTSK-40 Adaptor Weldon 8	Weldon 8		8		
MTSK40D03	MTSK-40 Adaptor Weldon 10	Weldon 10		9		
MTSK40D24	MTSK-40 Adaptor Weldon 10	Weldon 10		33		
MTSK40D04	MTSK-40 Adaptor Weldon 12	Weldon 12		14		
MTSK40D25	MTSK-40 Adaptor Weldon 12	Weldon 12		35.5		
MTSK40D06	MTSK-40 Adaptor Weldon 16	Weldon 16		39.5		
MTSK40D07	MTSK-40 Adaptor Weldon 20	Weldon 20		39.5		
MTSK40H01	MTSK-40 Adaptor Morse 1	MORSE-1		29		
MTSK40H02	MTSK-40 Adaptor Morse 2	MORSE-2		42		
MTSK40G03	MTSK-40 Adaptor MR25	MR25		33.6		
MTSK40T00	MTSK-40 Cover Plug					

ER COLLETS

ER COLLET NUMBER	DESCRIPTION	MD LIST PRICE
ER20 SET	ER20 Collet Set (15 Collets)	\$ 330.00
ERX20 SET	ER20 Sealed Collet Set (13 Collets)	\$ 395.00
ER25 SET	ER25 Collet Set (19 Collets)	\$ 375.00
ERX25 SET	ER25 Sealed Collet Set (17 Collets)	\$ 475.00
ER32 SET	ER32 Collet Set (21 Collets)	\$ 425.00
ERX32 SET	ER32 Sealed Collet Set (21 Collets)	\$ 595.00
ER40 SET	ER40 Collet Set (29 Collets)	\$ 695.00
ERX40 SET	ER40 Sealed Collet Set (27 Collets)	\$ 850.00



Phone: (810) 632-4446 / Fax: (810) 632-4467

Table of Contents

Alphabetized Listing

STATIC

2, 8, 14-15, 20-21

(
(0-180) ADJUSTABLE ANGLE DRIVEN TOOL	5
(0-180) ADJUSTABLE ANGLE DRIVEN TOOL GEARED-UP 1:2	6
(0-180) ADJUSTABLE ANGLE DRIVEN TOOL GEARED-UP 1:2 H=60mm	11
(0-180) ADJUSTABLE ANGLE DRIVEN TOOL GEARED-UP 1:2 WITH DIGITAL DISPLAY	6
(0-180) ADJUSTABLE ANGLE DRIVEN TOOL GEARED-UP 1:2 WITH DIGITAL DISPLAY H=60mm	12
(0-180) ADJUSTABLE ANGLE DRIVEN TOOL H=60mm	10
(0-180) ADJUSTABLE ANGLE DRIVEN TOOL WITH DIGITAL DISPLAY	5
(0-180) ADJUSTABLE ANGLE DRIVEN TOOL WITH DIGITAL DISPLAY H=60mm	11

0	
0-180° ADJUSTABLE ANGLE DRIVEN TOOL H=48mm	19

A	
ABX-51/64 SY /TH2/TH3 - BND-51 C/S/SY - BNE-34/51 S/SY/MSY BNJ-34/42/51 S/SY - BNX-42/51 SY	3-8
ABX-51/64/80 SYY/THY	9-15
ACCESSORIES	22-23
AXIAL 3 POSITION BORING BAR HOLDER	21
AXIAL DOUBLE BORING BAR HOLDER	2
AXIAL DRIVEN TOOL H=59mm	18
AXIAL DRIVEN TOOL H=65mm	4
AXIAL DRIVEN TOOL H=75mm	9
AXIAL GEARED-UP 1:2 DRIVEN TOOL H=75mm	10
AXIAL GEARED-UP 1:3 REAR-SET DRIVEN TOOL	18
AXIAL GEARED-UP 1:5.625 DRIVEN TOOL	1
AXIAL OPPOSITE FACE REAR-SET DRIVEN TOOL	19
AXIAL OPPOSITE FACE TWIN DRIVEN TOOL H=65mm	4
AXIAL SINGLE REAR SET BORING BAR HOLDER H=85mm	14

B	
BNA 34-42 S/C/DHY/MSY/GTY - BNC-42C - ANX-42SYY	16-21
BNE64	1-2
BROACHING/SLOTTING DRIVEN TOOL 25mm STROKE H=85mm	7
BROACHING/SLOTTING DRIVEN TOOL 50mm STROKE H=85mm	7

D	
DRIVEN	1, 3-7, 9-13, 16-19, 22-23
DRIVEN GEAR HOBBER	12

M	
MTSK-40 ER ADAPTORS	22
MTSK-40 MILL ADAPTORS	23

Q	
QUICK CHANGE AXIAL MTSK DRIVEN TOOL FOR POWER SKIVING H=85mm	13
QUICK CHANGE RADIAL MTSK DRIVEN TOOL	3

R	
RADIAL BLADE HOLDER WITH INTERNAL COOLANT - BLADE KIT NOT INCLUDED	20
RADIAL DOUBLE BLADE HOLDER WITH BLADE KIT	8
RADIAL DOUBLE STATIC TOOL	20
RADIAL DRIVEN TOOL	3, 9, 16
RADIAL GEARED-UP 1:3 DRIVEN TOOL REDIRECTED IN Z BY 36mm	16
RADIAL GEARED-UP 1:5.625 DRIVEN TOOL	1
RADIAL SINGLE SIDE TWIN HEAD DRIVEN TOOL IN Y	17
RADIAL SINGLE SIDE TWIN STATIC TOOL CAPTO C3	15
RADIAL SINGLE STATIC TOOL	14
RADIAL SINGLE STATIC TOOL CAPTO C4	15

S	
----------	--

Table of Contents

Part Number Index

B		MYA0100225	3
BLADEKIT	8	MYA0100325	3
C		MYA0100425	3
COOL THRU BLADEKIT	20	MYA0100720	3
K		MYA0110125	4
KIT1000031	14	MYA0110225	4
KIT1000036	21	MYA0110325	4
M		MYA0110425	4
MTSK40A02	22	MYA0120120	10
MTSK40A03	22	MYA0120220	10
MTSK40A05	22	MYA0120316	11
MTSK40A06	22	MYA0120416	11
MTSK40A07	22	MYA0125120	11
MTSK40A08	22	MYA0125220	11
MTSK40A09	22	MYA0125316	12
MTSK40B02	22	MYA0125416	12
MTSK40B03	22	MYA0131100	12
MTSK40C02	23	MYA0132100	12
MTSK40C03	23	MYA0140332	9
MTSK40C04	23	MYA0140432	9
MTSK40C05	23	MYA0150125	9
MTSK40D01	23	MYA0150132	9
MTSK40D02	23	MYA0150140	9
MTSK40D03	23	MYA0150225	9
MTSK40D04	23	MYA0150232	9
MTSK40D06	23	MYA0150240	9
MTSK40D07	23	MYA0150325	9
MTSK40D11	23	MYA0150425	9
MTSK40D12	23	MYA0150516	9
MTSK40D13	23	MYA0150522	9
MTSK40D14	23	MYA0150527	9
MTSK40D21	23	MYA0160125	10
MTSK40D24	23	MYA0160225	10
MTSK40D25	23	MYA0172000	14
MTSK40F01	23	MYA0183200	14
MTSK40G03	23	MYA0194010	15
MTSK40H01	23	MYA0194010LC	15
MTSK40H02	23	MYA0203220	15
MTSK40T00	23	MYA0203220LC	15
MYA0010016	1	MYA0210100	13
MYA0020016	1	MYA0220120	16
MYA0032000	2	MYA0221420	16
MYA0050100	7	MYA0230320	18
MYA0050200	7	MYA0230420	18
MYA0080120	5	MYA0240116	19
MYA0080220	5	MYA0240216	19
MYA0080316	6	MYA0250220	19
MYA0080416	6	MYA0260132	8
MYA0085120	5	MYA0272500	21
MYA0085220	5	MYA0282000	20
MYA0085316	6	MYA0290325	4
MYA0085416	6	MYA0300140	3
MYA0100125	3	MYA0312316	16
MYA0100132	3	MYA0312416	16
		MYA0320316	18
		MYA0320416	18

Table of Contents

Part Number Index

MYA0330226
MYA0340111

20
17