

DRIVEN and STATIC TOOLING

For



Nakamura-Tome



10139 BERGIN RD.

HOWELL, MI 48843

PHONE : 877-91-TOOLS (810-632-4446)

FAX: 877-92-TOOLS (810-632-4467)

EMAIL: info@mdtooling.com

WEBSITE: www.mdtooling.com

Live Tooling



M. T. Marchetti, a major live tool manufacturer in northern Italy, is a leader in live tool technology. The formula is simple. Use only the best angular contact high-speed bearings available. Add to this an exacting tolerances for all ground shafts, gears and bearing pocket features. Next, develop a sealed system that **will not** allow any contamination from chips or coolant.

Top this all off with a superior design and you end up with a live tool that is more rigid, faster and will last longer. **We back this up with a 2-Year factory warranty.**

Our Live Tool Warranty

Our tooling will give years of service in the most demanding applications. The superior design and rugged construction has proven this over the last 12 years. The reliability of our tools allows us to provide a 2-year factory warranty, for non-wear components.

MD Tooling will repair any defective tool holders for a period of 2 years from the date of purchase.

Product Range

We have the largest range of live tooling available for most major machine tool manufactures.

Our available products include an extensive line of standard live tooling as well as specialty tool holders such as 0-180 adjustable angle tool holders, gear hobbors, and even worm gear generators. Our product range includes geared up holders to 60,000 RPM and are engineered for 1,000 PSI coolant through.

We are an industry leader in providing complete tooling solutions with hundreds of static tool options as well.

Technical Support

Here at MD Tooling we have a full technical support department with over 35 years of CNC experience.

Our highly qualified staff can help with part processing, tooling up a job from a blue print and even assist with part programming. Applications Engineers are always available by phone to answer any questions you may have about our tooling or any other CNC related issue.

Stock and Replenishment

MD Tooling maintains an extensive inventory of tooling in our warehouse in Michigan. Our current "fill" rate on orders is 93% from our stock in Michigan for same day shipping.

Should you require a non-stock item, our manufacturer, M.T. Marchetti also maintains a large inventory in Italy. Tooling can be obtained in as little as 3-5 business days.

Shipping

MD Tooling realizes that when you need tooling, often you can't wait until the next day. We process orders and ship from available stock right up until 4PM EST to make certain we get your tooling solutions to you as quickly as possible.

We regularly ship throughout the day via UPS, FedEx or any other carrier that a customer requests.



10139 Bergin Road
Howell, MI 48843
Phone: (810) 632-4446
Fax: (810) 632-4467
Email: info@mdtooling.com
Web: www.mdtooling.com

- Fast, Friendly, Reliable Service!
- Quality tooling at highly competitive pricing.
- 2-Year Warranty on all live tools.
- Extensive inventory. We currently ship over 93% of all orders same day.
- In-house repair services available.
- If a warranty tool needs to be returned for inspection, service or repair, loaner tools are available to keep your machine tool production up and running.
- More specialty tool holders than any other manufacturer.
- Custom tool holders available.
- All available tooling may not be shown in this catalog. If you can't find the holder you're looking for, please contact our office for assistance.



Table of Contents

Categorized Listing

WT100 - WY100 - WY100II 12 ST. - SUPER NTY3 - NTY3-100 12ST. - SUPER NTMX - SUPER NTMXL - MX-5 - NTJ100 - SC100 - SC100X² - MX100	1	STATIC	20
DRIVEN	1	RADIAL MULTIPLE STATIC TOOL	20
RADIAL REINFORCED DRIVEN TOOL	1	RADIAL MULTIPLE STATIC TOOL	21
RADIAL REINFORCED DRIVEN TOOL 8,000 RPM	1	RADIAL BLADE HOLDER WITH BLADE KIT AND INT. COOLANT	21
QUICK CHANGE RADIAL MTSK DRIVEN TOOL	2	AXIAL SINGLE STATIC TOOL	22
QUICK CHANGE RADIAL MTSK DRIVEN TOOL 8,000 RPM	2	AXIAL SINGLE BORING BAR HOLDER H=75mm	22
RADIAL DRIVEN TOOL RE-DIRECTED IN Z BY 36mm	3	AXIAL SINGLE BORING BAR HOLDER H=65mm	23
RADIAL GEARED-DOWN 2:1 DRIVEN TOOL RE-DIRECTED IN Z BY 43mm	3	AXIAL SINGLE BORING BAR HOLDER H=92.5mm	23
RADIAL GEARED-DOWN 2:1 DRIVEN TOOL RE-DIRECTED IN Z BY 60mm	4	AXIAL SINGLE BORING BAR HOLDER H=75mm	24
RADIAL GEARED-DOWN 3:1 DRIVEN TOOL RE-DIRECTED IN Z BY 60mm	4	AXIAL SINGLE BORING BAR HOLDER H=92.5mm	24
RADIAL GEARED-UP 1:2 DRIVEN TOOL RE-DIRECTED IN Z BY 36	5	AXIAL SINGLE BORING BAR HOLDER H=60mm	25
RADIAL SINGLE-SIDE TWIN HEAD DRIVEN TOOL IN Y	5	AXIAL SINGLE BORING BAR HOLDER H=70mm	25
AXIAL DRIVEN TOOL H=60mm	6	AXIAL DOUBLE BORING BAR HOLDER 2 POSITIONS IN Y H=65	26
AXIAL DRIVEN TOOL 8,000 RPM H=60mm	7	AXIAL 2 POSITION UPRIGHT BORING BAR HOLDER	26
QUICK CHANGE AXIAL MTSK DRIVEN TOOL H=60mm	7	AXIAL 2 POSITION UPRIGHT BORING BAR HOLDER	27
QUICK CHANGE AXIAL MTSK DRIVEN TOOL 8,000 RPM H=60mm	8	AXIAL 2 POSITION UPRIGHT BORING BAR HOLDER	27
AXIAL DRIVEN TOOL H=75mm	8	AXIAL 3 POSITION UPRIGHT BORING BAR HOLDER	28
AXIAL DRIVEN TOOL 8,000 RPM H=75mm	9	AXIAL 3 POSITION UPRIGHT BORING BAR HOLDER	28
QUICK CHANGE AXIAL MTSK DRIVEN TOOL H=75mm	9	CAPTO STATIC	29
QUICK CHANGE AXIAL MTSK DRIVEN TOOL 8,000 RPM H=75mm	10	RADIAL MUTLIPE STATIC TOOL CAPTO C3	29
AXIAL GEARED-UP 1:2 DRIVEN TOOL	11	AXIAL MULTIPLE STATIC TOOL CAPTO C3	29
AXIAL GEARED-UP 1:3 REAR-SET DRIVEN TOOL H=65mm	12	WT150/250 - WT150II/250II - WTW150 - WTS150 SUPER NTM3 - SUPER NTJ - SUPER NTJX SC150/200/250 - SC300II 16 ST. - JX250 - NTY3 150/250 TW10M/MY/MM/MMY/MMYY TW20M/MY/MM/MMY/MMYY 16 ST. - WY150/250 AS200 15/12 ST.	30
AXIAL DRIVEN TOOL FOR INTERNAL POLYGON-MAKING H=60mm	12	DRIVEN	30
AXIAL DRIVEN TOOL FOR INTERNAL POLYGON-MAKING H=75mm	13	RADIAL DRIVEN TOOL	30
AXIAL OPPOSITE FACE TWIN DRIVEN TOOL H=60mm	13	QUICK CHANGE RADIAL MTSK DRIVEN TOOL	31
AXIAL OPPOSITE FACE TWIN DRIVEN TOOL H=75mm	14	RADIAL GEARED-UP 1:3 DRIVEN TOOL	31
AXIAL SINGLE SIDE TWIN HEAD DRIVEN TOOL IN Y H=60mm	14	RADIAL SINGLE-SIDE TWIN HEAD DRIVEN TOOL IN Y	32
AXIAL SINGLE SIDE TWIN HEAD DRIVEN TOOL IN Y H=75mm	15	RADIAL ±30° ADJUSTABLE ANGLE DRIVEN TOOL REDIRECTED BY 30mm	32
0-180° ADJUSTABLE ANGLE DRIVEN TOOL H=35mm	16	AXIAL DRIVEN TOOL H=55mm	33
0-180° ADJUSTABLE ANGLE DRIVEN TOOL H=55mm	16	AXIAL DRIVEN TOOL H=65mm	34
DRIVEN GEAR HOBBER	17	QUICK CHANGE AXIAL MTSK DRIVEN TOOL H=65mm	34
BROACHING/SLOTING DRIVEN TOOL 25mm STROKE H=65mm	17	AXIAL DRIVEN TOOL H=75mm	35
DRIVEN TOOLHOLDER FOR SLIDING STEADY REST (SIZE 1)	18	AXIAL DRIVEN TOOL H=75mm	36
STATIC	19	QUICK CHANGE AXIAL MTSK DRIVEN TOOL H=75mm	36
RADIAL SINGLE STATIC TOOL	19	AXIAL REINFORCED DRIVEN TOOL H=55mm	37
RADIAL SINGLE STATIC TOOL	19	QUICK CHANGE AXIAL MTSK REINFORCED DRIVEN TOOL H=55	37
RADIAL SINGLE SIDE TWIN STATIC TOOL	19	AXIAL REINFORCED DRIVEN TOOL H=75mm	38
RADIAL DOUBLE STATIC TOOL	20	QUICK CHANGE AXIAL MTSK REINFORCED DRIVEN TOOL H=75	38
RADIAL DOUBLE SIDE TWIN STATIC TOOL	20		

Table of Contents

Categorized Listing

WT150/250 - WT150II/250II - WTW150 - WTS150	39	STATIC	54
SUPER NTM3 - SUPER NTJ - SUPER NTJX		RADIAL SINGLE STATIC TOOL	54
SC150/200/250 - SC300II 16 ST. - JX250 - NTY3 150/250		RADIAL SINGLE SIDE TWIN STATIC TOOL	55
TW10M/MY/MM/MMY/MMYY		RADIAL SINGLE SIDE TWIN STATIC TOOL	55
TW20M/MY/MM/MMY/MMYY 16 ST. - WY150/250		RADIAL MULTIPLE STATIC TOOL	56
AS200 15/12 ST.		RADIAL DOUBLE STATIC TOOL	56
DRIVEN	39	RADIAL MULTIPLE STATIC TOOL	57
AXIAL REAR-SET DRIVEN TOOL H=75mm	39	RADIAL MULTIPLE STATIC TOOL	57
QUICK CHANGE AXIAL MTSK REAR-SET DRIVEN TOOL H=75	39	RADIAL BLADE HOLDER WITH BLADE KIT	58
AXIAL GEARED-UP 1:3 DRIVEN TOOL H=55mm	40	RADIAL BLADE HOLDER WITH INTERNAL COOLANT -	
AXIAL GEARED-UP 1:3 DRIVEN TOOL H=75mm	40	BLADE KIT NOT INCLUDED	58
AXIAL GEARED-UP 1:3 REAR-SET DRIVEN TOOL H=75mm	41	AXIAL SINGLE STATIC TOOL	59
AXIAL DRIVEN TOOL FOR INTERNAL POLYGON		AXIAL SINGLE STATIC TOOL	59
MAKING H=55mm	41	AXIAL SINGLE BORING BAR HOLDER H=55mm	60
AXIAL DRIVEN TOOL FOR INTERNAL POLYGON		AXIAL SINGLE BORING BAR HOLDER H=55mm SPLIT	60
MAKING H=75mm	42	AXIAL SINGLE BORING BAR HOLDLER H=75mm	61
AXIAL OPPOSITE FACE DRIVEN TOOL H=55mm	42	AXIAL SINGLE BORING BAR HOLDER H=75mm SPLIT	61
AXIAL OPPOSITE FACE TWIN DRIVEN TOOL H=65mm	43	AXIAL SINGLE BORING BAR HOLDER H=80mm	62
AXIAL OPPOSITE FACE DRIVEN TOOL H=75mm	43	AXIAL SINGLE BORING BAR HOLDER H=55mm	62
AXIAL OPPOSITE FACE TWIN DRIVEN TOOL H=75mm	44	AXIAL SINGLE BORING BAR HOLDER H=75mm	63
AXIAL SINGLE-SIDE TWIN HEAD DRIVEN TOOL IN Y H=55	44	AXIAL SINGLE REAR SET BORING BAR HOLDER H=75mm	63
AXIAL SINGLE-SIDE TWIN HEAD DRIVEN TOOL IN Y H=75	45	AXIAL SINGLE REAR SET BORING BAR HOLDER H=75mm	64
AXIAL SINGLE SIDE TWIN HEAD IN Y FOR INTERNAL		AXIAL 2 POSITION BORING BAR HOLDER	64
POLYGON-MAKING H=75mm	45	AXIAL DOUBLE BORING BAR HOLDER	65
0-180 ADJUSTABLE ANGLE DRIVEN TOOL	46	AXIAL DOUBLE BORING BAR HOLDER	65
0-180 ADJUSTABLE ANGLE DRIVEN TOOL WITH DIGITAL		AXIAL 3 POSITION BORING BAR HOLDER	66
DISPLAY	47	AXIAL 3 POSITION BORING BAR HOLDER	66
0-180 ADJUSTABLE ANGLE DRIVEN TOOL	47	AXIAL 3 POSITION BORING BAR HOLDER	67
0-180 ADJUSTABLE ANGLE DRIVEN TOOL WITH DIGITAL		AXIAL 3 POSITION BORING BAR HOLDER	67
DISPLAY	48	AXIAL DOUBLE COLLET CHUCK HOLDER H=75mm	68
0-180 ADJUSTABLE ANGLE DRIVEN TOOL GEARED UP 1:2	49	CAPTO STATIC	69
0-180 ADJUSTABLE ANGLE DRIVEN TOOL GEARED UP 1:2		RADIAL SINGLE REAR SET STATIC TOOL CAPTO C4	69
WITH DIGITAL DISPLAY	50	AXIAL REAR SET BORING STATIC TOOL CAPTO C4	69
GEAR HOBBER DRIVEN TOOL	50	WT300 - SC300 - SC300II 12 ST. - TMC200/300M	70
RADIAL DRIVEN GEAR HOBBER	51	SUPER NTX - SUPER NTXL -	
QUICK CHANGE AXIAL MTSK DRIVEN TOOL FOR POWER		TW20M/MY/MM/MMY/MMYY 12 ST. -	
SKIVING H=85mm	51	TW30M/MY/MM/MMY/MMYY 16 ST.	
BROACHING/SLOTING DRIVEN TOOL 50mm STROKE H=66	52	DRIVEN	70
BROACHING/SLOTING DRIVEN TOOL 25mm STROKE H=66	52	RADIAL DRIVEN TOOL	70
BROACHING/SLOTING DRIVEN TOOL 50mm STROKE H=76	52	RADIAL REINFORCED DRIVEN TOOL	70
BROACHING/SLOTING DRIVEN TOOL 25mm STROKE H=76	53	RADIAL DRIVEN TOOL REDIRECTED IN Z BY 60mm	71
DRIVEN TOOL HOLDER FOR SLIDING STEADY REST	53	RADIAL DRIVEN TOOL GEARED UP 1:2 REDIRECTED IN	
STATIC	54	Z BY 45mm	71
RADIAL SINGLE STATIC TOOL	54	RADIAL GEARED-UP 1:3 DRIVEN TOOL	72

Table of Contents

Categorized Listing

WT300 - SC300 - SC300II 12 ST. - TMC200/300M	72	DRIVEN	89
SUPER NTX - SUPER NTXL -		RADIAL DRIVEN TOOL GEARED-UP 1:2 REDIRECTED	
TW20M/MY/MM/MMY/MMYY 12 ST. -		IN Z BY 68mm	89
TW30M/MY/MM/MMY/MMYY 16 ST.		RADIAL GEARED-UP 1:2 SINGLE SIDE TWIN HEAD	
DRIVEN	72	DRIVEN TOOL IN Y	89
RADIAL SINGLE SIDE TWIN HEAD DRIVEN TOOL IN Y	72	AXIAL DRIVEN TOOL H=55mm	90
AXIAL DRIVEN TOOL H=65mm	73	AXIAL DRIVEN TOOL H=65mm	91
AXIAL OPPOSITE FACE TWIN DRIVEN TOOL H=65mm	73	AXIAL DRIVEN TOOL H=65mm	92
AXIAL SINGLE SIDE TWIN HEAD DRIVEN TOOL IN Y	74	QUICK CHANGE AXIAL MTSK DRIVEN TOOL H=65mm	92
0-180 ADJUSTABLE ANGLE DRIVEN TOOL	74	AXIAL GEARED-UP 1:2 DRIVEN TOOL	93
0-180 ADJUSTABLE ANGLE DRIVEN TOOL WITH DIGITAL DISPLAY	75	AXIAL OPPOSITE FACE DRIVEN TOOL H=65mm	93
0-180 ADJUSTABLE ANGLE DRIVEN TOOL	76	0-180 ADJUSTABLE ANGLE DRIVEN TOOL	94
0-180 ADJUSTABLE ANGLE DRIVEN TOOL WITH DIGITAL DISPLAY	76	0-180 ADJUSTABLE ANGLE DRIVEN TOOL WITH DIGITAL DISPLAY	94
0-180 ADJUSTABLE ANGLE DRIVEN TOOL GEARED-UP 1:2	77	0-180 ADJUSTABLE ANGLE DRIVEN TOOL	95
0-180 ADJUSTABLE ANGLE DRIVEN TOOL GEARED-UP 1:2 WITH DIGITAL DISPLAY	77	GEARED UP 1:2	95
DRIVEN GEAR HOBBER	78	0-180 ADJUSTABLE ANGLE DRIVEN TOOL GEARED UP 1:2 WITH DIGITAL DISPLAY	95
QUICK CHANGE AXIAL MTSK DRIVEN TOOL FOR POWER SKIVING H=90mm	78	DRIVEN GEAR HOBBER	96
BROACHING/SLOTING DRIVEN TOOL 50mm STROKE	79	QUICK CHANGE AXIAL MTSK DRIVEN TOOL FOR POWER SKIVING H=90mm	96
BROACHING/SLOTING DRIVEN TOOL 25mm STROKE	79	BROACHING/SLOTING DRIVEN TOOL 50mm STROKE	97
DRIVEN TOOL HOLDER FOR SLIDING STEADY REST	80	BROACHING/SLOTING DRIVEN TOOL 25mm STROKE	97
STATIC	81	DRIVEN TOOL HOLDER FOR SLIDING STEADY REST	97
RADIAL SINGLE STATIC TOOL	81	STATIC	98
RADIAL DOUBLE STATIC TOOL	81	RADIAL SINGLE STATIC TOOL	98
RADIAL MULTIPLE STATIC TOOL	82	RADIAL SINGLE SIDE TWIN STATIC TOOL	98
RADIAL BLADE HOLDER WITH BLADE KIT	82	RADIAL DOUBLE STATIC TOOL	99
AXIAL SINGLE STATIC TOOL	83	RADIAL MULTIPLE STATIC TOOL	99
AXIAL SINGLE BORING BAR HOLDER H=90mm	83	RADIAL BLADE HOLDER WITH BLADE KIT	100
AXIAL SINGLE BORING BAR HOLDER H=90mm	84	RADIAL BLADE HOLDER WITH INTERNAL COOLANT - BLADE KIT NOT INCLUDED	100
AXIAL 2 POSITION BORING BAR HOLDER	84	AXIAL SINGLE STATIC TOOL	101
TAILSTOCK FOR SUBSPINDLE	85	AXIAL SINGLE BORING BAR HOLDER H=75mm	101
CAPTO DRIVEN	86	AXIAL SINGLE BORING BAR HOLDER H=75mm	102
RADIAL DRIVEN TOOL CAPTO C4	86	AXIAL 2 POSITION BORING BAR HOLDER	102
AXIAL DRIVEN TOOL CAPTO C4	86	AXIAL 3 POSITION BORING BAR HOLDER	103
CAPTO STATIC	87	AXIAL 3+3 POSITION BORING BAR HOLDER	103
AXIAL REAR-SET BORING SINGLE STATIC TOOL CAPTO C4	87	CAPTO STATIC	104
SUPERMILL WT150/WT150II / WY250 / SC200L - SUPER NTY3 JUMBO	88	AXIAL SINGLE STATIC TOOL CAPTO C4	104
DRIVEN	88	AXIAL REAR SET BORING SINGLE STATIC CAPTO C4	104
RADIAL DRIVEN TOOL	88	SC-450 - STS-40 - STW-40 - TW30 12ST.	105
RADIAL DRIVEN TOOL GEARED-DOWN 2:1 REDIRECTED	88	DRIVEN	105
		RADIAL DRIVEN TOOL	105

Table of Contents

Categorized Listing

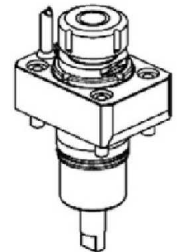
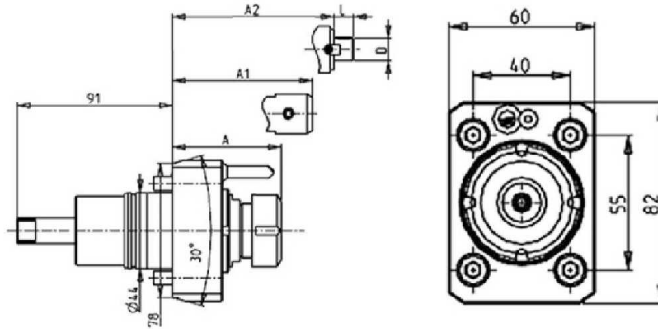
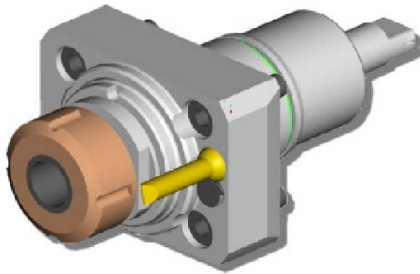
SC-450 - STS-40 - STW-40 - TW30 12ST.	105
DRIVEN	105
AXIAL DRIVEN TOOL H=90mm	105
STATIC	106
RADIAL SINGLE STATIC TOOL	106
AXIAL SINGLE BORING BAR HOLDER H=105mm	106
AXIAL SINGLE BORING BAR HOLDER H=105mm	106
CAPTO DRIVEN	107
AXIAL DRIVEN TOOL CAPTO H=100mm	107
ACCESSORIES	108
DRIVEN	108
MTSK-32 ER ADAPTORS	108
MTSK-32 MILL ADAPTORS	109
MTSK-40 ER ADAPTORS	110
MTSK-40 MILL ADAPTORS	111
MTSK-50 ER ADAPTORS	112
MTSK-50 MILL ADAPTORS	113

W T100 - W Y100 - W Y100II 12 ST. - SUPER NTY3 - NTY3-100 12ST. - SUPER NTMX - SUPER NTMXL - MX-5 - NTJ100 - SC100 - SC100X² - MX100

DRIVEN

RADIAL REINFORCED DRIVEN TOOL

WT100 - WY100 - WY100II 12 ST. - SUPER NTY3 - NTY3-100 12 ST. - SUPER NTMX - SUPER NTMXL - MX-5 - NTJ100 - SC100 - SC100X² - MX100

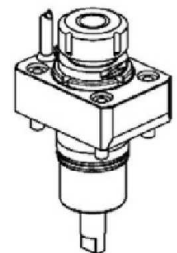
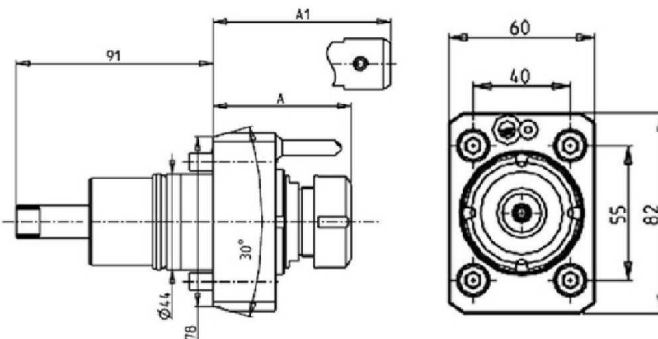
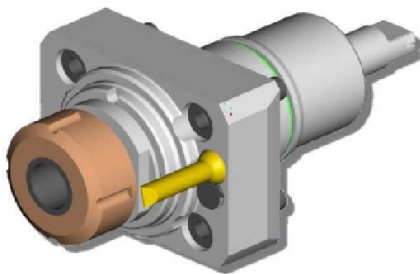


PartNumber	Description	Spindle	I	RPM	Cool Thru	Ext Cool	A	A1	A2	D	L
NKM1790320	Radial ERA20	ERA20	1:1	6000		X	50.7				
NKM1790420	Radial ERA20 Cool Thru*	ERA20	1:1	6000	X	X	58				
NKM1790125	Radial ER25	ER25	1:1	6000		X	62.66				
NKM1790225	Radial ER25 Cool Thru*	ER25	1:1	6000	X	X	69.66				
NKM1790516	Radial Mill Head Ø16x17mm	Ø16x17	1:1	6000		X			42.5	16	17
NKM0690316	Radial Weldon 16	WELDON 16	1:1	6000		X		50			

* Coolant Thru tools are designed for 1000 psi. They require 5 Micron Filtration and **CANNOT** be run dry.

RADIAL REINFORCED DRIVEN TOOL 8,000 RPM

WT100 - WY100 - WY100II 12 ST. - SUPER NTY3 - NTY3-100 12 ST. - SUPER NTMX - SUPER NTMXL - MX-5 - NTJ100 - SC100 - SC100X² - MX100



PartNumber	Description	Spindle	I	RPM	Ext Cool	A	A1
NKM1670520	Radial Reinforced ERA20	ERA20	1:1	8000	X	43	
NKM1810125	Radial Reinforced ER25	ER25	1:1	8000	X	62.66	
NKM1670316	Radial Reinforced Weldon 16	WELDON 16	1:1	8000	X		50

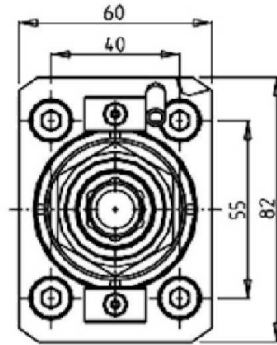
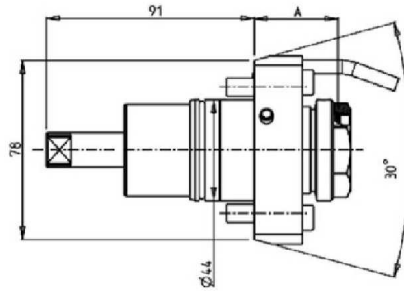
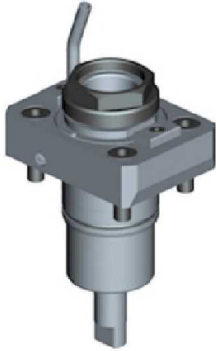
W T100 - W Y100 - W Y100II 12 ST. - SUPER NTY3 - NTY3-100 12ST. - SUPER NTMX - SUPER NTMXL - MX-5 - NTJ100 - SC100 - SC100X² - MX100

DRIVEN

QUICK CHANGE RADIAL MTSK DRIVEN TOOL

WT100 - WY100 - WY100II 12 ST. - SUPER NTY3 - NTY3-100 12 ST. - SUPER NTMX - SUPER NTMXL - MX-5 - NTJ100 - SC100 - SC100X² - MX100

See Accessories for MTSK Adaptors



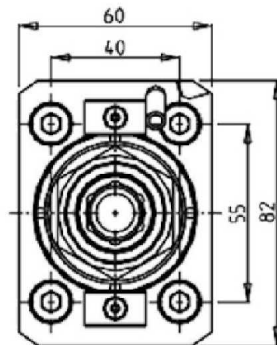
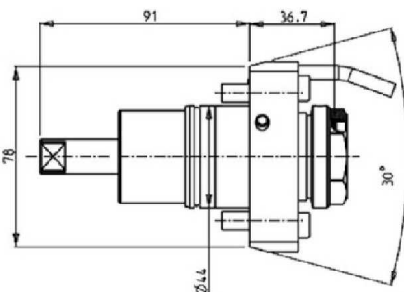
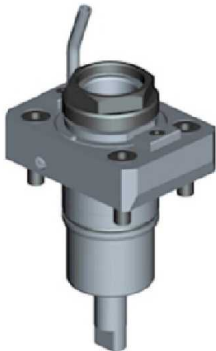
PartNumber	Description	Spindle	I	RPM	Cool Thru	Ext Cool	A
NKM1190132	Radial MTSK-32 Driven Tool	MTSK-32	1:1	6000		X	36.7
NKM1190232	Radial MTSK-32 Driven Tool Cool Thru*	MTSK-32	1:1	6000	X		44.7

*Coolant Thru tools are designed for 400 psi MAX.
They require 5 Micron Filtration and **CANNOT** be run dry.

QUICK CHANGE RADIAL MTSK DRIVEN TOOL 8,000 RPM

WT100 - WY100 - WY100II 12 ST. - SUPER NTY3 - NTY3-100 12 ST. - SUPER NTMX - SUPER NTMXL - MX-5 - NTJ100 - SC100 - SC100X² - MX100

See Accessories for MTSK Adaptors



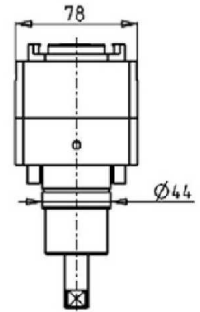
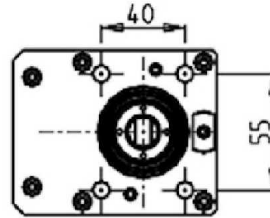
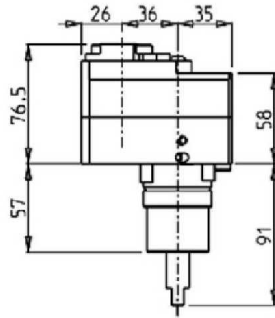
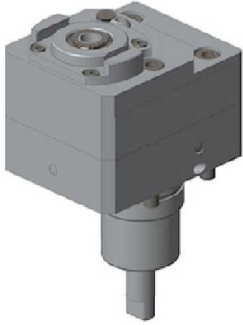
PartNumber	Description	Spindle	I	RPM	Ext Cool
NKM1750132	Radial MTSK-32 Driven Tool 8,000 RPM	MTSK-32	1:1	8000	X

W T100 - W Y100 - W Y100II 12 ST. - SUPER NTY3 - NTY3-100 12ST. - SUPER NTMX - SUPER NTMXL - MX-5 - NTJ100 - SC100 - SC100X² - MX100

DRIVEN

RADIAL DRIVEN TOOL RE-DIRECTED IN Z BY 36mm

WT100 - WY100 - WY100II 12 ST. - SUPER NTY3 - NTY3-100 12 ST. - SUPER NTMX - SUPER NTMXL - MX-5 - NTJ100 - SC100 - SC100X² - MX100

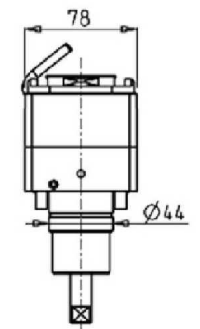
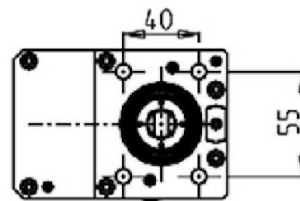
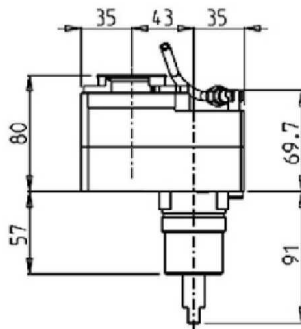


PartNumber	Description	Spindle	I	RPM	Reversible	Cool Thru	Ext Cool
NKM1690316	Radial Redirected ERA16	ERA16	1:1	6000	X		X
NKM1690416	Radial Redirected ERA16 Cool Thru*	ERA16	1:1	6000	X	X	X

* Coolant Thru tools are designed for 1000 psi.
They require 5 Micron Filtration and **CANNOT** be run dry.

RADIAL GEARED-DOWN 2:1 DRIVEN TOOL RE-DIRECTED IN Z BY 43mm

WT100 - WY100 - WY100II 12 ST. - SUPER NTY3 - NTY3-100 12 ST. - SUPER NTMX - SUPER NTMXL - MX-5 - NTJ100 - SC100 - SC100X² - MX100



PartNumber	Description	Spindle	I	RPM	Reversible	Cool Thru	Ext Cool
NKM1580325	Radial Redirected Geared-Down 2:1 ERA25	ERA25	2:1	3000	X		X
NKM1580425	Radial Redirected Geared-Down 2:1 ERA25 Cool Thru*	ERA25	2:1	3000	X	X	X

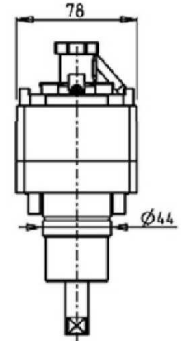
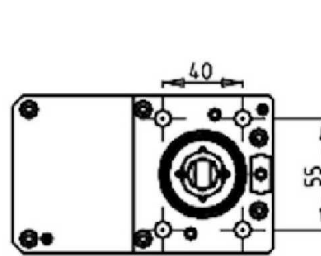
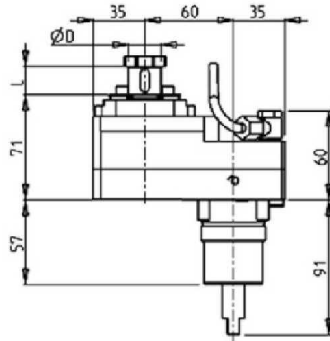
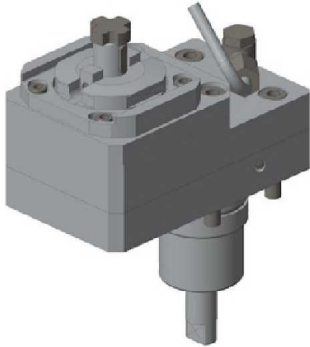
* Coolant Thru tools are designed for 1000 psi.
They require 5 Micron Filtration and **CANNOT** be run dry.

W T100 - W Y100 - W Y100II 12 ST. - SUPER NTY3 - NTY3-100 12ST. - SUPER NTMX - SUPER NTMXL - MX-5 - NTJ100 - SC100 - SC100X² - MX100

DRIVEN

RADIAL GEARED-DOWN 2:1 DRIVEN TOOL RE-DIRECTED IN Z BY 60mm

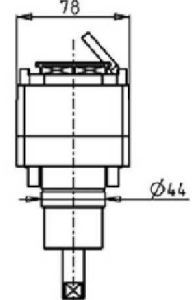
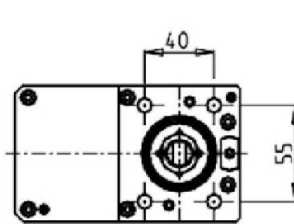
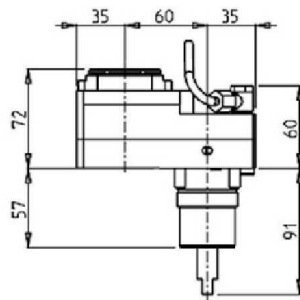
WT100 - WY100 - WY100II 12 ST. - SUPER NTY3 - NTY3-100 12 ST. - SUPER NTMX - SUPER NTMXL - MX-5 - NTJ100 - SC100 - SC100X² - MX100



PartNumber	Description	Spindle	I	RPM	Reversible	Ext Cool	D	L
NKM1641617	Radial Redirected Geared-Down 2:1 16x17mm	Ø16x17	2:1	3000	X	X	16	17
NKM1642219	Radial Redirected Geared-Down 2:1 22x19mm	Ø22x19	2:1	3000	X	X	22	19

RADIAL GEARED-DOWN 3:1 DRIVEN TOOL RE-DIRECTED IN Z BY 60mm

WT100 - WY100 - WY100II 12 ST. - SUPER NTY3 - NTY3-100 12 ST. - SUPER NTMX - SUPER NTMXL - MX-5 - NTJ100 - SC100 - SC100X² - MX100



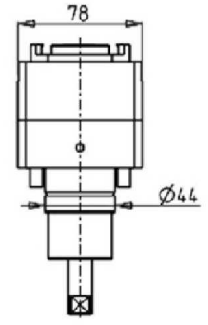
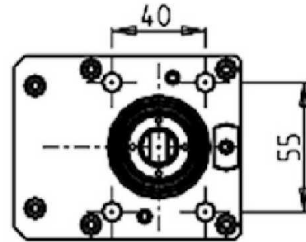
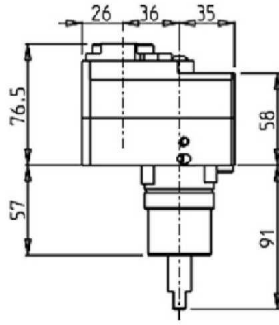
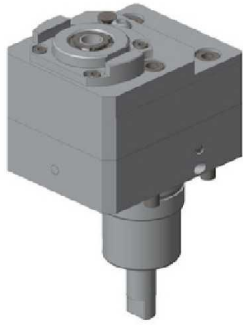
PartNumber	Description	Spindle	I	RPM	Reversible	Ext Cool
NKM1530325	Radial Redirected Geared-Down 3:1 ERA25	ERA25	3:1	2000	X	X

W T100 - W Y100 - W Y100II 12 ST. - SUPER NTY3 - NTY3-100 12ST. - SUPER NTMX - SUPER NTMXL - MX-5 - NTJ100 - SC100 - SC100X² - MX100

DRIVEN

RADIAL GEARED-UP 1:2 DRIVEN TOOL RE-DIRECTED IN Z BY 36mm

WT100 - WY100 - WY100II 12 ST. - SUPER NTY3 - NTY3-100 12 ST. - SUPER NTMX - SUPER NTMXL - MX-5 - NTJ100 - SC100 - SC100X² - MX100

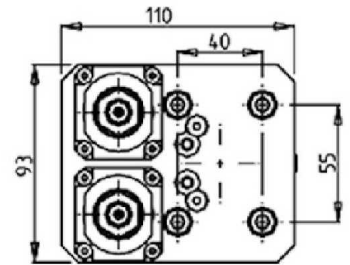
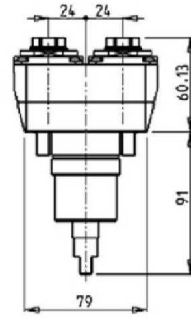
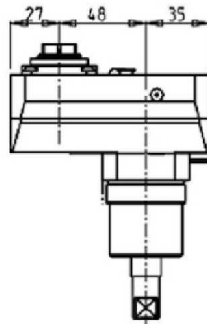
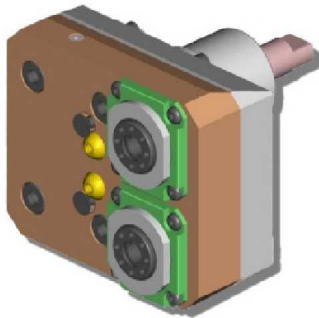


PartNumber	Description	Spindle	I	RPM	Reversible	Cool Thru	Ext Cool
NKM1691316	Radial Redirected Geared-Up 1:2 ERA16	ERA16	1:2	12000	X		X
NKM1691416	Radial Redirected Geared-Up 1:2 ERA16 Cool Thru*	ERA16	1:2	12000	X	X	X

* Coolant Thru tools are designed for 1000 psi. They require 5 Micron Filtration and **CANNOT** be run dry.

RADIAL SINGLE-SIDE TWIN HEAD DRIVEN TOOL IN Y

WT100 - WY100 - WY100II 12 ST. - SUPER NTY3 - NTY3-100 12 ST. - NTJ100 - SC100 - SC100X²



PartNumber	Description	Spindle	I	RPM	Ext Cool
NKM0190216	Radial ERA16 Single-Side Twin Head	ERA16	1:1	6000	X

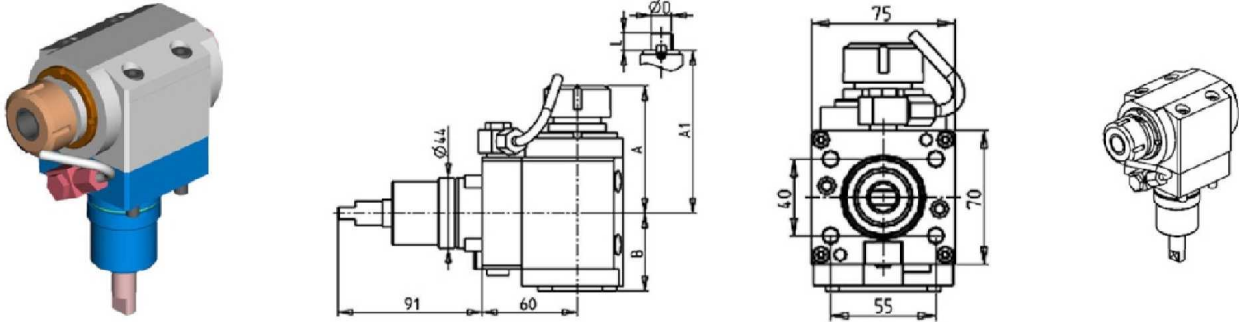
W T100 - W Y100 - W Y100II 12 ST. - SUPER NTY3 - NTY3-100 12ST. - SUPER NTMX - SUPER NTMXL - MX-5 - NTJ100 - SC100 - SC100X² - MX100

DRIVEN

AXIAL DRIVEN TOOL H=60mm

WT100 - WY100 - WY100II 12 ST. - SUPER NTY3 - NTY3-100 12 ST. - NTJ100 - SC100 - SC100X²

NTJ100 CAN ONLY BE USED ON THE UPPER TURRET



PartNumber	Description	Spindle	Reversible	I	RPM	Cool Thru	Ext Cool	A	A1	B	D	L	
NKM0240520	Axial ERA20	ERA20	X	1:1	6000		X	69.23		49			
NKM0240620	Axial ERA20 Cool Thru*	ERA20	X	1:1	6000	X	X	69.23		59			
NKM0240125	Axial ER25	ER25	X	1:1	6000		X	80.16		49			
NKM0240225	Axial ER25 Cool Thru*	ER25	X	1:1	6000	X	X	80.16		59			
NKM0241617	Axial Mill Head 16x17	16x17	X	1:1	6000		X			63	49	16	17
NKM0242219	Axial Mill Head 22x19	22x19	X	1:1	6000		X			63	49	22	19

* Coolant Thru tools are designed for 1000 psi.
They require 5 Micron Filtration and **CANNOT** be run dry.

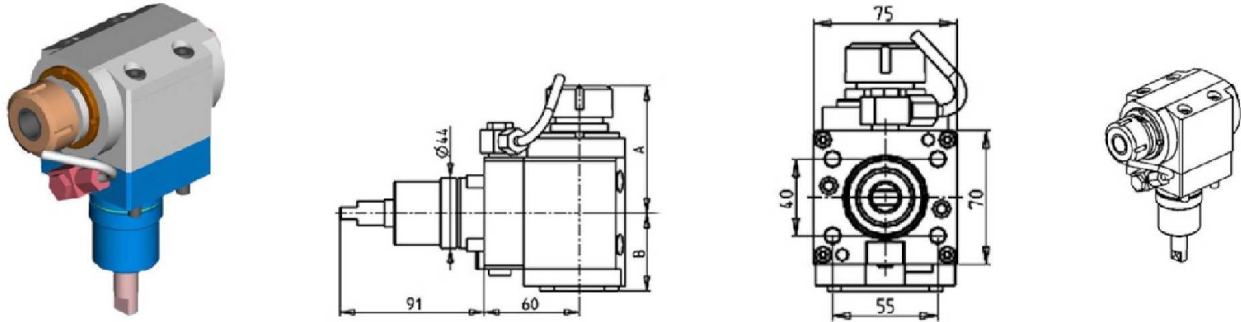
W T100 - W Y100 - W Y100II 12 ST. - SUPER NTY3 - NTY3-100 12ST. - SUPER NTMX - SUPER NTMXL - MX-5 - NTJ100 - SC100 - SC100X² - MX100

DRIVEN

AXIAL DRIVEN TOOL 8,000 RPM H=60mm

WT100 - WY100 - WY100II 12 ST. - SUPER NTY3 - NTY3-100 12 ST. - NTJ100 - SC100 - SC100X²

NTJ100 CAN ONLY BE USED ON THE UPPER TURRET



PartNumber	Description	Spindle	I	RPM	Reversible	Cool Thru	Ext Cool	A	B
NKM1680520	Axial ERA20	ERA20	1:1	8000	X		X	69.23	49
NKM1680620	Axial ERA20 Cool Thru*	ERA20	1:1	8000	X	X	X	69.23	59
NKM1680125	Axial ER25	ER25	1:1	8000	X		X	80.16	49
NKM1680225	Axial ER25 Cool Thru*	ER25	1:1	8000	X	X	X	80.16	59

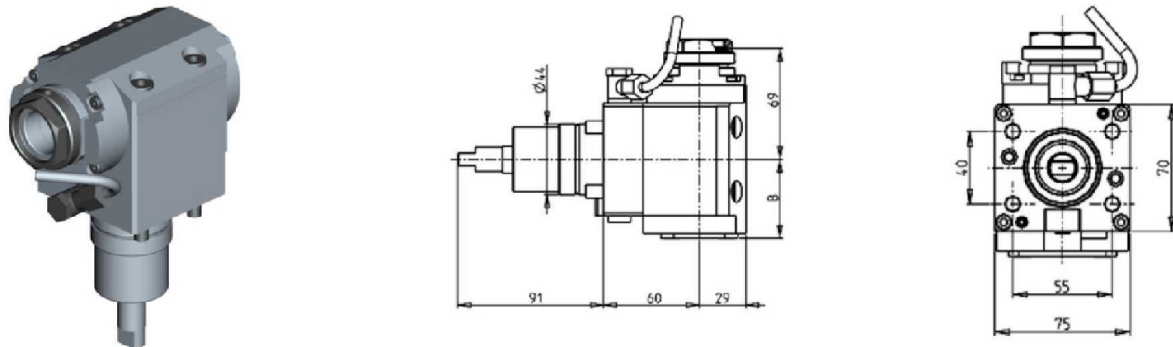
* Coolant Thru tools are designed for 1000 psi.
They require 5 Micron Filtration and **CANNOT** be run dry.

QUICK CHANGE AXIAL MTSK DRIVEN TOOL H=60mm

WT100 - WY100 - WY100II 12 ST. - SUPER NTY3 - NTY3-100 12 ST. - NTJ100 - SC100 - SC100X²

NTJ100 CAN ONLY BE USED ON THE UPPER TURRET

See Accessories for MTSK Adaptors



PartNumber	Description	Spindle	I	RPM	Reversible	Cool Thru	Ext Cool	B
NKM1200132	Axial MTSK-32 Driven Tool	MTSK-32	1:1	6000	X		X	49
NKM1200232	Axial MTSK-32 Driven Tool Cool Thru*	MTSK-32	1:1	6000	X	X	X	59

* Coolant Thru tools are designed for 1000 psi.
They require 5 Micron Filtration and **CANNOT** be run dry.

W T100 - W Y100 - W Y100II 12 ST. - SUPER NTY3 - NTY3-100 12ST. - SUPER NTMX - SUPER NTMXL - MX-5 - NTJ100 - SC100 - SC100X² - MX100

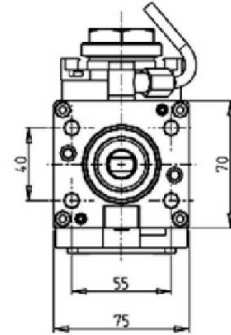
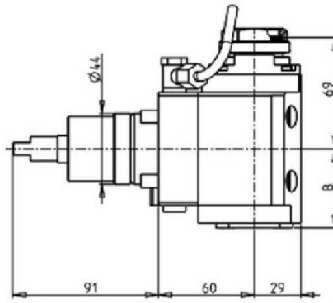
DRIVEN

QUICK CHANGE AXIAL MTSK DRIVEN TOOL 8,000 RPM H=60mm

WT100 - WY100 - WY100II 12 ST. - SUPER NTY3 - NTY3-100 12 ST. - NTJ100 - SC100 - SC100X²

NTJ100 CAN ONLY BE USED ON THE UPPER TURRET

See Accessories for MTSK Adaptors

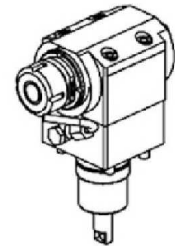
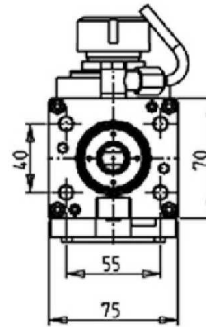
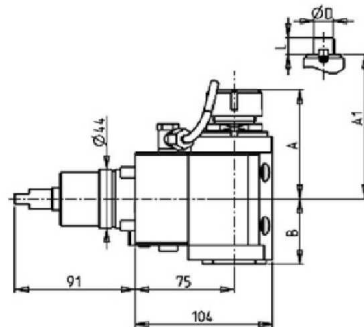
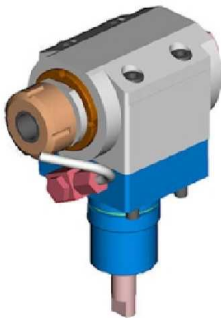


PartNumber	Description	Spindle	I	RPM	Reversible	Cool Thru	Ext Cool	B
NKM1720132	Axial MTSK-32 Driven Tool	MTSK-32	1:1	8000	X		X	49
NKM1720232	Axial MTSK-32 Driven Tool Cool Thru*	MTSK-32	1:1	8000	X	X	X	59

* Coolant Thru tools are designed for 1000 psi. They require 5 Micron Filtration and **CANNOT** be run dry.

AXIAL DRIVEN TOOL H=75mm

SUPER NTMX - SUPER NTMXL - MX-5 - NTJ100 - SC100 - SC100X² - MX100



PartNumber	Description	Spindle	I	RPM	Reversible	Cool Thru	Ext Cool	A	A1	B	D	L
NKM1320520	Axial ERA20	ERA20	1:1	6000	X		X	69.23		49		
NKM1320620	Axial ERA20 Cool Thru*	ERA20	1:1	6000	X	X	X	69.23		59		
NKM1320125	Axial ER25	ER25	1:1	6000	X		X	80.16		49		
NKM1320225	Axial ER25 Cool Thru*	ER25	1:1	6000	X	X	X	80.16		59		
NKM1321617	Axial Mill Head 16x17mm	Ø16x17	1:1	6000	X		X			63	49	16 17
NKM1322219	Axial Mill Head 22x19mm	Ø22x19	1:1	6000	X		X			63	49	22 19

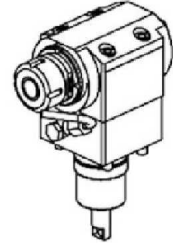
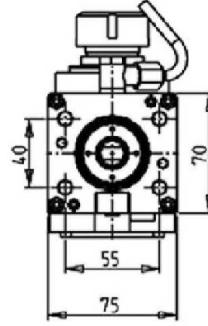
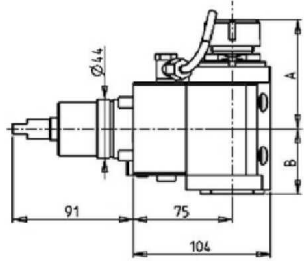
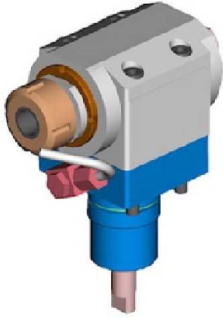
* Coolant Thru tools are designed for 1000 psi. They require 5 Micron Filtration and **CANNOT** be run dry.

W T100 - W Y100 - W Y100II 12 ST. - SUPER NTY3 - NTY3-100 12ST. - SUPER NTMX - SUPER NTMXL - MX-5 - NTJ100 - SC100 - SC100X² - MX100

DRIVEN

AXIAL DRIVEN TOOL 8,000 RPM H=75mm

SUPER NTMX - SUPER NTMXL - MX-5 - NTJ100 - SC100 - SC100X² - MX100



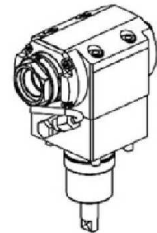
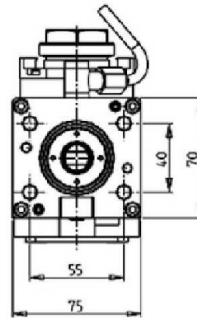
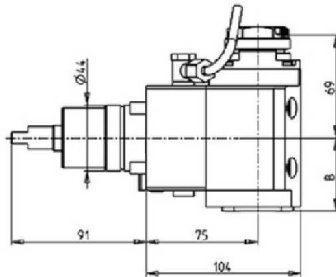
PartNumber	Description	Spindle	I	RPM	Reversible	Cool Thru	Ext Cool	A	B
NKM1730520	Axial ERA20	ERA20	1:1	8000	X		X	69.23	49
NKM1730620	Axial ERA20 Cool Thru*	ERA20	1:1	8000	X	X	X	69.23	59
NKM1730125	Axial ER25	ER25	1:1	8000	X		X	80.16	49
NKM1730225	Axial ER25 Cool Thru*	ER25	1:1	8000	X	X	X	80.16	59

* Coolant Thru tools are designed for 1000 psi.
They require 5 Micron Filtration and **CANNOT** be run dry.

QUICK CHANGE AXIAL MTSK DRIVEN TOOL H=75mm

SUPER NTMX - SUPER NTMXL - MX-5 - NTJ100 - SC100 - SC100X² - MX100

See Accessories for MTSK Adaptors



PartNumber	Description	Spindle	I	RPM	Reversible	Cool Thru	Ext Cool	B
NKM1340132	Axial MTSK-32 Driven Tool	MTSK-32	1:1	6000	X		X	49
NKM1340232	Axial MTSK-32 Driven Tool Cool Thru*	MTSK-32	1:1	6000	X	X	X	59

* Coolant Thru tools are designed for 1000 psi.
They require 5 Micron Filtration and **CANNOT** be run dry.

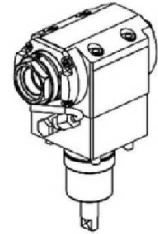
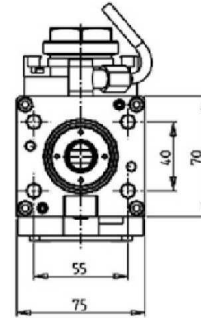
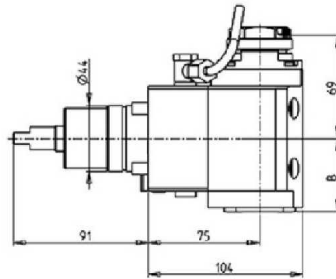
W T100 - W Y100 - W Y100II 12 ST. - SUPER NTY3 - NTY3-100 12ST. - SUPER NTMX - SUPER NTMXL - MX-5 - NTJ100 - SC100 - SC100X² - MX100

DRIVEN

QUICK CHANGE AXIAL MTSK DRIVEN TOOL 8,000 RPM H=75mm

SUPER NTMX - SUPER NTMXL - MX-5 - NTJ100 - SC100 - SC100X² - MX100

See Accessories for MTSK Adaptors



PartNumber	Description	Spindle	I	RPM	Reversible	Cool Thru	Ext Cool	B
NKM1740132	Axial MTSK-32 Driven Tool	MTSK-32	1:1	8000	X		X	49
NKM1740232	Axial MTSK-32 Driven Tool Cool Thru*	MTSK-32	1:1	8000	X	X	X	59

* Coolant Thru tools are designed for 1000 psi.
They require 5 Micron Filtration and **CANNOT** be run dry.

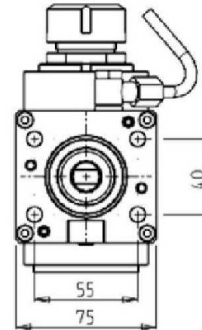
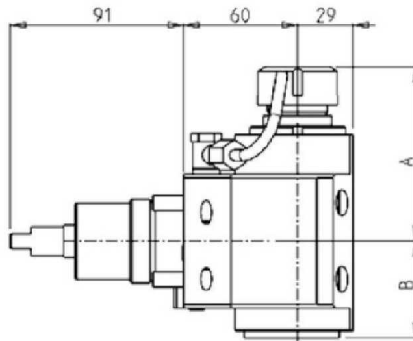
W T100 - W Y100 - W Y100II 12 ST. - SUPER NTY3 - NTY3-100 12ST. - SUPER NTMX - SUPER NTMXL - MX-5 - NTJ100 - SC100 - SC100X² - MX100

DRIVEN

AXIAL GEARED-UP 1:2 DRIVEN TOOL

WT100 - WY100 - WY100II 12 ST. - SUPER NTY3 - NTY3-100 12 ST. - NTJ100 - SC100 - SC100X²

NTJ100 CAN ONLY BE USED ON THE UPPER TURRET



PartNumber	Description	Spindle	Reversible	I	RPM	Cool Thru	Ext Cool	A	B
NKM0710111	Axial Geared-Up 1:2 ER11	ER11	X	1:2	12000		X	83.6	50.5
NKM0710211	Axial Geared-Up 1:2 ER11 Cool Thru*	ER11	X	1:2	12000	X	X	83.6	60.5
NKM0710320	Axial Geared-Up 1:2 ERA20	ERA20	X	1:2	12000		X	72.5	50.5
NKM0710420	Axial Geared-Up 1:2 ERA20 Cool Thru*	ERA20	X	1:2	12000	X	X	72.5	60.5
NKM0710120	Axial Geared-Up 1:2 ER20	ER20	X	1:2	12000		X	92.16	50.5
NKM0710220	Axial Geared-Up 1:2 ER20 Cool Thru*	ER20	X	1:2	12000	X	X	92.16	60.5
NKM0710125	Axial Geared-Up 1:2 ER25	ER25	X	1:2	12000		X	91.16	50.5
NKM0710225	Axial Geared-Up 1:2 ER25 Cool Thru*	ER25	X	1:2	12000	X	X	91.16	60.5

* Coolant Thru tools are designed for 1000 psi.
They require 5 Micron Filtration and **CANNOT** be run dry.

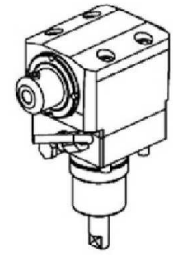
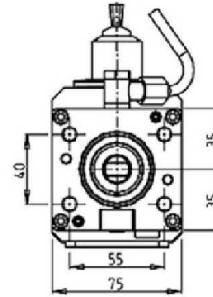
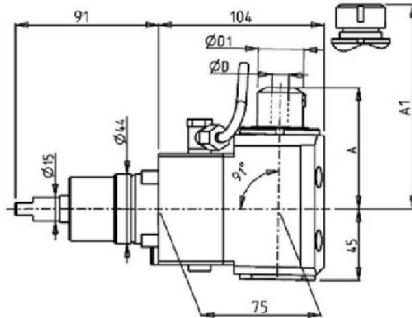
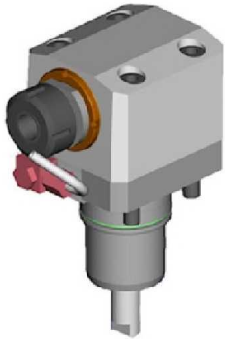
W T100 - W Y100 - W Y100II 12 ST. - SUPER NTY3 - NTY3-100 12ST. - SUPER NTMX - SUPER NTMXL - MX-5 - NTJ100 - SC100 - SC100X² - MX100

DRIVEN

AXIAL DRIVEN TOOL FOR INTERNAL POLYGON-MAKING H=75mm

SUPER NTMX - SUPER NTMXL - MX-5 - NTJ100 - SC100 - SC100X² - MX100

See Accessories for Mill Heads

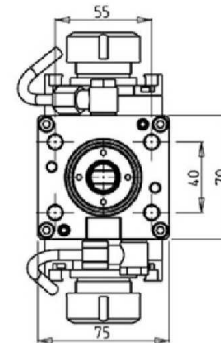
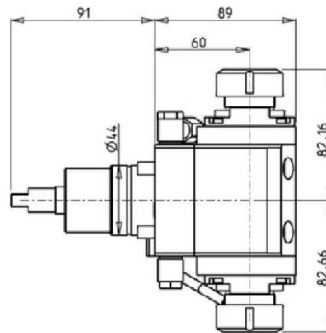


PartNumber	Description	Spindle	I	RPM	Reversible	Ext Cool	A	A1	D	D1
NKM1479125	Axial for Internal Polygon-Making ER25	ER25	1:1	6000	X	X		82.4		
NKM1479108	Axial for Internal Polygon-Making Weldon 8	WELDON 8	1:1	6000	X	X	76.5		8	29
NKM1479110	Axial for Internal Polygon-Making Weldon 10	WELDON 10	1:1	6000	X	X	76.5		10	29
NKM1479112	Axial for Internal Polygon-Making Weldon 12	WELDON 12	1:1	6000	X	X	76.5		12	29
NKM1479116	Axial for Internal Polygon-Making Weldon 16	WELDON 16	1:1	6000	X	X	73.5		16	32

AXIAL OPPOSITE FACE TWIN DRIVEN TOOL H=60mm

WT100 - WY100 - WY100II 12 ST. - SUPER NTY3 - NTY3-100 12 ST. - NTJ100 - SC100 - SC100X²

NTJ100 CAN ONLY BE USED ON THE UPPER TURRET



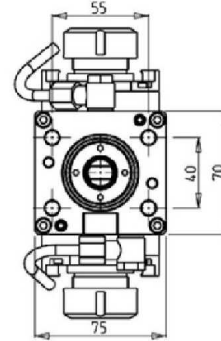
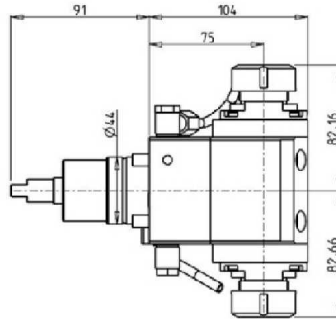
PartNumber	Description	Spindle	I	RPM	Reversible	Ext Cool
NKM1820225	Axial Opposite Face Driven Tool	ER25 + ER25	1:1	6000	X	X

W T100 - W Y100 - W Y100II 12 ST. - SUPER NTY3 - NTY3-100 12ST. - SUPER NTMX - SUPER NTMXL - MX-5 - NTJ100 - SC100 - SC100X² - MX100

DRIVEN

AXIAL OPPOSITE FACE TWIN DRIVEN TOOL H=75mm

NTJ100 - SC100 - SC100X² - MX100

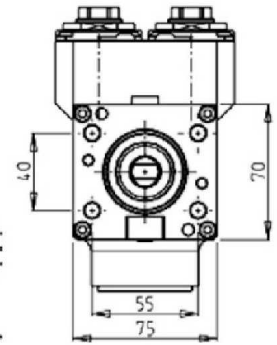
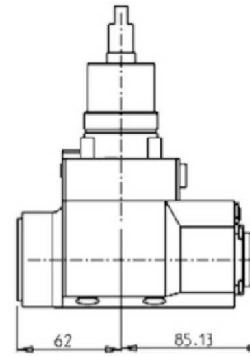
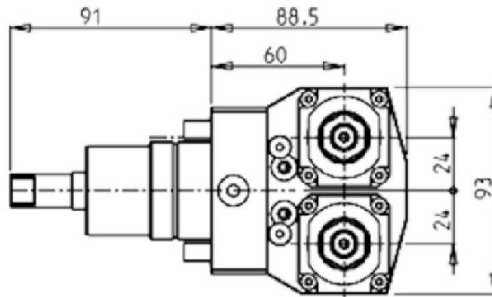
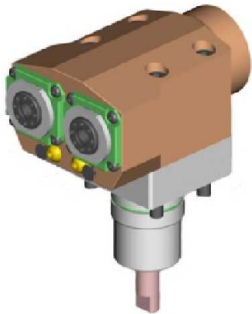


PartNumber	Description	Spindle	I	RPM	Reversible	Ext Cool
NKM1800225	Axial Opposite Face Driven Tool	ER25+ER25	1:1	6000	X	X

AXIAL SINGLE SIDE TWIN HEAD DRIVEN TOOL IN Y H=60mm

WT100 - WY100 - WY100II 12 ST. - SUPER NTY3 - NTY3-100 12 ST. - NTJ100 - SC100 - SC100X²

NTJ100 CAN ONLY BE USED ON THE UPPER TURRET



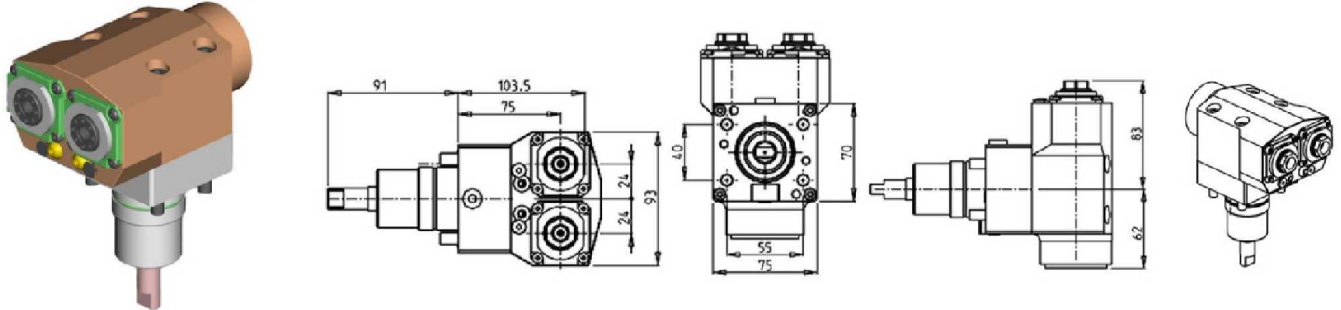
PartNumber	Description	Spindle	I	RPM	Reversible	Ext Cool
NKM0200216	Axial Single Side Twin Head Driven Tool in Y	ERA16	1:1	6000	X	X

W T100 - W Y100 - W Y100II 12 ST. - SUPER NTY3 - NTY3-100 12ST. - SUPER NTMX - SUPER NTMXL - MX-5 - NTJ100 - SC100 - SC100X² - MX100

DRIVEN

AXIAL SINGLE SIDE TWIN HEAD DRIVEN TOOL IN Y H=75mm

NTJ100 - SC100 - SC100X²



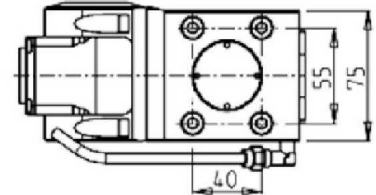
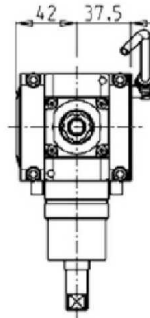
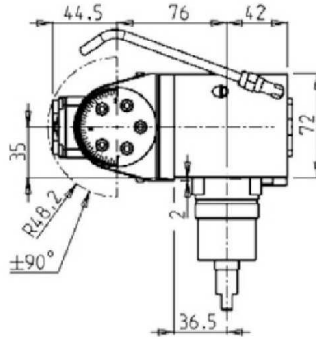
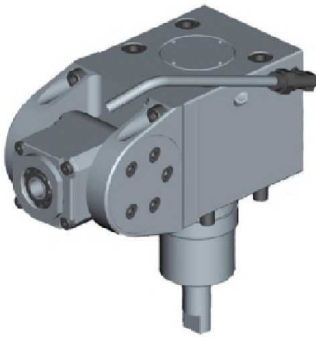
PartNumber	Description	Spindle	I	RPM	Reversible	Ext Cool
NKM1760216	Axial Single Side Twin Head Driven Tool in Y	ERA16	1:1	6000	X	X

W T100 - W Y100 - W Y100II 12 ST. - SUPER NTY3 - NTY3-100 12ST. - SUPER NTMX - SUPER NTMXL - MX-5 - NTJ100 - SC100 - SC100X² - MX100

DRIVEN

0-180° ADJUSTABLE ANGLE DRIVEN TOOL H=35mm

WT100 - WY100 - WY100II 12 ST. - SUPER NTY3 - NTY3-100 12 ST. - NTJ100 - SC100 - SC100X² - MX100



PartNumber	Description	Spindle	I	RPM	Reversible	Cool Thru	Ext Cool
NKM0670316	(0-180) Adjustable Angle ERA16	ERA16	1:1	6000	X		X
NKM0670416	(0-180) Adjustable Angle ERA16 Cool Thru*	ERA16	1:1	6000	X	X	X

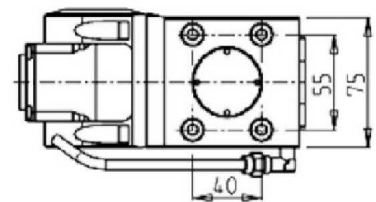
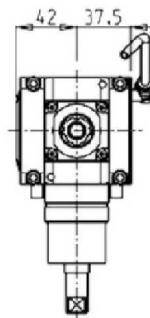
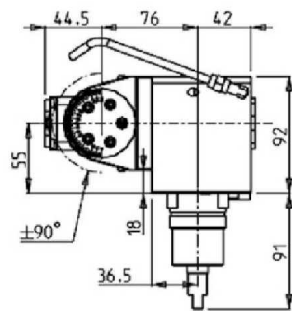
* Coolant Thru tools are designed for 1000 psi.
They require 5 Micron Filtration and **CANNOT** be run dry.

Note :

Wrenches are provided with the purchase of Specialty Toolholders

0-180° ADJUSTABLE ANGLE DRIVEN TOOL H=55mm

WT100 - WY100 - WY100II 12 ST. - SUPER NTY3 - NTY3-100 12 ST. - NTJ100 - SC100 - SC100X² - MX100



PartNumber	Description	Spindle	I	RPM	Reversible	Cool Thru	Ext Cool
NKM0671316	0-180° Adj Angle ERA16	ERA16	1:1	6000	X		X
NKM0671416	0-180° Adj Angle ERA16 Cool Thru*	ERA16	1:1	6000	X	X	X

* Coolant Thru tools are designed for 1000 psi.
They require 5 Micron Filtration and **CANNOT** be run dry.

Note :

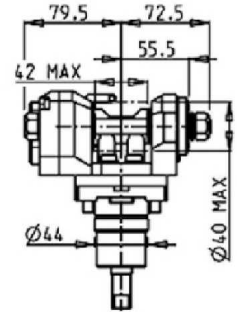
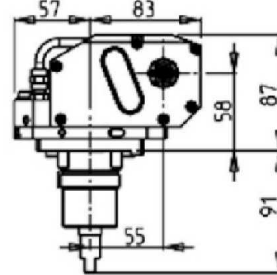
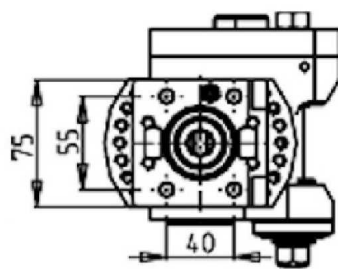
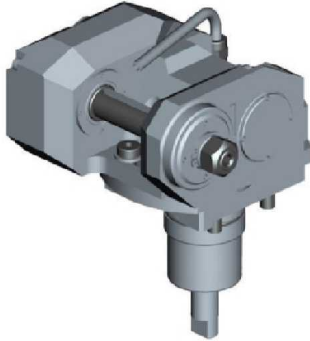
Wrenches are provided with the purchase of Specialty Toolholders

W T100 - W Y100 - W Y100II 12 ST. - SUPER NTY3 - NTY3-100 12ST. - SUPER NTMX - SUPER NTMXL - MX-5 - NTJ100 - SC100 - SC100X² - MX100

DRIVEN

DRIVEN GEAR HOBBER

WT100 - WY100 - WY100II 12 ST. - SUPER NTY3 - NTY3-100 12 ST. - NTJ100 - SC100 - SC100X²



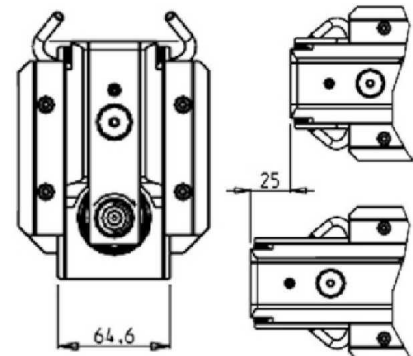
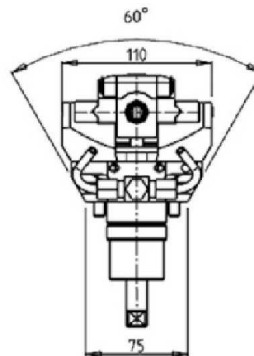
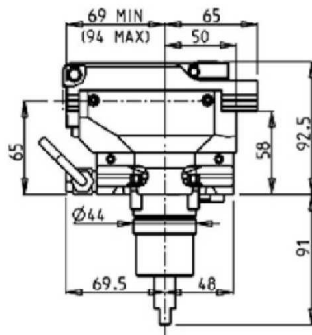
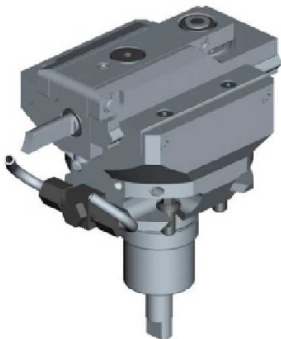
PartNumber	Description	I	MAX RPM	Ext Cool	D (mm)
NKM1071108	Driven Gear Hobber 1:1	1:1	6000	X	8
NKM1071110	Driven Gear Hobber 1:1	1:1	6000	X	10
NKM1071113	Driven Gear Hobber 1:1	1:1	6000	X	13
NKM1071116	Driven Gear Hobber 1:1	1:1	6000	X	16
NKM1071155	Driven Gear Hobber 1:1	1:1	6000	X	1/2"
NKM1072108	Driven Gear Hobber Geared-Down 2:1	2:1	3000	X	8
NKM1072110	Driven Gear Hobber Geared-Down 2:1	2:1	3000	X	10
NKM1072113	Driven Gear Hobber Geared-Down 2:1	2:1	3000	X	13
NKM1072116	Driven Gear Hobber Geared-Down 2:1	2:1	3000	X	16
NKM1072155	Driven Gear Hobber Geared-Down 2:1	2:1	3000	X	1/2"

Note : Wrenches are provided with the purchase of Specialty Toolholders

BROACHING/SLOTING TOOL 25mm STROKE H=65mm

WT100 - WY100 - WY100II 12 ST. - SUPER NTY3 - NTY3-100 12 ST. - NTJ100 - SC100 - SC100X²

NTJ100 CAN ONLY BE USED ON THE UPPER TURRET



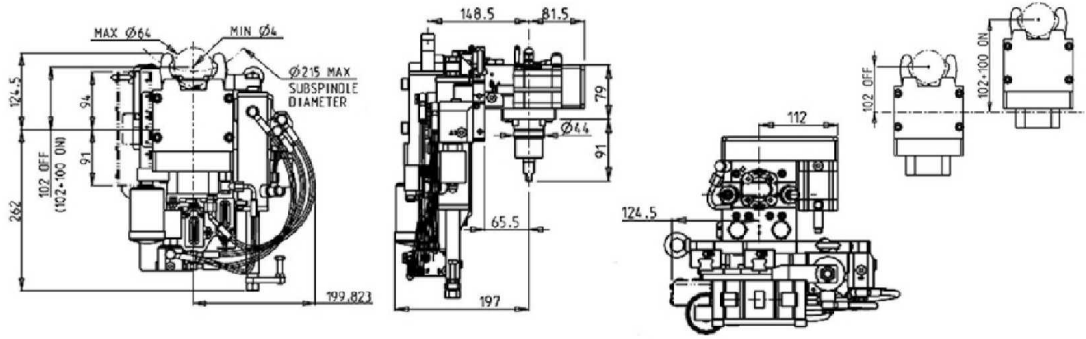
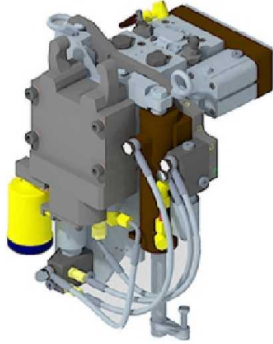
PartNumber	Description	I	MAX RPM	Reversible	Ext Cool
NKM1210200	Broaching/Slotting Tool 25mm Stroke	4:1	2400	X	X

W T100 - W Y100 - W Y100II 12 ST. - SUPER NTY3 - NTY3-100 12ST. - SUPER NTMX - SUPER NTMXL - MX-5 - NTJ100 - SC100 - SC100X² - MX100

DRIVEN

DRIVEN TOOLHOLDER FOR SLIDING STEADY REST (SIZE 1)

WT100 - NTJ100



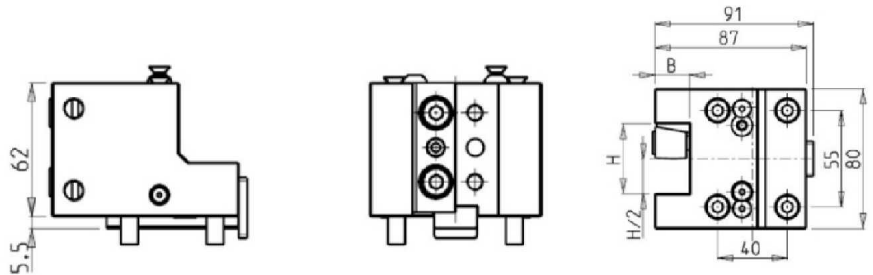
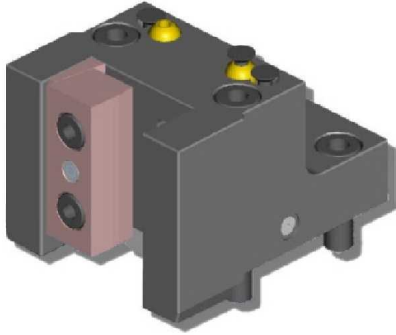
PartNumber	Description	I	RPM	Ext Cool
NKM1880300	Sliding Steady Rest - Size 1	1:1	6000	X
NKM1880300US	Sliding Steady Rest - Size 1 with Electronics	1:1	6000	X

W T100 - W Y100 - W Y100II 12 ST. - SUPER NTY3 - NTY3-100 12ST. - SUPER NTMX - SUPER NTMXL - MX-5 - NTJ100 - SC100 - SC100X² - MX100

STATIC

RADIAL SINGLE STATIC TOOL

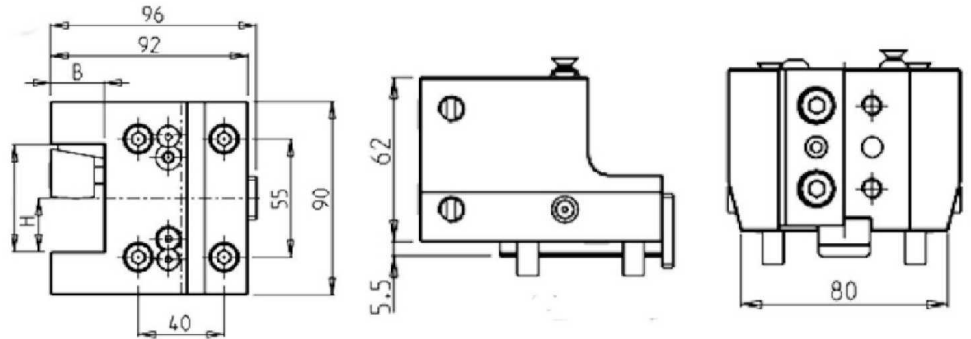
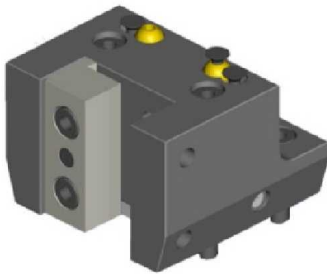
WT100 - WY100 - WY100II 12 ST. - SUPER NTY3 - NTY3-100 12 ST. - SUPER NTMX - SUPER NTMXL - MX-5 - NTJ100 - SC100 - SC100X² - MX100



PartNumber	Description	# of Tools	Reversible	Cool Thru	Ext Cool	Dimensions	B	H
NKM0162010	Radial Single Static Tool 20mm	1	X		X	mm	20	20
NKM0162050	Radial Single Static Tool 20mm Cool Thru*	1	X	X	X	mm	20	20

RADIAL SINGLE STATIC TOOL

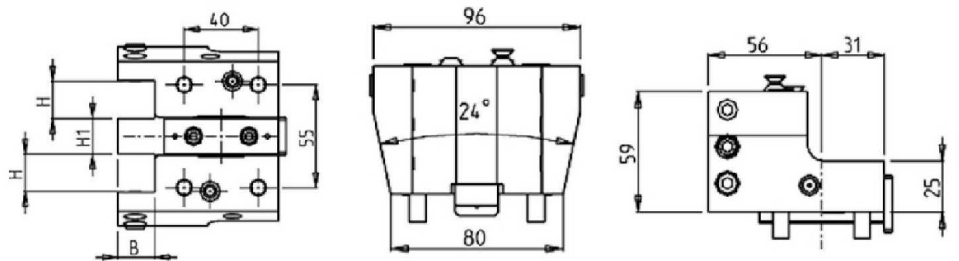
WT100 - WY100 - WY100II 12 ST. - SUPER NTY3 - NTY3-100 12 ST. - SUPER NTMX - SUPER NTMXL - MX-5 - NTJ100 - SC100 - SC100X² - MX100



PartNumber	Description	# of Tools	Reversible	Dimensions	B	H
NKM0162510	Radial Single Static Tool 25mm	1	X	mm	25	25

RADIAL SINGLE SIDE TWIN STATIC TOOL

WT100 - WY100 - WY100II 12 ST. - SUPER NTY3 - NTY3-100 12 ST. - NTJ100 - SC100 - SC100X²



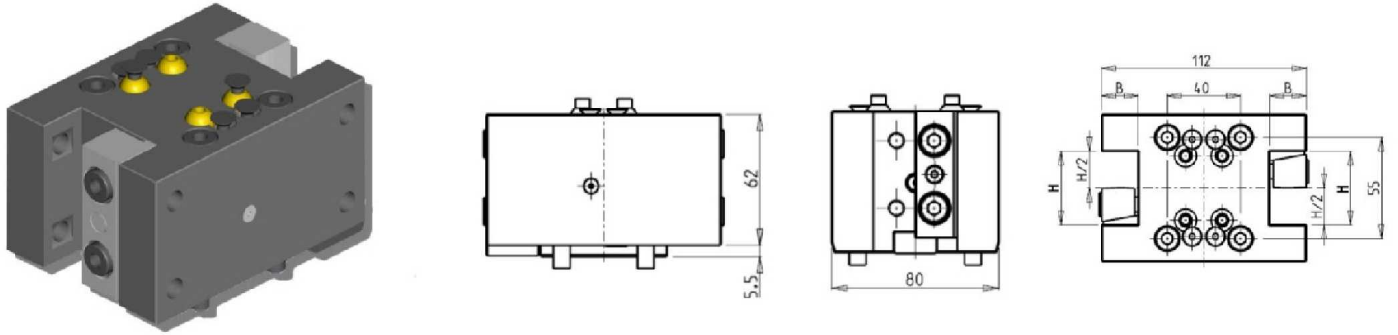
PartNumber	Description	Reversible	Dimensions	B	H	H1
NKM1972000	Radial Single Side Twin Static Ø20mm	X	mm	20	20	19

W T100 - W Y100 - W Y100II 12 ST. - SUPER NTY3 - NTY3-100 12ST. - SUPER NTMX - SUPER NTMXL - MX-5 - NTJ100 - SC100 - SC100X² - MX100

STATIC

RADIAL DOUBLE STATIC TOOL

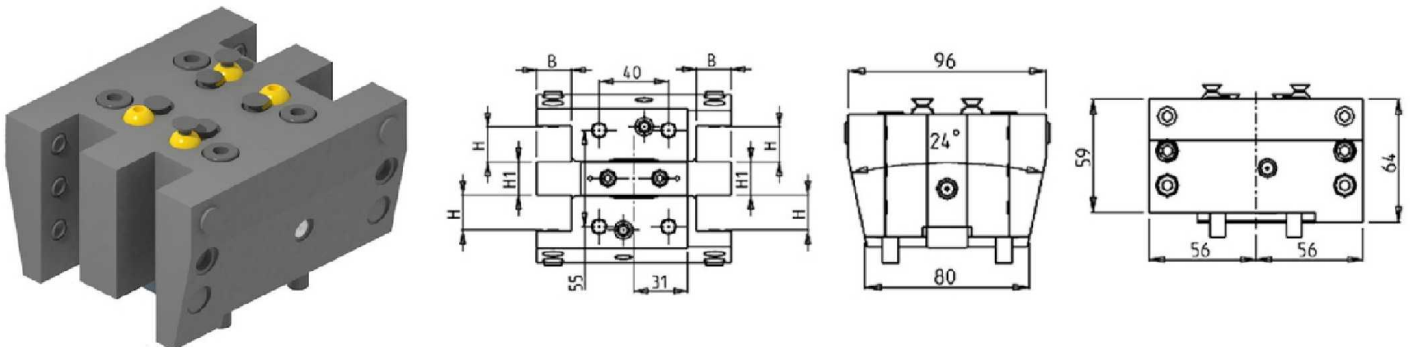
WT100 - WY100 - WY100II 12 ST. - SUPER NTY3 - NTY3-100 12 ST. - SUPER NTMX - SUPER NTMXL - MX-5 - NTJ100 - SC100 - SC100X² - MX100



PartNumber	Description	# of Tools	Reversible	Dimensions	B	H
NKM0152010	Radial Double Static Tool 20mm	2	X	mm	20	20

RADIAL DOUBLE SIDE TWIN STATIC TOOL

WT100 - WY100 - WY100II 12 ST. - SUPER NTY3 - NTY3-100 12 ST. - NTJ100 - SC100 - SC100X²

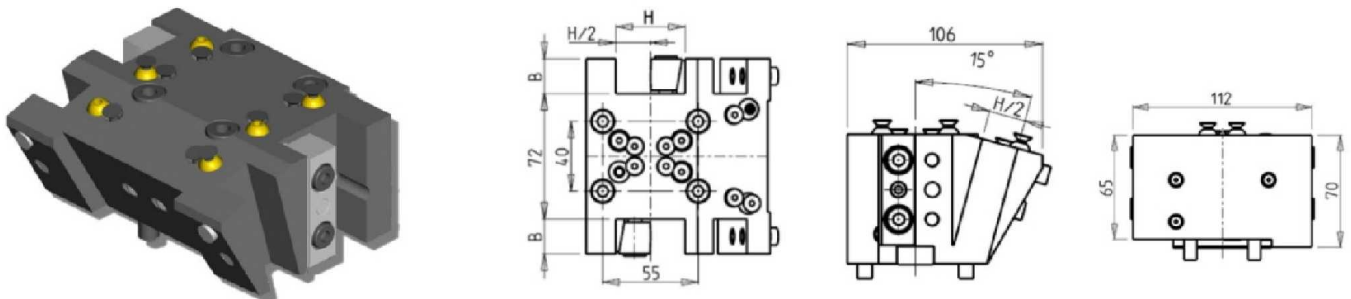


PartNumber	Description	Reversible	Dimensions	B	H	H1
NKM1982000	Radial Double Side Twin Static Ø20mm	X	mm	20	20	19

RADIAL MULTIPLE STATIC TOOL

WT100 - WY100 - WY100II 12 ST. - SUPER NTY3 - NTY3-100 12 ST. - NTJ100

NTJ100 CAN ONLY BE USED ON THE UPPER TURRET



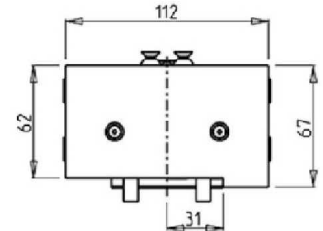
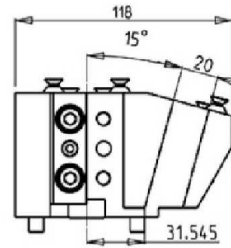
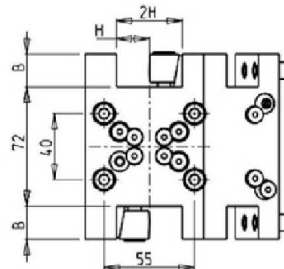
PartNumber	Description	# of Tools	Dimensions	B	H
NKM0452000	Multiple Radial Static Tool 20mm	4	mm	20	20

W T100 - W Y100 - W Y100II 12 ST. - SUPER NTY3 - NTY3-100 12ST. - SUPER NTMX - SUPER NTMXL - MX-5 - NTJ100 - SC100 - SC100X² - MX100

STATIC

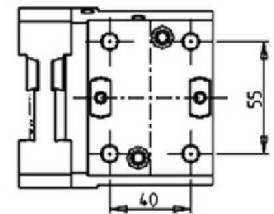
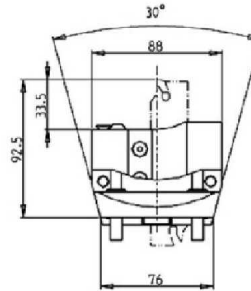
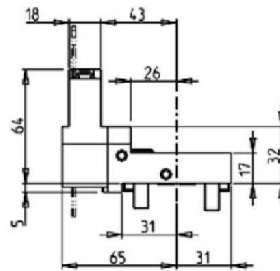
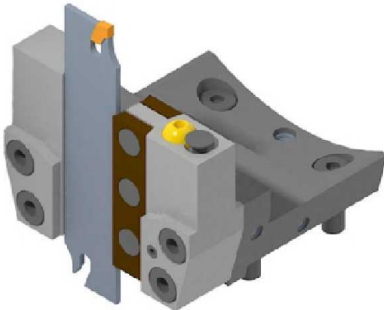
RADIAL MULTIPLE STATIC TOOL

MX100



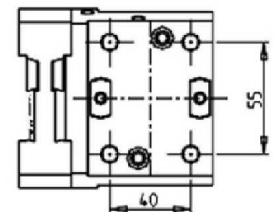
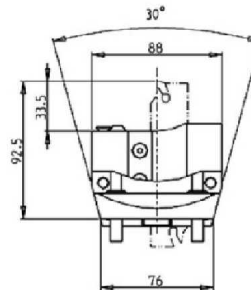
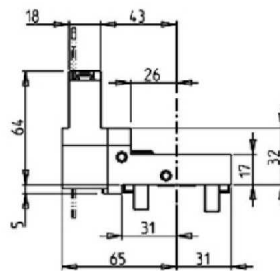
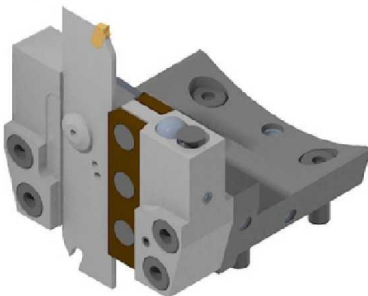
PartNumber	Description	# of Tools	Dimensions	B	H
NKM1842000	Radial Multiple Static Tool 20mm	4	mm	20	20

RADIAL BLADE HOLDER WITH BLADE KIT



PartNumber	Description	# of Tools	Reversible	Ext Cool
NKM2140126	Radial Blade Holder with Blade Kit	1	X	X
BLADEKIT	Blade Kit: 1 Blade, 10 Inserts			

RADIAL BLADE HOLDER WITH INTERNAL COOLANT - BLADE KIT NOT INCLUDED



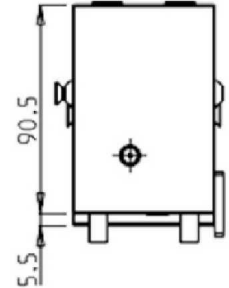
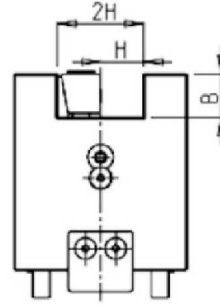
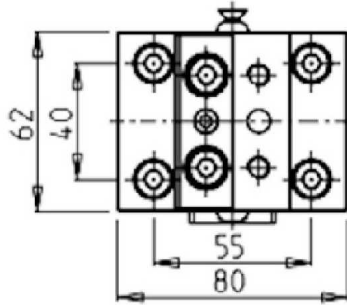
PartNumber	Description	# of Tools	Reversible	Ext Cool	Cool Thru
NKM2150226	Radial Blade Holder Internal Coolant	1	X	X	X
COOL THRU BLADEKIT	Blade Kit: 1 Blade, 10 Inserts				

W T100 - W Y100 - W Y100II 12 ST. - SUPER NTY3 - NTY3-100 12ST. - SUPER NTMX - SUPER NTMXL - MX-5 - NTJ100 - SC100 - SC100X² - MX100

STATIC

AXIAL SINGLE STATIC TOOL

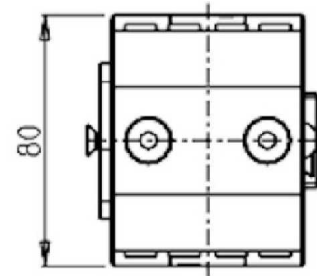
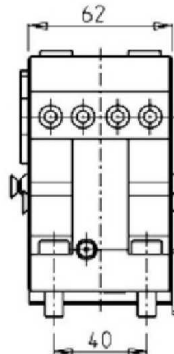
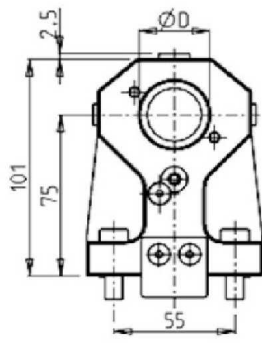
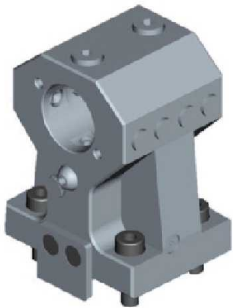
WT100 - WY100 - WY100II 12 ST. - SUPER NTY3 - NTY3-100 12 ST. - SUPER NTMX - SUPER NTMXL - MX-5 - NTJ100 - SC100 - SC100X² - MX100



PartNumber	Description	# of Tools	Reversible	Dimensions	B	H
NKM0182010	Axial Single Static Tool 20mm	1	X	mm	20	20

AXIAL SINGLE BORING BAR HOLDER H=75mm

SUPER NTMX - SUPER NTMXL - NTJ100 - SC100 - SC100X²



PartNumber	Description	# of Tools	Reversible	Cool Thru	Ext Cool	Dimensions	D
NKM0733200	Axial Single BBH 32mm	1	X	X	X	mm	32
KIT1000001	Plug for 32mm or 1-1/4" BBH to Make Cool Thru						

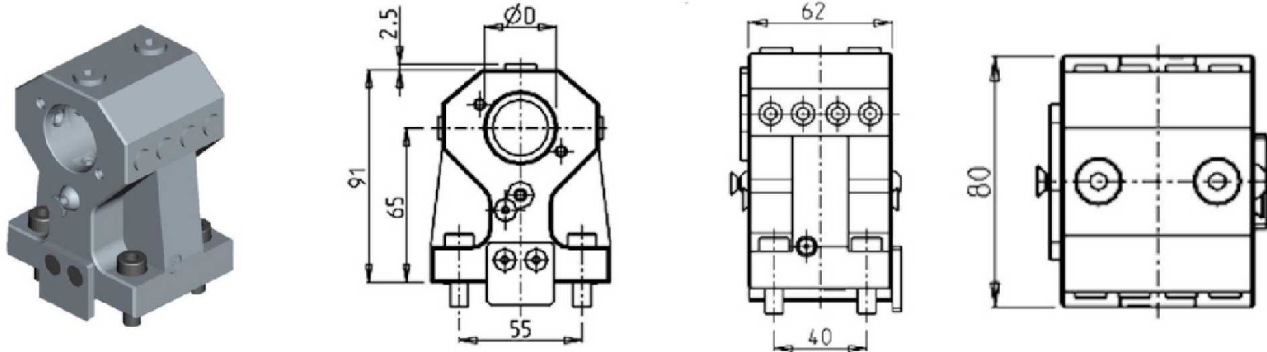
W T100 - W Y100 - W Y100II 12 ST. - SUPER NTY3 - NTY3-100 12ST. - SUPER NTMX - SUPER NTMXL - MX-5 - NTJ100 - SC100 - SC100X² - MX100

STATIC

AXIAL SINGLE BORING BAR HOLDER H=65mm

WT100 - WY100 - WY100II 12 ST. - SUPER NTY3 - NTY3-100 12 ST. - NTJ100 - SC100 - SC100X²

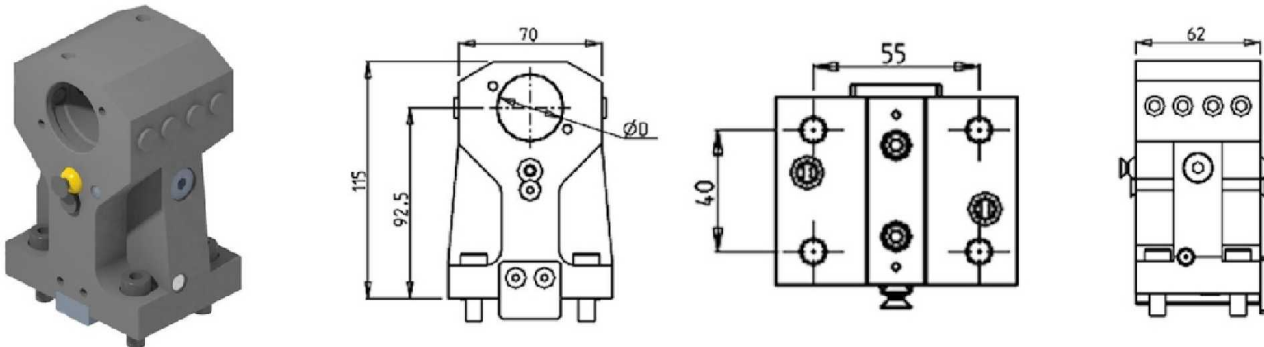
NTJ100 CAN ONLY BE USED ON THE UPPER TURRET



PartNumber	Description	# of Tools	Reversible	Cool Thru	Ext Cool	Dimensions	D
NKM1993200	Axial Single BBH Ø32mm	1	X	X	X	mm	32
KIT1000001	Plug for 32mm or 1-1/4" BBH to Make Cool Thru						

AXIAL SINGLE BORING BAR HOLDER H=92.5mm

SUPER NTMX - SUPER NTMXL - MX-5 - MX100



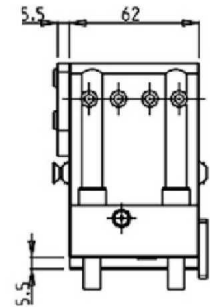
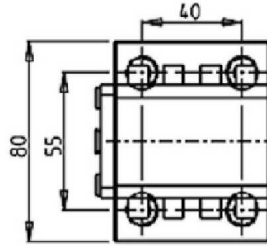
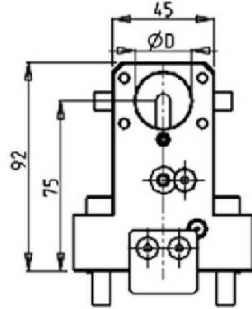
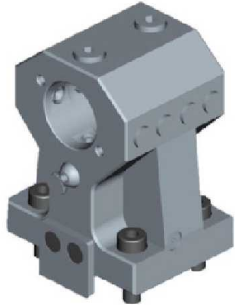
PartNumber	Description	# of Tools	Reversible	Cool Thru	Ext Cool	Dimensions	D
NKM2023200	Axial Single BBH Ø32mm	1	X	X	X	mm	32
KIT1000001	Plug for 32mm or 1-1/4" BBH to Make Cool Thru						

W T100 - W Y100 - W Y100II 12 ST. - SUPER NTY3 - NTY3-100 12ST. - SUPER NTMX - SUPER NTMXL - MX-5 - NTJ100 - SC100 - SC100X² - MX100

STATIC

AXIAL SINGLE BORING BAR HOLDER H=75mm

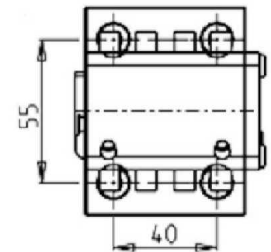
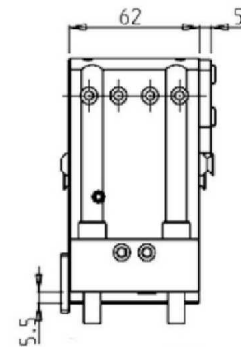
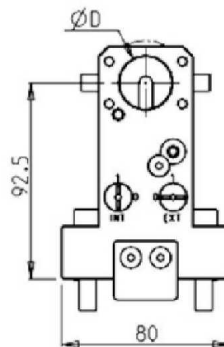
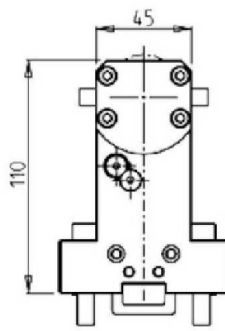
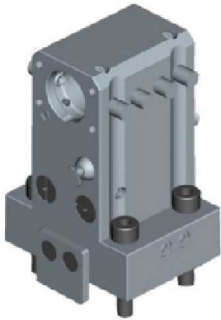
WT100 - WY100 - WY100II 12 ST. - SUPER NTY3 - NTY3-100 12 ST. - NTJ100 - SC100 - SC100X²



PartNumber	Description	# of Tools	Reversible	Cool Thru	Ext Cool	Dimensions	D
NKM0112560	Axial Single BBH 25mm	1	X	X	X	mm	25
KIT1000017	Plug for 25mm or 1" BBH to Make Cool Thru						

AXIAL SINGLE BORING BAR HOLDER H=92.5mm

SUPER NTMX - SUPER NTMXL - MX-5 - MX100



PartNumber	Description	# of Tools	Reversible	Cool Thru	Ext Cool	Dimensions	D
NKM0722540	Axial Single BBH 1"	1	X	X	X	Inch	1"
NKM0722500	Axial Single BBH 25mm	1	X	X	X	mm	25
KIT1000017	Plug for 25mm or 1" BBH to Make Cool Thru						

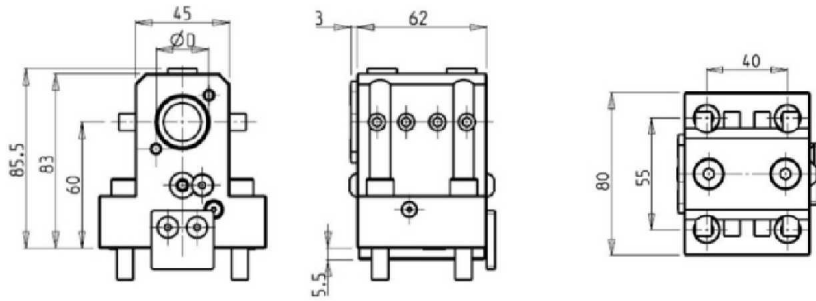
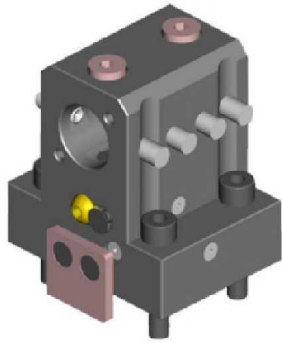
W T100 - W Y100 - W Y100II 12 ST. - SUPER NTY3 - NTY3-100 12ST. - SUPER NTMX - SUPER NTMXL - MX-5 - NTJ100 - SC100 - SC100X² - MX100

STATIC

AXIAL SINGLE BORING BAR HOLDER H=60mm

WT100 - WY100 - WY100II 12 ST. - SUPER NTY3 - NTY3-100 12 ST. - NTJ100 - SC100 - SC100X²

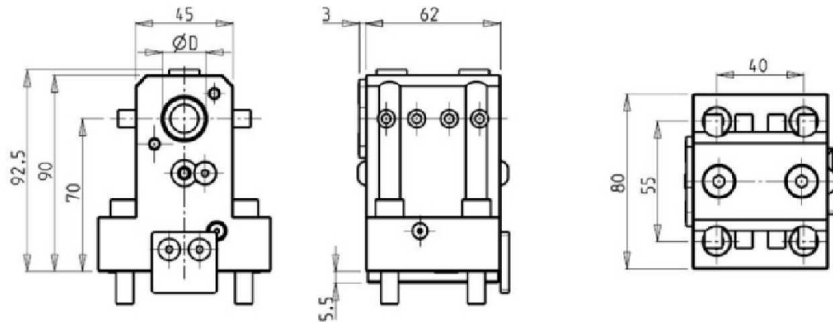
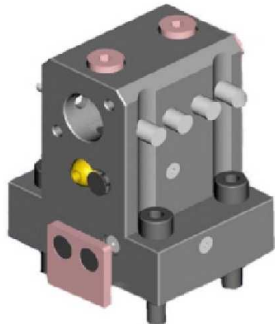
NTJ100 CAN ONLY BE USED ON THE UPPER TURRET



PartNumber	Description	# of Tools	Reversible	Cool Thru	Ext Cool	Dimensions	D
NKM0112540	Axial Single BBH 25mm	1	X	X	X	mm	25
KIT1000006	Plug for 25mm or 1" BBH to Make Cool Thru						

AXIAL SINGLE BORING BAR HOLDER H=70mm

WT100 - WY100 - WY100II 12 ST. - SUPER NTY3 - NTY3-100 12 ST. - NTJ100 - SC100 - SC100X²



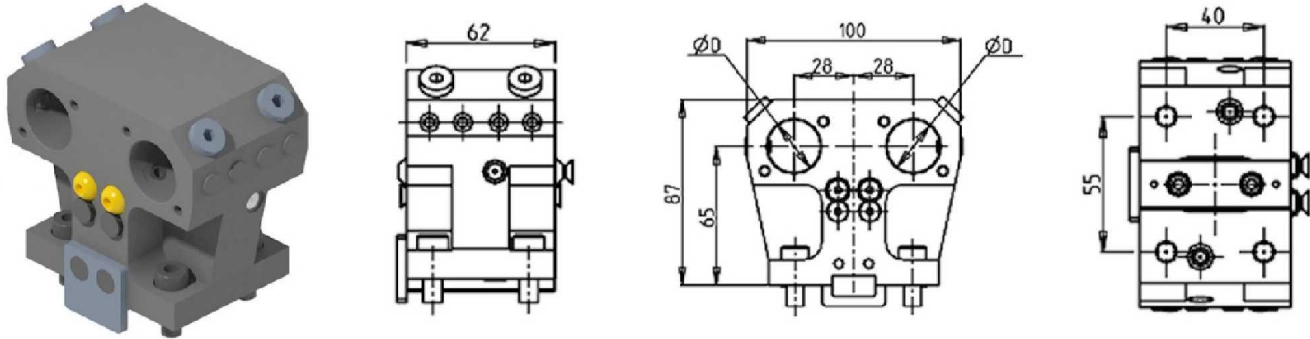
PartNumber	Description	# of Tools	Reversible	Cool Thru	Ext Cool	Dimensions	D
NKM0112550	Axial Single BBH 20mm	1	X	X	X	mm	20
KIT1000015	Plug for 20mm BBH to Make Cool Thru						

W T100 - W Y100 - W Y100II 12 ST. - SUPER NTY3 - NTY3-100 12ST. - SUPER NTMX - SUPER NTMXL - MX-5 - NTJ100 - SC100 - SC100X² - MX100

STATIC

AXIAL DOUBLE BORING BAR HOLDER 2 POSITIONS IN Y H=65mm

SC100 - SC100X²

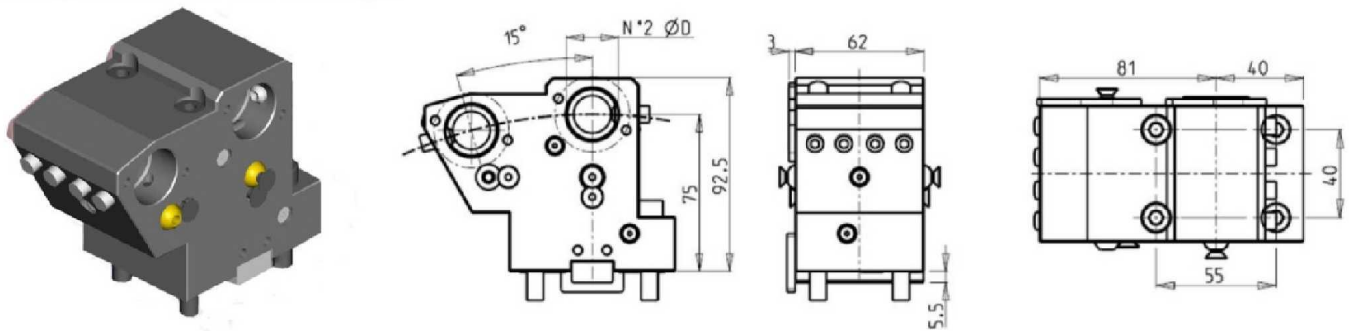


PartNumber	Description	Reversible	Cool Thru	Ext Cool	Dimensions	D
NKM2002500	Axial Double BBH 2 Positions in Y Ø25mm	X	X	X	mm	25
KIT1000006	Plug for 25mm or 1" BBH to Make Cool Thru					

AXIAL 2 POSITION UPRIGHT BORING BAR HOLDER

WT100 - WY100 - WY100II 12 ST. - SUPER NTY3 - NTY3-100 12 ST. - NTJ100

NTJ100 CAN ONLY BE USED ON THE UPPER TURRET



PartNumber	Description	# of Tools	Cool Thru	Ext Cool	Dimensions	D
NKM0462500	Axial 2 Position BBH 25mm	2	X	X	mm	25
KIT1000006	Plug for 25mm or 1" BBH to Make Cool Thru					

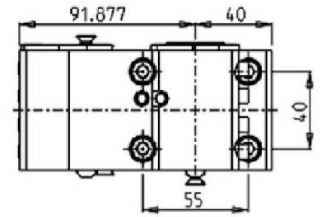
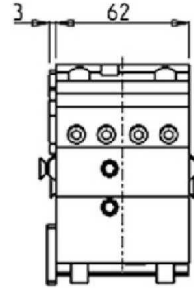
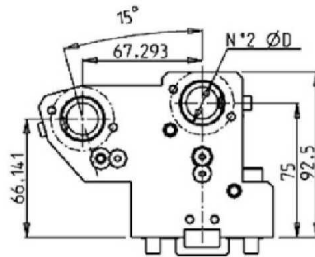
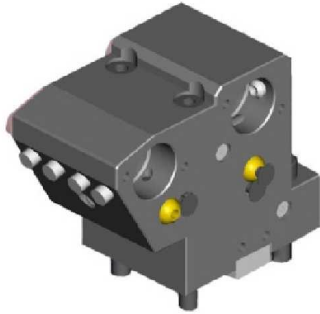
W T100 - W Y100 - W Y100II 12 ST. - SUPER NTY3 - NTY3-100 12ST. - SUPER NTMX - SUPER NTMXL - MX-5 - NTJ100 - SC100 - SC100X² - MX100

STATIC

AXIAL 2 POSITION UPRIGHT BORING BAR HOLDER

NTJ100 - SC100 - SC100X²

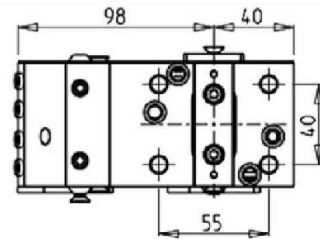
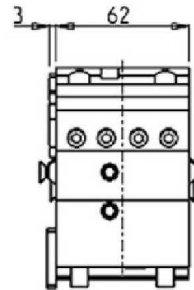
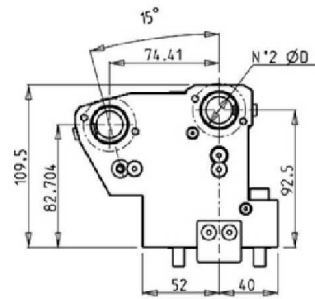
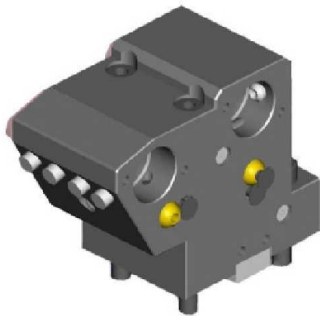
NTJ100 CAN ONLY BE USED ON THE UPPER TURRET



PartNumber	Description	# of Tools	Cool Thru	Ext Cool	Dimensions	D
NKM1772500	Axial 2 Position BBH 25mm	2	X	X	mm	25
KIT1000006	Plug for 25mm or 1" BBH to Make Cool Thru					

AXIAL 2 POSITION UPRIGHT BORING BAR HOLDER

MX100



PartNumber	Description	# of Tools	Cool Thru	Ext Cool	Dimensions	D
NKM1852500	Axial 2 Position BBH 25mm	2	X	X	mm	25
KIT1000006	Plug for 25mm or 1" BBH to Make Cool Thru					

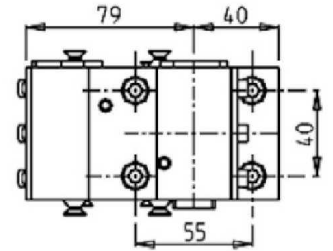
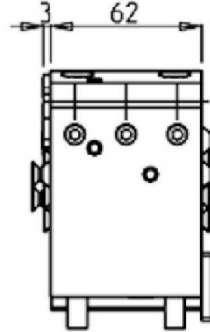
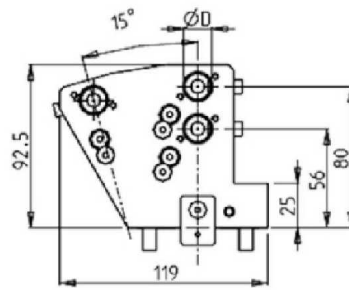
W T100 - W Y100 - W Y100II 12 ST. - SUPER NTY3 - NTY3-100 12ST. - SUPER NTMX - SUPER NTMXL - MX-5 - NTJ100 - SC100 - SC100X² - MX100

STATIC

AXIAL 3 POSITION UPRIGHT BORING BAR HOLDER

WT100 - WY100 - WY100II 12 ST. - SUPER NTY3 - NTY3-100 12 ST. - NTJ100

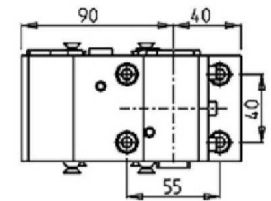
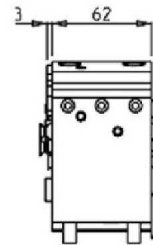
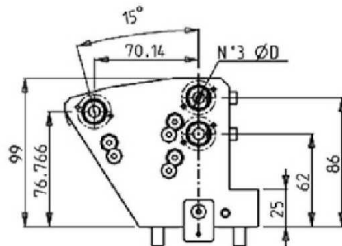
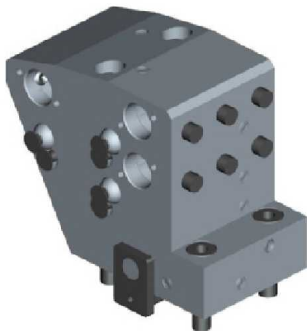
NTJ100 CAN ONLY BE USED ON THE UPPER TURRET



PartNumber	Description	# of Tools	Cool Thru	Ext Cool	Dimensions	D
NKM1041600	Axial 3 Position BBH 16mm	3	X	X	mm	16
KIT1000030	Plug for 16mm BBH to Make Cool Thru					

AXIAL 3 POSITION UPRIGHT BORING BAR HOLDER

SC100 - SC100X²



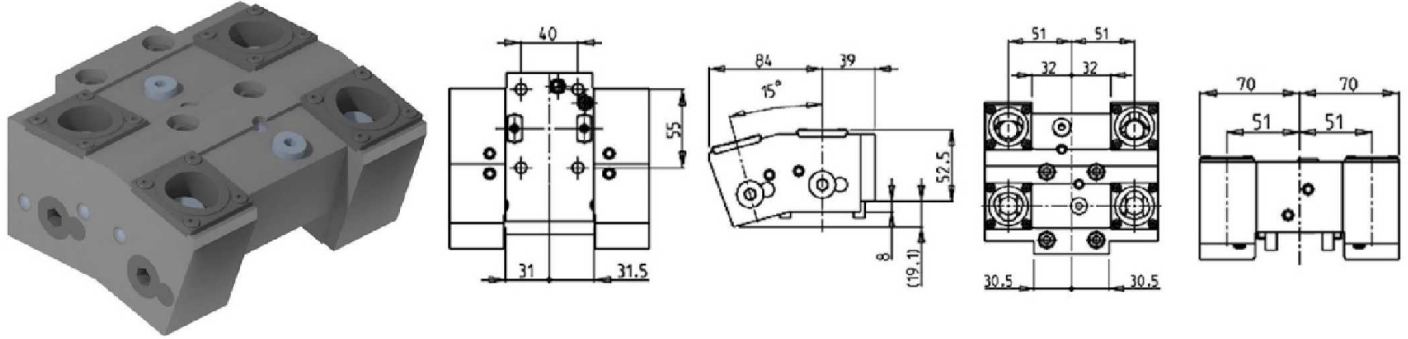
PartNumber	Description	# of Tools	Cool Thru	Ext Cool	Dimensions	D
NKM1781600	Axial 3 Position BBH 16mm	3	X	X	mm	16
KIT1000030	Plug for 16mm BBH to Make Cool Thru					

W T100 - W Y100 - W Y100II 12 ST. - SUPER NTY3 - NTY3-100 12ST. - SUPER NTMX - SUPER NTMXL - MX-5 - NTJ100 - SC100 - SC100X² - MX100

CAPTO STATIC

RADIAL MULTIPLE STATIC TOOL CAPTO C3

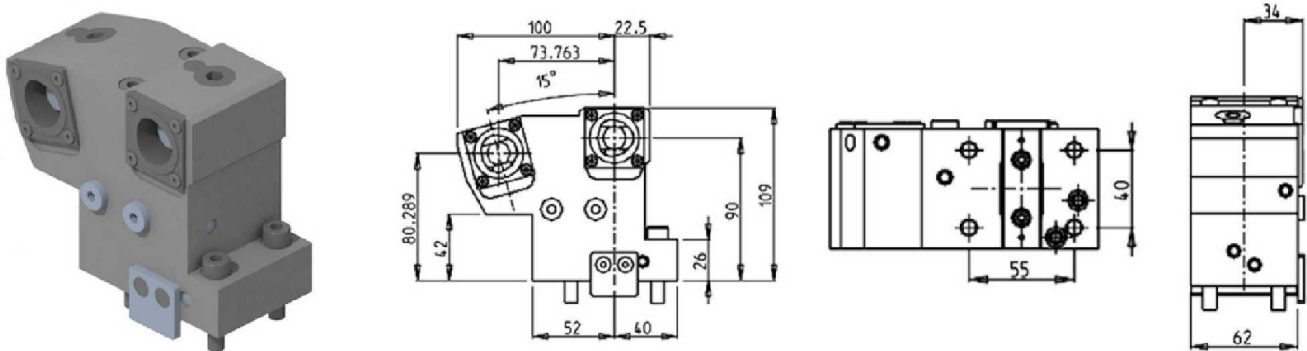
MX100



PartNumber	Description	# of Tools	Cool Thru	Ext Cool	Size
NKM1923240	Radial Multiple Static Tool Capto C3 Right Version	4	X	X	C3
NKM1923240LC	Radial Multiple Static Tool Capto C3 Left Version	4	X	X	C3

AXIAL MULTIPLE STATIC TOOL CAPTO C3

MX100



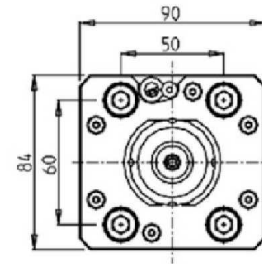
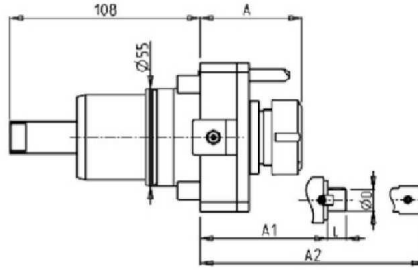
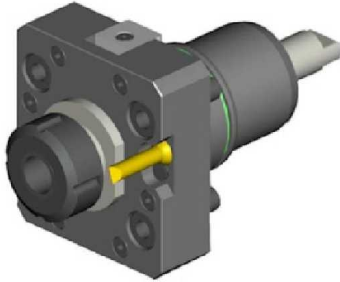
PartNumber	Description	# of Tools	Cool Thru	Ext Cool	Size
NKM1933220	Axial Multiple Static Tool Capto C3 Right Version	2	X	X	C3
NKM1933220LC	Axial Multiple Static Tool Capto C3 Left Version	2	X	X	C3

WT150/250 - WT150II/250II - WTW150 - WTS150 - SUPER NTM3 - SUPER NTJ - SUPER NTJX - SC150/200/250 - SC300II 16 ST. - JX250 - NTY3 150/250 - TW10M/MY/MM/MMY/MMYY - TW20M/MY/MM/MMY/MMYY 16 ST. - WY150/250 - AS200 15/12 ST.

DRIVEN

RADIAL DRIVEN TOOL

WT150/250 - WT150II/250II - WTW150 - WTS150 - SUPER NTM3 - SUPER NTJ - SUPER NTJX - SC150/200/250 - SC300II 16 ST. - JX250 - NTY3 150/250 - TW10M/MY/MM/MMY/MMYY - TW20M/MY/MM/MMY/MMYY 16 ST. - WY150/250 - AS200 15/12 ST.



PartNumber	Description	Spindle	RPM	I	Cool Thru	Ext Cool	A	A1	A2	D	L
NKM1830325	Radial Reinforced ERA25	ERA25	6000	1:1		X	50				
NKM1830432	Radial Reinforced ERA32 Cool Thru*	ERA32	6000	1:1	X	X	66				
NKM1830125	Radial Reinforced ER25	ER25	6000	1:1		X	59.16				
NKM1830225	Radial Reinforced ER25 Cool Thru*	ER25	6000	1:1	X	X	73.96				
NKM1830132	Radial Reinforced ER32	ER32	6000	1:1		X	64.96				
NKM1830232	Radial Reinforced ER32 Cool Thru*	ER32	6000	1:1	X	X	78.46				
NKM1830516	Radial Mill Head 16x17mm	16x17	6000	1:1		X		38		16	17
NKM1830522	Radial Mill Head 22x19mm	22x19	6000	1:1		X		39		22	19
NKM0702519	Radial Mill Head 1"x19mm	1"x19	6000	1:1		X		42		1"	19
NKM0700516	Radial Driven Tool Weldon 16	WELDON 16	6000	1:1		X			48.5		

* Coolant Thru tools are designed for 1000 psi.
They require 5 Micron Filtration and **CANNOT** be run dry.

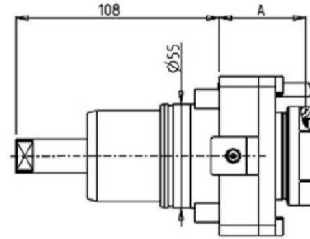
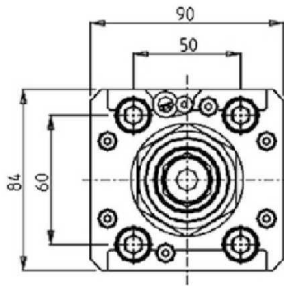
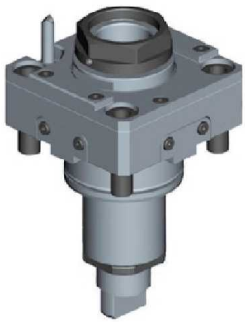
WT150/250 - WT150II/250II - WTW150 - WTS150 -SUPER NTM3 - SUPER NTJ - SUPER NTJX - SC150/200/250 - SC300II 16 ST. - JX250 - NTY3 150/250 - TW10M/MY/MM/MMY/MMYY - TW20M/MY/MM/MMY/MMYY 16 ST. - WY150/250 - AS200 15/12 ST.

DRIVEN

QUICK CHANGE RADIAL MTSK DRIVEN TOOL

WT150/250 - WT150II/250II - WTW150 - WTS150 -SUPER NTM3 - SUPER NTJ - SUPER NTJX - SC150/200/250 - SC300II 16 ST. - JX250 - NTY3 150/250 - TW10M/MY/MM/MMY/MMYY - TW20M/MY/MM/MMY/MMYY 16 ST. - WY150/250 - AS200 15/12 ST.

See Accessories for MTSK Adaptors

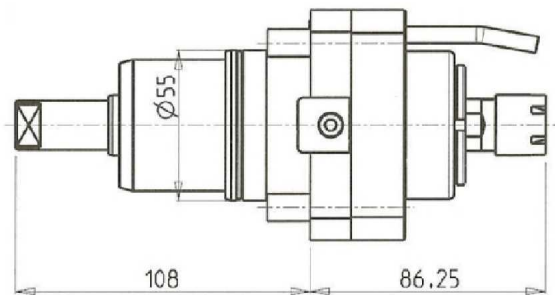
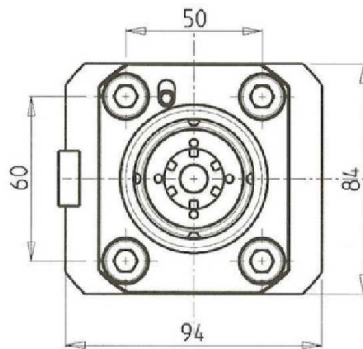
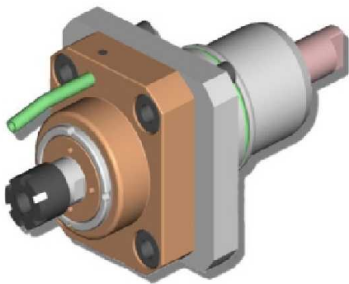


PartNumber	Description	Spindle	I	RPM	Cool Thru	Ext Cool	A
NKM1910140	Radial MTSK-40	MTSK-40	1:1	6000		X	48
NKM1350240	Radial MTSK-40 Cool Thru*	MTSK-40	1:1	6000	X	X	57

*Coolant Thru tools are designed for 400 psi MAX.
They require 5 Micron Filtration and **CANNOT** be run dry.

RADIAL GEARED-UP 1:3 DRIVEN TOOL

WT150/250 - WT150II/250II - WTW150 - WTS150 -SUPER NTM3 - SUPER NTJ - SUPER NTJX - SC150/200/250 - SC300II 16 ST. - JX250 - NTY3 150/250 - TW10M/MY/MM/MMY/MMYY - TW20M/MY/MM/MMY/MMYY 16 ST. - WY150/250 - AS200 15/12 ST.



PartNumber	Description	Spindle	I	RPM	Ext Cool
NKM0040016	Radial Geared-Up 1:3 ER16	ER16	1:3	18000	X

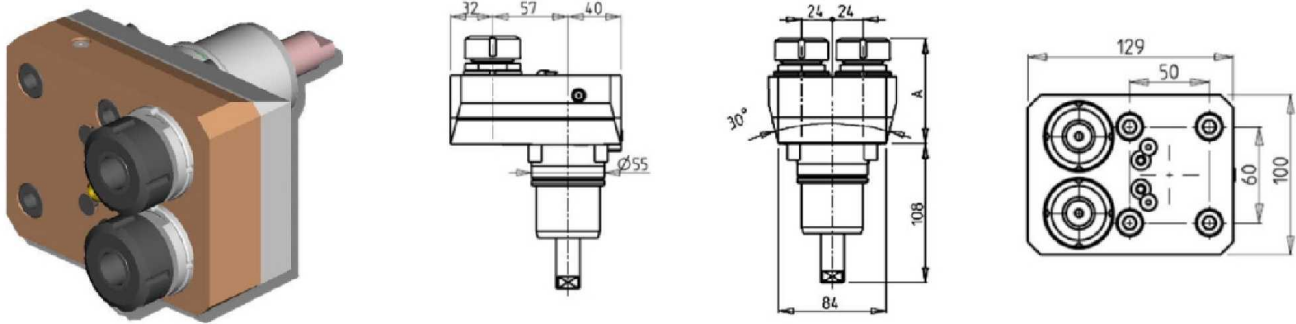
Note : Wrenches are provided with the purchase of Specialty Toolholders

WT150/250 - WT150II/250II - WTW150 - WTS150 - SUPER NTM3 - SUPER NTJ - SUPER NTJX - SC150/200/250 - SC300II 16 ST. - JX250 - NTY3 150/250 - TW10M/MY/MM/MMY/MMYY - TW20M/MY/MM/MMY/MMYY 16 ST. - WY150/250 - AS200 15/12 ST.

DRIVEN

RADIAL SINGLE-SIDE TWIN HEAD DRIVEN TOOL IN Y

WT150/250 - WT150II/250II - WTW150 - WTS150 - SUPER NTM3 - SUPER NTJ - SUPER NTJX - SC150/200/250 - SC300II 16 ST. - JX250 - NTY3 150/250 - TW10M/MY/MM/MMY/MMYY - TW20M/MY/MM/MMY/MMYY 16 ST. - WY150/250 - AS200 15/12 ST.

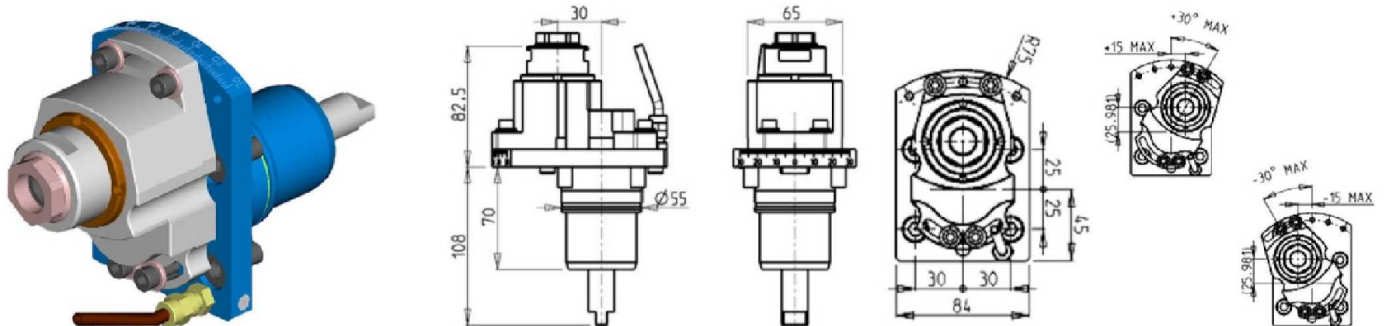


PartNumber	Description	Spindle	I	RPM	Cool Thru	Ext Cool	Reversible	A
NKM0320225	Radial Singe-Side Twin Head ER25	ER25	1:1	6000		X	X	81.46
NKM0321225	Radial Singe-Side Twin Head ER25 Cool Thru*	ER25	1:1	6000	X	X	X	94.46

* Coolant Thru tools are designed for 1000 psi. They require 5 Micron Filtration and **CANNOT** be run dry.

RADIAL ±30° ADJUSTABLE ANGLE DRIVEN TOOL REDIRECTED BY 30mm

WT150/250 - WT150II/250II - WTW150 - WTS150 - SUPER NTM3 - SUPER NTJ - SUPER NTJX - SC150/200/250 - SC300II 16 ST. - JX250 - NTY3 150/250 - TW10M/MY/MM/MMY/MMYY - TW20M/MY/MM/MMY/MMYY 16 ST. - WY150/250 - AS200 15/12 ST.



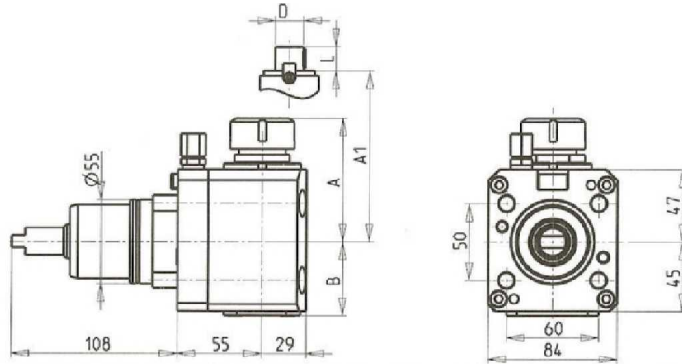
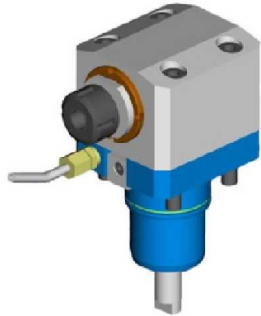
PartNumber	Description	Spindle	I	RPM	Ext Cool
NKM0621025	Radial ±30° Adjustable Angle ERA25	ERA25	1:1	6000	X

WT150/250 - WT150II/250II - WTW150 - WTS150 - SUPER NTM3 - SUPER NTJ - SUPER NTJX - SC150/200/250 - SC300II 16 ST. - JX250 - NTY3 150/250 - TW10M/MY/MM/MMY/MMYY - TW20M/MY/MM/MMY/MMYY 16 ST. - WY150/250 - AS200 15/12 ST.

DRIVEN

AXIAL DRIVEN TOOL H=55mm

WT150/250 - WT150II/250II - WTW150 - WTS150 - SUPER NTM3 - SUPER NTJ - SC150/200/250 - SC300II 16 ST. - NTY3 150/250 - TW10M/MY/MM/MMY/MMYY - TW20M/MY/MM/MMY/MMYY 16 ST. - WY150/250 - AS200 15/12 ST.



PartNumber	Description	Spindle	I	RPM	Reversible	Cool Thru	Ext Cool	A	A1	B	D	L
NKM0021420	Axial ERA20	ERA20	1:1	6000	X		X	69.23	48			
NKM0021520	Axial ERA20 Cool Thru*	ERA20	1:1	6000	X	X	X	69.23	59			
NKM0021620	Axial ER20	ER20	1:1	6000	X		X	80.16	48			
NKM0021820	Axial ER20 Cool Thru*	ER20	1:1	6000	X	X	X	80.16	59			
NKM0021425	Axial ER25	ER25	1:1	6000	X		X	80.16	48			
NKM0021625	Axial ER25 Cool Thru*	ER25	1:1	6000	X	X	X	80.16	59			
NKM0022432	Axial ER32	ER32	1:1	6000	X		X	92.16	48			
NKM0022532	Axial ER32 Cool Thru*	ER32	1:1	6000	X	X	X	92.16	57.5			
NKM0021617	Axial Mill Head 16x17mm	16x17	1:1	6000	X		X	63	48	16	17	
NKM0022219	Axial Mill Head 22x19mm	22x19	1:1	6000	X		X	63	48	22	19	
NKM0022721	Axial Mill Head 27x21mm	27x21	1:1	6000	X		X	65.5	48	27	21	
NKM0022737	Axial Mill Head 27x37mm	27x37	1:1	6000	X		X	65.5	48	27	37	

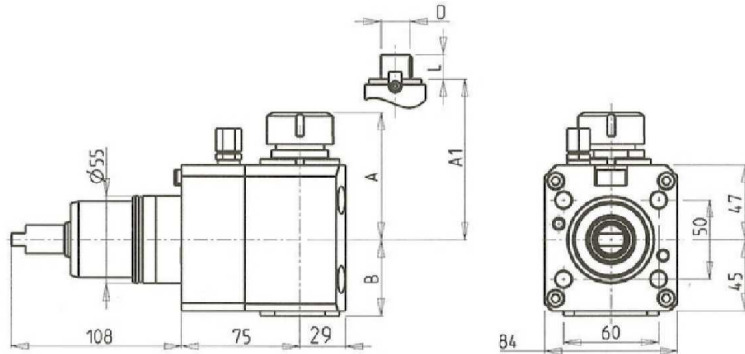
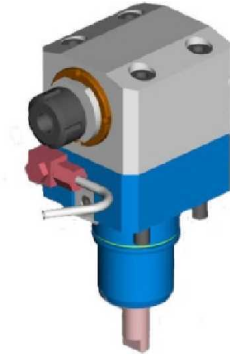
* Coolant Thru tools are designed for 1000 psi.
They require 5 Micron Filtration and **CANNOT** be run dry.

WT150/250 - WT150II/250II - WTW150 - WTS150 - SUPER NTM3 - SUPER NTJ - SUPER NTJX - SC150/200/250 - SC300II 16 ST. - JX250 - NTY3 150/250 - TW10M/MY/MM/MMY/MMYY - TW20M/MY/MM/MMY/MMYY 16 ST. - WY150/250 - AS200 15/12 ST.

DRIVEN

AXIAL DRIVEN TOOL H=75mm

WT250 - WT150II/250II - WTW150 - WTS150 - SUPER NTJX - SC150/200/250 - SC300II 16 ST. - JX250 - NTY3 150/250 - AS200 15 ST.



PartNumber	Description	Spindle	I	RPM	Reversible	Cool Thru	Ext Cool	A	A1	B	D	L
NKM0061420	Axial ERA20	ERA20	1:1	6000	X		X	69.23	48			
NKM0061520	Axial ERA20 Cool Thru*	ERA20	1:1	6000	X	X	X	69.23	59			
NKM0061620	Axial ER20	ER20	1:1	6000	X		X	80.16	48			
NKM0061820	Axial ER20 Cool Thru*	ER20	1:1	6000	X	X	X	80.16	59			
NKM0061425	Axial ER25	ER25	1:1	6000	X		X	80.16	48			
NKM0061625	Axial ER25 Cool Thru*	ER25	1:1	6000	X	X	X	80.16	59			
NKM0062432	Axial ER32	ER32	1:1	6000	X		X	92.16	48			
NKM0062532	Axial ER32 Cool Thru*	ER32	1:1	6000	X	X	X	92.16	57.5			
NKM0061617	Axial Mill Head 16x17mm	16x17	1:1	6000	X		X		63	48	16	17
NKM0062219	Axial Mill Head 22x19mm	22x19	1:1	6000	X		X		63	48	22	19
NKM0062721	Axial Mill Head 27x21mm	27x21	1:1	6000	X		X		65.5	48	27	21

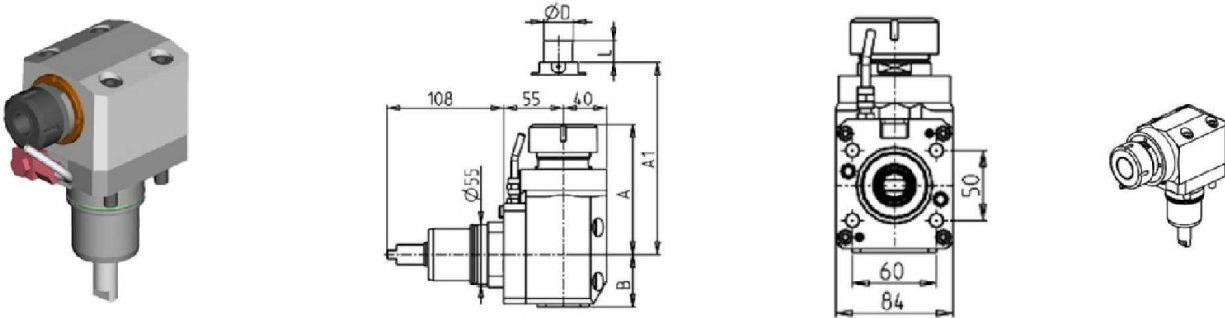
* Coolant Thru tools are designed for 1000 psi.
They require 5 Micron Filtration and **CANNOT** be run dry.

WT150/250 - WT150II/250II - WTW150 - WTS150 - SUPER NTM3 - SUPER NTJ - SUPER NTJX - SC150/200/250 - SC300II 16 ST. - JX250 - NTY3 150/250 - TW10M/MY/MM/MMY/MMYY - TW20M/MY/MM/MMY/MMYY 16 ST. - WY150/250 - AS200 15/12 ST.

DRIVEN

AXIAL REINFORCED DRIVEN TOOL H=55mm

WT150/250 - WT150II/250II - WTW150 - WTS150 - SUPER NTM3 - SUPER NTJ - SC150/200/250 - SC300II 16 ST. - NTY3 150/250 - TW10M/MY/MM/MMY/MMYY - TW20M/MY/MM/MMY/MMYY 16 ST. - WY150/250 - AS200 15/12 ST.



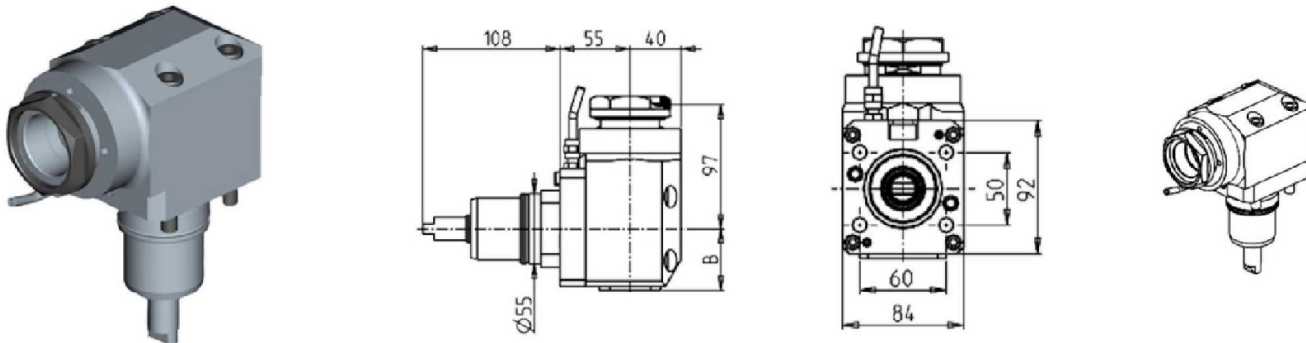
PartNumber	Description	Spindle	Reversible	I	RPM	Cool Thru	Ext Cool	A	B	A1	D	L
NKM0070140	Axial Reinforced ER40	ER40	X	1:1	6000		X	119.16	48			
NKM0070240	Axial Reinforced ER40 Cool Thru*	ER40	X	1:1	6000	X	X	119.16	58			
NKM0072519	Axial Reinforced Mill Head 1"x19	1"x19	X	1:1	6000		X		48	91.5	1"	19
NKM0072721	Axial Reinforced Mill Head 27x21	27x21	X	1:1	6000		X		48	91.5	27	20

* Coolant Thru tools are designed for 1000 psi.
They require 5 Micron Filtration and **CANNOT** be run dry.

QUICK CHANGE AXIAL MTSK REINFORCED DRIVEN TOOL H=55mm

WT150/250 - WT150II/250II - WTW150 - WTS150 - SUPER NTM3 - SUPER NTJ - SC150/200/250 - SC300II 16 ST. - NTY3 150/250 - TW10M/MY/MM/MMY/MMYY - TW20M/MY/MM/MMY/MMYY 16 ST. - WY150/250 - AS200 15/12 ST.

See Accessories for MTSK Adaptors



PartNumber	Description	Spindle	Reversible	I	RPM	Cool Thru	Ext Cool	B
NKM1000150	Axial Reinforced MTSK-50	MTSK-50	X	1:1	6000		X	48
NKM1000250	Axial Reinforced MTSK-50 Cool Thru*	MTSK-50	X	1:1	6000	X	X	58

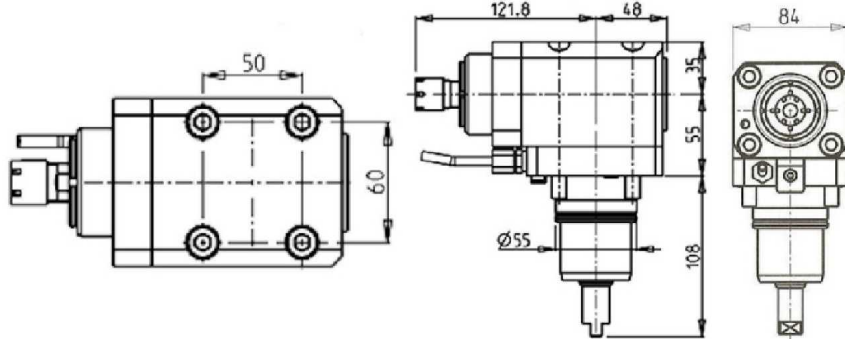
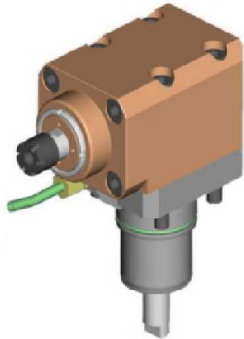
* Coolant Thru tools are designed for 1000 psi.
They require 5 Micron Filtration and **CANNOT** be run dry.

WT150/250 - WT150II/250II - WTW150 - WTS150 - SUPER NTM3 - SUPER NTJ - SUPER NTJX - SC150/200/250 - SC300II 16 ST. - JX250 - NTY3 150/250 - TW10M/MY/MM/MMY/MMYY - TW20M/MY/MM/MMY/MMYY 16 ST. - WY150/250 - AS200 15/12 ST.

DRIVEN

AXIAL GEARED-UP 1:3 DRIVEN TOOL H=55mm

WT150/250 - WT150II/250II - WTW150 - WTS150 - SUPER NTM3 - SUPER NTJ - SC150/200/250 - SC300II 16 ST. - NTY3 150/250 - TW10M/MY/MM/MMY/MMYY - TW20M/MY/MM/MMY/MMYY 16 ST. - WY150/250 - AS200 15/12 ST.

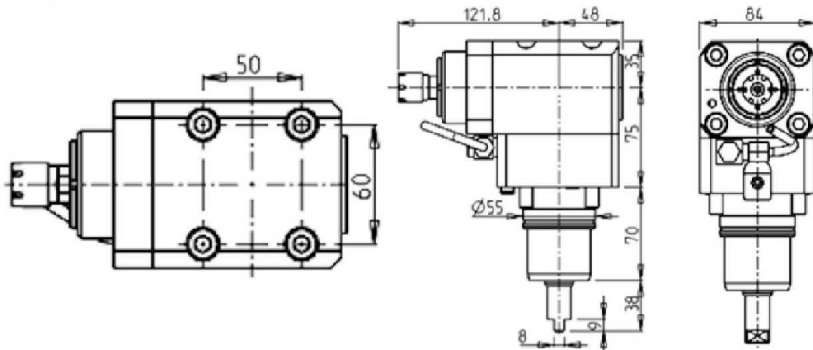
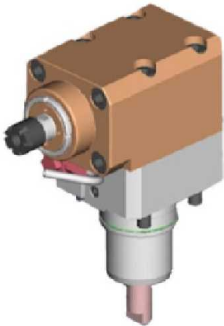


PartNumber	Description	Spindle	I	RPM	Reversible	Ext Cool
NKM0050016	Axial Geared-Up 1:3 ER16	ER16	1:3	18000	X	X

Note : Wrenches are provided with the purchase of Specialty Toolholders

AXIAL GEARED-UP 1:3 DRIVEN TOOL H=75mm

WT250 - WT150II/250II - WTW150 - WTS150 - SUPER NTJX - SC150/200/250 - SC300II 16 ST. - JX250 - NTY3 150/250



PartNumber	Description	Spindle	I	RPM	Reversible	Ext Cool
NKM0050216	Axial Geared-Up 1:3 ER16	ER16	1:3	18000	X	X

Note : Wrenches are provided with the purchase of Specialty Toolholders

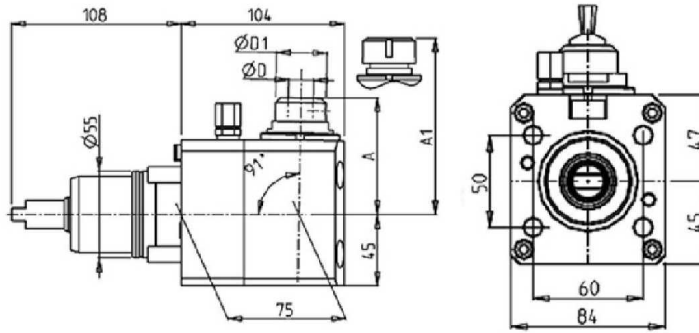
WT150/250 - WT150II/250II - WTW150 - WTS150 - SUPER NTM3 - SUPER NTJ - SUPER NTJX - SC150/200/250 - SC300II 16 ST. - JX250 - NTY3 150/250 - TW10M/MY/MM/MMY/MMYY - TW20M/MY/MM/MMY/MMYY 16 ST. - WY150/250 - AS200 15/12 ST.

DRIVEN

AXIAL DRIVEN TOOL FOR INTERNAL POLYGON MAKING H=75mm

WT250 - WT150II/250II - WTW150 - WTS150 - SUPER NTJX - SC150/200/250 - SC300II 16 ST. - JX250 - NTY3 150/250

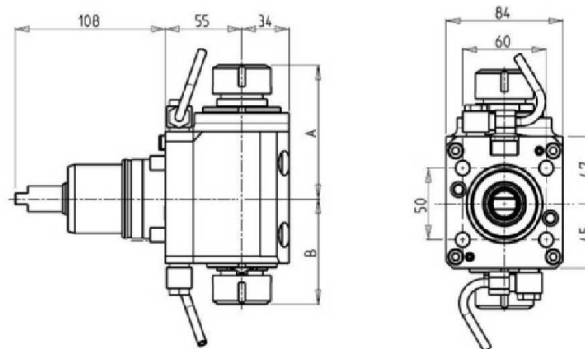
See Accessories for Mill Heads



PartNumber	Description	Spindle	Reversible	I	RPM	Ext Cool	A	A1	D	D1
NKM0069125	Axial ER25	ER25	X	1:1	6000	X		80.44		
NKM0069108	Axial Weldon 8	Weldon 8	X	1:1	6000	X	76.5		8	29
NKM0069110	Axial Weldon 10	Weldon 10	X	1:1	6000	X	76.5		10	29
NKM0069112	Axial Weldon 12	Weldon 12	X	1:1	6000	X	76.5		12	29
NKM0069116	Axial Weldon 16	Weldon 16	X	1:1	6000	X	73.7		16	32

AXIAL OPPOSITE FACE DRIVEN TOOL H=55mm

WT150/250 - WT150II/250II - WTW150 - WTS150 - SUPER NTM3 - SUPER NTJ - SC150/200/250 - SC300II 16 ST. - NTY3 150/250 - TW10M/MY/MM/MMY/MMYY - TW20M/MY/MM/MMY/MMYY 16 ST. - WY150/250 - AS200 15/12 ST.



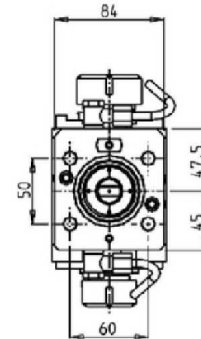
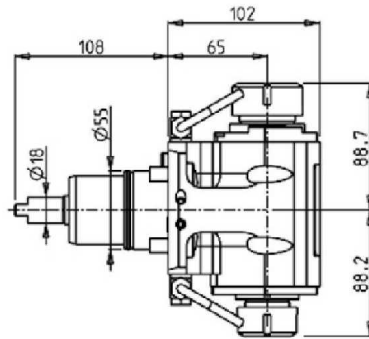
PartNumber	Description	Spindle	Reversible	I	RPM	Ext Cool	A	B
NKM0492525	Axial Opposite Face ER25+ER25	ER25+ER25	X	1:1	6000	X	93.36	73.46
NKM0493232	Axial Opposite Face ER32+ER32	ER32+ER32	X	1:1	6000	X	100.56	78.96

WT150/250 - WT150II/250II - WTW150 - WTS150 - SUPER NTM3 - SUPER NTJ - SUPER NTJX - SC150/200/250 - SC300II 16 ST. - JX250 - NTY3 150/250 - TW10M/MY/MM/MMY/MMYY - TW20M/MY/MM/MMY/MMYY 16 ST. - WY150/250 - AS200 15/12 ST.

DRIVEN

AXIAL OPPOSITE FACE TWIN DRIVEN TOOL H=65mm

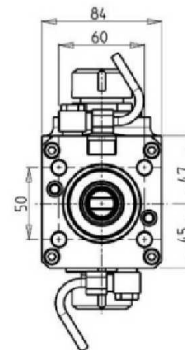
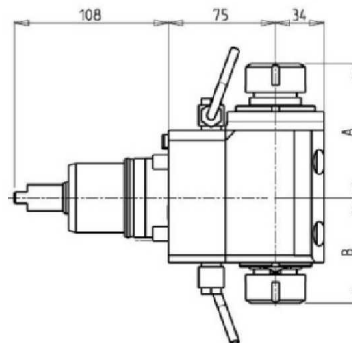
WT150/250 - WT150II/250II - WTW150 - WTS150 - SUPER NTM3 - SUPER NTJ - SC150/200/250 - SC300II 16 ST. - NTY3 150/250 - TW10M/MY/MM/MMY/MMYY - TW20M/MY/MM/MMY/MMYY 16 ST. - WY150/250 - AS200 15/12 ST.



PartNumber	Description	Spindle	I	RPM	Reversible	Ext Cool
NKM2103225	Axial Opposite Face ER32+ER25	ER32+ER25	1:1	6000	X	X

AXIAL OPPOSITE FACE DRIVEN TOOL H=75mm

WT250 - WT150II/250II - WTW150 - WTS150 - SUPER NTJX - SC150/200/250 - SC300II 16 ST. - JX250 - NTY3 150/250



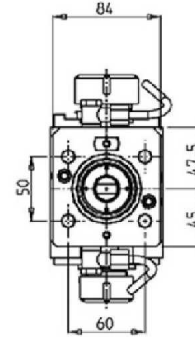
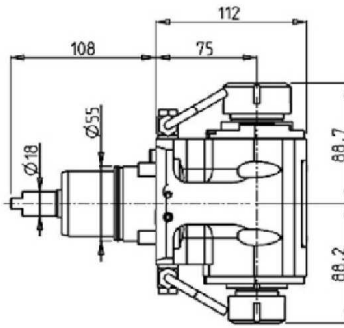
PartNumber	Description	Spindle	Reversible	I	RPM	Ext Cool	A	B
NKM0502525	Axial Opposite Face ER25+ER25	ER25+ER25	X	1:1	6000	X	93.36	73.46
NKM0503232	Axial Opposite Face ER32+ER32	ER32+ER32	X	1:1	6000	X	100.56	78.96

WT150/250 - WT150II/250II - WTW150 - WTS150 - SUPER NTM3 - SUPER NTJ - SUPER NTJX - SC150/200/250 - SC300II 16 ST. - JX250 - NTY3 150/250 - TW10M/MY/MM/MMY/MMYY - TW20M/MY/MM/MMY/MMYY 16 ST. - WY150/250 - AS200 15/12 ST.

DRIVEN

AXIAL OPPOSITE FACE TWIN DRIVEN TOOL H=75mm

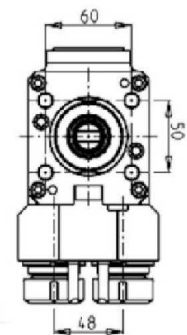
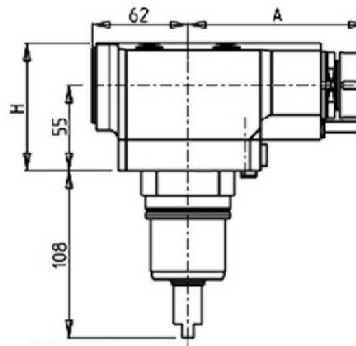
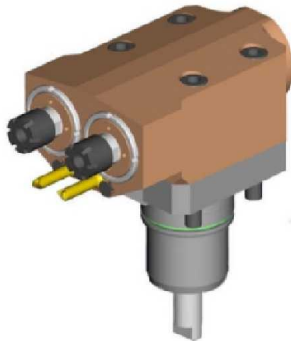
WT250 - WT150II/250II - WTW150 - WTS150 - SUPER NTJX - SC150/200/250 - SC300II 16 ST. - JX250 - NTY3 150/250



PartNumber	Description	Spindle	I	RPM	Reversible	Ext Cool
NKM1403225	Axial Opposite Face ER32+ER25	ER32+ER25	1:1	6000	X	X

AXIAL SINGLE-SIDE TWIN HEAD DRIVEN TOOL IN Y H=55mm

WT150/250 - WT150II/250II - WTW150 - WTS150 - SUPER NTM3 - SUPER NTJ - SC150/200/250 - SC300II 16 ST. - NTY3 150/250 - TW10M/MY/MM/MMY/MMYY - TW20M/MY/MM/MMY/MMYY 16 ST. - WY150/250 - AS200 15/12 ST.



PartNumber	Description	Spindle	I	RPM	Reversible	Cool Thru	Ext Cool	A	H
NKM0130216	Axial Single-Side Twin ER16	ER16	1:1	6000	X		X	115.15	82
NKM0130520	Axial Single-Side Twin ERA20 Cool Thru*	ERA20	1:1	6000	X	X	X	116.15	87
NKM0130225	Axial Single-Side Twin ER25	ER25	1:1	6000	X		X	115.61	82
NKM0130425	Axial Single-Side Twin ER25 Cool Thru*	ER25	1:1	6000	X	X	X	128.11	87

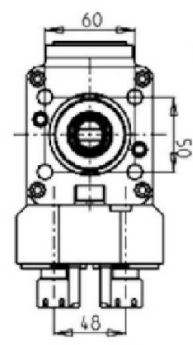
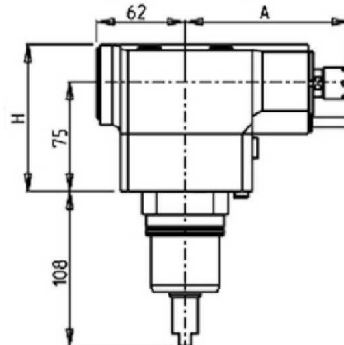
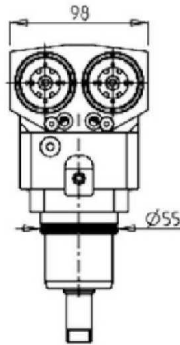
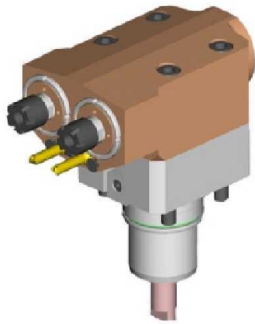
* Coolant Thru tools are designed for 1000 psi. They require 5 Micron Filtration and **CANNOT** be run dry.

WT150/250 - WT150II/250II - WTW150 - WTS150 - SUPER NTM3 - SUPER NTJ - SUPER NTJX - SC150/200/250 - SC300II 16 ST. - JX250 - NTY3 150/250 - TW10M/MY/MM/MMY/MMYY - TW20M/MY/MM/MMY/MMYY 16 ST. - WY150/250 - AS200 15/12 ST.

DRIVEN

AXIAL SINGLE-SIDE TWIN HEAD DRIVEN TOOL IN Y H=75mm

WT250 - WT150II/250II - WTW150 - WTS150 - SUPER NTJX - SC150/200/250 - SC300II 16 ST. - JX250 - NTY3 150/250 - AS200MY 15 ST.



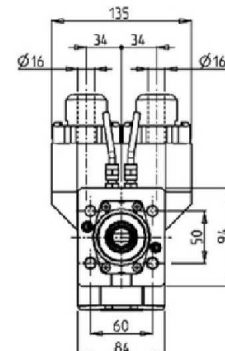
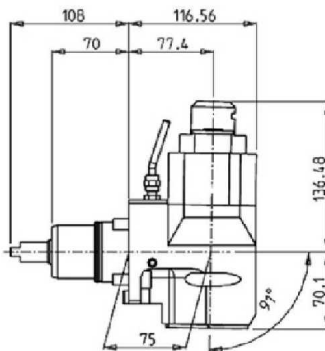
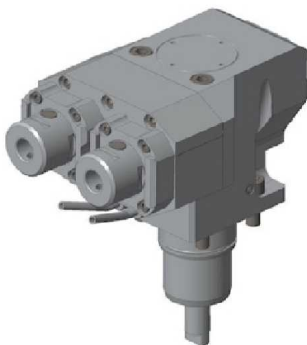
PartNumber	Description	Spindle	I	RPM	Reversible	Cool Thru	Ext Cool	A	H
NKM0131216	Axial Single-Side Twin ER16	ER16	1:1	6000	X		X	115.15	102
NKM0131520	Axial Single-Side Twin ERA20 Cool Thru*	ERA20	1:1	6000	X	X	X	116.15	107
NKM0131225	Axial Single-Side Twin ER25	ER25	1:1	6000	X		X	115.61	102
NKM0131425	Axial Single-Side Twin ER25 Cool Thru*	ER25	1:1	6000	X	X	X	128.11	107

* Coolant Thru tools are designed for 1000 psi. They require 5 Micron Filtration and **CANNOT** be run dry.

AXIAL SINGLE SIDE TWIN HEAD DRIVEN TOOL IN Y FOR INTERNAL POLYGON-MAKING H=75mm

WT250 - WTW150 - WTS150 - SUPER NTJX - SC150/200/250 - SC300II 16 ST. - JX250 - AS200MY 15 ST.

See Accessories for Mill Heads



PartNumber	Description	Spindle	I	RPM	Reversible	Ext Cool
NKM1250616	Axial Single Side Twin Weldon 16	WELDON 16	1:1	6000	X	X

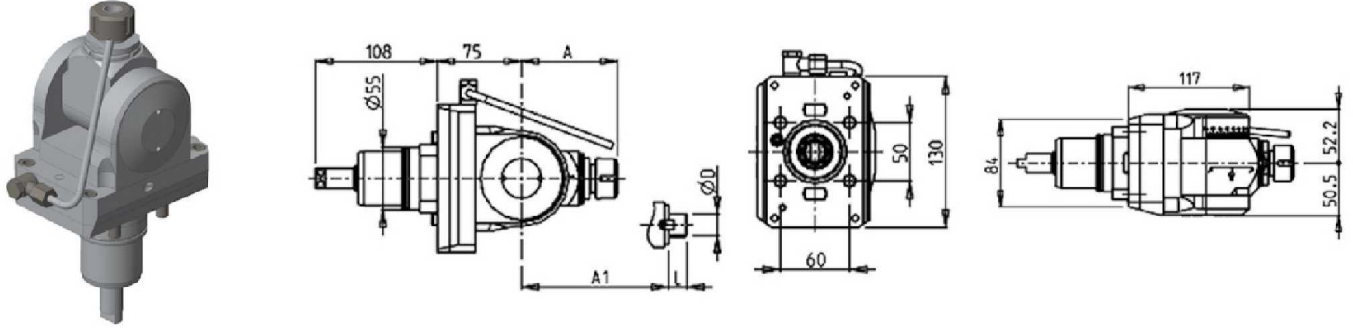
Note : Wrenches are provided with the purchase of Specialty Toolholders

WT150/250 - WT150II/250II - WTW150 - WTS150 -SUPER NTM3 - SUPER NTJ - SUPER NTJX - SC150/200/250 - SC300II 16 ST. - JX250 - NTY3 150/250 - TW10M/MY/MM/MMY/MMYY - TW20M/MY/MM/MMY/MMYY 16 ST. - WY150/250 - AS200 15/12 ST.

DRIVEN

0-180 ADJUSTABLE ANGLE DRIVEN TOOL

WT150/250 - WT150II/250II - WTW150 - WTS150 -SUPER NTM3 - SUPER NTJ - SUPER NTJX - SC150/200/250 - JX250 - NTY3 150/250 - TW10M/MY/MM/MMY/MMYY - TW20M/MY/MM/MMY/MMYY 16 ST. - AS200 15/12 ST.



PartNumber	Description	Spindle	I	RPM	Ext Cool	A	A1	D	L
NKM1260120	0-180 Adj. Angle ER20	ER20	1:1	6000	X	85.16			
NKM1260125	0-180 Adj. Angle ER25	ER25	1:1	6000	X	86.16			
NKM1260519	0-180 Adj. Angle 3/4"x3/4"	3/4"x3/4"	1:1	6000	X		65	3/4"	3/4"
NKM1260516	0-180 Adj. Angle 16x17mm	16x17	1:1	6000	X		65	16	17
NKM1260522	0-180 Adj. Angle 22x19mm	22x19	1:1	6000	X		66	22	19

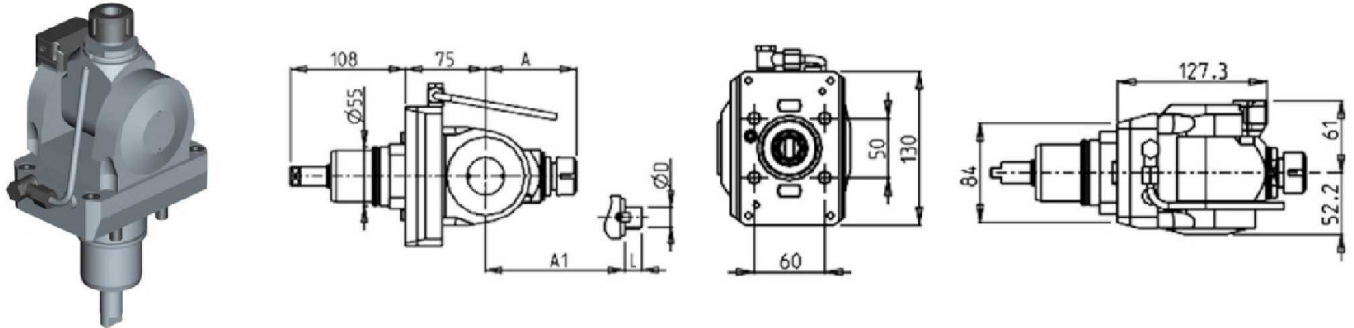
Note : Wrenches are provided with the purchase of Specialty Toolholders

WT150/250 - WT150II/250II - WTW150 - WTS150 -SUPER NTM3 - SUPER NTJ - SUPER NTJX - SC150/200/250 - SC300II 16 ST. - JX250 - NTY3 150/250 - TW10M/MY/MM/MMY/MMYY - TW20M/MY/MM/MMY/MMYY 16 ST. - WY150/250 - AS200 15/12 ST.

DRIVEN

0-180 ADJUSTABLE ANGLE DRIVEN TOOL WITH DIGITAL DISPLAY

WT150/250 - WT150II/250II - WTW150 - WTS150 -SUPER NTM3 - SUPER NTJ - SUPER NTJX - SC150/200/250 - JX250 - NTY3 150/250 - TW10M/MY/MM/MMY/MMYY - TW20M/MY/MM/MMY/MMYY 16 ST. - AS200 15/12 ST.

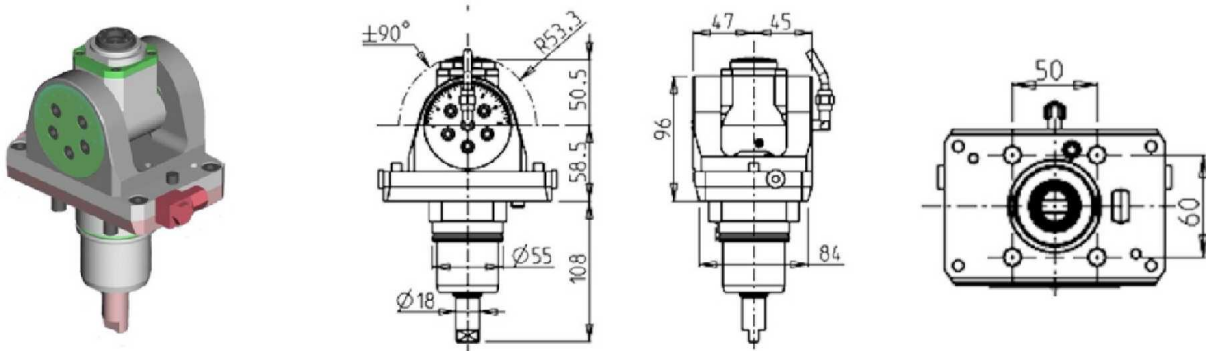


PartNumber	Description	Spindle	I	RPM	Ext Cool	A	A1	D	L
NKM1220120	0-180 Adj. Angle ER20 with Digital Display	ER20	1:1	6000	X	85.16			
NKM1220125	0-180 Adj. Angle ER25 with Digital Display	ER25	1:1	6000	X	86.16			
NKM1220519	0-180 Adj. Angle 3/4"x3/4" with Digital Display	3/4"x3/4"	1:1	6000	X		65	3/4"	3/4"
NKM1220516	0-180 Adj. Angle 16x17mm with Digital Display	16x17	1:1	6000	X		65	16	17
NKM1220522	0-180 Adj. Angle 22x19mm with Digital Display	22x19	1:1	6000	X		66	22	19

Note : Wrenches are provided with the purchase of Specialty Toolholders

0-180 ADJUSTABLE ANGLE DRIVEN TOOL

WT150/250 - WT150II/250II - WTW150 - WTS150 -SUPER NTM3 - SUPER NTJ - SUPER NTJX - SC150/200/250 - SC300II 16 ST. - JX250 - NTY3 150/250 - TW10M/MY/MM/MMY/MMYY - TW20M/MY/MM/MMY/MMYY 16 ST. - AS200 15/12 ST.



PartNumber	Description	Spindle	I	RPM	Cool Thru	Ext Cool
NKM0790120	Adj. Angle (0-180) ERA20	ERA20	1:1	6000		X
NKM0790220	Adj. Angle (0-180) ERA20 Cool Thru*	ERA20	1:1	6000	X	X

* Coolant Thru tools are designed for 1000 psi. They require 5 Micron Filtration and **CANNOT** be run dry.

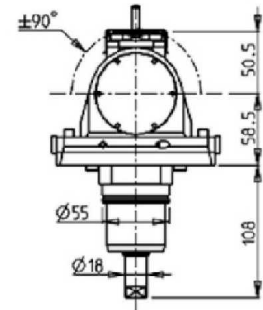
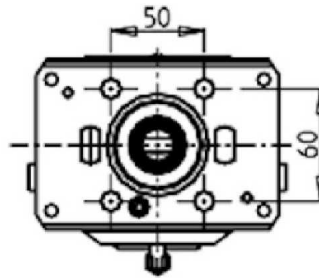
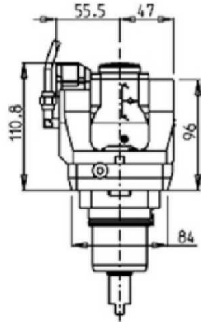
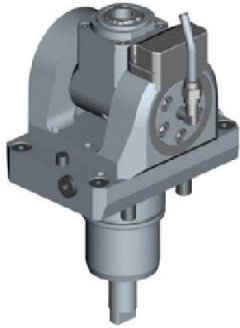
Note : Wrenches are provided with the purchase of Specialty Toolholders

WT150/250 - WT150II/250II - WTW150 - WTS150 -SUPER NTM3 - SUPER NTJ - SUPER NTJX - SC150/200/250 - SC300II 16 ST. - JX250 - NTY3 150/250 - TW10M/MY/MM/MMY/MMYY - TW20M/MY/MM/MMY/MMYY 16 ST. - WY150/250 - AS200 15/12 ST.

DRIVEN

0-180 ADJUSTABLE ANGLE DRIVEN TOOL WITH DIGITAL DISPLAY

WT150/250 - WT150II/250II - WTW150 - WTS150 -SUPER NTM3 - SUPER NTJ - SUPER NTJX - SC150/200/250 - SC300II 16 ST. - JX250 - NTY3 150/250 - TW10M/MY/MM/MMY/MMYY - TW20M/MY/MM/MMY/MMYY 16 ST. - AS200 15/12 ST.



PartNumber	Description	Spindle	I	RPM	Cool Thru	Ext Cool
NKM0795120	0-180 Adj. Angle ERA20 with Digital Display	ERA20	1:1	6000		X
NKM0795220	0-180 Adj. Angle ERA20 with Digital Display Cool Thru	ERA20	1:1	6000	X	X

* Coolant Thru tools are designed for 1000 psi.
They require 5 Micron Filtration and **CANNOT** be run dry.

Note :

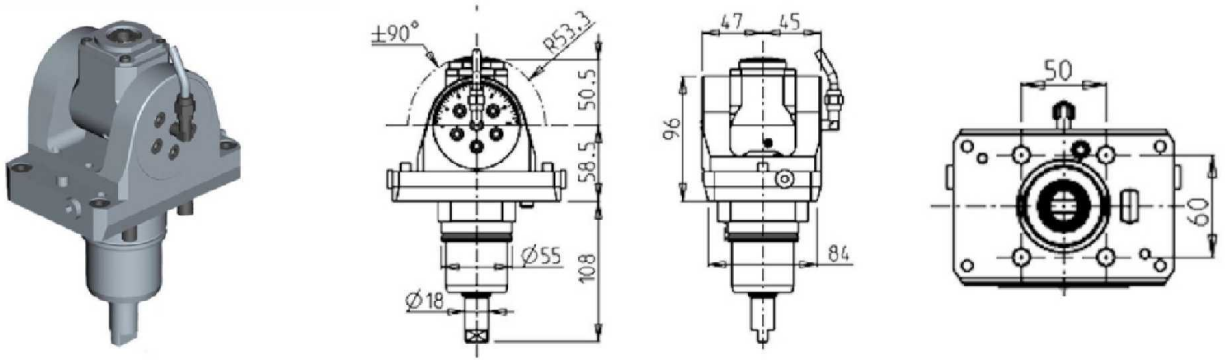
Wrenches are provided with the purchase of Specialty Toolholders

WT150/250 - WT150II/250II - WTW150 - WTS150 -SUPER NTM3 - SUPER NTJ - SUPER NTJX - SC150/200/250 - SC300II 16 ST. - JX250 - NTY3 150/250 - TW10M/MY/MM/MMY/MMYY - TW20M/MY/MM/MMY/MMYY 16 ST. - WY150/250 - AS200 15/12 ST.

DRIVEN

0-180 ADJUSTABLE ANGLE DRIVEN TOOL GEARED UP 1:2

WT150/250 - WT150II/250II - WTW150 - WTS150 -SUPER NTM3 - SUPER NTJ - SUPER NTJX - SC150/200/250 - SC300II 16 ST. - JX250 - NTY3 150/250 - TW10M/MY/MM/MMY/MMYY - TW20M/MY/MM/MMY/MMYY 16 ST. - AS200 15/12 ST.



PartNumber	Description	Spindle	I	RPM	Cool Thru	Ext Cool
NKM0790316	Adj. Angle (0-180) Geared-Up 1:2 ERA16	ERA16	1:2	12000		X
NKM0790416	Adj. Angle (0-180) Geared-Up 1:2 ERA16 Cool Thru*	ERA16	1:2	12000	X	X

* Coolant Thru tools are designed for 1000 psi.
They require 5 Micron Filtration and **CANNOT** be run dry.

Note :

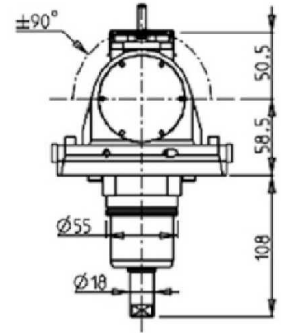
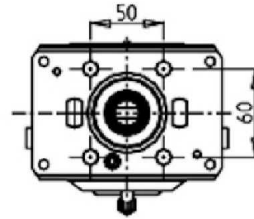
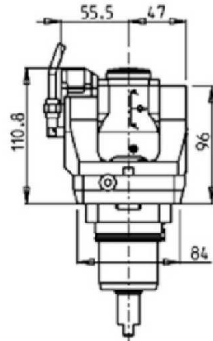
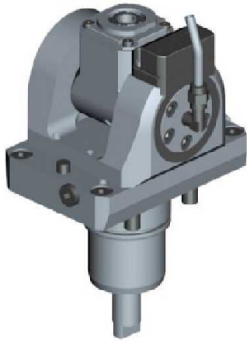
Wrenches are provided with the purchase of Specialty Toolholders

WT150/250 - WT150II/250II - WTW150 - WTS150 -SUPER NTM3 - SUPER NTJ - SUPER NTJX - SC150/200/250 - SC300II 16 ST. - JX250 - NTY3 150/250 - TW10M/MY/MM/MMY/MMYY - TW20M/MY/MM/MMY/MMYY 16 ST. - WY150/250 - AS200 15/12 ST.

DRIVEN

0-180 ADJUSTABLE ANGLE DRIVEN TOOL GEARED UP 1:2 WITH DIGITAL DISPLAY

WT150/250 - WT150II/250II - WTW150 - WTS150 -SUPER NTM3 - SUPER NTJ - SUPER NTJX - SC150/200/250 - SC300II 16 ST. - JX250 - NTY3 150/250 - TW10M/MY/MM/MMY/MMYY - TW20M/MY/MM/MMY/MMYY 16 ST. - AS200 15/12 ST.



PartNumber	Description	Spindle	I	RPM	Cool Thru	Ext Cool
NKM0795316	0-180 Adj. Angle ERA16 Geared-Up with Digital Display	ERA16	1:2	12000		X
NKM0795416	0-180 Adj. Angle ERA16 Geared-Up with Digital Display Cool Thru	ERA16	1:2	12000	X	X

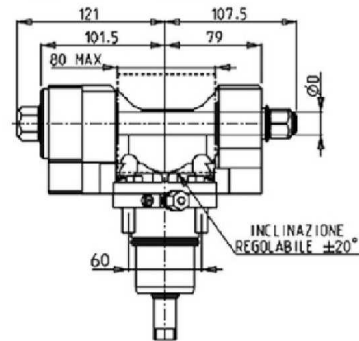
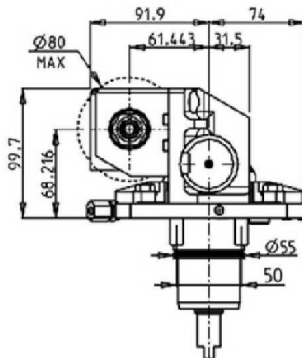
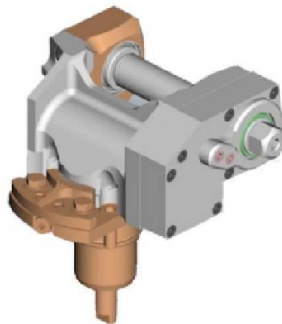
* Coolant Thru tools are designed for 1000 psi. They require 5 Micron Filtration and **CANNOT** be run dry.

Note :

Wrenches are provided with the purchase of Specialty Toolholders

GEAR HOBBER DRIVEN TOOL

WT150/250 - WT150II/250II - WTW150 - WTS150 -SUPER NTM3 - SUPER NTJ - SUPER NTJX - SC150/200/250 - SC300II 16 ST. - JX250 - NTY3 150/250 - TW10M/MY/MM/MMY/MMYY - TW20M/MY/MM/MMY/MMYY 16 ST. - AS200 15/12 ST.



PartNumber	Description	I	MAX RPM	Reversible	Ext Cool	D mm	D Inch
NKM0081100	Gear Hobbing Tool 1:1	1:1	6000	X	X	16-22-27-32	3/4"-1"-1 1/4"
NKM0082100	Gear Hobbing Tool 2:1 Geared Down	2:1	3000	X	X	16-22-27-32	3/4"-1"-1 1/4"

Note :

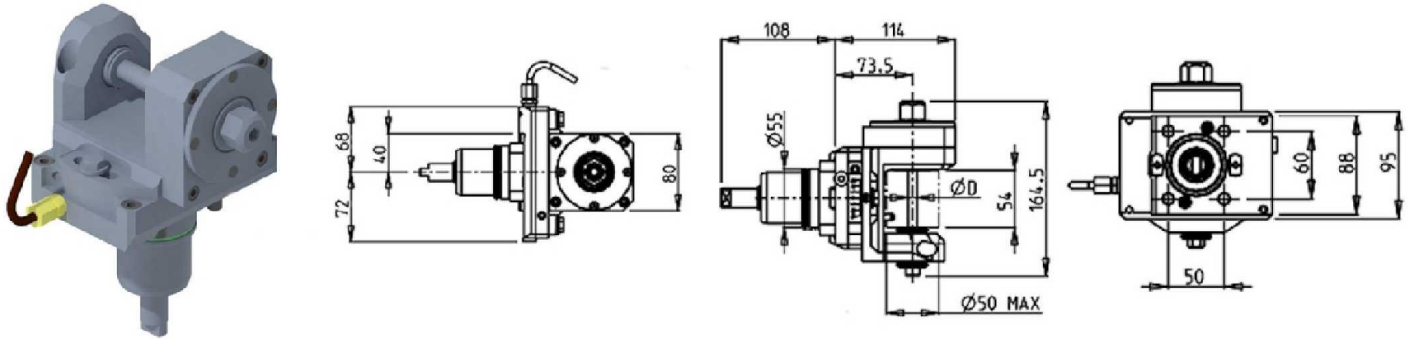
Wrenches are provided with the purchase of Specialty Toolholders

WT150/250 - WT150II/250II - WTW150 - WTS150 -SUPER NTM3 - SUPER NTJ - SUPER NTJX - SC150/200/250 - SC300II 16 ST. - JX250 - NTY3 150/250 - TW10M/MY/MM/MMY/MMYY - TW20M/MY/MM/MMY/MMYY 16 ST. - WY150/250 - AS200 15/12 ST.

DRIVEN

RADIAL DRIVEN GEAR HOBBER

WT150/250 - WT150II/250II - WTW150 - WTS150 -SUPER NTM3 - SUPER NTJ - SUPER NTJX - SC150/200/250 - SC300II 16 ST. - JX250 - NTY3 150/250 - TW10M/MY/MM/MMY/MMYY - TW20M/MY/MM/MMY/MMYY 16 ST. - AS200 15/12 ST.



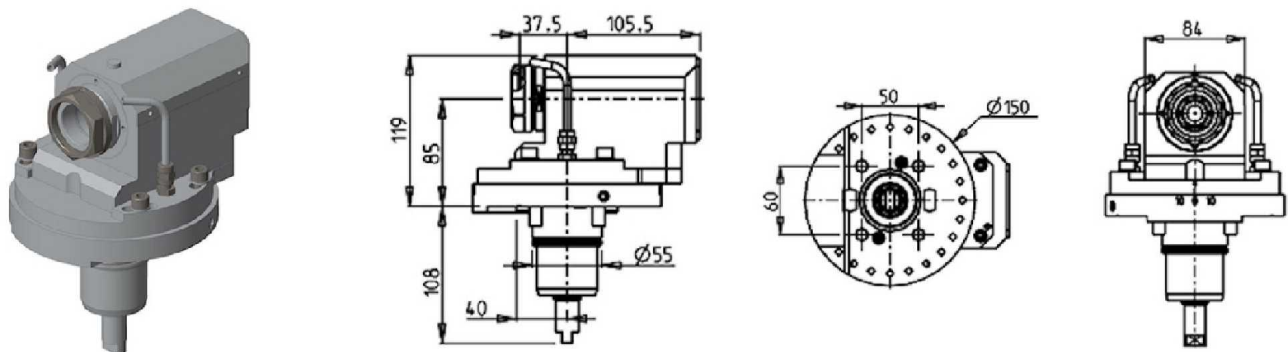
PartNumber	Description	I	MAX RPM	Reversible	Ext Cool	D (mm)
NKM1941108	Radial Driven Gear Hobber1:1 D=8mm	1:1	6000	X	X	8
NKM1941110	Radial Driven Gear Hobber1:1 D=10mm	1:1	6000	X	X	10
NKM1941113	Radial Driven Gear Hobber1:1 D=13mm	1:1	6000	X	X	13
NKM1941116	Radial Driven Gear Hobber1:1 D=16mm	1:1	6000	X	X	16

Note : Wrenches are provided with the purchase of Specialty Toolholders

QUICK CHANGE AXIAL MTSK DRIVEN TOOL FOR POWER SKIVING H=85mm

WT150/250 - WT150II/250II - WTW150 - WTS150 -SUPER NTM3 - SUPER NTJ - SUPER NTJX - SC150/200/250 - SC300II 16 ST. - NTY3 150/250 - TW10M/MY/MM/MMY/MMYY - TW20M/MY/MM/MMY/MMYY 16 ST. - WY150/250 - AS200MY 15/12 ST.

See Accessories for MTSK Adaptors



PartNumber	Description	Spindle	I	RPM	Reversible	Ext Cool
NKM1240100	Axial MTSK-40 for Power Skiving	MTSK-40	1:1	6000	X	X

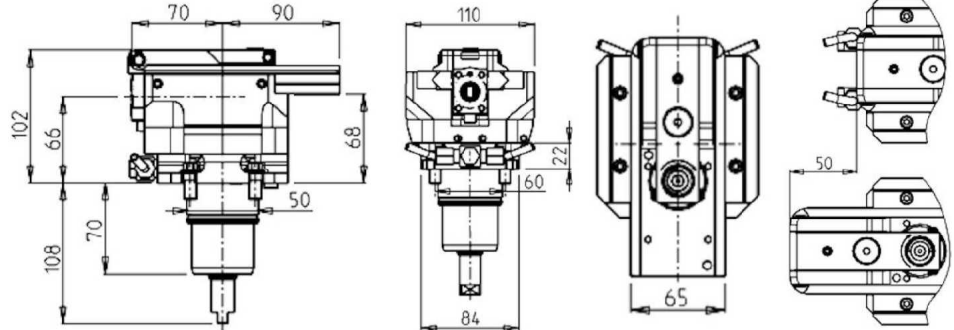
Note : Wrenches are provided with the purchase of Specialty Toolholders

WT150/250 - WT150II/250II - WTW150 - WTS150 - SUPER NTM3 - SUPER NTJ - SUPER NTJX - SC150/200/250 - SC300II 16 ST. - JX250 - NTY3 150/250 - TW10M/MY/MM/MMY/MMYY - TW20M/MY/MM/MMY/MMYY 16 ST. - WY150/250 - AS200 15/12 ST.

DRIVEN

BROACHING/SLOTING DRIVEN TOOL 50mm STROKE H=66mm

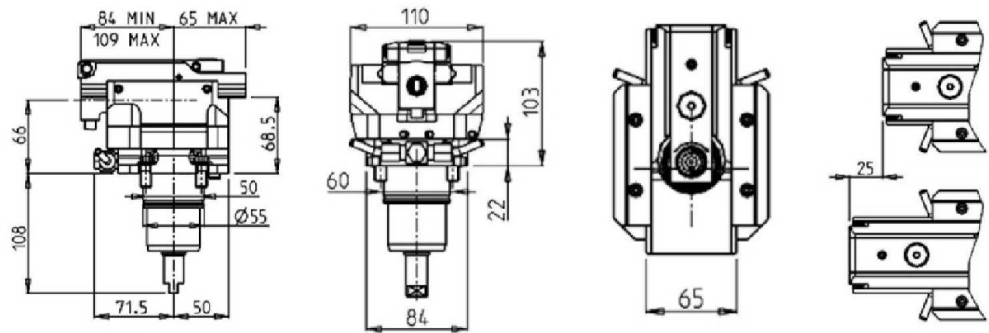
WT150 - SUPER NTM3 - SUPER NTJ - SC300II 16 ST. - WY150/250 - AS200 15 ST.



PartNumber	Description	Reversible	I	MAX RPM	Ext Cool
NKM0910100	Broaching/Slotting Driven Tool H=66mm	X	4:1	2000	X

BROACHING/SLOTING DRIVEN TOOL 25mm STROKE H=66mm

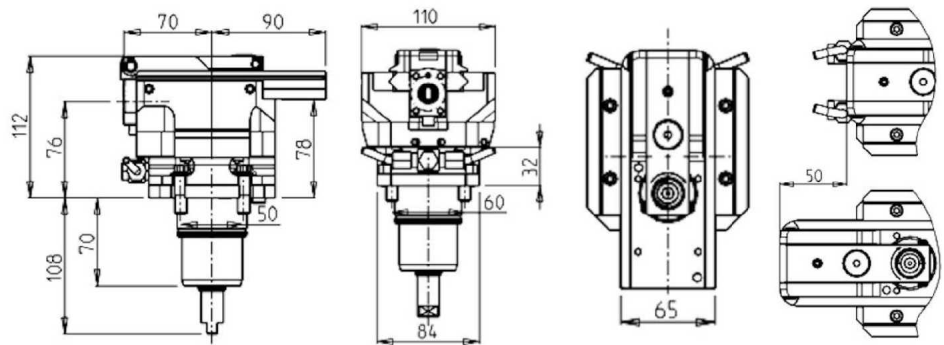
WT150 - SUPER NTM3 - SUPER NTJ - SC300II 16 ST. - WY150/250 - AS200 15 ST.



PartNumber	Description	Reversible	I	MAX RPM	Ext Cool
NKM0910200	Broaching/Slotting Driven Tool H=66mm	X	4:1	2400	X

BROACHING/SLOTING DRIVEN TOOL 50mm STROKE H=76mm

WT250 - WT150II/250II - WTW150 - WTS150 - SUPER NTJX - SC150/200/250 - SC300II 16 ST. - JX250 - NTY3 150/250



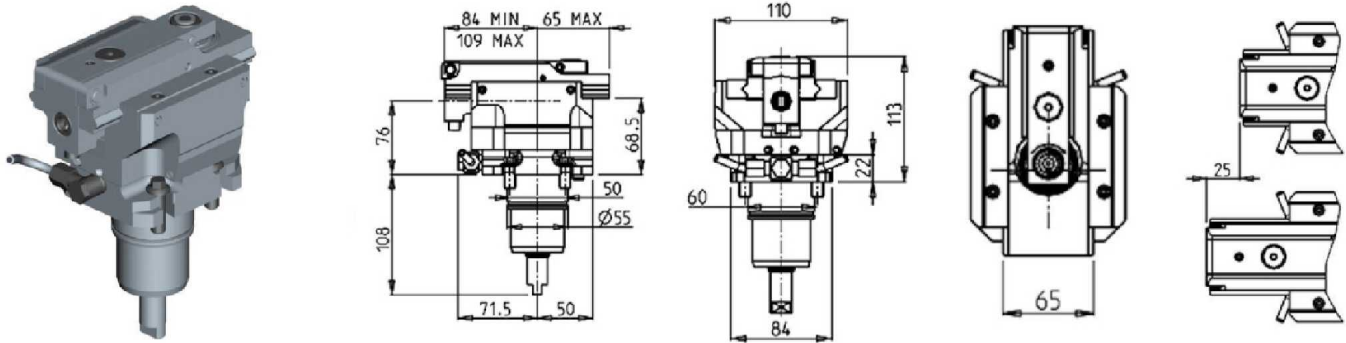
PartNumber	Description	Reversible	I	MAX RPM	Ext Cool
NKM0920100	Broaching/Slotting Driven Tool H=76mm	X	4:1	2000	X

WT150/250 - WT150II/250II - WTW150 - WTS150 - SUPER NTM3 - SUPER NTJ - SUPER NTJX - SC150/200/250 - SC300II 16 ST. - JX250 - NTY3 150/250 - TW10M/MY/MM/MMY/MMYY - TW20M/MY/MM/MMY/MMYY 16 ST. - WY150/250 - AS200 15/12 ST.

DRIVEN

BROACHING/SLOTING DRIVEN TOOL 25mm STROKE H=76mm

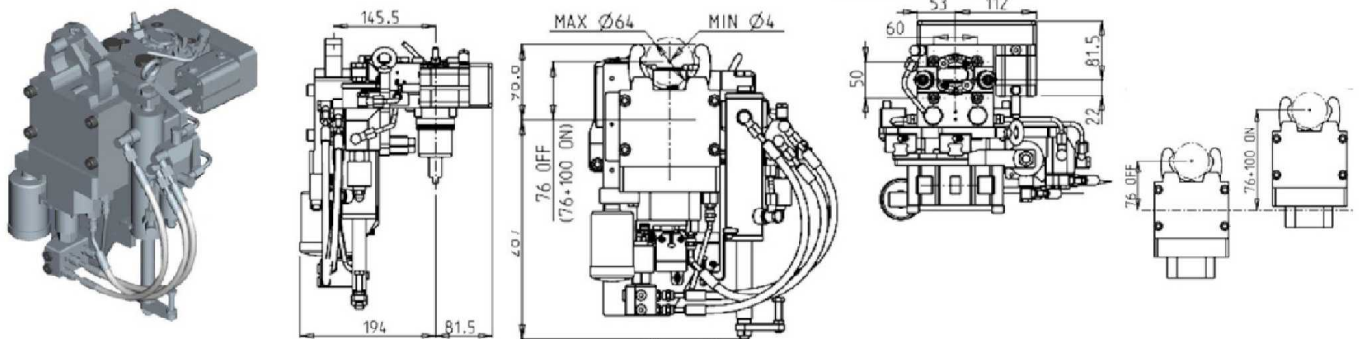
WT250 - WT150II/250II - WTW150 - WTS150 - SUPER NTJX - SC150/200/250 - SC300II 16 ST. - JX250 - NTY3 150/250



PartNumber	Description	I	MAX RPM	Reversible	Ext Cool
NKM0920200	Broaching/Slotting Driven Tool H=76mm	4:1	2400	X	X

DRIVEN TOOL HOLDER FOR SLIDING STEADY REST

WT150/250 - WT150II/250II - WTW150 - WTS150 - SUPER NTM3 - SUPER NTJ - SUPER NTJX - JX250 - NTY3 150/250



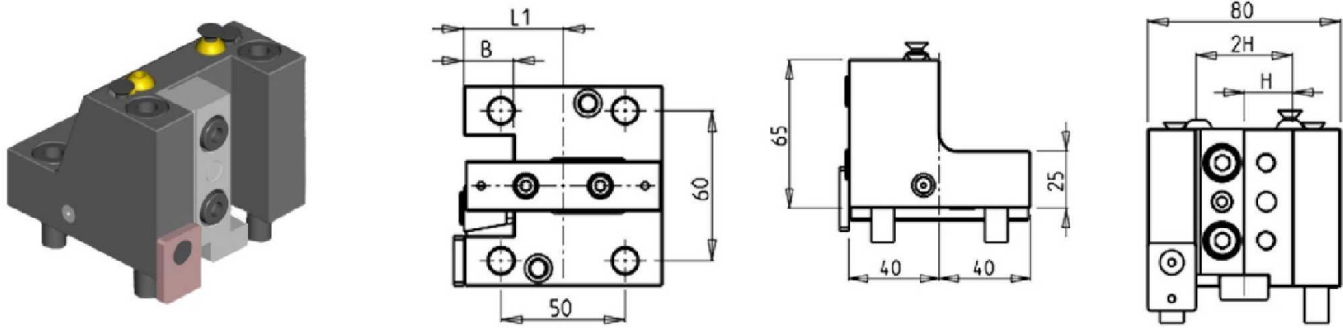
PartNumber	Description	I	RPM	Ext Cool	Electronics
NKM0760300	Driven Toolholder for Sliding Steady Rest (Size 1)	1:1	6000	X	
NKM0760300US	Driven Toolholder for Sliding Steady Rest (Size 1) with Electronics	1:1	6000	X	X

WT150/250 - WT150II/250II - WTW150 - WTS150 -SUPER NTM3 - SUPER NTJ - SUPER NTJX - SC150/200/250 - SC300II 16 ST. - JX250 - NTY3 150/250 - TW10M/MY/MM/MMY/MMYY - TW20M/MY/MM/MMY/MMYY 16 ST. - WY150/250 - AS200 15/12 ST.

STATIC

RADIAL SINGLE STATIC TOOL

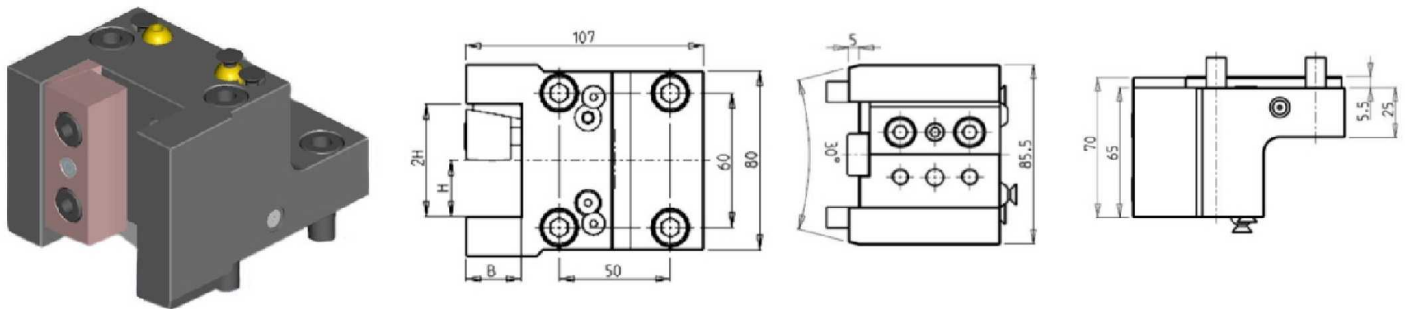
WT150/250 - WT150II/250II - WTW150 - WTS150 -SUPER NTM3 - SUPER NTJ - SUPER NTJX - SC150/200/250 - SC300II 16 ST. - JX250 - NTY3 150/250 - TW10M/MY/MM/MMY/MMYY - TW20M/MY/MM/MMY/MMYY 16 ST. - WY150/250 - AS200 15/12 ST.



PartNumber	Description	# of Tools	Reversible	Cool Thru	Ext Cool	Dimensions	B	H	L1
NKM0161905	Radial Single Static Tool 3/4"	1	X		X	Inch	3/4"	3/4"	40
NKM0162000	Radial Single Static Tool 20mm	1	X		X	mm	20	20	40
NKM1862000	Radial Single Static Tool 20mm Cool Thru*	1	X	X	X	mm	20	20	61

RADIAL SINGLE STATIC TOOL

WT150/250 - WT150II/250II - WTW150 - WTS150 -SUPER NTM3 - SUPER NTJ - SUPER NTJX - SC150/200/250 - SC300II 16 ST. - JX250 - NTY3 150/250 - TW10M/MY/MM/MMY/MMYY - TW20M/MY/MM/MMY/MMYY 16 ST. - WY150/250 - AS200 15/12 ST.



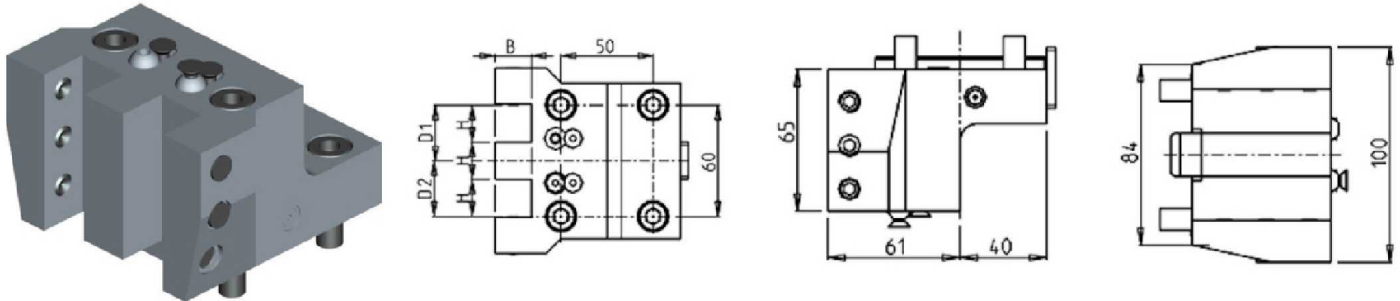
PartNumber	Description	# of Tools	Cool Thru	Ext Cool	Reversible	Dimensions	B	H
NKM0162540	Radial Single Static Tool 1"	1		X	X	Inch	1"	1"
NKM0162500	Radial Single Static Tool 25mm	1		X	X	mm	25	25
NKM0162550	Radial Single Static Tool 25mm Cool Thru*	1	X	X	X	mm	25	25

WT150/250 - WT150II/250II - WTW150 - WTS150 - SUPER NTM3 - SUPER NTJ - SUPER NTJX - SC150/200/250 - SC300II 16 ST. - JX250 - NTY3 150/250 - TW10M/MY/MM/MMY/MMYY - TW20M/MY/MM/MMY/MMYY 16 ST. - WY150/250 - AS200 15/12 ST.

STATIC

RADIAL SINGLE SIDE TWIN STATIC TOOL

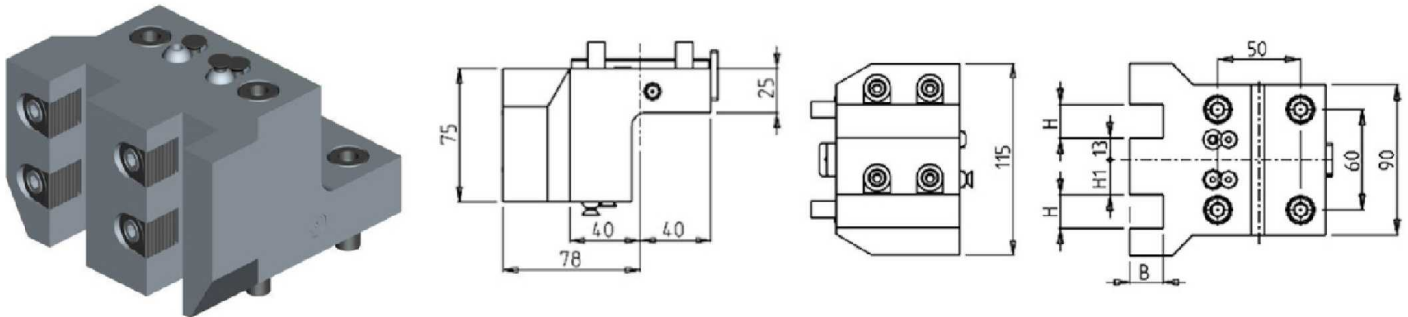
WT150/250 - WT150II/250II - WTW150 - WTS150 - SUPER NTM3 - SUPER NTJ - SUPER NTJX - SC150/200/250 - SC300II 16 ST. - JX250 - NTY3 150/250 - TW10M/MY/MM/MMY/MMYY - TW20M/MY/MM/MMY/MMYY 16 ST. - WY150/250 - AS200 15/12 ST.



PartNumber	Description	# of Tools	Reversible	Cool Thru	Ext Cool	Dimensions	H	B	D1	D2
NKM1051905	Radial Single Twin 3/4"	2	X		X	Inch	3/4"	3/4"	1-1/8"	1-1/8"
NKM1052000	Radial Single Twin 20mm	2	X		X	mm	20	20	30	30
NKM1052010	Radial Single Twin 20mm Cool Thru*	2	X	X	X	mm	20	20	30	30

RADIAL SINGLE SIDE TWIN STATIC TOOL

WT150/250 - WT150II/250II - WTW150 - WTS150 - SUPER NTM3 - SUPER NTJ - SUPER NTJX - SC150/200/250 - NTY3 150/250 - WY150/250 - AS200MY 12 ST.



PartNumber	Description	Reversible	Dimensions	B	H	H1
NKM1101905	Radial Single Side Twin Static Tool 3/4"	X	Inch	3/4"	3/4"	21.95
NKM1102000	Radial Single Side Twin Static Tool 20mm	X	mm	20	20	21

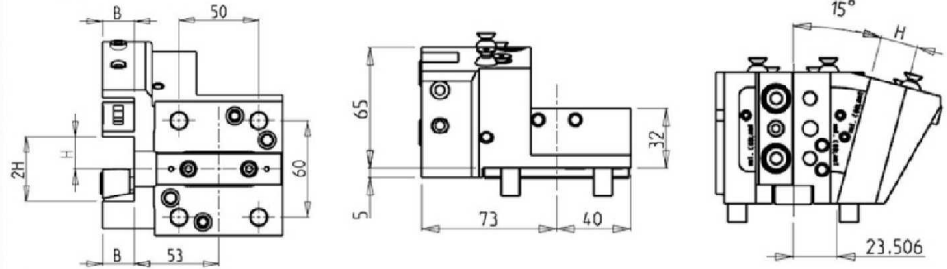
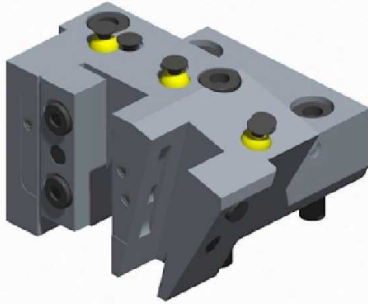
WT150/250 - WT150II/250II - WTW150 - WTS150 - SUPER NTM3 - SUPER NTJ - SUPER NTJX - SC150/200/250 - SC300II 16 ST. - JX250 - NTY3 150/250 - TW10M/MY/MM/MMY/MMYY - TW20M/MY/MM/MMY/MMYY 16 ST. - WY150/250 - AS200 15/12 ST.

STATIC

RADIAL MULTIPLE STATIC TOOL

WT150 - WT150II/250II - SUPER NTM3 - SUPER NTJ - NTY3 150/250 - WY150/250 - SC200

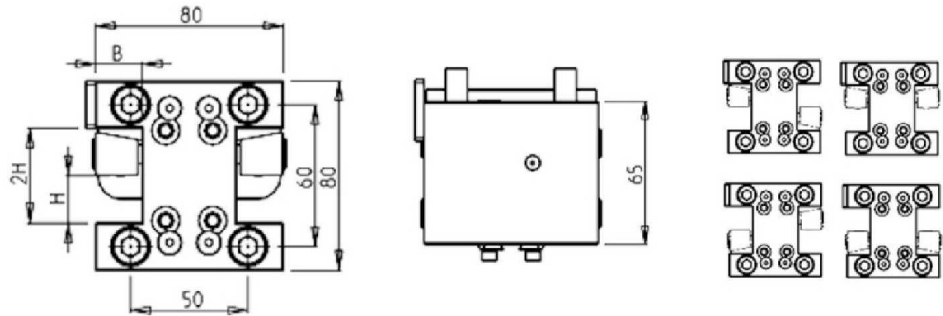
SUPER NTJ CAN ONLY BE USED ON THE LOWER TURRET



PartNumber	Description	# of Tools	Cool Thru	Ext Cool	Dimensions	B	H
NKM1892010	Radial Multiple Static Tool 20mm Cool Thru*	2	X	X	mm	20	20

RADIAL DOUBLE STATIC TOOL

WT150/250 - WT150II/250II - WTW150 - WTS150 - SUPER NTM3 - SUPER NTJ - SUPER NTJX - SC150/200/250 - SC300II 16 ST. - JX250 - NTY3 150/250 - TW10M/MY/MM/MMY/MMYY - TW20M/MY/MM/MMY/MMYY 16 ST. - WY150/250 - AS200 15/12 ST.



PartNumber	Description	# of Tools	Reversible	Dimensions	B	H
NKM0151905	Radial Double Static Tool 3/4"	2	X	Inch	3/4"	3/4"
NKM0152000	Radial Double Static Tool 20mm	2	X	mm	20	20

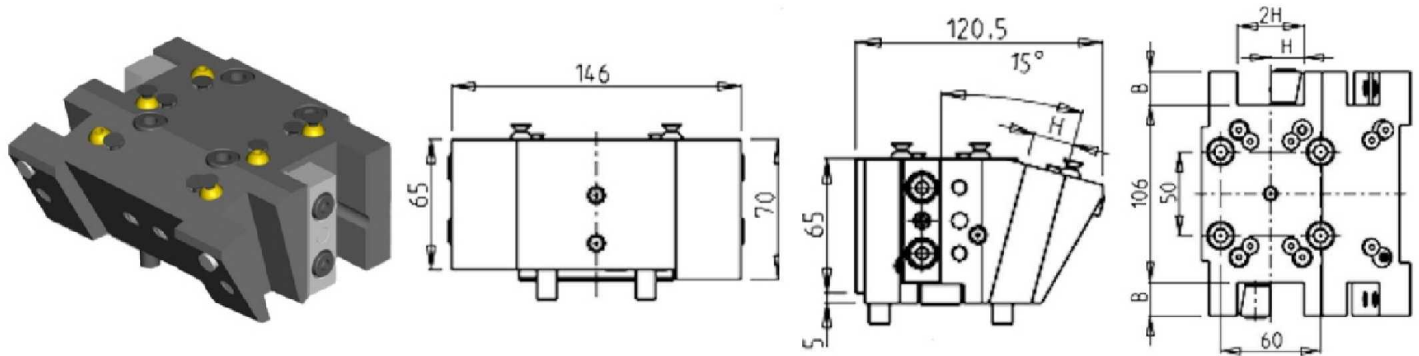
WT150/250 - WT150II/250II - WTW150 - WTS150 - SUPER NTM3 - SUPER NTJ - SUPER NTJX - SC150/200/250 - SC300II 16 ST. - JX250 - NTY3 150/250 - TW10M/MY/MM/MMY/MMYY - TW20M/MY/MM/MMY/MMYY 16 ST. - WY150/250 - AS200 15/12 ST.

STATIC

RADIAL MULTIPLE STATIC TOOL

WT150 - WT150II/250II - SUPER NTM3 - SUPER NTJ - NTY3 150/250 - WY150/250 - SC200

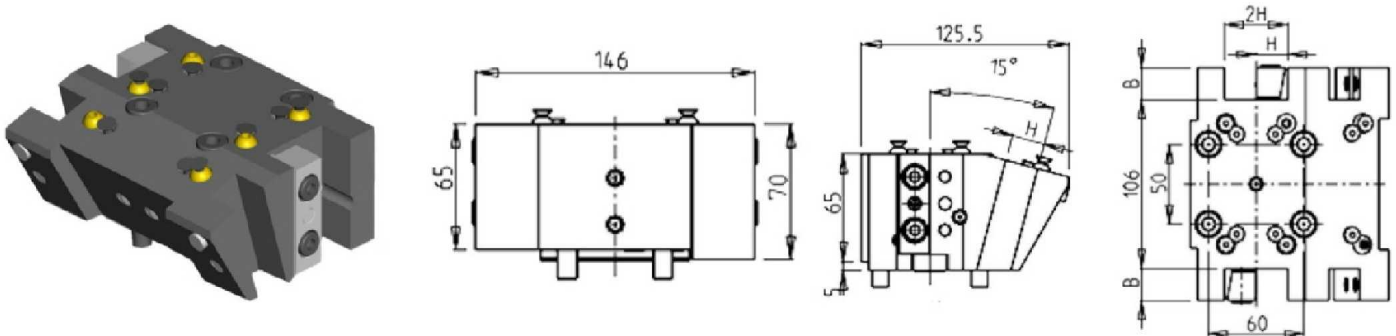
SUPER NTJ CAN ONLY BE USED ON THE LOWER TURRET



PartNumber	Description	# of Tools	Cool Thru	Ext Cool	Dimensions	B	H
NKM0221905	Radial Multiple Static Tool 3/4"	4		X	Inch	3/4"	3/4"
NKM0221000	Radial Multiple Static Tool 20mm	4		X	mm	20	20
NKM0221010	Radial Multiple Static Tool 20mm Cool Thru*	4	X	X	mm	20	20

RADIAL MULTIPLE STATIC TOOL

WTW150 - WTS150 - SUPER NTJX - AS200 12 ST.



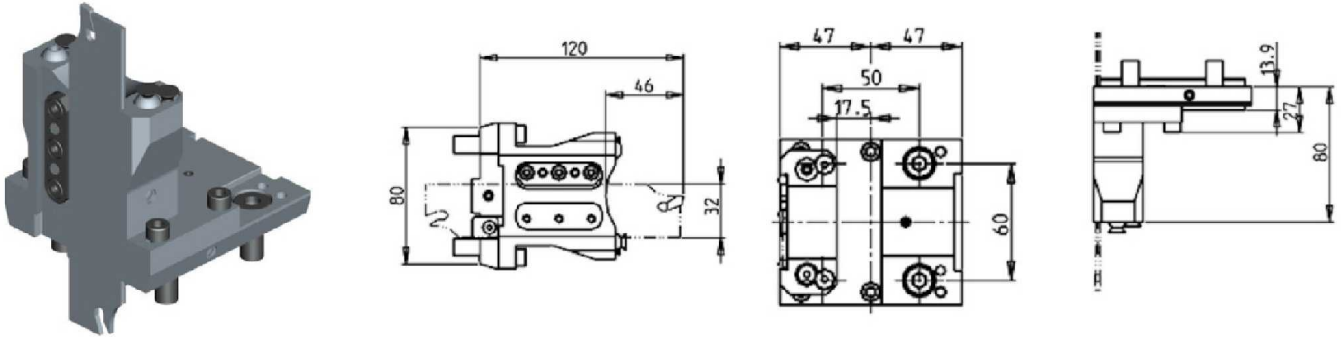
PartNumber	Description	# of Tools	Dimensions	B	H
NKM0222000	Radial Multiple Static Tool 20mm	4	mm	20	20

WT150/250 - WT150II/250II - WTW150 - WTS150 - SUPER NTM3 - SUPER NTJ - SUPER NTJX - SC150/200/250 - SC300II 16 ST. - JX250 - NTY3 150/250 - TW10M/MY/MM/MMY/MMYY - TW20M/MY/MM/MMY/MMYY 16 ST. - WY150/250 - AS200 15/12 ST.

STATIC

RADIAL BLADE HOLDER WITH BLADE KIT

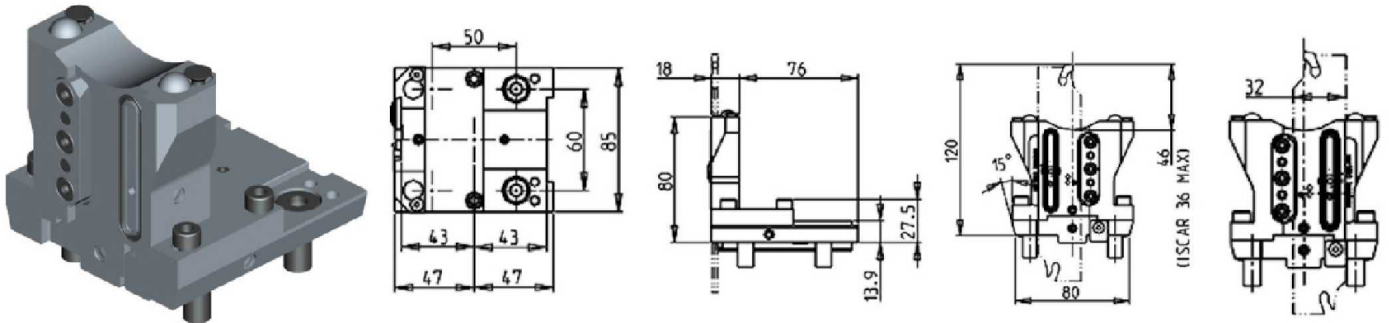
WT150/250 - WT150II/250II - WTW150 - WTS150 - SUPER NTM3 - SUPER NTJ - SUPER NTJX - SC150/200/250 - SC300II 16 ST. - JX250 - NTY3 150/250 - TW10M/MY/MM/MMY/MMYY - TW20M/MY/MM/MMY/MMYY 16 ST. - WY150/250 - AS200 15/12 ST.



PartNumber	Description	# of Tools	Reversible	Ext Cool
NKM1030132	Radial Blade Holder with Blade Kit	1	X	X
BLADEKIT	Blade Kit: 1 Blade, 10 Inserts			

RADIAL BLADE HOLDER WITH INTERNAL COOLANT-BLADE KIT NOT INCLUDED

WT150/250 - WT150II/250II - WTW150 - WTS150 - SUPER NTM3 - SUPER NTJ - SUPER NTJX - SC150/200/250 - SC300II 16 ST. - JX250 - NTY3 150/250 - TW10M/MY/MM/MMY/MMYY - TW20M/MY/MM/MMY/MMYY 16 ST. - WY150/250 - AS200 15/12 ST.



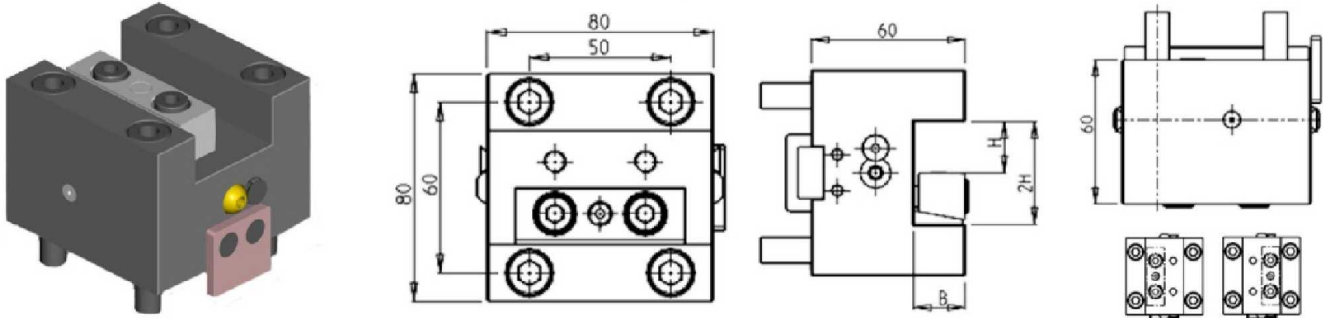
PartNumber	Description	# of Tools	Reversible	Cool Thru	Ext Cool
NKM1110132R	Radial Blade Holder Cool Thru (Right Hand)	1	X	X	X
NKM1110132L	Radial Blade Holder Cool Thru (Left Hand)	1	X	X	X
COOL THRU BLADEKIT	Blade Kit: 1 Blade, 10 Inserts				

WT150/250 - WT150II/250II - WTW150 - WTS150 -SUPER NTM3 - SUPER NTJ - SUPER NTJX - SC150/200/250 - SC300II 16 ST. - JX250 - NTY3 150/250 - TW10M/MY/MM/MMY/MMYY - TW20M/MY/MM/MMY/MMYY 16 ST. - WY150/250 - AS200 15/12 ST.

STATIC

AXIAL SINGLE STATIC TOOL

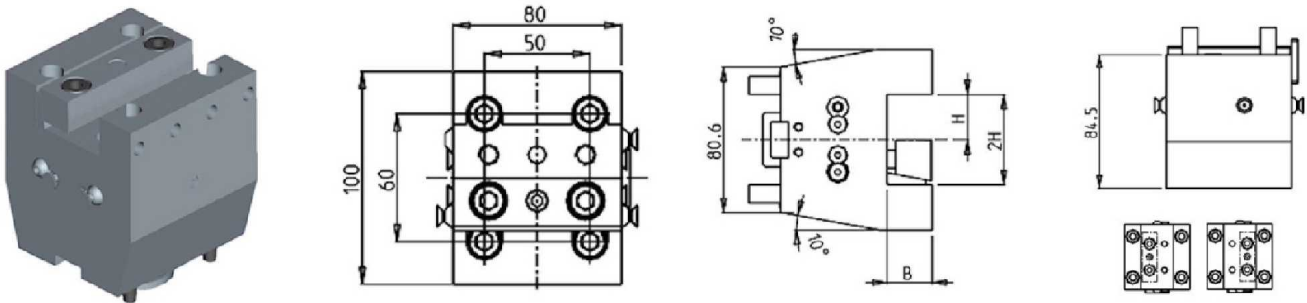
WT150/250 - WT150II/250II - WTW150 - WTS150 -SUPER NTM3 - SUPER NTJ - SUPER NTJX - SC150/200/250 - SC300II 16 ST. - NTY3 150/250 - TW10M/MY/MM/MMY/MMYY - TW20M/MY/MM/MMY/MMYY 16 ST. - WY150/250 - AS200 15/12 ST.



PartNumber	Description	# of Tools	Cool Thru	Ext Cool	Reversible	Dimensions	B	H
NKM0181905	Axial Single Static Tool 3/4"	1		X	X	Inch	3/4"	3/4"
NKM0182000	Axial Single Static Tool 20mm	1			X	mm	20	20
NKM0182030	Axial Single Static Tool 20mm Cool Thru	1	X	X	X	mm	20	20

AXIAL SINGLE STATIC TOOL

WT150/250 - WT150II/250II - WTW150 - WTS150 -SUPER NTM3 - SUPER NTJ - SUPER NTJX - SC150/200/250 - SC300II 16 ST. - JX250 - NTY3 150/250 - TW10M/MY/MM/MMY/MMYY - TW20M/MY/MM/MMY/MMYY 16 ST. - WY150/250 - AS200 15/12 ST.



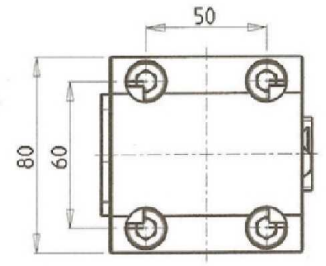
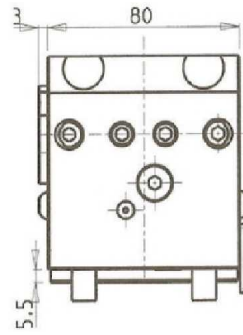
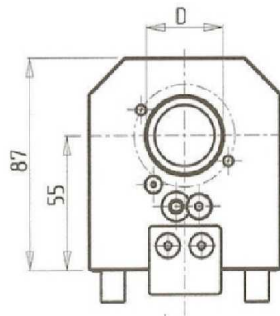
PartNumber	Description	# of Tools	Reversible	Ext Cool	Dimensions	B	H
NKM0182500	Axial Single Static 25mm	1	X	X	mm	25	25

WT150/250 - WT150II/250II - WTW150 - WTS150 -SUPER NTM3 - SUPER NTJ - SUPER NTJX - SC150/200/250 - SC300II 16 ST. - JX250 - NTY3 150/250 - TW10M/MY/MM/MMY/MYY - TW20M/MY/MM/MMY/MYY 16 ST. - WY150/250 - AS200 15/12 ST.

STATIC

AXIAL SINGLE BORING BAR HOLDER H=55mm

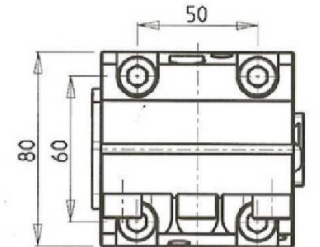
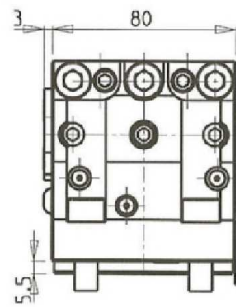
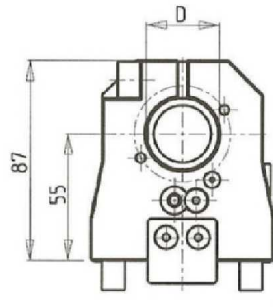
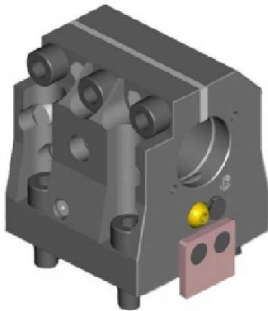
WT150/250 - WT150II/250II - WTW150 - WTS150 -SUPER NTM3 - SUPER NTJ - SC150/200/250 - SC300II 16 ST. - NTY3 150/250 - TW10M/MY/MM/MMY/MYY - TW20M/MY/MM/MMY/MYY 16 ST. - WY150/250 - AS200 15/12 ST.



PartNumber	Description	# of Tools	Reversible	Cool Thru	Ext Cool	Dimensions	D
NKM0113230	Axial Single BBH 1 1/4"	1	X	X	X	Inch	1 1/4"
NKM0113220	Axial Single BBH 32mm	1	X	X	X	mm	32
KIT1000001	Plug for 32mm or 1-1/4" BBH to Make Cool Thru						

AXIAL SINGLE BORING BAR HOLDER H=55mm SPLIT

WT150/250 - WT150II/250II - WTW150 - WTS150 -SUPER NTM3 - SUPER NTJ - SC150/200/250 - SC300II 16 ST. - NTY3 150/250 - TW10M/MY/MM/MMY/MYY - TW20M/MY/MM/MMY/MYY 16 ST. - WY150/250 - AS200 15/12 ST.



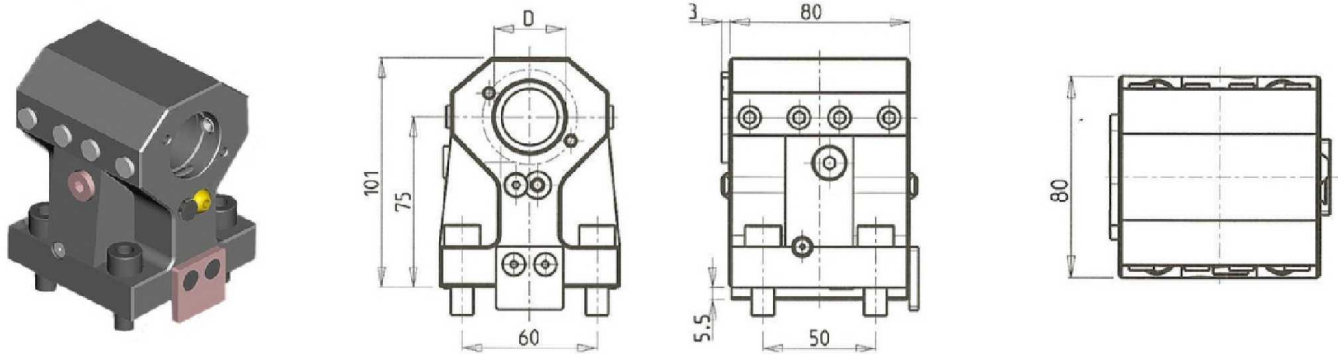
PartNumber	Description	# of Tools	Reversible	Cool Thru	Ext Cool	Dimensions	D
NKM0113231	Axial Single BBH 1 1/4"	1	X	X	X	Inch	1 1/4"
NKM0113221	Axial Single BBH 32mm	1	X	X	X	mm	32
KIT1004001	Plug for 32mm or 1-1/4" BBH to Make Cool Thru						

WT150/250 - WT150II/250II - WTW150 - WTS150 - SUPER NTM3 - SUPER NTJ - SUPER NTJX - SC150/200/250 - SC300II 16 ST. - JX250 - NTY3 150/250 - TW10M/MY/MM/MMY/MMYY - TW20M/MY/MM/MMY/MMYY 16 ST. - WY150/250 - AS200 15/12 ST.

STATIC

AXIAL SINGLE BORING BAR HOLDER H=75mm

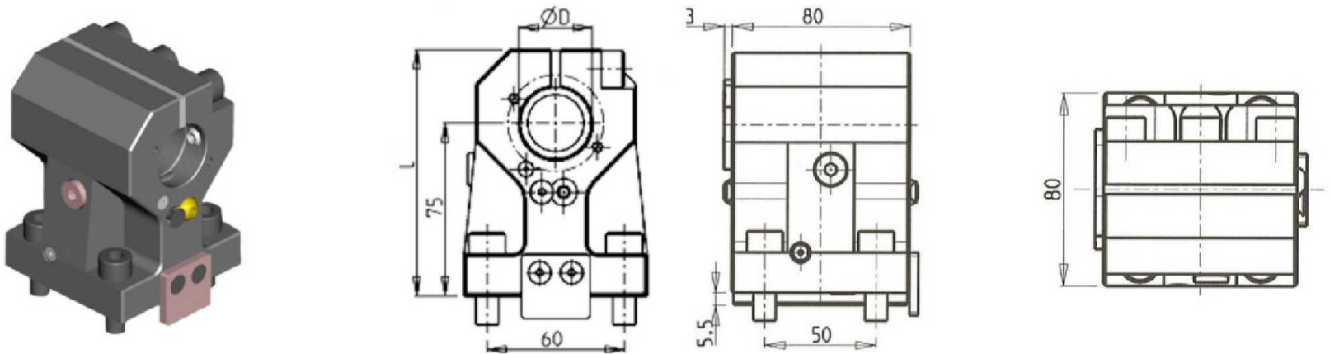
WT150/250 - WT150II/250II - WTW150 - WTS150 - SUPER NTM3 - SUPER NTJ - SUPER NTJX - SC150/200/250 - SC300II 16 ST. - JX250 - NTY3 150/250 - TW10M/MY/MM/MMY/MMYY - TW20M/MY/MM/MMY/MMYY 16 ST. - WY150/250 - AS200 15/12 ST.



PartNumber	Description	# of Tools	Reversible	Cool Thru	Ext Cool	Dimensions	D
NKM0113210	Axial Single BBH 1 1/4"	1	X	X	X	Inch	1 1/4"
NKM0113200	Axial Single BBH 32mm	1	X	X	X	mm	32
NKM0114000	Axial Single BBH 40mm	1	X	X	X	mm	40
KIT1000018	Plug for 40mm BBH to Make Cool Thru						
KIT1000001	Plug for 32mm or 1-1/4" BBH to Make Cool Thru						

AXIAL SINGLE BORING BAR HOLDER H=75mm SPLIT

WT250 - WT150II/250II - WTW150 - WTS150 - SUPER NTJX - SC150/200/250 - SC300II 16 ST. - JX250 - NTY3 150/250



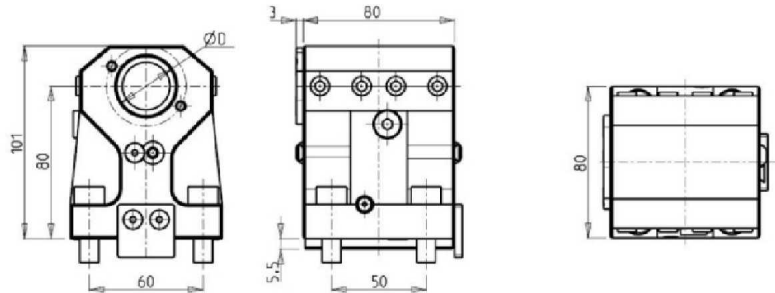
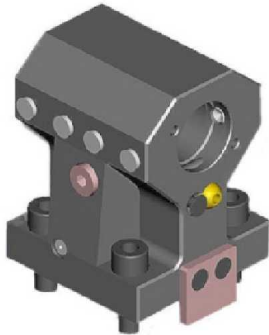
PartNumber	Description	Reversible	Cool Thru	Ext Cool	D	L
NKM0113211	Axial Single BBH 1 1/4"	X	X	X	1 1/4"	107
NKM0114030	Axial Single BBH 1 1/2"	X	X	X	1 1/2"	111
NKM0113201	Axial Single BBH 32mm	X	X	X	32	107
NKM0114010	Axial Single BBH 40mm	X	X	X	40	111
KIT1004001	Plug for 32mm or 1-1/4" BBH to Make Cool Thru					
KIT1004021	Plug for 1-1/2" BBH to Make Cool Thru					
KIT1004018	Plug for 40mm BBH to Make Cool Thru					

WT150/250 - WT150II/250II - WTW150 - WTS150 -SUPER NTM3 - SUPER NTJ - SUPER NTJX - SC150/200/250 - SC300II 16 ST. - JX250 - NTY3 150/250 - TW10M/MY/MM/MMY/MMYY - TW20M/MY/MM/MMY/MMYY 16 ST. - WY150/250 - AS200 15/12 ST.

STATIC

AXIAL SINGLE BORING BAR HOLDER H=80mm

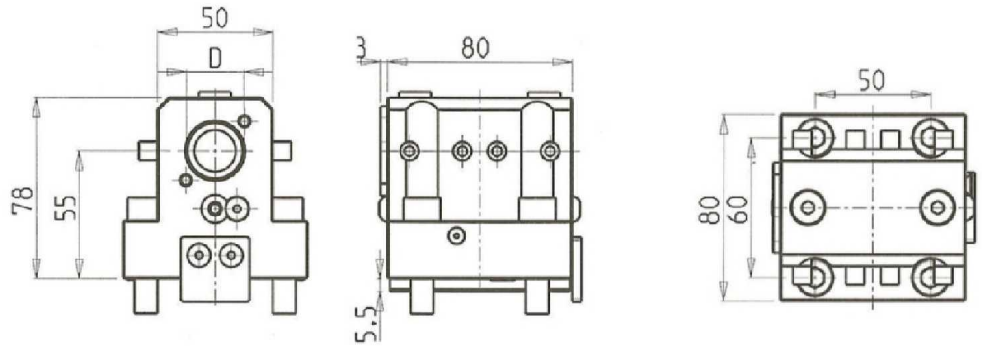
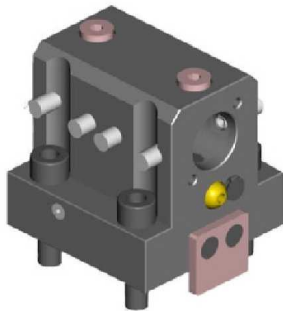
WT150/250 - WT150II/250II - WTW150 - WTS150 -SUPER NTM3 - SUPER NTJ - SUPER NTJX - SC150/200/250 - SC300II 16 ST. - JX250 - NTY3 150/250 - TW10M/MY/MM/MMY/MMYY - TW20M/MY/MM/MMY/MMYY 16 ST. - WY150/250 - AS200 15 ST.



PartNumber	Description	# of Tools	Reversible	Cool Thru	Ext Cool	Dimensions	D
NKM0113240	Axial Single BBH 32mm	1	X	X	X	mm	32
KIT1000001	Plug for 32mm or 1-1/4" BBH to Make Cool Thru						

AXIAL SINGLE BORING BAR HOLDER H=55mm

WT150/250 - WT150II/250II - WTW150 - WTS150 -SUPER NTM3 - SUPER NTJ - SC150/200/250 - SC300II 16 ST. - NTY3 150/250 - TW10M/MY/MM/MMY/MMYY - TW20M/MY/MM/MMY/MMYY 16 ST. - WY150/250 - AS200 15/12 ST.



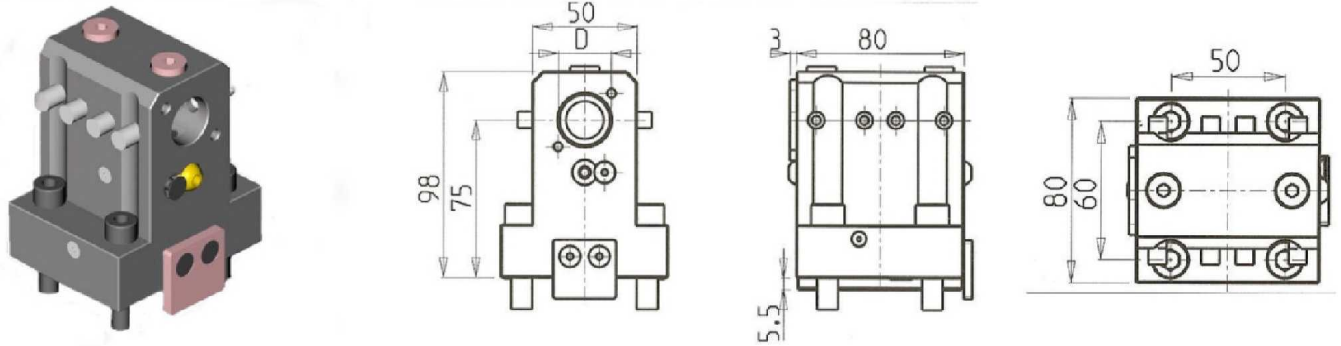
PartNumber	Description	# of Tools	Reversible	Cool Thru	Ext Cool	Dimensions	D
NKM0112510	Axial Single BBH 1"	1	X	X	X	Inch	1"
NKM0112500	Axial Single BBH 25mm	1	X	X	X	mm	25
KIT1000006	Plug for 25mm or 1" BBH to Make Cool Thru						

WT150/250 - WT150II/250II - WTW150 - WTS150 - SUPER NTM3 - SUPER NTJ - SUPER NTJX - SC150/200/250 - SC300II 16 ST. - JX250 - NTY3 150/250 - TW10M/MY/MM/MMY/MMYY - TW20M/MY/MM/MMY/MMYY 16 ST. - WY150/250 - AS200 15/12 ST.

STATIC

AXIAL SINGLE BORING BAR HOLDER H=75mm

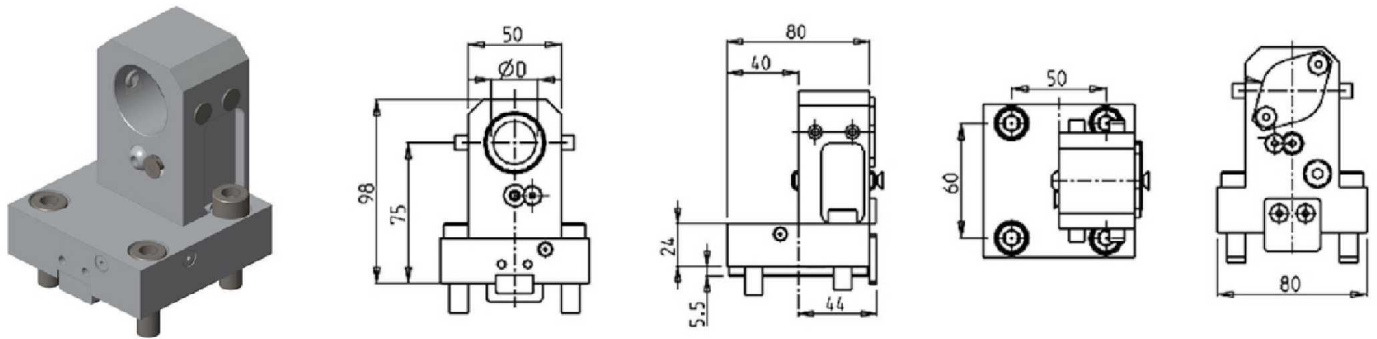
WT150/250 - WT150II/250II - WTW150 - WTS150 - SUPER NTM3 - SUPER NTJ - SUPER NTJX - SC150/200/250 - SC300II 16 ST. - JX250 - NTY3 150/250 - TW10M/MY/MM/MMY/MMYY - TW20M/MY/MM/MMY/MMYY 16 ST. - WY150/250 - AS200 15 ST.



PartNumber	Description	# of Tools	Reversible	Cool Thru	Ext Cool	Dimensions	D
NKM0112530	Axial Single BBH 1"	1	X	X	X	Inch	1"
NKM0112520	Axial Single BBH 25mm	1	X	X	X	mm	25
KIT1000006	Plug for 25mm or 1" BBH to Make Cool Thru						

AXIAL SINGLE REAR SET BORING BAR HOLDER H=75mm

WT150/250 - WT150II/250II - WTW150 - WTS150 - SUPER NTM3 - SUPER NTJ - SUPER NTJX - SC150/200/250 - SC300II 16 ST. - JX250 - NTY3 150/250 - TW10M/MY/MM/MMY/MMYY - TW20M/MY/MM/MMY/MMYY 16 ST. - WY150/250 - AS200 15 ST.



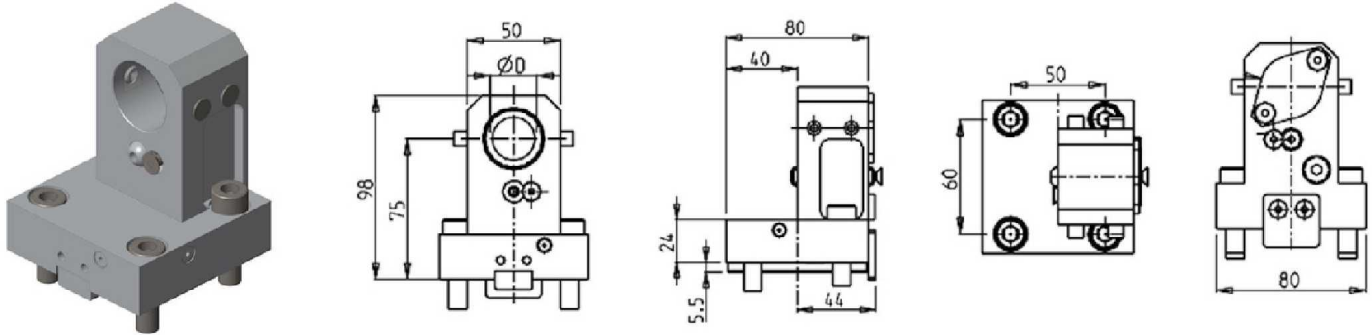
PartNumber	Description	# of Tools	Reversible	Cool Thru	Ext Cool	Dimensions	D
NKM1363200	Axial Rear Set BBH 32mm	1	X	X	X	mm	32
KIT1000001	Plug for 32mm or 1-1/4" BBH to Make Cool Thru						

WT150/250 - WT150II/250II - WTW150 - WTS150 - SUPER NTM3 - SUPER NTJ - SUPER NTJX - SC150/200/250 - SC300II 16 ST. - JX250 - NTY3 150/250 - TW10M/MY/MM/MMY/MMYY - TW20M/MY/MM/MMY/MMYY 16 ST. - WY150/250 - AS200 15/12 ST.

STATIC

AXIAL SINGLE REAR SET BORING BAR HOLDER H=75mm

WT150/250 - WT150II/250II - WTW150 - WTS150 - SUPER NTM3 - SUPER NTJ - SUPER NTJX - SC150/200/250 - SC300II 16 ST. - JX250 - NTY3 150/250 - TW10M/MY/MM/MMY/MMYY - TW20M/MY/MM/MMY/MMYY 16 ST. - WY150/250 - AS200 15 ST.

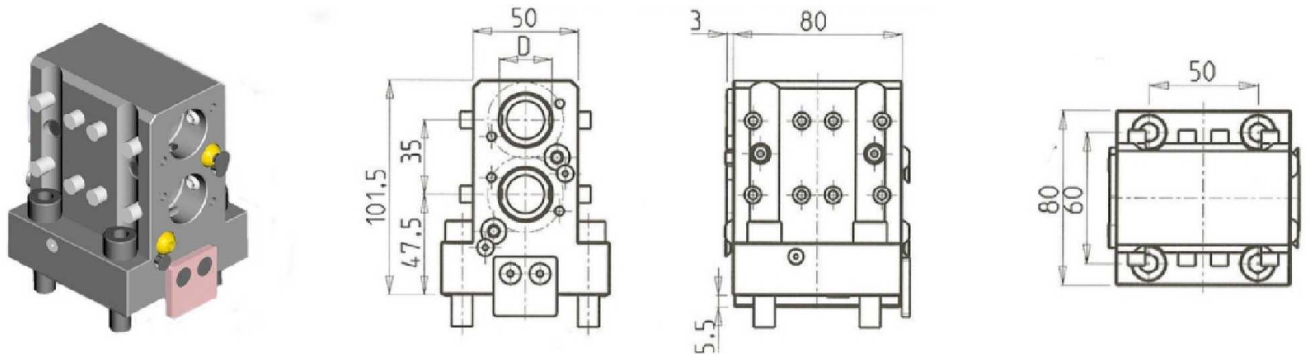


PartNumber	Description	# of Tools	Reversible	Cool Thru	Ext Cool	Dimensions	D
NKM1362500	Axial Rear Set BBH 25mm	1	X	X	X	mm	25
KIT1000006	Plug for 25mm or 1" BBH to Make Cool Thru						

AXIAL 2 POSITION BORING BAR HOLDER

WT150/250 - WT150II/250II - SUPER NTM3 - SUPER NTJ - SC150/200/250 - SC300II 16 ST. - NTY3 150/250 - TW10M/MY/MM/MMY/MMYY - TW20M/MY/MM/MMY/MMYY 16 ST. - WY150/250 - AS200 15 ST.

LOWER BORE (47.5) WILL NOT REACH CENTERLINE ON THE WT150/250 - WT150II/250II, SC300II 16 ST. and WY150 MACHINES



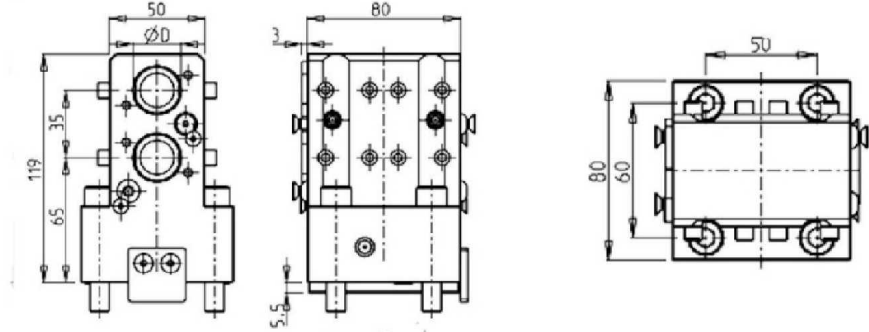
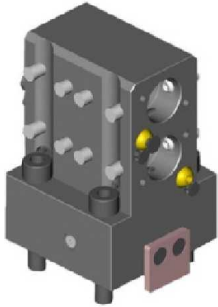
PartNumber	Description	# of Tools	Reversible	Cool Thru	Ext Cool	Dimensions	D
NKM0142510	Axial Double BBH 1"	2	X	X	X	Inch	1"
NKM0142500	Axial Double BBH 25mm	2	X	X	X	mm	25
KIT1000006	Plug for 25mm or 1" BBH to Make Cool Thru						

WT150/250 - WT150II/250II - WTW150 - WTS150 - SUPER NTM3 - SUPER NTJ - SUPER NTJX - SC150/200/250 - SC300II 16 ST. - JX250 - NTY3 150/250 - TW10M/MY/MM/MMY/MMYY - TW20M/MY/MM/MMY/MMYY 16 ST. - WY150/250 - AS200 15/12 ST.

STATIC

AXIAL DOUBLE BORING BAR HOLDER

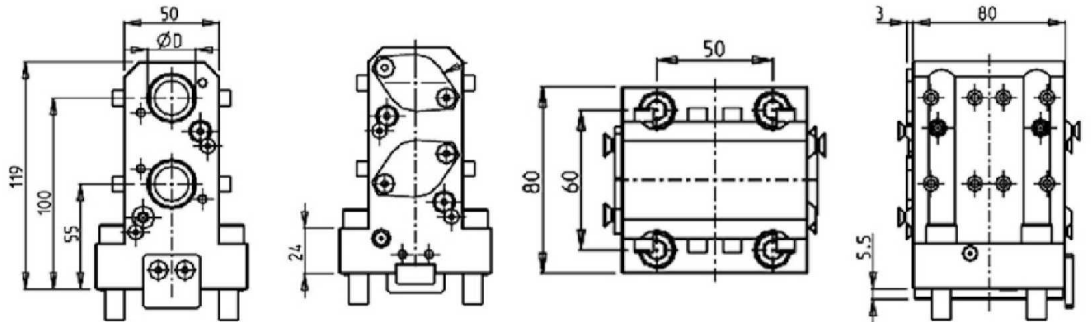
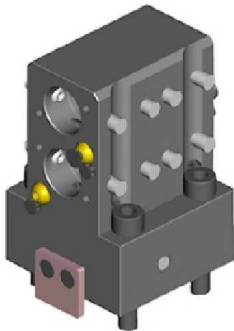
WTW150 - WTS150



PartNumber	Description	# of Tools	Reversible	Cool Thru	Ext Cool	Dimensions	D
NKM0652540	Axial Double BBH 1"	2	X	X	X	Inch	1"
NKM0652500	Axial Double BBH 25mm	2	X	X	X	mm	25
KIT1000006	Plug for 25mm or 1" BBH to Make Cool Thru						

AXIAL DOUBLE BORING BAR HOLDER

WT250 - WT250II



PartNumber	Description	# of Tools	Reversible	Cool Thru	Ext Cool	Dimensions	D
NKM1432500	Axial Double BBH 25mm	2	X	X	X	mm	25
KIT1000006	Plug for 25mm or 1" BBH to Make Cool Thru						

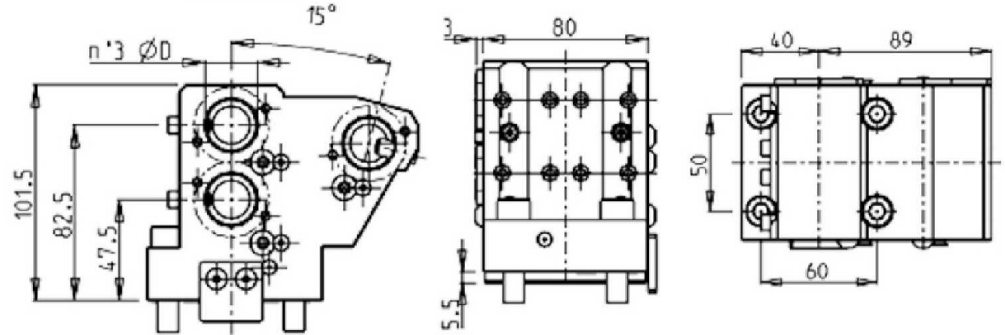
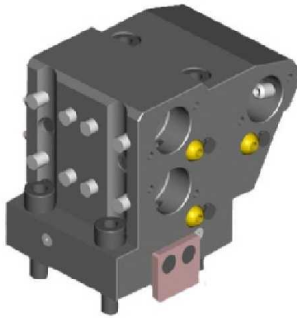
WT150/250 - WT150II/250II - WTW150 - WTS150 - SUPER NTM3 - SUPER NTJ - SUPER NTJX - SC150/200/250 - SC300II 16 ST. - JX250 - NTY3 150/250 - TW10M/MY/MM/MMY/MMYY - TW20M/MY/MM/MMY/MMYY 16 ST. - WY150/250 - AS200 15/12 ST.

STATIC

AXIAL 3 POSITION BORING BAR HOLDER

WT150 - WT150II/250II - SUPER NTM3 - NTY3 150/250 - SUPER NTJ - SC200 - WY150/250

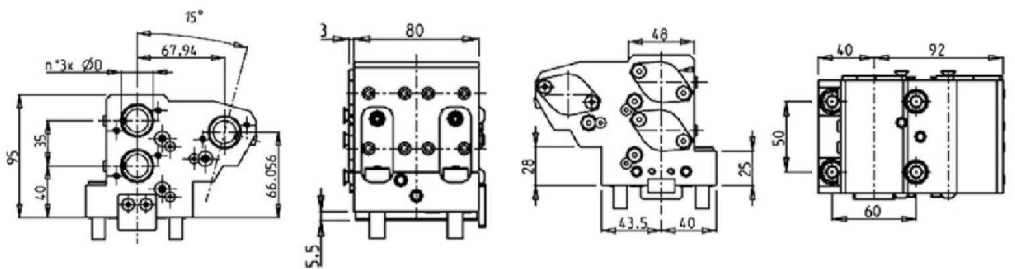
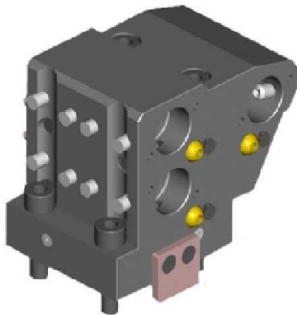
LOWER BORE (47.5) WILL NOT REACH CENTERLINE ON THE WT150/250 - WT150II/250II and WY150 MACHINES



PartNumber	Description	# of Tools	Cool Thru	Ext Cool	Dimensions	D
NKM0212540	Axial 3 Position BBH 1"	3	X	X	Inch	1"
NKM0211000	Axial 3 Position BBH 25mm	3	X	X	mm	25
KIT1000006	Plug for 25mm or 1" BBH to Make Cool Thru					

AXIAL 3 POSITION BORING BAR HOLDER

AS200 12 ST.



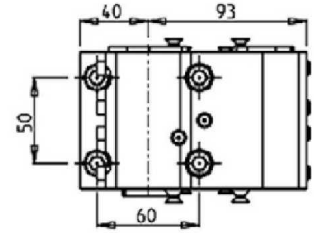
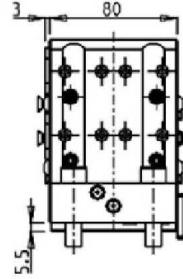
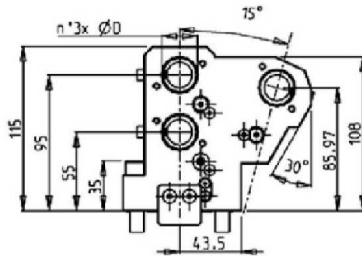
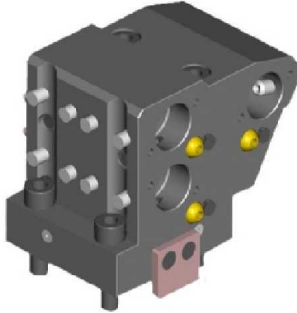
PartNumber	Description	Cool Thru	Ext Cool	Dimensions	D
NKM1492540	Axial 3 Position BBH 1"	X	X	Inch	1"
NKM1492500	Axial 3 Position BBH 25mm	X	X	mm	25
KIT1000006	Plug for 25mm or 1" BBH to Make Cool Thru				

WT150/250 - WT150II/250II - WTW150 - WTS150 - SUPER NTM3 - SUPER NTJ - SUPER NTJX - SC150/200/250 - SC300II 16 ST. - JX250 - NTY3 150/250 - TW10M/MY/MM/MMY/MMYY - TW20M/MY/MM/MMY/MMYY 16 ST. - WY150/250 - AS200 15/12 ST.

STATIC

AXIAL 3 POSITION BORING BAR HOLDER

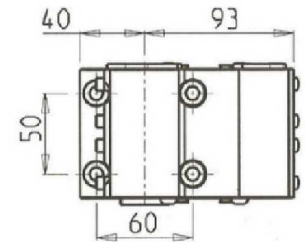
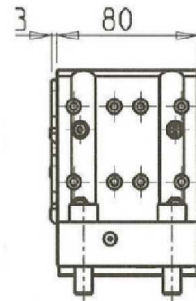
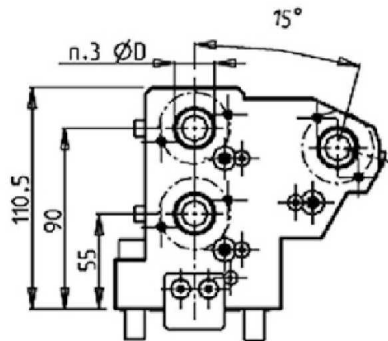
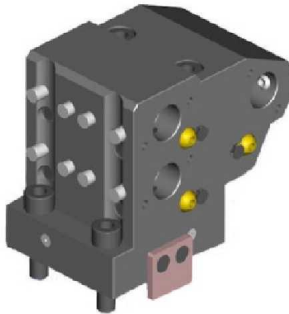
WT250 - WT250II - SUPER NTJ - NTY3 150/250



PartNumber	Description	# of Tools	Cool Thru	Ext Cool	Dimensions	D
NKM1422500	Axial 3 Position BBH 25mm	3	X	X	mm	25
KIT1000006	Plug for 25mm or 1" BBH to Make Cool Thru					

AXIAL 3 POSITION BORING BAR HOLDER

WTW150 - WTS150



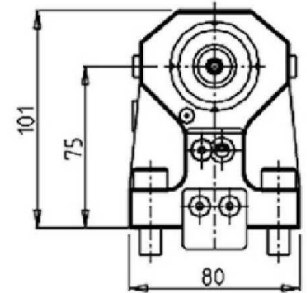
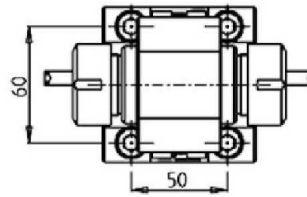
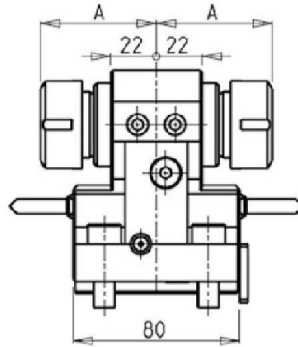
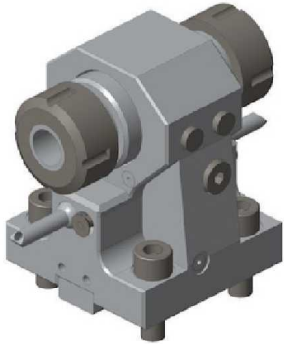
PartNumber	Description	# of Tools	Cool Thru	Ext Cool	Dimensions	D
NKM0212000	Axial 3 Position BBH 20mm	3	X	X	mm	20
NKM0212500	Axial 3 Position BBH 25mm	3	X	X	mm	25
KIT1000015	Plug for 20mm BBH to Make Cool Thru					
KIT1000006	Plug for 25mm or 1" BBH to Make Cool Thru					

WT150/250 - WT150II/250II - WTW150 - WTS150 - SUPER NTM3 - SUPER NTJ - SUPER NTJX - SC150/200/250 - SC300II 16 ST. - JX250 - NTY3 150/250 - TW10M/MY/MM/MMY/MMYY - TW20M/MY/MM/MMY/MMYY 16 ST. - WY150/250 - AS200 15/12 ST.

STATIC

AXIAL DOUBLE COLLET CHUCK HOLDER H=75mm

WT150/250 - WT150II/250II - SUPER NTM3 - SUPER NTJ - SUPER NTJX - SC150/200/250 - SC300II 16 ST. - JX250 - NTY3 150/250 - TW10M/MY/MM/MMY/MMYY - TW20M/MY/MM/MMY/MMYY 16 ST. - WY150/250



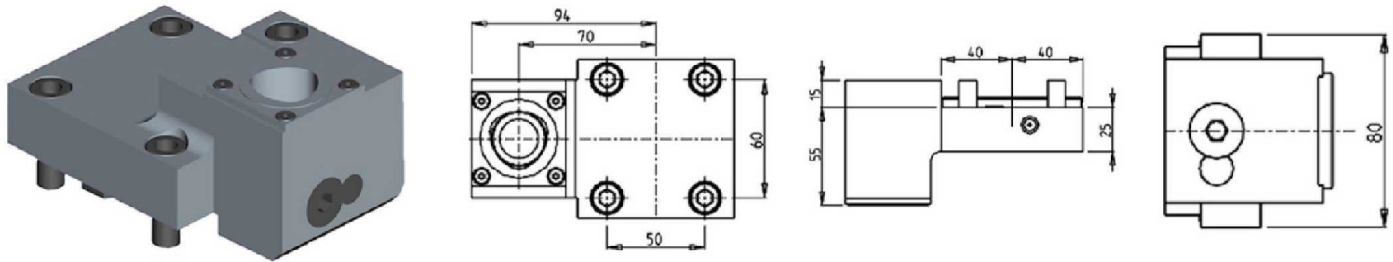
PartNumber	Description	# of Tools	Spindle	Reversible	Cool Thru	Ext Cool	A
NKM1452525	Axial Double Collet Chuck ER25+ER25	2	ER25+ER25	X	X	X	55.7
NKM1453232	Axial Double Collet Chuck ER32+ER32	2	ER32+ER32	X	X	X	69.7

WT150/250 - WT150II/250II - WTW150 - WTS150 - SUPER NTM3 - SUPER NTJ - SUPER NTJX - SC150/200/250 - SC300II 16 ST. - JX250 - NTY3 150/250 - TW10M/MY/MM/MMY/MMYY - TW20M/MY/MM/MMY/MMYY 16 ST. - WY150/250 - AS200 15/12 ST.

CAPTO STATIC

RADIAL SINGLE REAR SET STATIC TOOL CAPTO C4

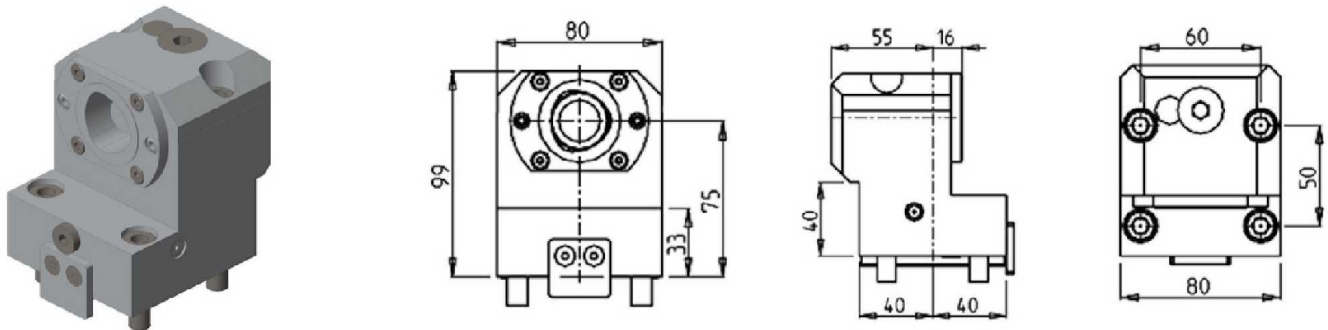
WT150/250 - WT150II/250II - WTW150 - WTS150 - SUPER NTM3 - SUPER NTJ - SUPER NTJX - SC150/200/250 - SC300II 16 ST. - JX250 - NTY3 150/250 - TW10M/MY/MM/MMY/MMYY - TW20M/MY/MM/MMY/MMYY 16 ST. - WY150/250 - AS200 15/12 ST.



PartNumber	Description	Cool Thru	Reversible	Size
NKM1514010	Radial Single Rear-Set Capto C4 Right Hand	X	X	C4
NKM1514010LC	Radial Single Rear-Set Capto C4 Left Hand	X	X	C4

AXIAL REAR SET BORING STATIC TOOL CAPTO C4

WT150/250 - WT150II/250II - WTW150 - WTS150 - SUPER NTM3 - SUPER NTJ - SUPER NTJX - SC150/200/250 - SC300II 16 ST. - JX250 - NTY3 150/250 - TW10M/MY/MM/MMY/MMYY - TW20M/MY/MM/MMY/MMYY 16 ST. - WY150/250 - AS200 15 ST.



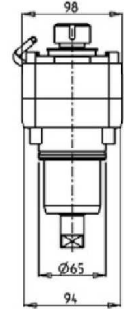
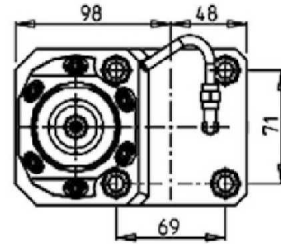
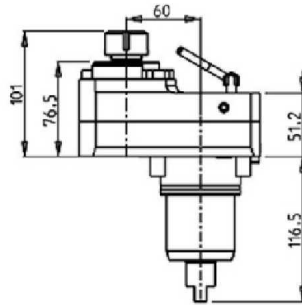
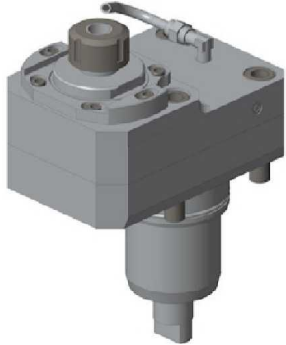
PartNumber	Description	Cool Thru	Reversible	Size
NKM1524010	Axial Rear Set Boring Single Static C4 Right Hand	X	X	C4
NKM1524010LC	Axial Rear Set Boring Single Static C4 Left Hand	X	X	C4

WT300 - SC300 - SC300II 12 ST. - TMC200/300M - SUPER NTX - SUPER NTXL - TW20M/MY/MM/MMY/MMYY 12 ST. - TW30M/MY/MM/MMY/MMYY 16 ST.

DRIVEN

RADIAL DRIVEN TOOL REDIRECTED IN Z BY 60mm

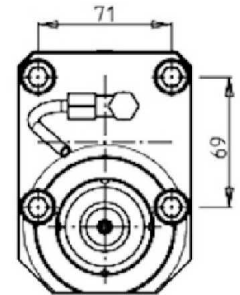
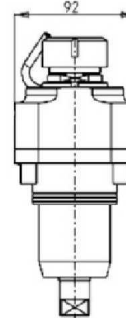
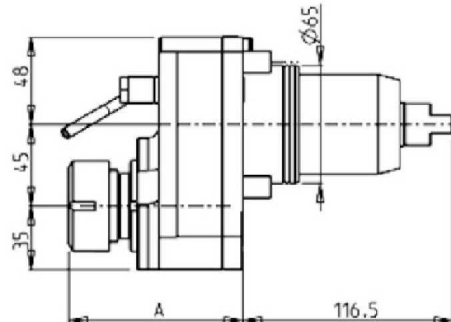
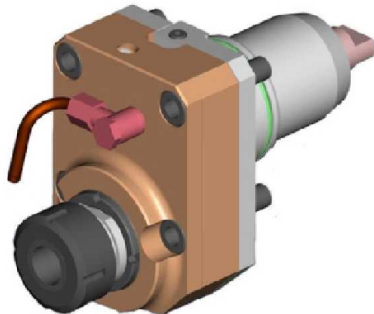
WT300 - SC300 - SC300II - TMC200/300M - SUPER NTX - SUPER NTXL - TW20M/MY/MM/MMY/MMYY 12 ST. - TW30M/MY/MM/MMY/MMYY 16 ST.



PartNumber	Description	Spindle	I	RPM	Reversible	Ext Cool
NKM1560320	Radial Redirected ER20	ER20	1:1	6000	X	X

RADIAL DRIVEN TOOL GEARED UP 1:2 DRIVEN TOOL RE-DIRECTED IN Z BY 45mm

WT300 - SC300 - SC300II - TMC200/300M - SUPER NTX - SUPER NTXL - TW20M/MY/MM/MMY/MMYY 12 ST. - TW30M/MY/MM/MMY/MMYY 16 ST.



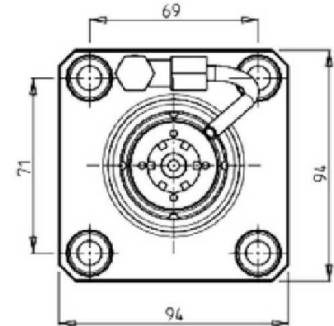
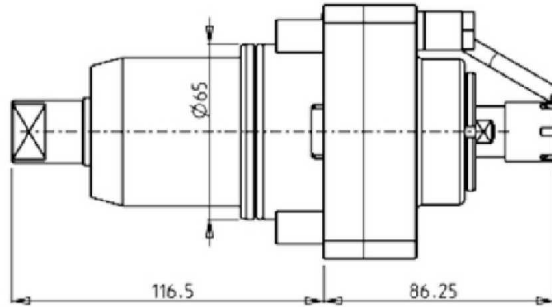
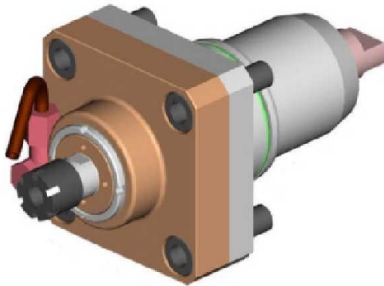
PartNumber	Description	Spindle	I	RPM	Reversible	Ext Cool	A
NKM0660132	Radial Geared-Up 1:2 Driven Tool ER32	ER32	1:2	12000	X	X	96.6

WT300 - SC300 - SC300II 12 ST. - TMC200/300M - SUPER NTX - SUPER NTXL - TW20M/MY/MM/MMY/MMYY 12 ST. - TW30M/MY/MM/MMY/MMYY 16 ST.

DRIVEN

RADIAL GEARED-UP 1:3 DRIVEN TOOL

WT300 - SC300 - SC300II - TMC200/300M - SUPER NTX - SUPER NTXL - TW20M/MY/MM/MMY/MMYY 12 ST. - TW30M/MY/MM/MMY/MMYY 16 ST.

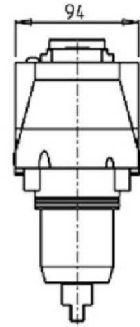
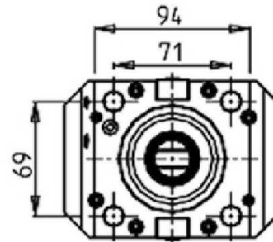
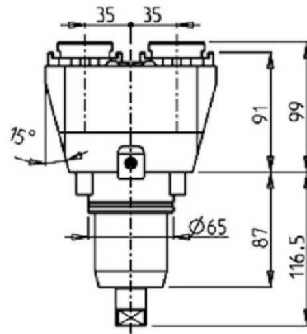


PartNumber	Description	Spindle	I	RPM	Ext Cool
NKM0680116	Radial Geared-Up 1:3 Driven Tool	ER16	1:3	18000	X

Note : Wrenches are provided with the purchase of Specialty Toolholders

RADIAL SINGLE SIDE TWIN HEAD DRIVEN TOOL IN Y

WT300 - SC300 - SC300II - TW20MY/MMY/MMYY 12 ST. - TW30MY/MMY/MMYY 16 ST.



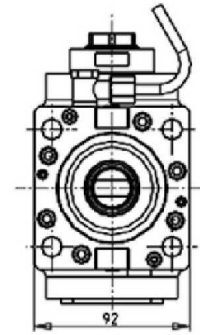
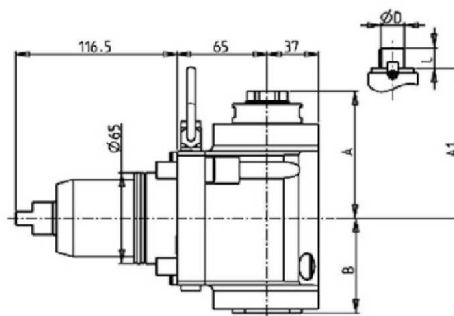
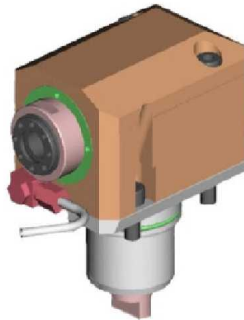
PartNumber	Description	Spindle	I	RPM	Ext Cool
NKM1540325	Radial Single Side Twin in Y ERA25	ERA25	1:1	6000	X

WT300 - SC300 - SC300II 12 ST. - TMC200/300M - SUPER NTX - SUPER NTXL - TW20M/MY/MM/MMY/MMYY 12 ST. - TW30M/MY/MM/MMY/MMYY 16 ST.

DRIVEN

AXIAL DRIVEN TOOL H=65mm

WT300 - SC300 - SC300II - TMC200/300M - SUPER NTX - SUPER NTXL - TW20M/MY/MM/MMY/MMYY 12 ST. - TW30M/MY/MM/MMY/MMYY 16 ST.

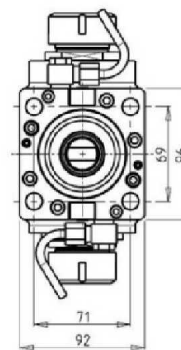
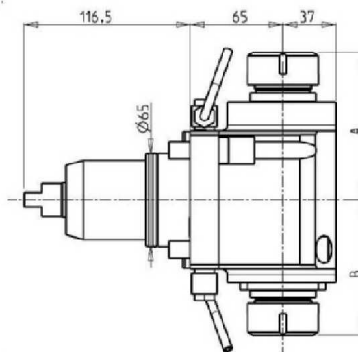


PartNumber	Description	Spindle	I	RPM	Reversible	Cool Thru	Ext Cool	A	A1	B	D	L
NKM0260125	Axial ERA25	ERA25	1:1	6000	X		X	91.03		68		
NKM0260225	Axial ERA25 Cool Thru*	ERA25	1:1	6000	X	X	X	91.03		91.5		
NKM0260132	Axial ERA32	ERA32	1:1	6000	X		X	94.53		68		
NKM0260232	Axial ERA32 Cool Thru*	ERA32	1:1	6000	X	X	X	94.53		91.5		
NKM0260140	Axial ER40	ER40	1:1	6000	X		X	108.16		68		
NKM0260240	Axial ER40 Cool Thru*	ER40	1:1	6000	X	X	X	108.16		79		
NKM0262219	Axial Mill Head 22x19mm	22x19	1:1	6000	X		X		80	68	22	19

* Coolant Thru tools are designed for 1000 psi. They require 5 Micron Filtration and **CANNOT** be run dry.

AXIAL OPPOSITE FACE TWIN DRIVEN TOOL H=65mm

WT300 - SC300 - SC300II - TMC200/300M - SUPER NTX - SUPER NTXL - TW20M/MY/MM/MMY/MMYY 12 ST. - TW30M/MY/MM/MMY/MMYY 16 ST.



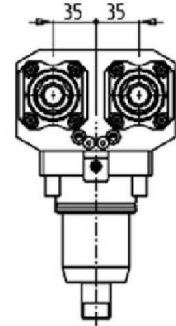
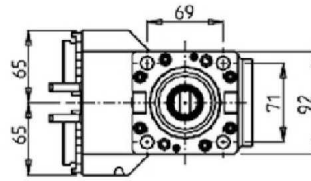
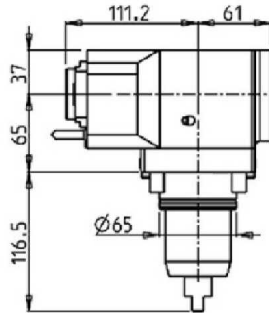
PartNumber	Description	Spindle	I	RPM	Reversible	Ext Cool	A	B
NKM0590232	Axial Opposite Face ER32+ER32	ER32+ER32	1:1	6000	X	X	102.66	94.26

WT300 - SC300 - SC300II 12 ST. - TMC200/300M - SUPER NTX - SUPER NTXL - TW20M/MY/MM/MMY/MMYY 12 ST. - TW30M/MY/MM/MMY/MMYY 16 ST.

DRIVEN

AXIAL SINGLE SIDE TWIN HEAD DRIVEN TOOL IN Y

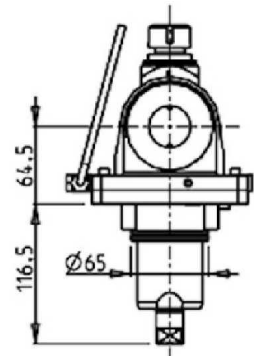
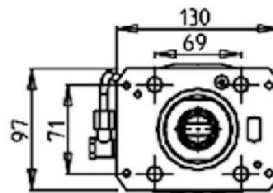
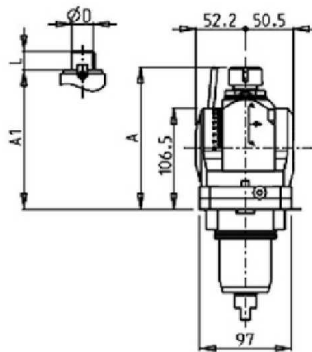
WT300 - SC300 - SC300II - TW20MY/MMY/MMYY 12 ST. - TW30MY/MMY/MMYY 16 ST.



PartNumber	Description	Spindle	I	RPM	Reversible	Ext Cool
NKM1550325	Axial Single Side Twin in Y ERA25	ERA25	1:1	6000	X	X

0-180 ADJUSTABLE ANGLE DRIVEN TOOL

WT300 - SC300 - SC300II - TMC200/300M - SUPER NTX - SUPER NTXL - TW20M/MY/MM/MMY/MMYY 12 ST. - TW30M/MY/MM/MMY/MMYY 16 ST.



PartNumber	Description	Spindle	I	RPM	Ext Cool	A	A1	D	L
NKM1270120	0-180 Adj. Angle ER20	ER20	1:1	6000	X	149.66			
NKM1270125	0-180 Adj. Angle ER25	ER25	1:1	6000	X	150.66			
NKM1270519	0-180 Adj. Angle 3/4"x3/4"	3/4"x3/4"	1:1	6000	X	129.5	3/4"	3/4"	
NKM1270516	0-180 Adj. Angle 16x17mm	16x17	1:1	6000	X	129.5	16	17	
NKM1270522	0-180 Adj. Angle 22x19mm	22x19	1:1	6000	X	130.5	22	19	

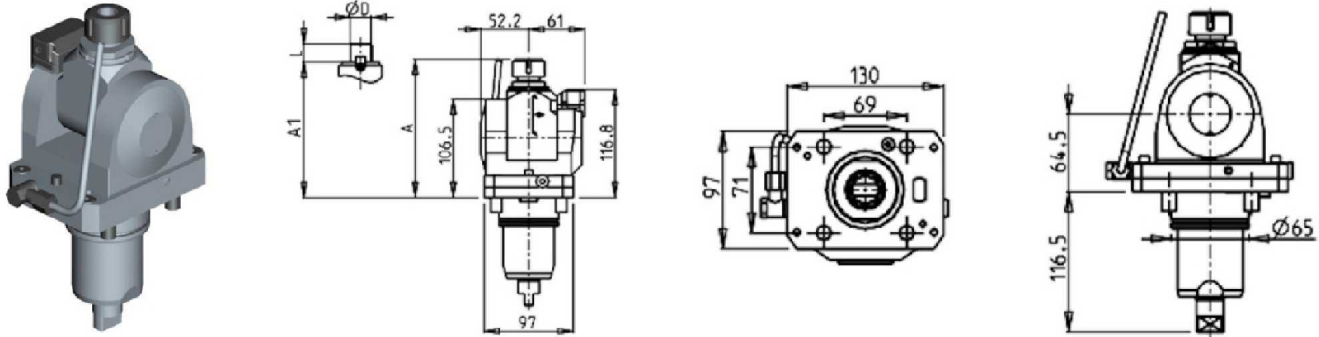
Note : Wrenches are provided with the purchase of Specialty Toolholders

WT300 - SC300 - SC300II 12 ST. - TMC200/300M - SUPER NTX - SUPER NTXL - TW20M/MY/MM/MMY/MMYY 12 ST. - TW30M/MY/MM/MMY/MMYY 16 ST.

DRIVEN

0-180 ADJUSTABLE ANGLE DRIVEN TOOL WITH DIGITAL DISPLAY

WT300 - SC300 - SC300II - TMC200/300M - SUPER NTX - SUPER NTXL - TW20M/MY/MM/MMY/MMYY 12 ST. - TW30M/MY/MM/MMY/MMYY 16 ST.



PartNumber	Description	Spindle	I	RPM	Ext Cool	A	A1	D	L
NKM1230120	0-180 Adj. Angle with Digital Display ER20	ER20	1:1	6000	X	149.66			
NKM1230125	0-180 Adj. Angle with Digital Display ER25	ER25	1:1	6000	X	150.66			
NKM1230519	0-180 Adj. Angle with Digital Display 3/4"x3/4"	3/4"x3/4"	1:1	6000	X		129.5	3/4"	3/4"
NKM1230516	0-180 Adj. Angle with Digital Display 16x17mm	16x17	1:1	6000	X		129.5	16	17
NKM1230522	0-180 Adj. Angle with Digital Display 22x19mm	22x19	1:1	6000	X		130.5	22	19

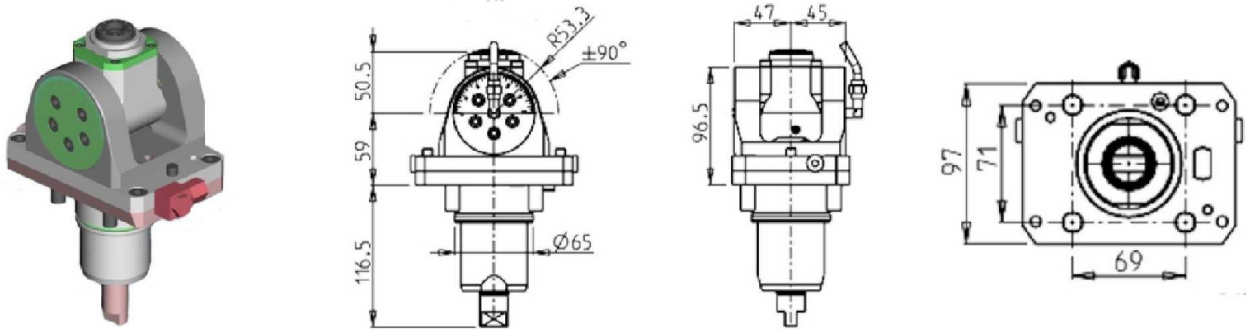
Note : Wrenches are provided with the purchase of Specialty Toolholders

WT300 - SC300 - SC300II 12 ST. - TMC200/300M - SUPER NTX - SUPER NTXL - TW20M/MY/MM/MMY/MMYY 12 ST. - TW30M/MY/MM/MMY/MMYY 16 ST.

DRIVEN

0-180 ADJUSTABLE ANGLE DRIVEN TOOL

WT300 - SC300 - SC300II - TMC200/300M - SUPER NTX - SUPER NTXL - TW20M/MY/MM/MMY/MMYY 12 ST. - TW30M/MY/MM/MMY/MMYY 16 ST.



PartNumber	Description	Spindle	I	RPM	Cool Thru	Ext Cool
NKM0800120	Adj. Angle (0-180) ERA20	ERA20	1:1	6000		X
NKM0800220	Adj. Angle (0-180) ERA20 Cool Thru*	ERA20	1:1	6000	X	X

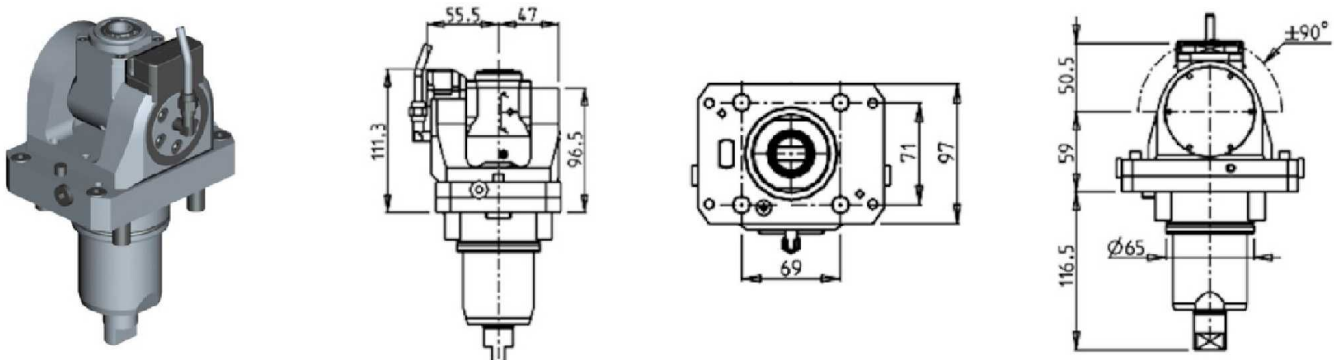
* Coolant Thru tools are designed for 1000 psi.
They require 5 Micron Filtration and **CANNOT** be run dry.

Note :

Wrenches are provided with the purchase of Specialty Toolholders

0-180 ADJUSTABLE ANGLE DRIVEN TOOL WITH DIGITAL DISPLAY

WT300 - SC300 - SC300II - TMC200/300M - SUPER NTX - SUPER NTXL - TW20M/MY/MM/MMY/MMYY 12 ST. - TW30M/MY/MM/MMY/MMYY 16 ST.



PartNumber	Description	Spindle	I	RPM	Cool Thru	Ext Cool
NKM0805120	0-180 Adj. Angle with Digital Display ERA20	ERA20	1:1	6000		X
NKM0805220	0-180 Adj. Angle with Digital Display ERA20 Cool Thru*	ERA20	1:1	6000	X	X

* Coolant Thru tools are designed for 1000 psi.
They require 5 Micron Filtration and **CANNOT** be run dry.

Note :

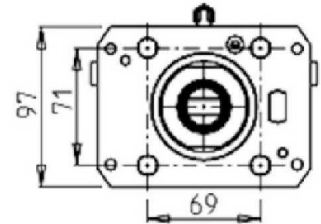
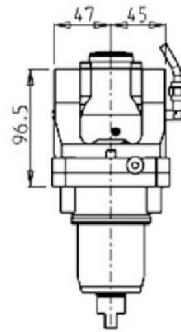
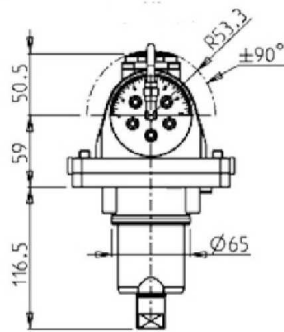
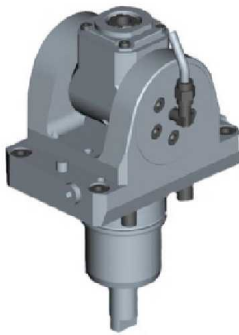
Wrenches are provided with the purchase of Specialty Toolholders

WT300 - SC300 - SC300II 12 ST. - TMC200/300M - SUPER NTX - SUPER NTXL - TW20M/MY/MM/MMY/MMYY 12 ST. - TW30M/MY/MM/MMY/MMYY 16 ST.

DRIVEN

0-180 ADJUSTABLE ANGLE DRIVEN TOOL GEARED-UP 1:2

WT300 - SC300 - SC300II - TMC200/300M - SUPER NTX - SUPER NTXL - TW20M/MY/MM/MMY/MMYY 12 ST. - TW30M/MY/MM/MMY/MMYY 16 ST.



PartNumber	Description	Spindle	I	RPM	Cool Thru	Ext Cool
NKM0800316	Adj. Angle (0-180) Geared-Up 1:2 ERA16	ERA16	1:2	12000		X
NKM0800416	Adj. Angle (0-180) Geared-Up 1:2 ERA16 Cool Thru*	ERA16	1:2	12000	X	X

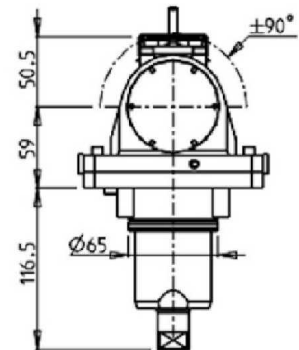
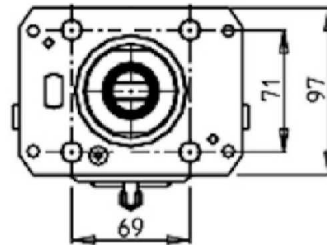
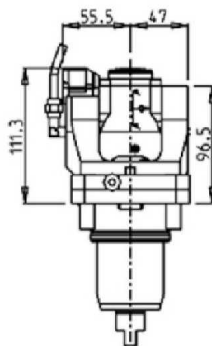
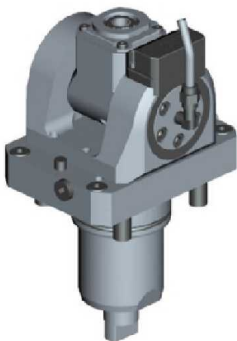
* Coolant Thru tools are designed for 1000 psi.
They require 5 Micron Filtration and **CANNOT** be run dry.

Note :

Wrenches are provided with the purchase of Specialty Toolholders

0-180 ADJUSTABLE ANGLE DRIVEN TOOL GEARED-UP 1:2 WITH DIGITAL DISPLAY

WT300 - SC300 - SC300II - TMC200/300M - SUPER NTX - SUPER NTXL - TW20M/MY/MM/MMY/MMYY 12 ST. - TW30M/MY/MM/MMY/MMYY 16 ST.



PartNumber	Description	Spindle	I	RPM	Cool Thru	Ext Cool
NKM0805316	0-180 Adj. Angle Geared-Up ERA16 with Digital Display	ERA16	1:2	12000		X
NKM0805416	0-180 Adj. Angle Geared-Up ERA16 with Digital Display Cool Thru*	ERA16	1:2	12000	X	X

* Coolant Thru tools are designed for 1000 psi.
They require 5 Micron Filtration and **CANNOT** be run dry.

Note :

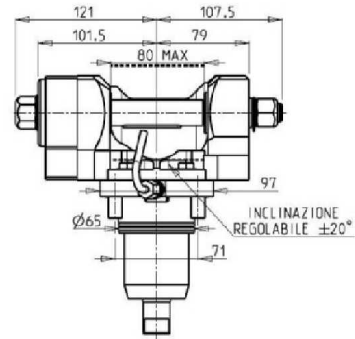
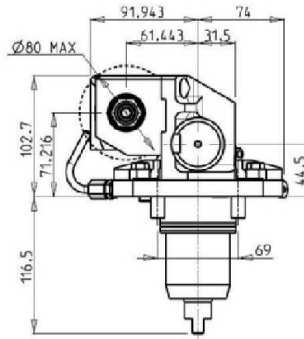
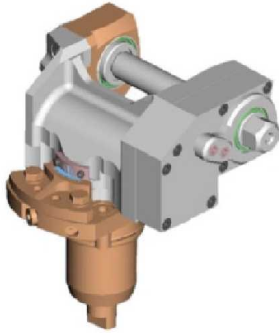
Wrenches are provided with the purchase of Specialty Toolholders

WT300 - SC300 - SC300II 12 ST. - TMC200/300M - SUPER NTX - SUPER NTXL - TW20M/MY/MM/MMY/MMYY 12 ST. - TW30M/MY/MM/MMY/MMYY 16 ST.

DRIVEN

DRIVEN GEAR HOBBER

WT300 - SC300 - SC300II - TMC200/300M - SUPER NTX - SUPER NTXL - TW20M/MY/MM/MMY/MMYY 12 ST. - TW30M/MY/MM/MMY/MMYY 16 ST.



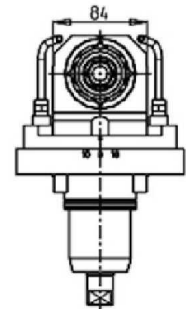
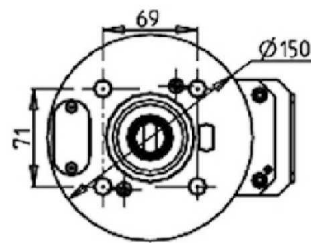
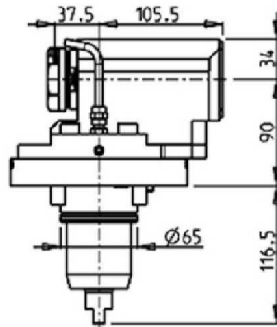
PartNumber	Description	I	MAX RPM	Reversible	Ext Cool	D mm	D Inch
NKM0311100	Gear Hobbing Tool 1:1	1:1	6000	X	X	16-22-27-32	3/4"-1"-1 1/4"
NKM0312100	Gear Hobbing Tool Geared Down 2:1	2:1	3000	X	X	16-22-27-32	3/4"-1"-1 1/4"

Note : Wrenches are provided with the purchase of Specialty Toolholders

QUICK CHANGE AXIAL MTSK DRIVEN TOOL FOR POWER SKIVING H=90mm

WT300 - SC300 - SC300II - TW20MY/MMY/MMYY 12 ST. - TW30MY/MMY/MMYY 16 ST.

See Accessories for MTSK Adaptors



PartNumber	Description	Spindle	I	RPM	Reversible	Ext Cool
NKM1180100	Axial MTSK-40 for Power Skiving	MTSK-40	1:1	6000	X	X

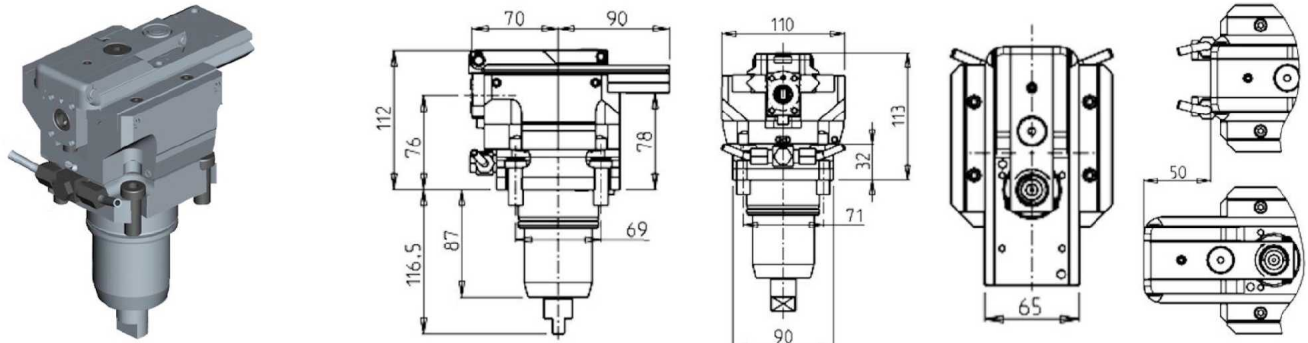
Note : Wrenches are provided with the purchase of Specialty Toolholders

WT300 - SC300 - SC300II 12 ST. - TMC200/300M - SUPER NTX - SUPER NTXL - TW20M/MY/MM/MMY/MMYY 12 ST. - TW30M/MY/MM/MMY/MMYY 16 ST.

DRIVEN

BROACHING/SLOTING DRIVEN TOOL 50mm STROKE

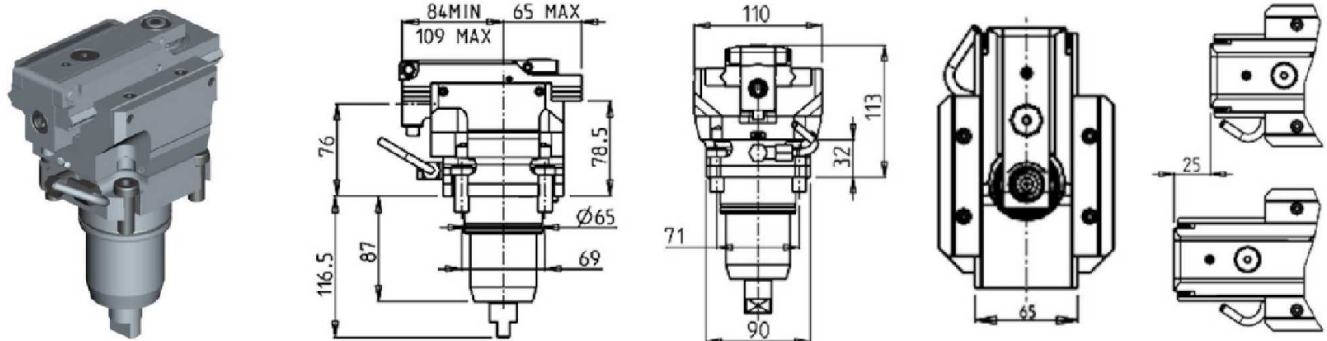
WT300 - SC300 - SC300II - TMC200/300M - SUPER NTX - SUPER NTXL - TW20M/MY/MM/MMY/MMYY 12 ST. - TW30M/MY/MM/MMY/MMYY 16 ST.



PartNumber	Description	I	MAX RPM	Reversible	Ext Cool
NKM0930100	Broaching/Slotting Driven Tool	4:1	2000	X	X

BROACHING/SLOTING DRIVEN TOOL 25mm STROKE

WT300 - SC300 - SC300II - TMC200/300M - SUPER NTX - SUPER NTXL - TW20M/MY/MM/MMY/MMYY 12 ST. - TW30M/MY/MM/MMY/MMYY 16 ST.



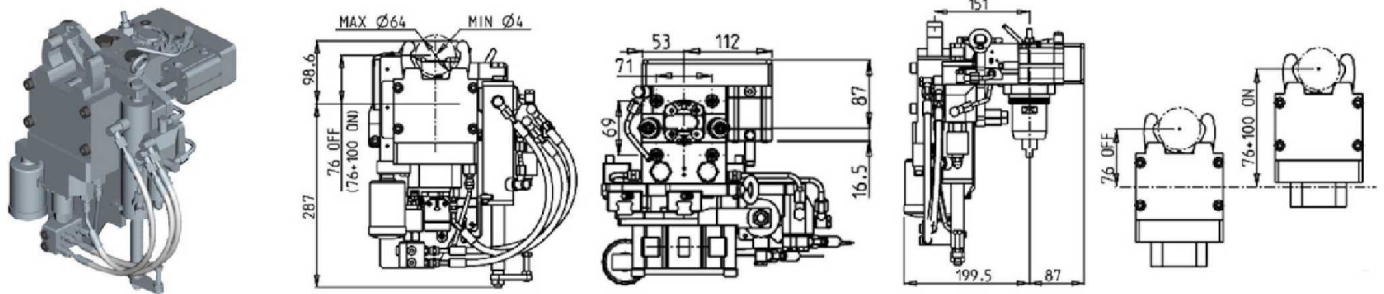
PartNumber	Description	I	MAX RPM	Reversible	Ext Cool
NKM0930200	Broaching/Slotting Driven Tool	4:1	2400	X	X

WT300 - SC300 - SC300II 12 ST. - TMC200/300M - SUPER NTX - SUPER NTXL - TW20M/MY/MM/MMY/MMYY 12 ST. - TW30M/MY/MM/MMY/MMYY 16 ST.

DRIVEN

DRIVEN TOOL HOLDER FOR SLIDING STEADY REST

WT300 - SUPER NTX



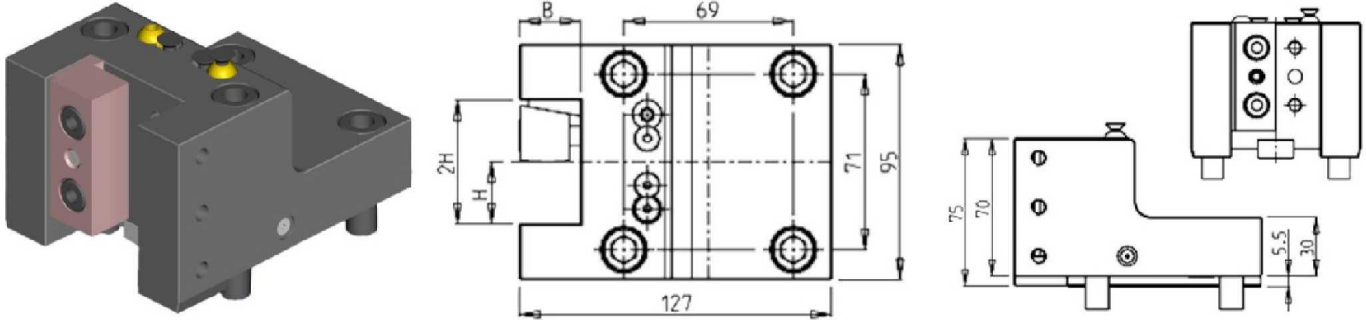
PartNumber	Description	I	RPM	Ext Cool	Electronics
NKM0950300	Driven Toolholder for Sliding Steady Rest (Size 1)	1:1	6000	X	
NKM0950300US	Driven Toolholder for Sliding Steady Rest (Size 1) with Electronics	1:1	6000	X	X

WT300 - SC300 - SC300II 12 ST. - TMC200/300M - SUPER NTX - SUPER NTXL - TW20M/MY/MM/MMY/MMYY 12 ST. - TW30M/MY/MM/MMY/MMYY 16 ST.

STATIC

RADIAL SINGLE STATIC TOOL

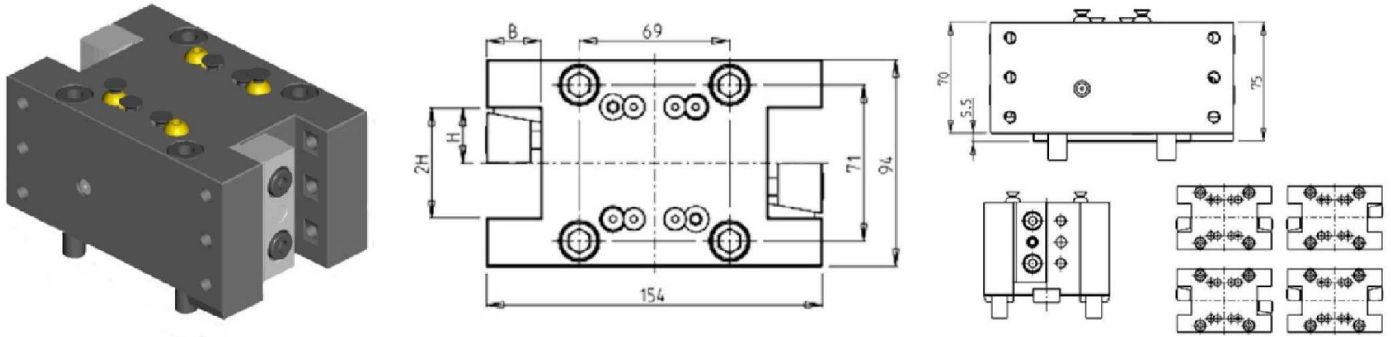
WT300 - SC300 - SC300II - TMC200/300M - SUPER NTX - SUPER NTXL - TW20M/MY/MM/MMY/MMYY 12 ST. - TW30M/MY/MM/MMY/MMYY 16 ST.



PartNumber	Description	# of Tools	Reversible	B	H
NKM0512500	Radial Static Tool 25mm	1/2	X	25	25

RADIAL DOUBLE STATIC TOOL

WT300 - SC300 - SC300II - TMC200/300M - SUPER NTX - SUPER NTXL - TW20M/MY/MM/MMY/MMYY 12 ST. - TW30M/MY/MM/MMY/MMYY 16 ST.



PartNumber	Description	# of Tools	Reversible	Ext Cool	Dimensions	B	H
NKM0532540	Radial Double Static Tool 1"	2	X	X	Inch	1"	1"
NKM0532500	Radial Double Static Tool 25mm	2	X	X	mm	25	25

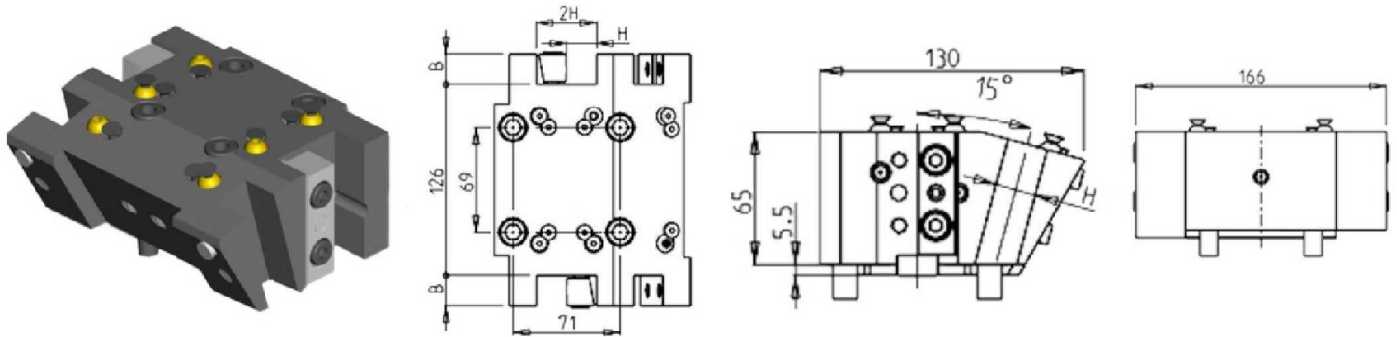
WT300 - SC300 - SC300II 12 ST. - TMC200/300M - SUPER NTX - SUPER NTXL - TW20M/MY/MM/MMY/MMYY 12 ST. - TW30M/MY/MM/MMY/MMYY 16 ST.

STATIC

RADIAL MULTIPLE STATIC TOOL

WT300 - SC300 - TW20M/MY/MM/MMY/MMYY 12 ST.

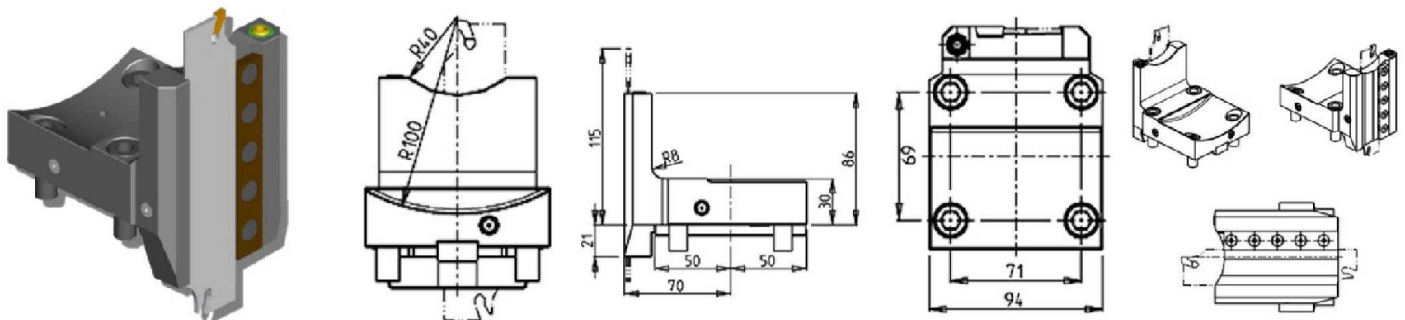
LOWER TURRET ONLY ON WT300 MACHINES



PartNumber	Description	# of Tools	Dimensions	B	H
NKM0571905	Radial Multiple Static Tool 3/4"	4	Inch	3/4"	3/4"
NKM0572000	Radial Multiple Static Tool 20mm	4	mm	20	20

RADIAL BLADE HOLDER WITH BLADE KIT

WT300 - SC300 - SC300II - TMC200/300M - SUPER NTX - SUPER NTXL - TW20M/MY/MM/MMY/MMYY 12 ST. - TW30M/MY/MM/MMY/MMYY 16 ST.



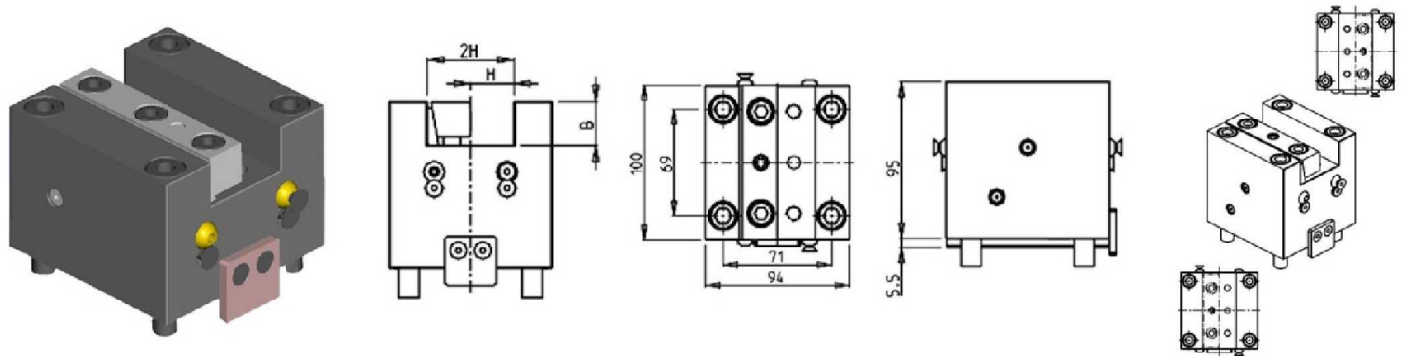
PartNumber	Description	# of Tools	Reversible
NKM0580132	Radial Blade Holder with Blade Kit	1	X
BLADEKIT	Blade Kit: 1 Blade, 10 Inserts		

WT300 - SC300 - SC300II 12 ST. - TMC200/300M - SUPER NTX - SUPER NTXL - TW20M/MY/MM/MMY/MMYY 12 ST. - TW30M/MY/MM/MMY/MMYY 16 ST.

STATIC

AXIAL SINGLE STATIC TOOL

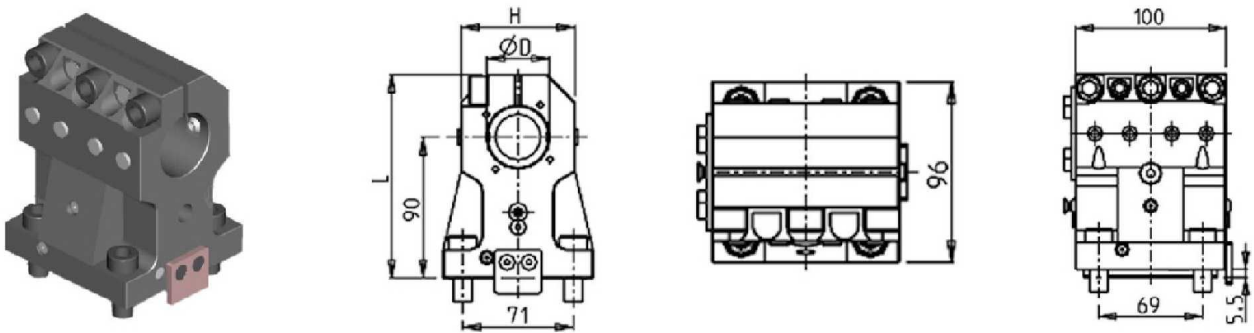
WT300 - SC300 - SC300II - TMC200/300M - SUPER NTX - SUPER NTXL - TW20M/MY/MM/MMY/MMYY 12 ST. - TW30M/MY/MM/MMY/MMYY 16 ST.



PartNumber	Description	# of Tools	Reversible	Ext Cool	Dimensions	B	H
NKM0522540	Axial Single Static 1"	1	X	X	Inch	1"	1"
NKM0522500	Axial Single Static 25mm	1	X	X	mm	25	25

AXIAL SINGLE BORING BAR HOLDER H=90mm

WT300 - SC300 - SC300II - TMC200/300M - SUPER NTX - SUPER NTXL - TW20M/MY/MM/MMY/MMYY 12 ST. - TW30M/MY/MM/MMY/MMYY 16 ST.



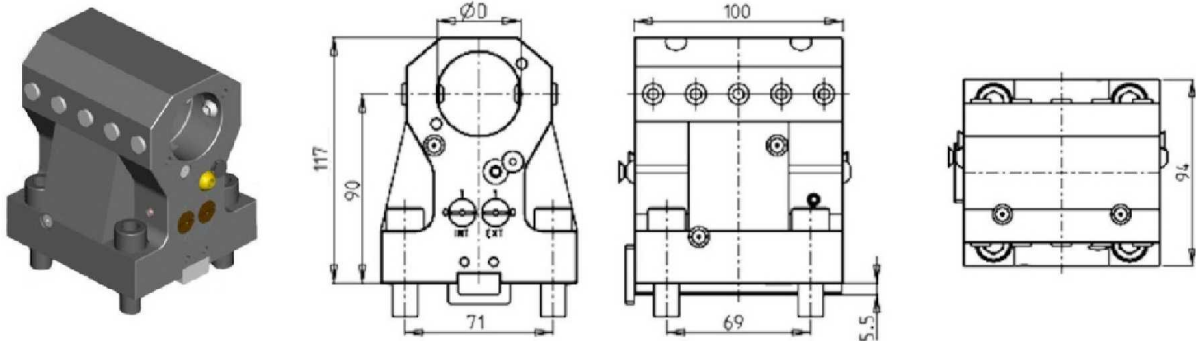
PartNumber	Description	Reversible	Ext Cool	Cool Thru	D	L	H
NKM0473810	Axial Single BBH 1-1/2"	X	X	X	1-1/2"	130	73
NKM0475080	Axial Single BBH 2"	X	X	X	2"	135	83
NKM0474000	Axial Single BBH 40mm	X	X	X	40	130	73
KIT1007004	Plug for 1-1/2" BBH to Make Cool Thru						
KIT1007002	Plug for 2" BBH to Make Cool Thru						
KIT1007003	Plug for 40mm BBH to Make Cool Thru						

WT300 - SC300 - SC300II 12 ST. - TMC200/300M - SUPER NTX - SUPER NTXL - TW20M/MY/MM/MMY/MMYY 12 ST. - TW30M/MY/MM/MMY/MMYY 16 ST.

STATIC

AXIAL SINGLE BORING BAR HOLDER H=90mm

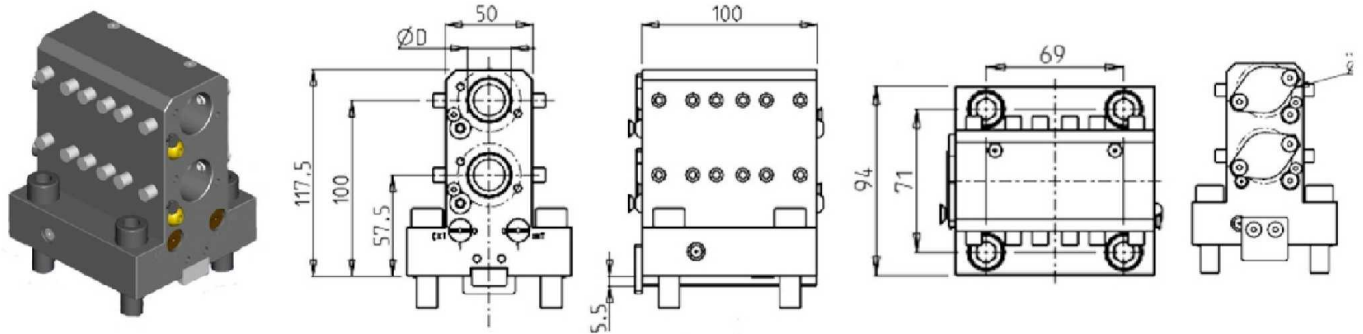
WT300 - SC300 - SC300II - TMC200/300M - SUPER NTX - SUPER NTXL - TW20M/MY/MM/MMY/MMYY 12 ST. - TW30M/MY/MM/MMY/MMYY 16 ST.



PartNumber	Description	# of Tools	Reversible	Cool Thru	Ext Cool	D
NKM0543200	Axial Single BBH 32mm	1	X	X	X	32
NKM0544000	Axial Single BBH 40mm	1	X	X	X	40
KIT1000001	Plug for 32mm or 1-1/4" BBH to Make Cool Thru					
KIT1000018	Plug for 40mm BBH to Make Cool Thru					

AXIAL 2 POSITION BORING BAR HOLDER

WT300 - SC300 - SC300II - TMC200/300M - SUPER NTX - SUPER NTXL - TW20M/MY/MM/MMY/MMYY 12 ST. - TW30M/MY/MM/MMY/MMYY 16 ST.



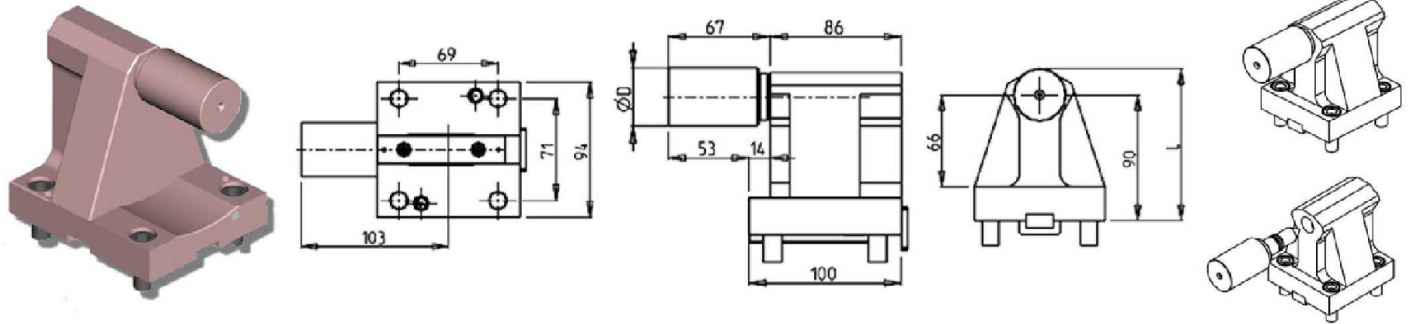
PartNumber	Description	# of Tools	Reversible	Cool Thru	Ext Cool	Dimensions	D
NKM0552540	Axial Double BBH 1"	2	X	X	X	Inch	1"
NKM0552500	Axial Double BBH 25mm	2	X	X	X	mm	25
KIT1000006	Plug for 25mm or 1" BBH to Make Cool Thru						

WT300 - SC300 - SC300II 12 ST. - TMC200/300M - SUPER NTX - SUPER NTXL - TW20M/MY/MM/MMY/MMYY 12 ST. - TW30M/MY/MM/MMY/MMYY 16 ST.

STATIC

TAILSTOCK FOR SUBSPINDLE

WT300 - SC300 - SC300II - SUPER NTX - SUPER NTXL



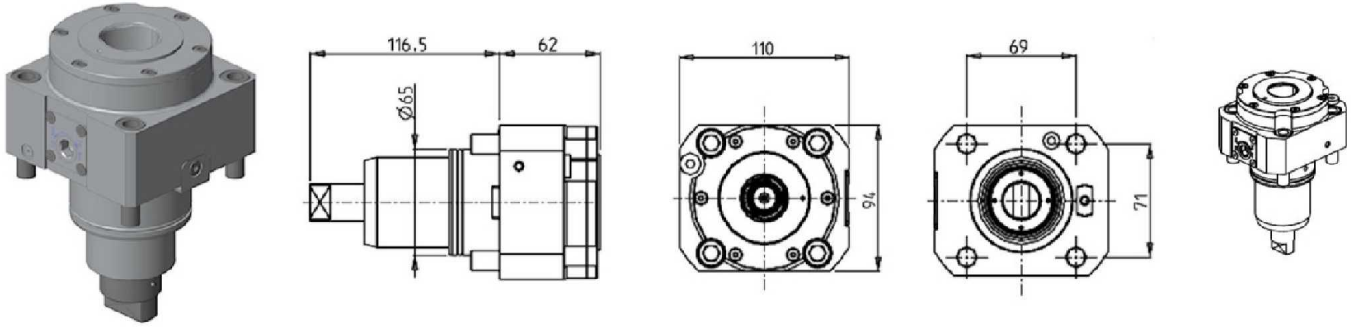
PartNumber	Description	# of Tools	D	L
NKM1620100L	Tailstock for Subspindle 2"	1	2"	115.5
NKM1620100	Tailstock for Subspindle 38mm	1	38	109

WT300 - SC300 - SC300II 12 ST. - TMC200/300M - SUPER NTX - SUPER NTXL - TW20M/MY/MM/MMY/MMYY 12 ST. - TW30M/MY/MM/MMY/MMYY 16 ST.

CAPTO DRIVEN

RADIAL DRIVEN TOOL CAPTO C4

WT300 - SC300 - SC300II - TMC200/300M - SUPER NTX - SUPER NTXL - TW20M/MY/MM/MMY/MMYY 12 ST. - TW30M/MY/MM/MMY/MMYY 16 ST.

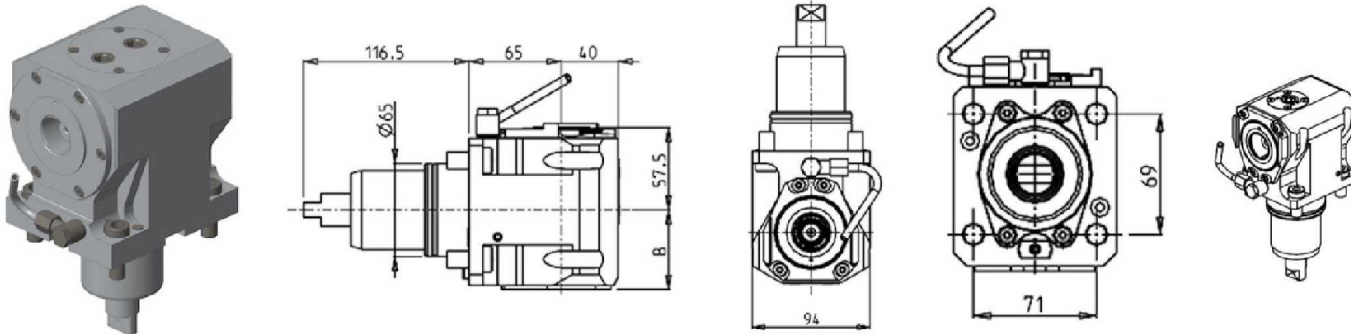


PartNumber	Description	Size	I	RPM	Cool Thru	Ext Cool
NKM2110240	Radial Driven Tool Capto C4 Cool Thru*	C4	1:1	6000	X	X

* Coolant Thru tools are designed for 1000 psi. They require 5 Micron Filtration and **CANNOT** be run dry.

AXIAL DRIVEN TOOL CAPTO C4

WT300 - SC300 - SC300II - TMC200/300M - SUPER NTX - SUPER NTXL - TW20M/MY/MM/MMY/MMYY 12 ST. - TW30M/MY/MM/MMY/MMYY 16 ST.



PartNumber	Description	Size	I	RPM	Reversible	Cool Thru	Ext Cool	B
NKM2130140	Axial Driven Tool Capto C4	C4	1:1	6000	X		X	55.5
NKM2130240	Axial Driven Tool Capto C4 Cool Thru*	C4	1:1	6000	X	X	X	66.5

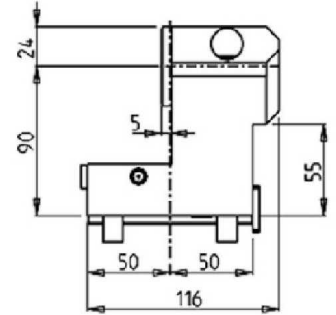
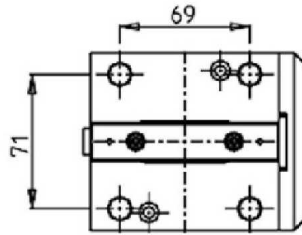
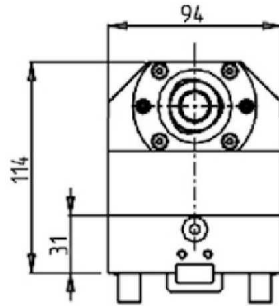
* Coolant Thru tools are designed for 1000 psi. They require 5 Micron Filtration and **CANNOT** be run dry.

WT300 - SC300 - SC300II 12 ST. - TMC200/300M - SUPER NTX - SUPER NTXL - TW20M/MY/MM/MMY/MMYY 12 ST. - TW30M/MY/MM/MMY/MMYY 16 ST.

CAPTO STATIC

AXIAL REAR-SET BORING SINGLE STATIC TOOL CAPTO C4

WT300 - SC300 - SC300II - SUPER NTX - SUPER NTXL - TW20M/MY/MM/MMY/MMYY 12 ST.



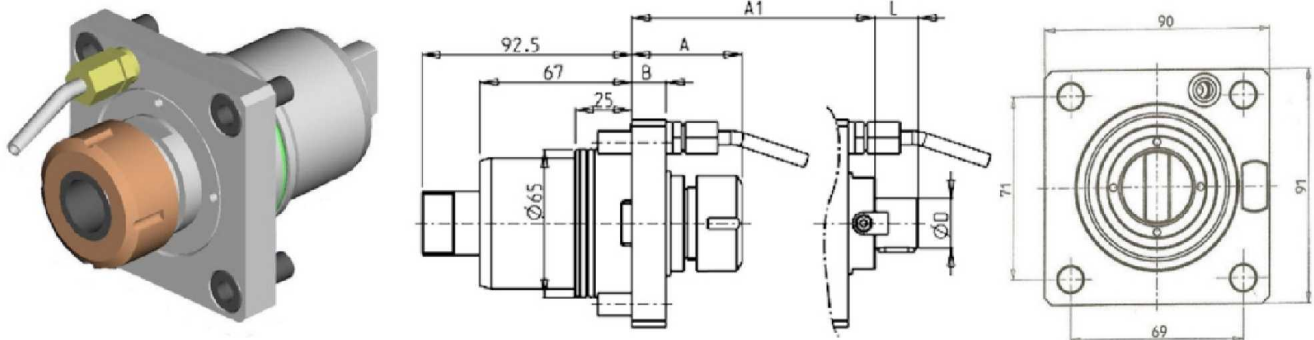
PartNumber	Description	Cool Thru	Ext Cool	Reversible	Size
NKM2124010	Axial Rear-Set Boring Single Static Capto C4 Right Hand	X	X	X	C4
NKM2124010LC	Axial Rear-Set Boring Single Static Capto C4 Left Hand	X	X	X	C4

SUPERMILL WT150/WT150II / WY250/SC200L - SUPER NTY3 JUMBO

DRIVEN

RADIAL DRIVEN TOOL

SUPERMILL WT150/WT150II/WY250/SC200L - SUPER NTY3 JUMBO

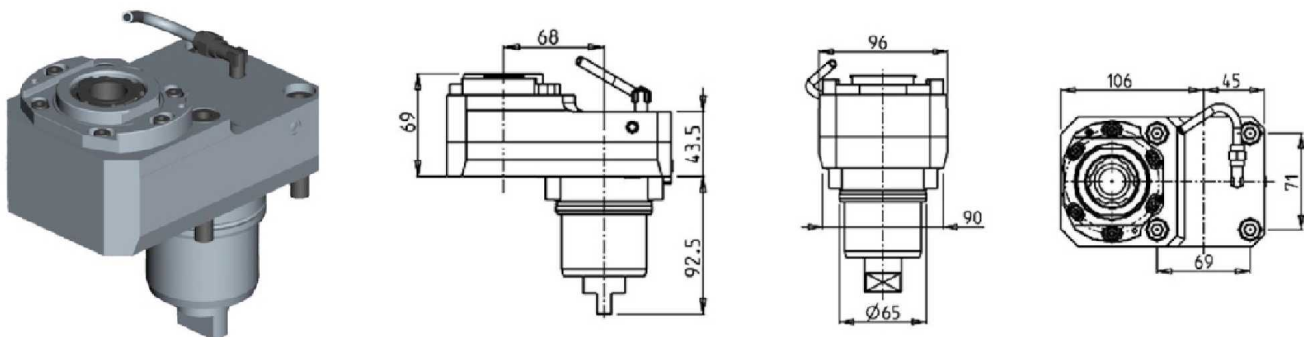


PartNumber	Description	Spindle	I	RPM	Cool Thru	Ext Cool	A	A1	B	D	L
NKM0280125	Radial ER25	ER25	1:1	6000		X	48.66		15		
NKM0280225	Radial ERA25 Cool Thru*	ERA25	1:1	6000	X	X	59.03		35		
NKM0280132	Radial ER32	ER32	1:1	6000		X	56.16		15		
NKM0280332	Radial ER32 Cool Thru*	ER32	1:1	6000	X	X	71.66		35		
NKM0280232	Radial ERA32 Cool Thru*	ERA32	1:1	6000	X	X	67.53		35		
NKM0280140	Radial ER40	ER40	1:1	6000		X	65.16		15		
NKM0281919	Radial Mill Head 3/4"3/4"	3/4" x 3/4"	1:1	6000		X		25	15	3/4"	3/4"
NKM0282519	Radial Mill Head 1"x19mm	1"x19	1:1	6000		X		29	15	1"	19
NKM0281617	Radial Mill Head 16x17mm	16x17	1:1	6000		X		25	15	16	17
NKM0282219	Radial Mill Head 22x19mm	22x19	1:1	6000		X		27	15	22	19
NKM0282721	Radial Mill Head 27x21mm	27x21	1:1	6000		X		28	15	27	21

*Coolant Thru tools are designed for 400 psi MAX.
They require 5 Micron Filtration and **CANNOT** be run dry.

RADIAL DRIVEN TOOL GEARED-DOWN 2:1 REDIRECTED IN Z BY 68mm

SUPERMILL WT150/WT150II/WY250/SC200L - SUPER NTY3 JUMBO



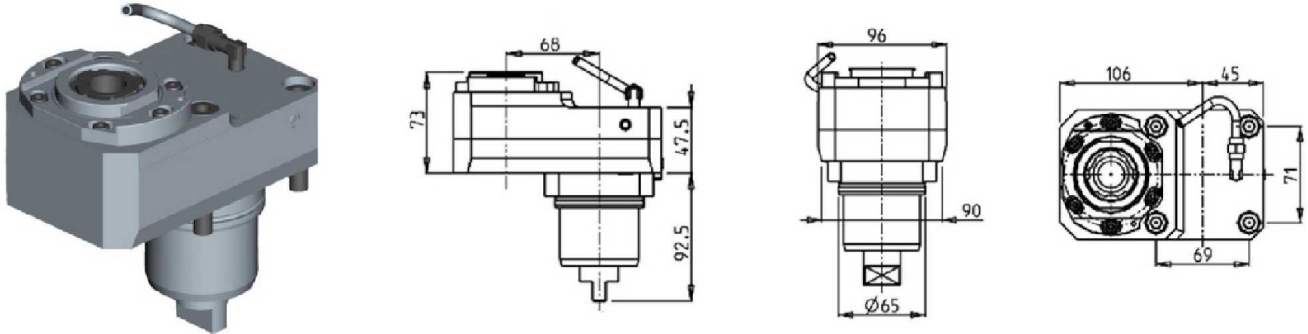
PartNumber	Description	Spindle	I	RPM	Reversible	Ext Cool
NKM0752132	Radial Geared Down 2:1 Re-Redirected in Z	ERA32	2:1	3000	X	X

SUPERMILL WT150/WT150II / WY250/SC200L - SUPER NTY3 JUMBO

DRIVEN

RADIAL DRIVEN TOOL GEARED-UP 1:2 REDIRECTED IN Z BY 68mm

SUPERMILL WT150/WT150II/WY250/SC200L - SUPER NTY3 JUMBO

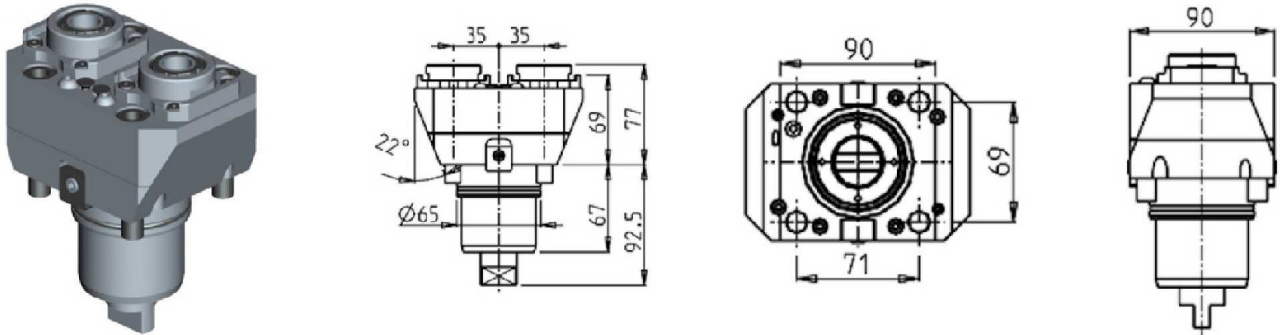


PartNumber	Description	Spindle	I	MAX RPM	Reversible	Cool Thru	Ext Cool
NKM0852132	Radial Geared-Up ERA25	ERA25	1:2	12000	X		X
NKM0854225	Radial Geared-Up ERA25 Cool Thru*	ERA25	1:2	12000	X	X	X

* Coolant Thru tools are designed for 1000 psi. They require 5 Micron Filtration and **CANNOT** be run dry.

RADIAL GEARED-UP 1:2 SINGLE SIDE TWIN HEAD DRIVEN TOOL IN Y

SUPERMILL WT150/WT150II/WY250/SC200L - SUPER NTY3 JUMBO



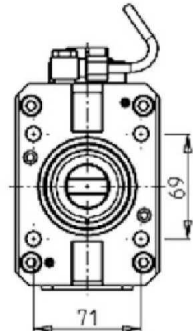
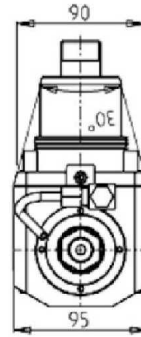
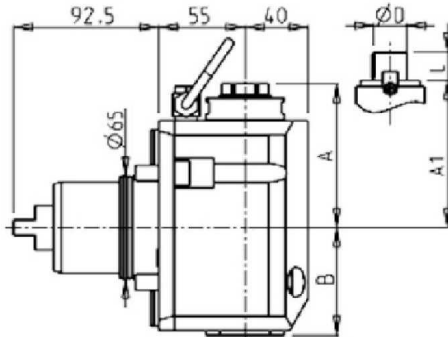
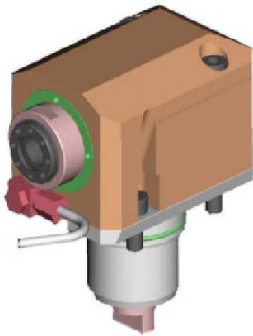
PartNumber	Description	Spindle	I	RPM	Ext Cool
NKM1120325	Radial Geared-Up Single Side Twin Head ERA25	ERA25	1:2	12000	X

SUPERMILL WT150/WT150II / WY250/SC200L - SUPER NTY3 JUMBO

DRIVEN

AXIAL DRIVEN TOOL H=55mm

SUPERMILL WT150/WT150II/WY250/SC200L - SUPER NTY3 JUMBO



PartNumber	Description	Spindle	I	RPM	Reversible	Cool Thru	Ext Cool	A	A1	B	D	L
NKM0290125	Axial ERA25	ERA25	1:1	6000	X		X	91.03		68		
NKM0290225	Axial ERA25 Cool Thru*	ERA25	1:1	6000	X	X	X	91.03		91.5		
NKM0290132	Axial ERA32	ERA32	1:1	6000	X		X	94.53		68		
NKM0290232	Axial ERA32 Cool Thru*	ERA32	1:1	6000	X	X	X	94.53		91.5		
NKM0290140	Axial ER40	ER40	1:1	6000	X		X	108.16		68		
NKM0290240	Axial ER40 Cool Thru*	ER40	1:1	6000	X	X	X	108.16		79		
NKM0292219	Axial Mill Head 22x19mm	22x19	1:1	6000	X		X		80	68	22	19

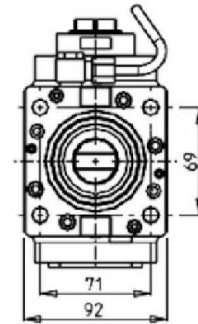
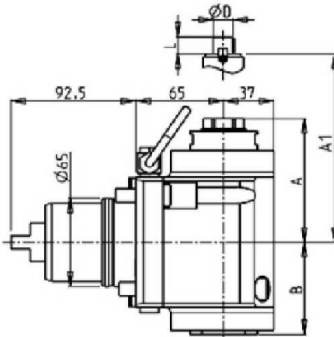
* Coolant Thru tools are designed for 1000 psi.
They require 5 Micron Filtration and **CANNOT** be run dry.

SUPERMILL WT150/WT150II / WY250/SC200L - SUPER NTY3 JUMBO

DRIVEN

AXIAL DRIVEN TOOL H=65mm

SUPERMILL WT150/WT150II/WY250/SC200L - SUPER NTY3 JUMBO



PartNumber	Description	Spindle	I	RPM	Reversible	Cool Thru	Ext Cool	A	A1	B
NKM0610125	Axial Driven Tool ERA25	ERA25	1:1	6000	X		X	91.03		68
NKM0610225	Axial Driven Tool ERA25 Cool Thru*	ERA25	1:1	6000	X	X	X	91.03		91.5
NKM0610132	Axial Driven Tool ERA32	ERA32	1:1	6000	X		X	94.53		68
NKM0610232	Axial Driven Tool ERA32 Cool Thru*	ERA32	1:1	6000	X	X	X	94.53		91.5
NKM0610140	Axial Driven Tool ER40	ER40	1:1	6000	X		X	108.16		68
NKM0610240	Axial Driven Tool ER40 Cool Thru*	ER40	1:1	6000	X	X	X	108.16		79
NKM0612219	Axial Driven Tool 22x19mm	22x19	1:1	6000	X		X		80	68

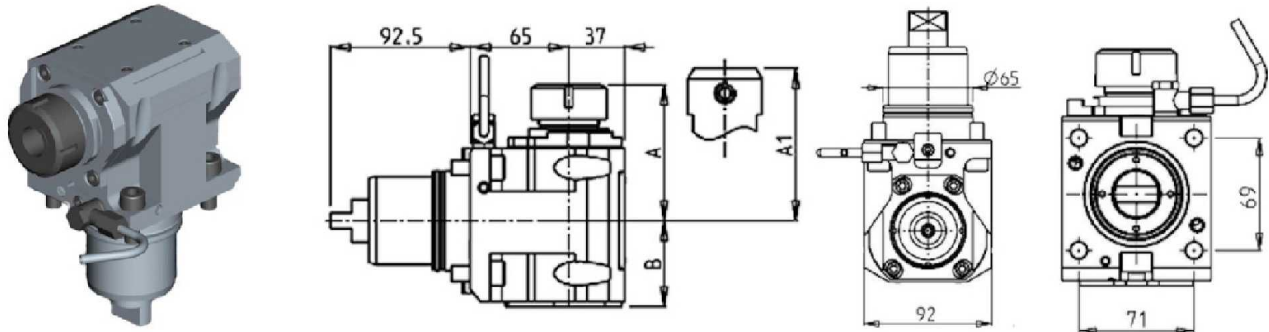
* Coolant Thru tools are designed for 1000 psi.
They require 5 Micron Filtration and **CANNOT** be run dry.

SUPERMILL WT150/WT150II / WY250/SC200L - SUPER NTY3 JUMBO

DRIVEN

AXIAL DRIVEN TOOL H=65mm

SUPERMILL WT150/WT150II/WY250/SC200L - SUPER NTY3 JUMBO



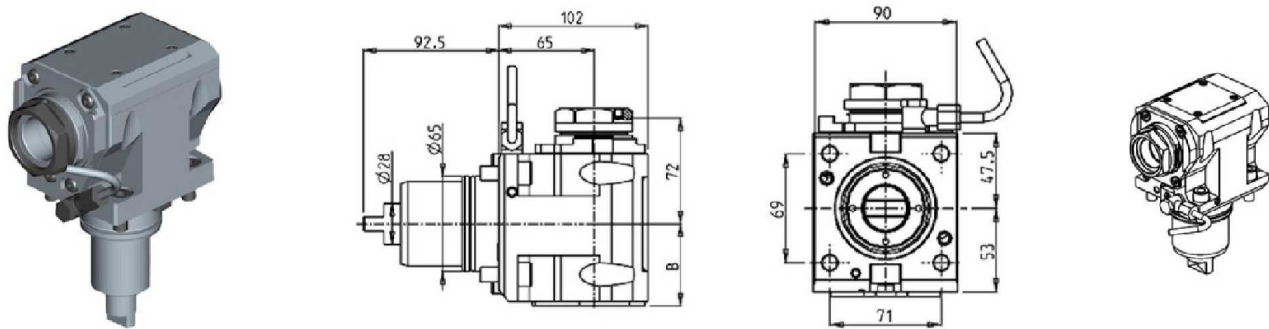
PartNumber	Description	Spindle	Reversible	I	RPM	Cool Thru	Ext Cool	A	A1	B
NKM0740132	Axial ER32	ER32	X	1:1	6000		X	88.66		56
NKM0740232	Axial ER32 Cool Thru*	ER32	X	1:1	6000	X	X	88.66		67
NKM0740140	Axial ER40	ER40	X	1:1	6000		X	99.16		56
NKM0740240	Axial ER40 Cool Thru*	ER40	X	1:1	6000	X	X	99.16		67
NKM0740716	Axial Weldon 16	WELDON 16	X	1:1	6000		X		91.5	56
NKM0740816	Axial Weldon 16	WELDON 16	X	1:1	6000		X		91.5	67

* Coolant Thru tools are designed for 1000 psi.
They require 5 Micron Filtration and **CANNOT** be run dry.

QUICK CHANGE AXIAL MTSK DRIVEN TOOL H=65mm

SUPERMILL WT150/WT150II/WY250/SC200L - SUPER NTY3 JUMBO

See Accessories for MTSK Adaptors



PartNumber	Description	Spindle	I	RPM	Reversible	Cool Thru	Ext Cool	B
NKM1440140	Axial MTSK-40	MTSK-40	1:1	6000	X		X	56
NKM1440240	Axial MTSK-40 Cool Thru*	MTSK-40	1:1	6000	X	X	X	67

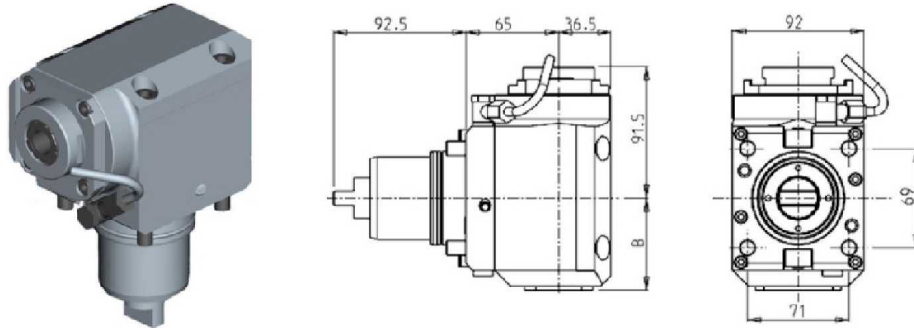
* Coolant Thru tools are designed for 1000 psi.
They require 5 Micron Filtration and **CANNOT** be run dry.

SUPERMILL WT150/WT150II / WY250/SC200L - SUPER NTY3 JUMBO

DRIVEN

AXIAL GEARED-UP 1:2 DRIVEN TOOL

SUPERMILL WT150/WT150II/WY250/SC200L - SUPER NTY3 JUMBO

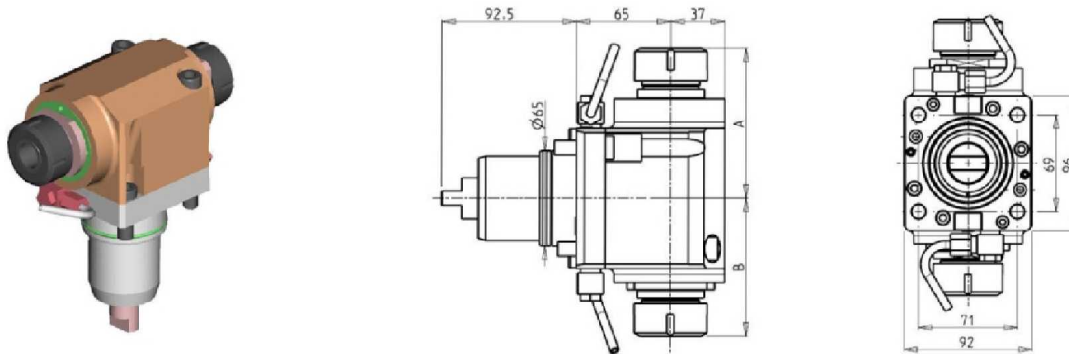


PartNumber	Description	Spindle	I	RPM	Reversible	Cool Thru	Ext Cool	B
NKM0860325	Axial Geared Up 1:2 ERA25	ERA25	1:2	12000	X		X	64
NKM0860425	Axial Geared Up 1:2 ERA25 Cool Thru*	ERA25	1:2	12000	X	X	X	74

* Coolant Thru tools are designed for 1000 psi.
They require 5 Micron Filtration and **CANNOT** be run dry.

AXIAL OPPOSITE FACE DRIVEN TOOL H=65mm

SUPERMILL WT150/WT150II/WY250/SC200L - SUPER NTY3 JUMBO



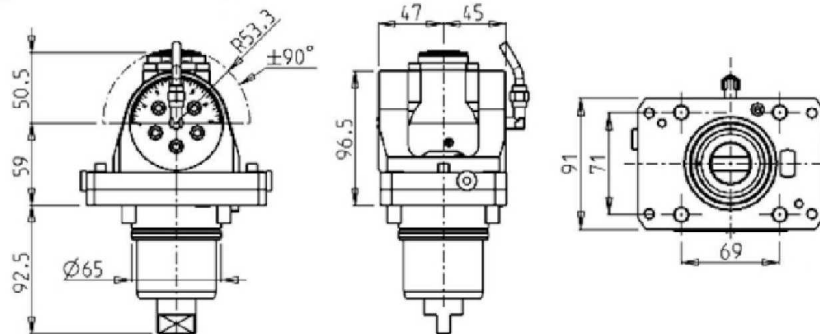
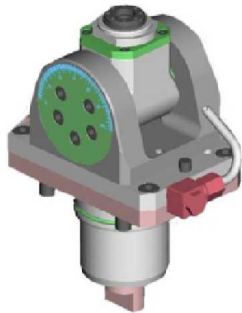
PartNumber	Description	Spindle	I	RPM	Reversible	Ext Cool	A	B
NKM0600232	Axial Opposite Face ER32+ER32	ER32+ER32	1:1	6000	X	X	102.66	94.26
NKM0600240	Axial Opposite Face ER40+ER40	ER40+ER40	1:1	6000	X	X	106.16	107.16

SUPERMILL WT150/WT150II / WY250/SC200L - SUPER NTY3 JUMBO

DRIVEN

0-180 ADJUSTABLE ANGLE DRIVEN TOOL

SUPERMILL WT150/WT150II/WY250/SC200L - SUPER NTY3 JUMBO



PartNumber	Description	Spindle	I	RPM	Reversible	Cool Thru	Ext Cool
NKM0810120	Adj. Angle (0-180) ERA20	ERA20	1:1	6000	X		X
NKM0810220	Adj. Angle (0-180) ERA20 Cool Thru*	ERA20	1:1	6000	X	X	X

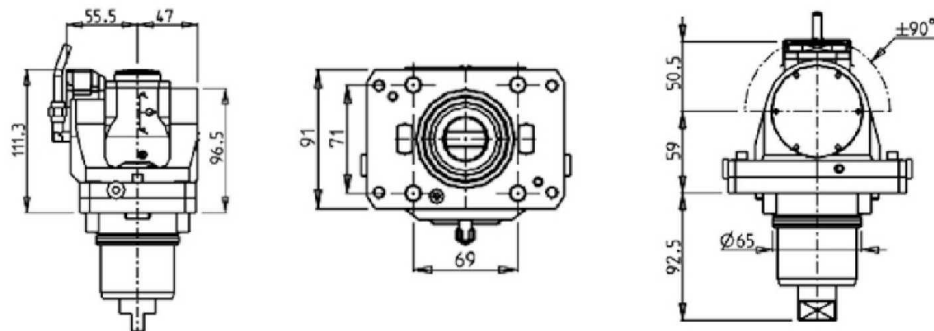
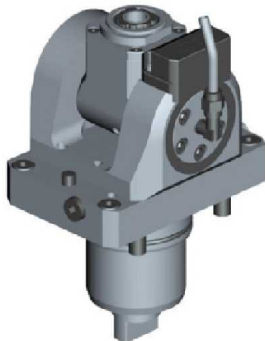
* Coolant Thru tools are designed for 1000 psi. They require 5 Micron Filtration and **CANNOT** be run dry.

Note :

Wrenches are provided with the purchase of Specialty Toolholders

0-180 ADJUSTABLE ANGLE DRIVEN TOOL WITH DIGITAL DISPLAY

SUPERMILL WT150/WT150II/WY250/SC200L - SUPER NTY3 JUMBO



PartNumber	Description	Spindle	I	RPM	Reversible	Cool Thru	Ext Cool
NKM0815120	0-180 Adj. Angle ERA20 with Digital Display	ERA20	1:1	6000	X		X
NKM0815220	0-180 Adj. Angle ERA20 with Digital Display Cool Thru*	ERA20	1:1	6000	X	X	X

* Coolant Thru tools are designed for 1000 psi. They require 5 Micron Filtration and **CANNOT** be run dry.

Note :

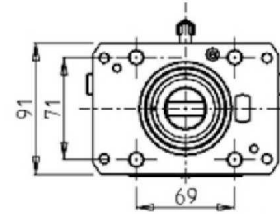
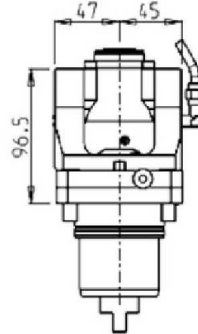
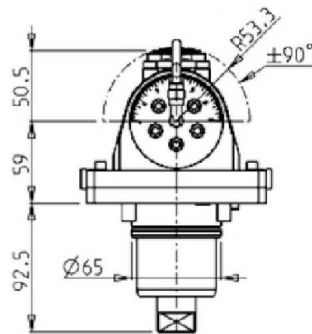
Wrenches are provided with the purchase of Specialty Toolholders

SUPERMILL WT150/WT150II / WY250/SC200L - SUPER NTY3 JUMBO

DRIVEN

0-180 ADJUSTABLE ANGLE DRIVEN TOOL GEARED UP 1:2

SUPERMILL WT150/WT150II/WY250/SC200L - SUPER NTY3 JUMBO



PartNumber	Description	Spindle	I	RPM	Reversible	Cool Thru	Ext Cool
NKM0810316	Adj. Angle (0-180) Geared-Up ERA16	ERA16	1:2	12000	X		X
NKM0810416	Adj. Angle (0-180) Geared-Up ERA16 Cool Thru*	ERA16	1:2	12000	X	X	X

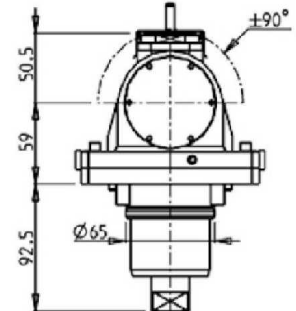
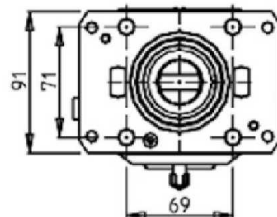
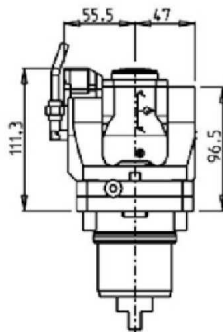
* Coolant Thru tools are designed for 1000 psi.
They require 5 Micron Filtration and **CANNOT** be run dry.

Note :

Wrenches are provided with the purchase of Specialty Toolholders

0-180 ADJUSTABLE ANGLE DRIVEN TOOL GEARED UP 1:2 WITH DIGITAL DISPLAY

SUPERMILL WT150/WT150II/WY250/SC200L - SUPER NTY3 JUMBO



PartNumber	Description	Spindle	I	RPM	Reversible	Cool Thru	Ext Cool
NKM0815316	0-180 Adj. Angle Geared-Up ERA16 with Digital Display	ERA16	1:2	12000	X		X
NKM0815416	0-180 Adj. Angle Geared-Up ERA16 with Digital Display Cool Thru*	ERA16	1:2	12000	X	X	X

* Coolant Thru tools are designed for 1000 psi.
They require 5 Micron Filtration and **CANNOT** be run dry.

Note :

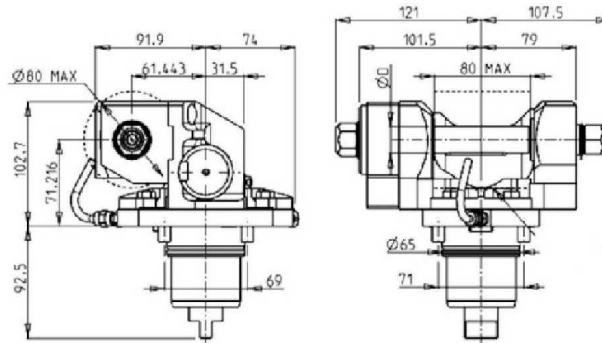
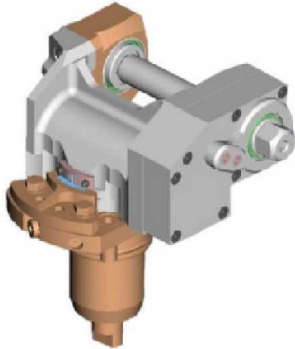
Wrenches are provided with the purchase of Specialty Toolholders

SUPERMILL WT150/WT150II / WY250/SC200L - SUPER NTY3 JUMBO

DRIVEN

DRIVEN GEAR HOBBER

SUPERMILL WT150/WT150II/WY250/SC200L - SUPER NTY3 JUMBO



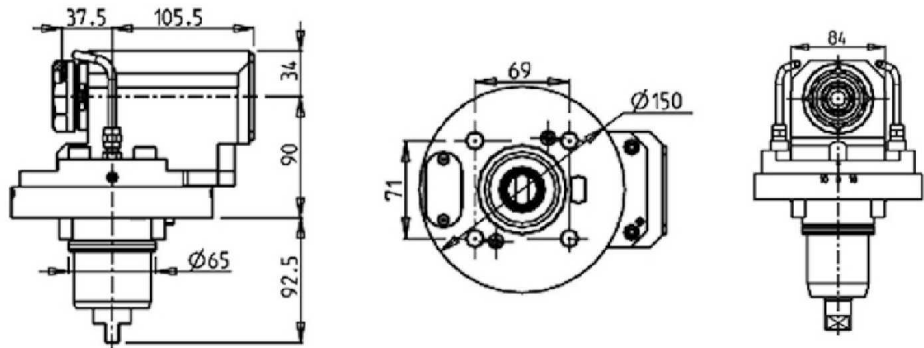
PartNumber	Description	I	MAX RPM	Reversible	Ext Cool	D mm	D Inch
NKM0331100	Gear Hobbing Tool 1:1	1:1	6000	X	X	16-22-27-32	3/4"-1"-1 1/4"
NKM0332100	Gear Hobbing Tool Geared Down 2:1	2:1	3000	X	X	16-22-27-32	3/4"-1"-1 1/4"

Note : Wrenches are provided with the purchase of Specialty Toolholders

QUICK CHANGE AXIAL MTSK DRIVEN TOOL FOR POWER SKIVING H=90mm

SUPERMILL WT150/WT150II/WY250/SC200L - SUPER NTY3 JUMBO

See Accessories for MTSK Adaptors



PartNumber	Description	Spindle	I	RPM	Reversible	Ext Cool
NKM1170100	Axial MTSK-40 for Power Skiving	MTSK-40	1:1	6000	X	X

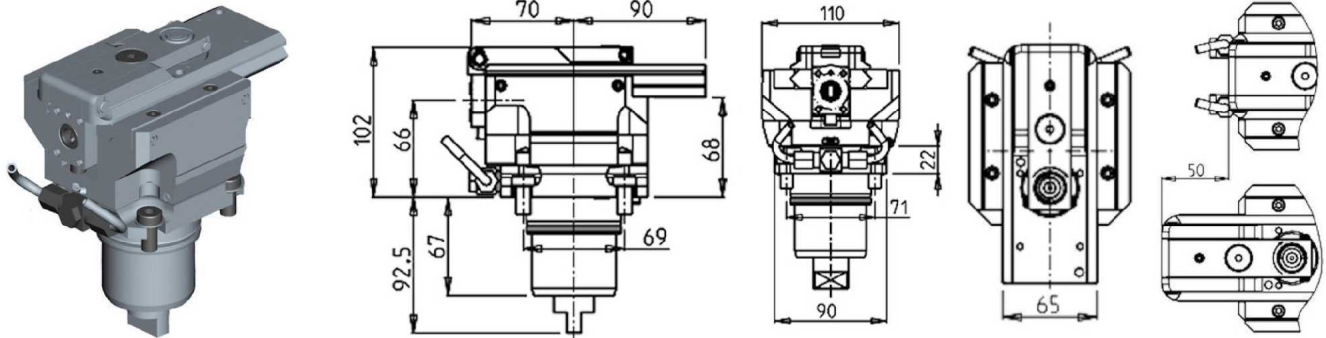
Note : Wrenches are provided with the purchase of Specialty Toolholders

SUPERMILL WT150/WT150II / WY250/SC200L - SUPER NTY3 JUMBO

DRIVEN

BROACHING/SLOTING DRIVEN TOOL 50mm STROKE

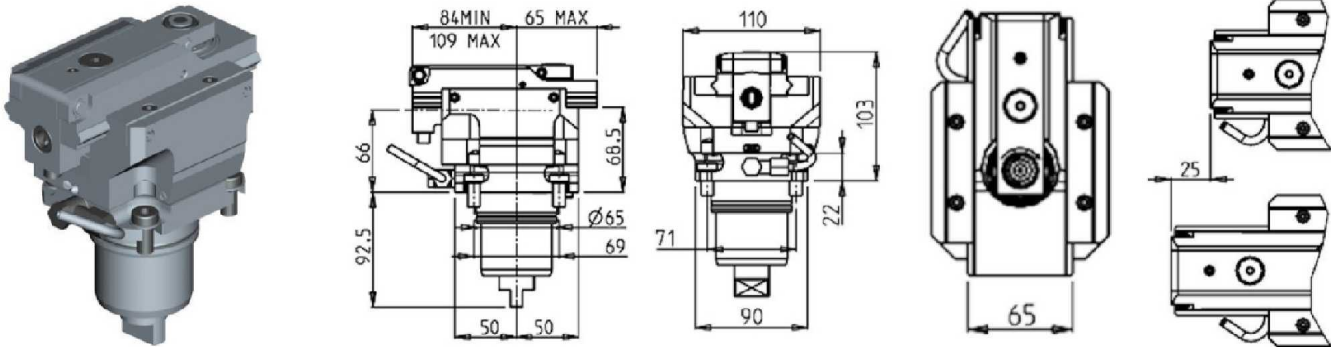
SUPERMILL WT150/WT150II/WY250/SC200L - SUPER NTY3 JUMBO



PartNumber	Description	I	MAX RPM	Reversible	Ext Cool
NKM0940100	Broaching/Slotting Driven Tool	4:1	2000	X	X

BROACHING/SLOTING DRIVEN TOOL 25mm STROKE

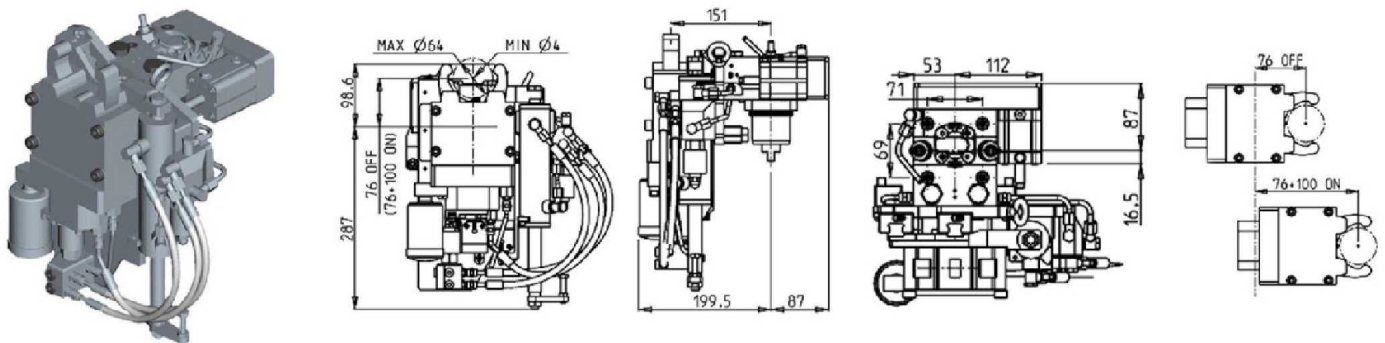
SUPERMILL WT150/WT150II/WY250/SC200L - SUPER NTY3 JUMBO



PartNumber	Description	I	MAX RPM	Reversible	Ext Cool
NKM0940200	Broaching/Slotting Driven Tool	4:1	2400	X	X

DRIVEN TOOL HOLDER FOR SLIDING STEADY REST

SUPERMILL WT150/WT150II/WY250 - SUPER NTY3 JUMBO



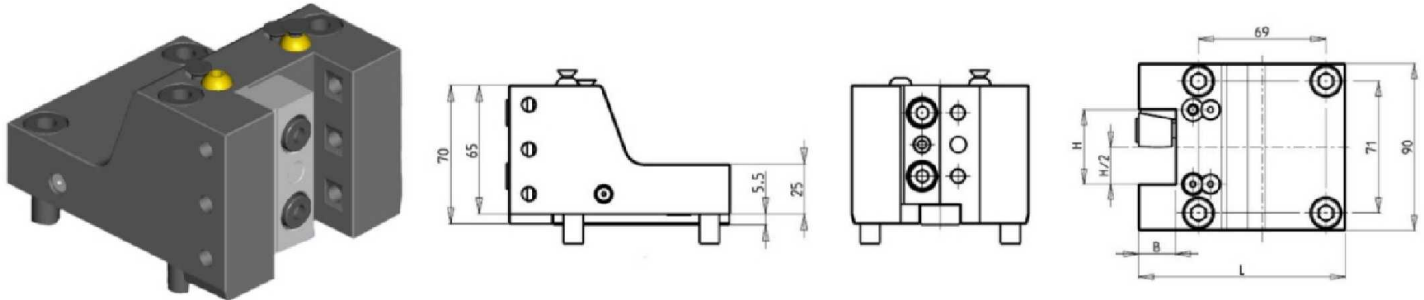
PartNumber	Description	I	RPM	Ext Cool	Electronics
NKM0820300	Driven Toolholder for Sliding Steady Rest (Size 1)	1:1	6000	X	
NKM0820300US	Driven Toolholder for Sliding Steady Rest (Size 1) with Electronics	1:1	6000	X	X

SUPERMILL WT150/WT150II / WY250/SC200L - SUPER NTY3 JUMBO

STATIC

RADIAL SINGLE STATIC TOOL

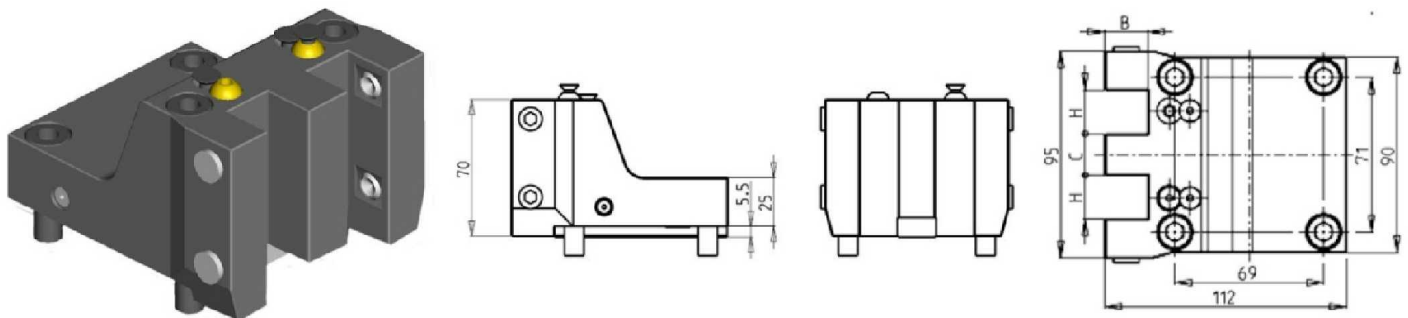
SUPERMILL WT150/WT150II/WY250/SC200L - SUPER NTY3 JUMBO



PartNumber	Description	# of Tools	Reversible	L	B	H
NKM0412000	Radial Single Static Tool 20mm	1/2	X	112	20	20
NKM0412500	Radial Single Static Tool 25mm	1/2	X	117	25	25

RADIAL SINGLE SIDE TWIN STATIC TOOL

SUPERMILL WT150/WT150II/WY250/SC200L - SUPER NTY3 JUMBO



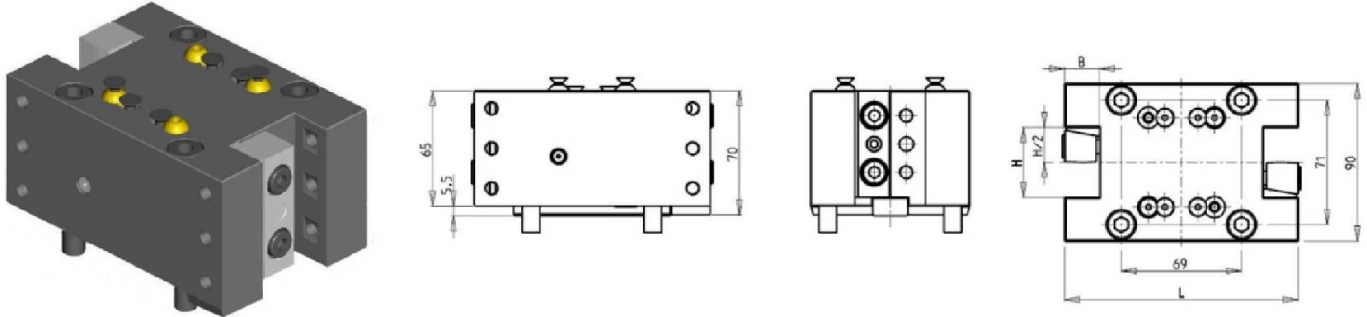
PartNumber	Description	# of Tools	Reversible	Dimensions	B	H	C
NKM0361905	Radial Single-Side Twin Static Tool 3/4"	2	X	Inch	3/4"	3/4"	19 (mm)
NKM0362000	Radial Single-Side Twin Static Tool 20mm	2	X	mm	20	20	19

SUPERMILL WT150/WT150II / WY250/SC200L - SUPER NTY3 JUMBO

STATIC

RADIAL DOUBLE STATIC TOOL

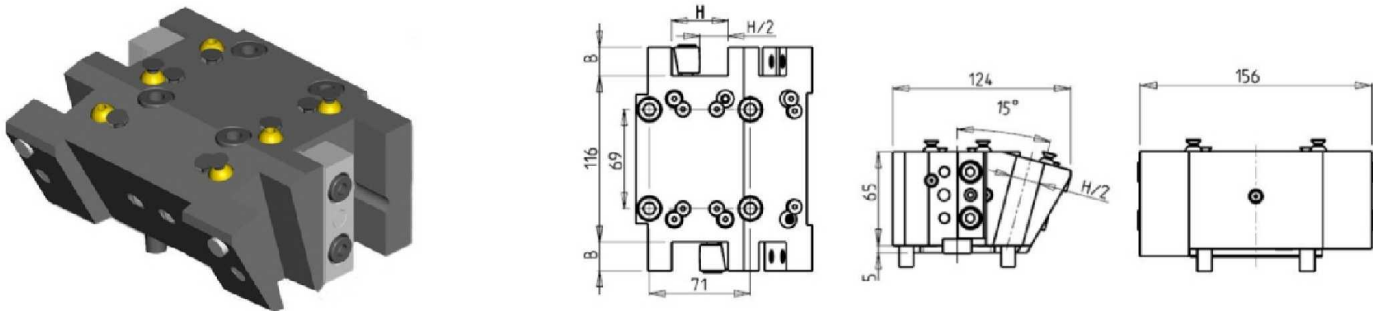
SUPERMILL WT150/WT150II/WY250/SC200L - SUPER NTY3 JUMBO



PartNumber	Description	# of Tools	Reversible	L	B	H
NKM0422000	Radial Double Static Tool 20mm	2	X	134	20	20
NKM0422500	Radial Double Static Tool 25mm	2	X	144	25	25

RADIAL MULTIPLE STATIC TOOL

SUPERMILL WT150/WT150II/WY250/SC200L - SUPER NTY3 JUMBO



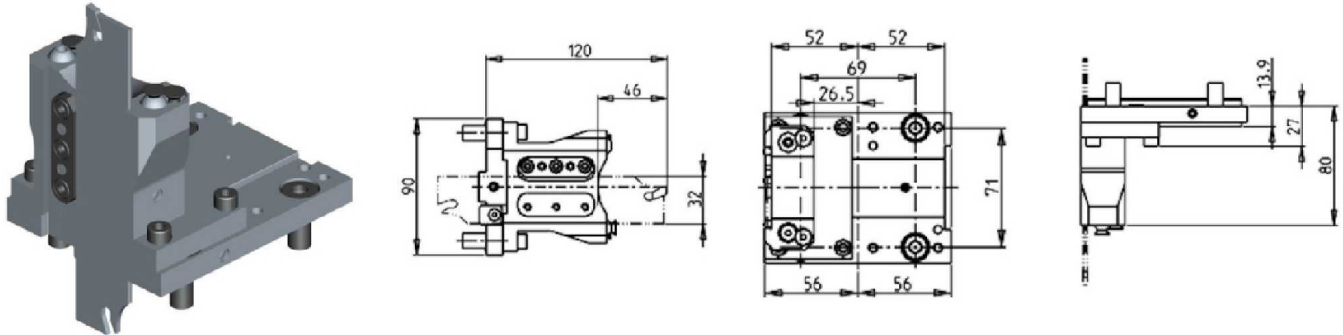
PartNumber	Description	# of Tools	Dimensions	H	B
NKM0381905	Radial Multiple Static Tool 3/4"x3/4"	4	Inch	3/4"	3/4"
NKM0382000	Radial Multiple Static Tool 20x20mm	4	mm	20	20

SUPERMILL WT150/WT150II / WY250/SC200L - SUPER NTY3 JUMBO

STATIC

RADIAL BLADE HOLDER WITH BLADE KIT

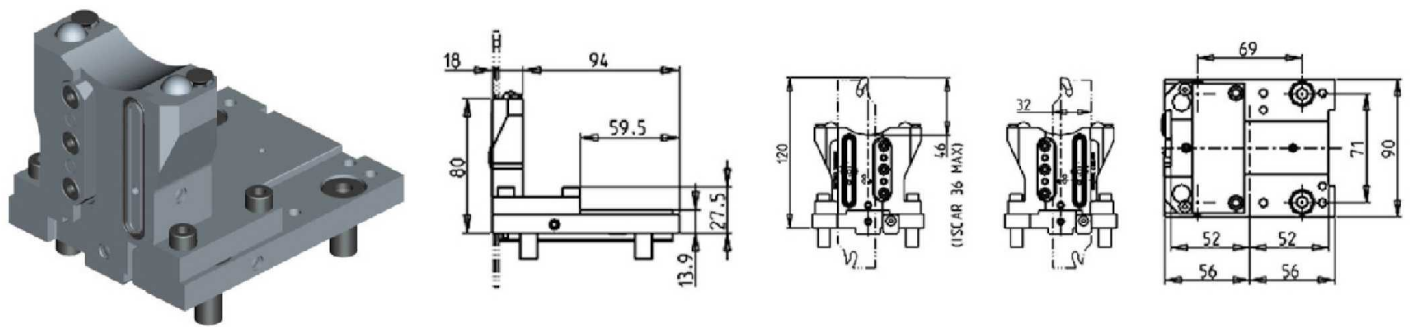
SUPERMILL WT150/WT150II/WY250/SC200L - SUPER NTY3 JUMBO



PartNumber	Description	# of Tools	Reversible	Ext Cool
NKM1150132	Radial Blade Holder with Blade Kit	1	X	X
BLADEKIT	Blade Kit: 1 Blade, 10 Inserts			

RADIAL BLADE HOLDER WITH INTERNAL COOLANT-BLADE KIT NOT INCLUDED

SUPERMILL WT150/WT150II/WY250/SC200L - SUPER NTY3 JUMBO



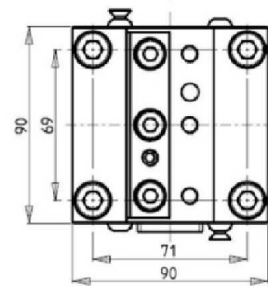
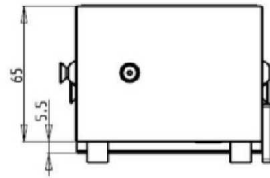
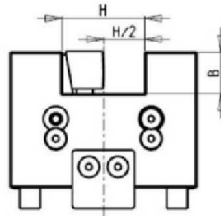
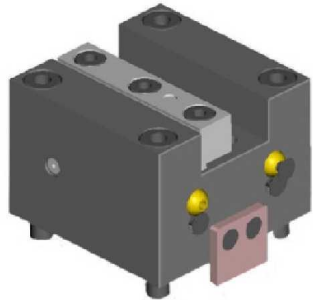
PartNumber	Description	# of Tools	Reversible	Ext Cool	Cool Thru
NKM1160132R	Radial Blade Holder Cool Thru Right Version	1	X	X	X
NKM1160132L	Radial Blade Holder Cool Thru Left Version	1	X	X	X
COOL THRU BLADEKIT	Blade Kit: 1 Blade, 10 Inserts				

SUPERMILL WT150/WT150II / WY250/SC200L - SUPER NTY3 JUMBO

STATIC

AXIAL SINGLE STATIC TOOL

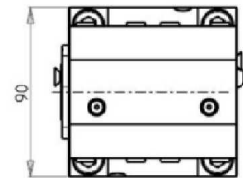
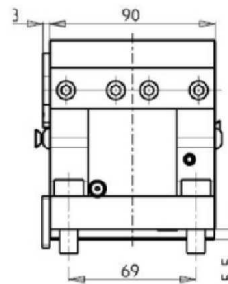
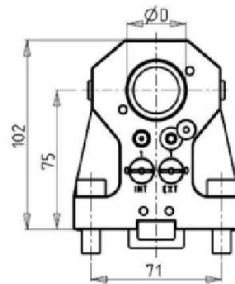
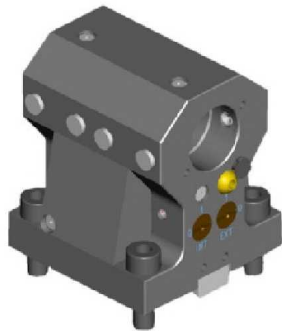
SUPERMILL WT150/WT150II/WY250/SC200L - SUPER NTY3 JUMBO



PartNumber	Description	# of Tools	Reversible	Dimensions	B	H
NKM0432000	Axial Single Static Tool 20mm	1	X	mm	20	20
NKM0432500	Axial Single Static Tool 25mm	1	X	mm	25	25

AXIAL SINGLE BORING BAR HOLDER H=75mm

SUPERMILL WT150/WT150II/WY250/SC200L - SUPER NTY3 JUMBO



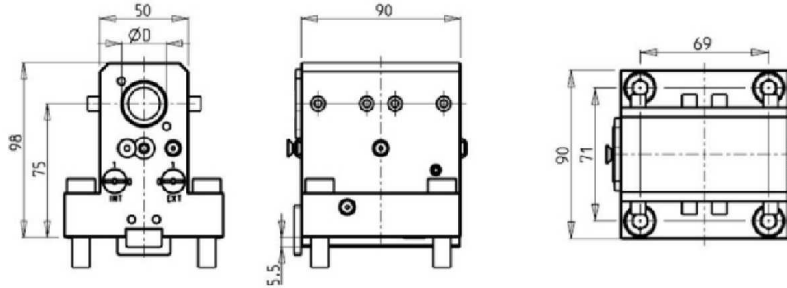
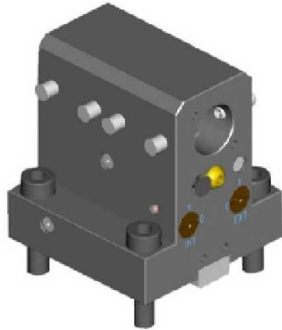
PartNumber	Description	# of Tools	Reversible	Cool Thru	Ext Cool	Dimensions	D
NKM0303810	Axial Single BBH 1-1/2" H=75mm	1	X	X	X	Inch	1-1/2"
NKM0303200	Axial Single BBH 32mm H=75mm	1	X	X	X	mm	32
NKM0304000	Axial Single BBH 40mm H=75mm	1	X	X	X	mm	40
KIT1000021	Plug for 1-1/2" BBH to Make Cool Thru						
KIT1000018	Plug for 40mm BBH to Make Cool Thru						
KIT1000001	Plug for 32mm or 1-1/4" BBH to Make Cool Thru						

SUPERMILL WT150/WT150II / WY250/SC200L - SUPER NTY3 JUMBO

STATIC

AXIAL SINGLE BORING BAR HOLDER H=75mm

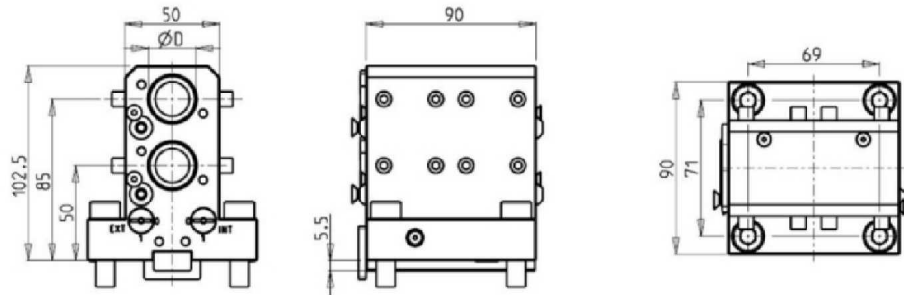
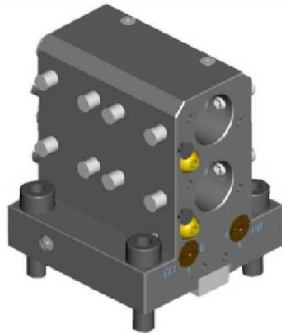
SUPERMILL WT150/WT150II/WY250/SC200L - SUPER NTY3 JUMBO



PartNumber	Description	# of Tools	Reversible	Cool Thru	Ext Cool	Dimensions	D
NKM0302540	Axial Single BBH 1" H=75mm	1	X	X	X	Inch	1"
NKM0302500	Axial Single BBH 25mm H=75mm	1	X	X	X	mm	25
KIT1000006	Plug for 25mm or 1" BBH to Make Cool Thru						

AXIAL 2 POSITION BORING BAR HOLDER

SUPERMILL WT150/WT150II/WY250/SC200L - SUPER NTY3 JUMBO



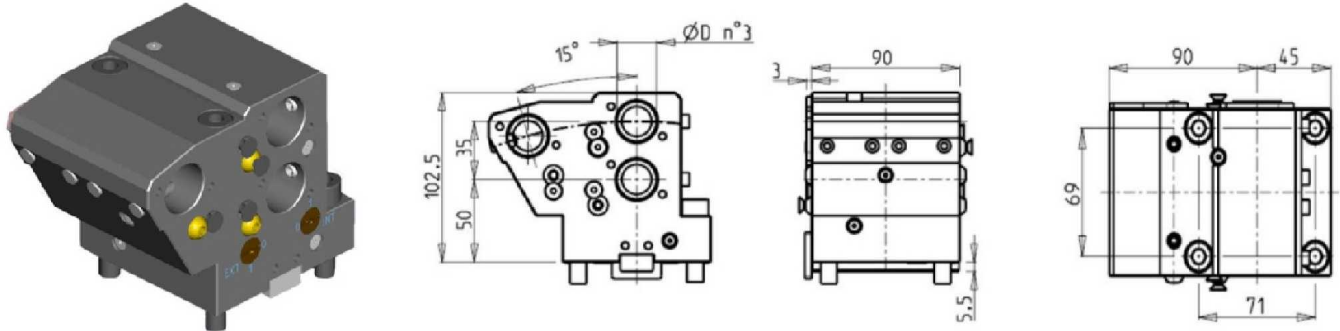
PartNumber	Description	# of Tools	Reversible	Cool Thru	Ext Cool	Dimensions	D
NKM0442540	Axial 2 Position BBH 1"	2	X	X	X	Inch	1"
NKM0442500	Axial 2 Position BBH 25mm	2	X	X	X	mm	25
KIT1000006	Plug for 25mm or 1" BBH to Make Cool Thru						

SUPERMILL WT150/WT150II / WY250/SC200L - SUPER NTY3 JUMBO

STATIC

AXIAL 3 POSITION BORING BAR HOLDER

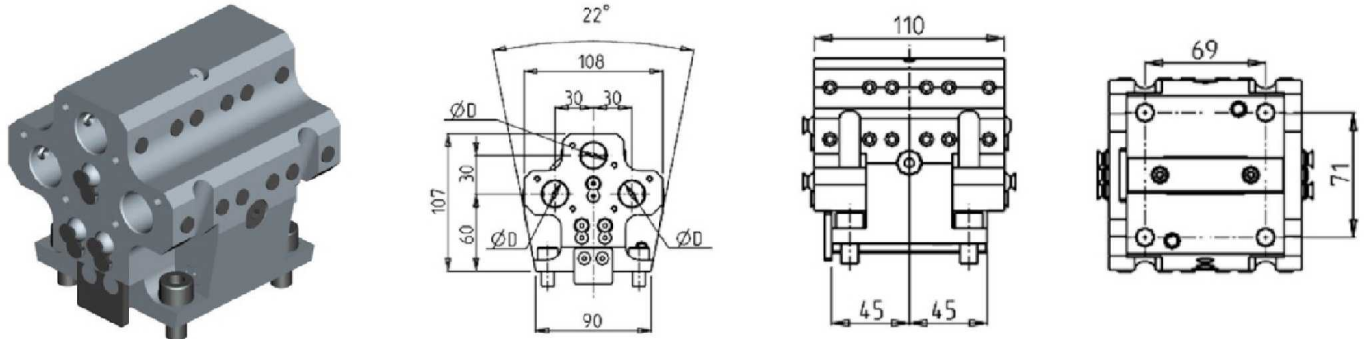
SUPERMILL WT150/WT150II/WY250/SC200L - SUPER NTY3 JUMBO



PartNumber	Description	# of Tools	Cool Thru	Ext Cool	Dimensions	D
NKM0392540	Axial 3 Position BBH 1"	3	X	X	Inch	1"
NKM0392500	Axial 3 Position BBH 25mm	3	X	X	mm	25
KIT1000006	Plug for 25mm or 1" BBH to Make Cool Thru					

AXIAL 3+3 POSITION BORING BAR HOLDER

SUPERMILL WT150/WT150II/WY250/SC200L - SUPER NTY3 JUMBO



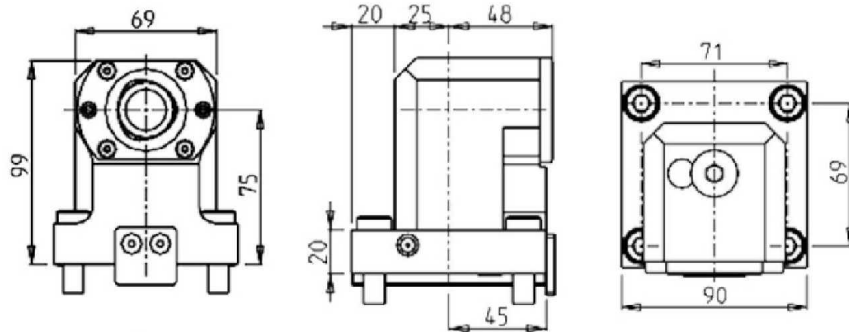
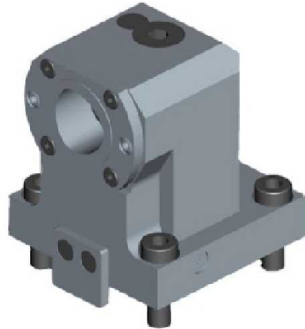
PartNumber	Description	# of Tools	Reversible	Cool Thru	Ext Cool	Dimensions	D
NKM1132000	Axial 3+3 Position BBH 20mm	3+3	X	X	X	mm	20
KIT1000005	Plug for 20mm BBH to Make Cool Thru						

SUPERMILL WT150/WT150II / WY250/SC200L - SUPER NTY3 JUMBO

CAPTO STATIC

AXIAL SINGLE STATIC TOOL CAPTO C4

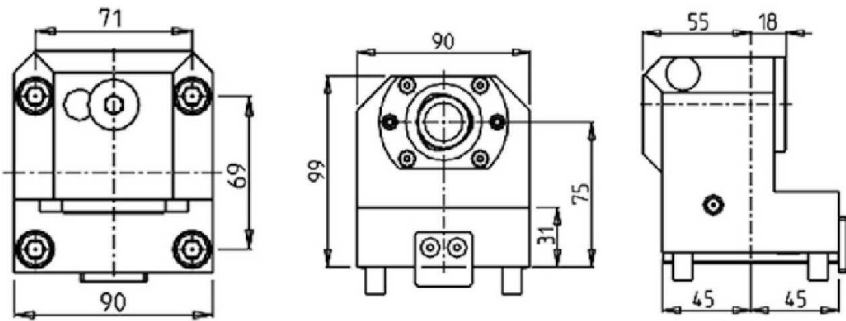
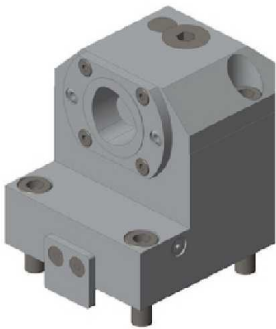
SUPERMILL WT150/WT150II/WY250/SC200L - SUPER NTY3 JUMBO



PartNumber	Description	# of Tools	Cool Thru	Reversible	Size
NKM0874010	Axial Single Static Capto C4 Right Hand	1	X	X	C4
NKM0874010LC	Axial Single Static Capto C4 Left Hand	1	X	X	C4

AXIAL REAR SET BORING SINGLE STATIC CAPTO C4

SUPERMILL WT150/WT150II/WY250/SC200L - SUPER NTY3 JUMBO



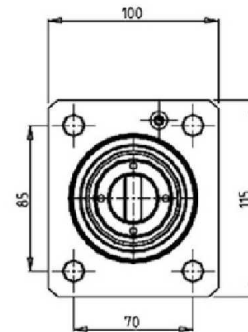
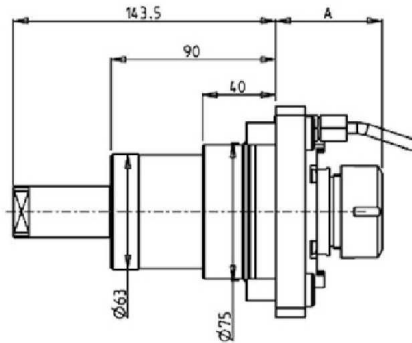
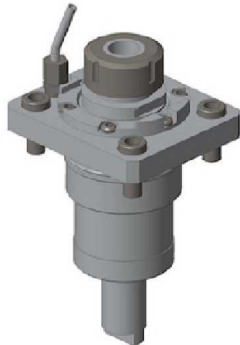
PartNumber	Description	# of Tools	Cool Thru	Reversible	Size
NKM1064010	Axial Rear Set Boring Capto C4 Right Hand	1	X	X	C4
NKM1064010LC	Axial Rear Set Boring Capto C4 Left Hand	1	X	X	C4

SC-450 - STS-40 - STW-40 - TW30 12ST.

DRIVEN

RADIAL DRIVEN TOOL

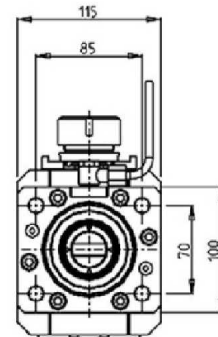
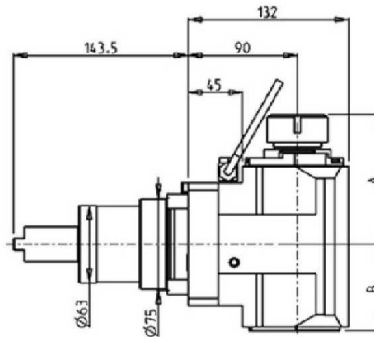
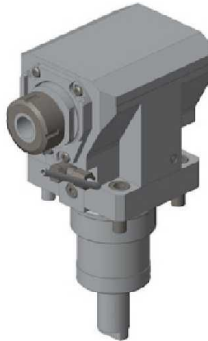
SC-450 - STS-40 - STW-40 - TW30 12ST.



PartNumber	Description	Spindle	I	RPM	Ext Cool	A
NKM1590132	Radial ER32	ER32	1:1	4000	X	58.2
NKM1590140	Radial ER40	ER40	1:1	4000	X	69.7

AXIAL DRIVEN TOOL H=90mm

SC-450 - STS-40 - STW-40 - TW30 12ST.



PartNumber	Description	Spindle	I	RPM	Reversible	Cool Thru	Ext Cool	A	B
NKM1570132	Axial ER32	ER32	1:1	4000	X		X	105.7	70.5
NKM1570232	Axial ER32 Cool Thru*	ER32	1:1	4000	X	X	X	105.7	81.5
NKM1570140	Axial ER40	ER40	1:1	4000	X		X	108.7	70.5
NKM1570240	Axial ER40 Cool Thru*	ER40	1:1	4000	X	X	X	108.7	81.5

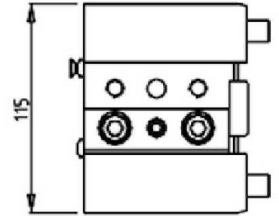
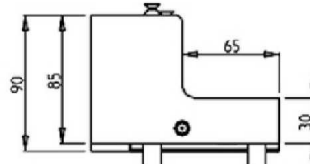
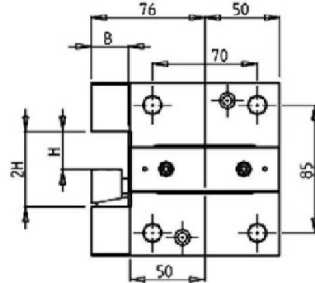
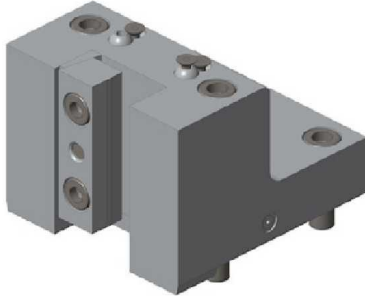
* Coolant Thru tools are designed for 1000 psi.
They require 5 Micron Filtration and **CANNOT** be run dry.

SC-450 - STS-40 - STW-40 - TW30 12ST.

STATIC

RADIAL SINGLE STATIC TOOL

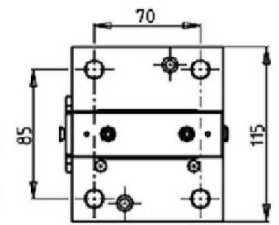
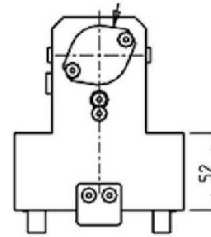
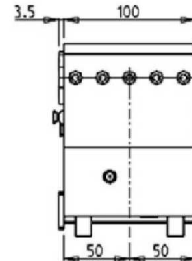
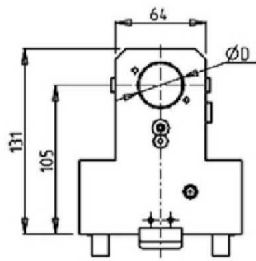
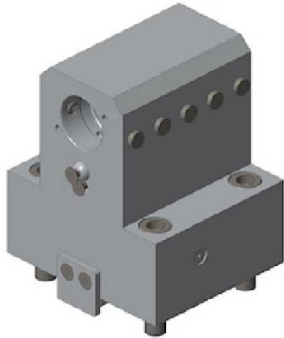
SC-450 - STS-40 - STW-40 - TW30 12ST.



PartNumber	Description	# of Tools	Reversible	Dimensions	B	H
NKM1602500	Radial Single Static 25mm	1	X	mm	25	25

AXIAL SINGLE BORING BAR HOLDER H=105mm

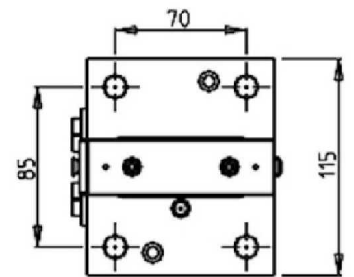
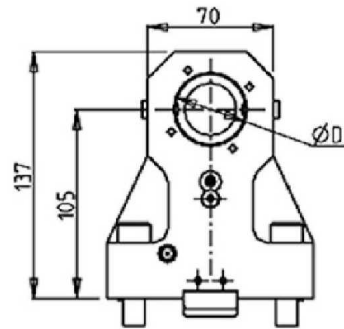
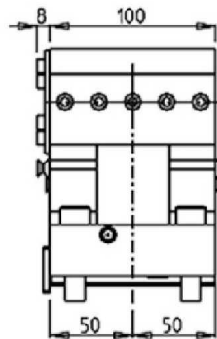
SC-450 - STS-40 - STW-40 - TW30 12ST.



PartNumber	Description	# of Tools	Reversible	Cool Thru	Ext Cool	D
NKM1613200	Axial Single BBH 32mm	1	X	X	X	32
KIT1000001	Plug for 32mm or 1-1/4" BBH to Make Cool Thru					

AXIAL SINGLE BORING BAR HOLDER H=105mm

SC-450 - STS-40 - STW-40 - TW30 12ST.



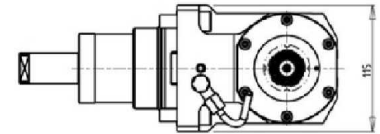
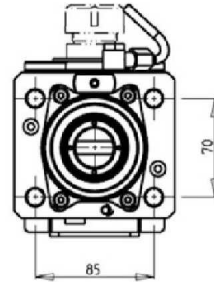
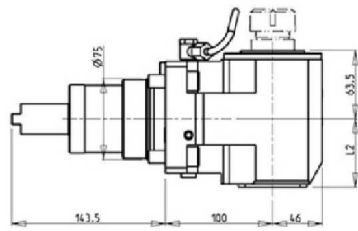
PartNumber	Description	# of Tools	Reversible	Cool Thru	Ext Cool	D
NKM1614000	Axial Single BBH Ø40mm	1	X	X	X	40
KIT1000003	Plug for 40mm BBH to Make Cool Thru					

SC-450 - STS-40 - STW-40 - TW30 12ST.

CAPTO DRIVEN

AXIAL DRIVEN TOOL CAPTO H=100mm

SC-450 - STS-40 - STW-40 - TW30 12ST.



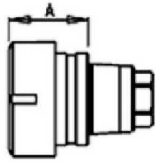
PartNumber	Description	Size	I	RPM	Reversible	Cool Thru	Ext Cool	L2
NKM1870140	Axial Capto C4	C4	1:1	6000	X		X	63
NKM1870240	Axial Capto C4 Cool Thru*	C4	1:1	6000	X	X	X	75.5
NKM1870150	Axial Capto C5	C5	1:1	6000	X		X	63
NKM1870250	Axial Capto C5 Cool Thru*	C5	1:1	6000	X	X	X	75.5

* Coolant Thru tools are designed for 1000 psi.
They require 5 Micron Filtration and **CANNOT** be run dry.

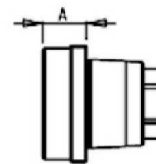
ACCESSORIES

DRIVEN

MTSK-32 ER ADAPTORS



Cod. MT	Mandrino Spindle	A
MTSK32A03	ER25	31.7



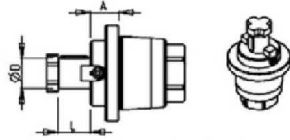
Cod. MT	Mandrino Spindel	A
MTSK32B03	ERA20	19
MTSK32B04	ERA16	13

PartNumber	Description	Spindle	A
MTSK32B04	MTSK-32 Adaptor ERA16	ERA16	13
MTSK32B03	MTSK-32 Adaptor ERA20	ERA20	19
MTSK32A03	MTSK-32 Adaptor ER25	ER25	31.7

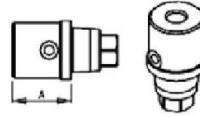
ACCESSORIES

DRIVEN

MTSK-32 MILL ADAPTORS



Cod. MT	Handrino Spindle Spindel	Misure Dimensions Maße	A	D	L
MTSK32C02	∅16x17	mm	14	16	17



Cod. MT	Handrino Spindle Spindel	A
MTSK32D01	WELDON 6	8
MTSK32D02	WELDON 8	10
MTSK32D03	WELDON 10	32
MTSK32D04	WELDON 12	34.5

Cod. MT	Tappo di protezione Cover Plug Abdeckstopfen
MTSK32T00	

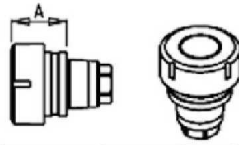


PartNumber	Description	Spindle	Dimensions	A	D	L
MTSK32C02	MTSK-32 Adaptor Mill 16x17	16x17	mm	14	16	17
MTSK32D01	MTSK-32 Adaptor Mill Weldon 6	Weldon 6		8		
MTSK32D02	MTSK-32 Adaptor Mill Weldon 8	Weldon 8		10		
MTSK32D03	MTSK-32 Adaptor Mill Weldon 10	Weldon 10		32		
MTSK32D04	MTSK-32 Adaptor Mill Weldon 12	Weldon 12		34.5		
MTSK32T00	MTSK-32 Cover Plug					

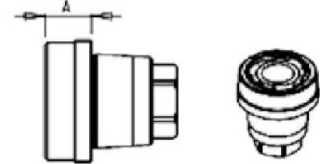
ACCESSORIES

DRIVEN

MTSK-40 ER ADAPTORS



Cod. MT	Mandrin Spindel Spindel	A
MTSK40A02	ER32	35.6
MTSK40A03	ER25	32.6
MTSK40A05	ER16	30.26
MTSK40A06	ER16	47.5
MTSK40A07	ER16	59
MTSK40A08	ER11	40
MTSK40A09	ER11	70



Cod. MT	Mandrin Spindel Spindel	A
MTSK40B02	ERA25	16
MTSK40B03	ERA20	14

PartNumber	Description	Spindle	A
MTSK40A08	MTSK-40 Adaptor ER11	ER11	40
MTSK40A09	MTSK-40 Adaptor ER11	ER11	70
MTSK40A05	MTSK-40 Adaptor ER16	ER16	30.26
MTSK40A06	MTSK-40 Adaptor ER16	ER16	47.5
MTSK40A07	MTSK-40 Adaptor ER16	ER16	59
MTSK40B03	MTSK-40 Adaptor ERA20	ERA20	14
MTSK40A03	MTSK-40 Adaptor ER25	ER25	32.6
MTSK40B02	MTSK-40 Adaptor ERA25	ERA25	16
MTSK40A02	MTSK-40 Adaptor ER32	ER32	35.6

ACCESSORIES

DRIVEN

MTSK-40 MILL ADAPTORS



Cod. MT	Material Spindle	A
MTSK40D01	WELDON 6	8
MTSK40D21	WELDON 6	27.5
MTSK40D02	WELDON 8	8
MTSK40D03	WELDON 10	9
MTSK40D04	WELDON 12	14
MTSK40D05	WELDON 16	39.5
MTSK40D07	WELDON 20	39.5
MTSK40D24	WELDON 10	33
MTSK40D25	WELDON 12	35.5

Cod. MT	Material Spindle	A
MTSK40G03	MR25	33.6

Cod. MT	Material Spindle	Material Arbor	A	D	L
MTSK40D02	WELDON 8	ARB	15	16	17
MTSK40D03	WELDON 10	ARB	15.5	16.5	17.5
MTSK40D04	WELDON 12	ARB	17	22	19
MTSK40D05	WELDON 16	ARB	22	27	21

Cod. MT	Material Spindle	A
MTSK40D11	WELDON 1/4"	8
MTSK40D12	WELDON 5/16"	8
MTSK40D13	WELDON 3/8"	9
MTSK40D14	WELDON 1/2"	14

Cod. MT	Material Spindle	A
MTSK40H01	MORSE-1	29
MTSK40H02	MORSE-2	42

Cod. MT	Material Spindle	Material Arbor	A	D	L
MTSK40T00	ARB	ARB	12	12"	6.5

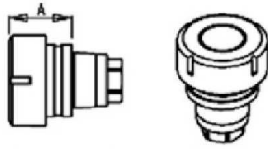
Cod. MT	Material Spindle	A
MTSK40T00	ARB	33.6

PartNumber	Description	Spindle	Dimension	A	D	L
MTSK40C03	MTSK-40 Adaptor Mill 3/4"	3/4"x3/4"	Inch	15.5	3/4"	3/4"
MTSK40C02	MTSK-40 Adaptor Mill 16x17	16x17	mm	15	16	17
MTSK40C04	MTSK-40 Adaptor Mill 22x19	22x19	mm	17	22	19
MTSK40C05	MTSK-40 Adaptor Mill 27x21	27x21	mm	22	27	21
MTSK40F01	MTSK-40 Adaptor Mill 1/2"	1/2" Arbor	Inch	32	1/2"	6.5
MTSK40D11	MTSK-40 Adaptor Mill Weldon 1/4"	Weldon 1/4"		8		
MTSK40D12	MTSK-40 Adaptor Mill Weldon 5/16"	Weldon 5/16"		8		
MTSK40D13	MTSK-40 Adaptor Mill Weldon 3/8"	Weldon 3/8"		9		
MTSK40D14	MTSK-40 Adaptor Mill Weldon 1/2"	Weldon 1/2"		14		
MTSK40D01	MTSK-40 Adaptor Mill Weldon 6	Weldon 6		8		
MTSK40D21	MTSK-40 Adaptor Mill Weldon 6	Weldon 6		27.5		
MTSK40D02	MTSK-40 Adaptor Mill Weldon 8	Weldon 8		8		
MTSK40D03	MTSK-40 Adaptor Mill Weldon 10	Weldon 10		9		
MTSK40D24	MTSK-40 Adaptor Mill Weldon 10	Weldon 10		33		
MTSK40D04	MTSK-40 Adaptor Mill Weldon 12	Weldon 12		14		
MTSK40D25	MTSK-40 Adaptor Mill Weldon 12	Weldon 12		35.5		
MTSK40D06	MTSK-40 Adaptor Mill Weldon 16	Weldon 16		39.5		
MTSK40D07	MTSK-40 Adaptor Mill Weldon 20	Weldon 20		39.5		
MTSK40H01	MTSK-40 Adaptor Morse 1	MORSE-1		29		
MTSK40H02	MTSK-40 Adaptor Morse 2	MORSE-2		42		
MTSK40G03	MTSK-40 Adaptor MR25	MR25		33.6		
MTSK40T00	MTSK-40 Cover Plug					

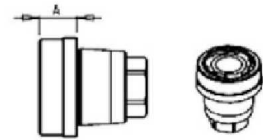
ACCESSORIES

DRIVEN

MTSK-50 ER ADAPTORS



Cod. MT	Mandrina Spindel	A
MTSK50A01	ER40	46.6
MTSK50A02	ER32	35.6
MTSK50A03	ER25	32.6
MTSK50A05	ER16	30.3



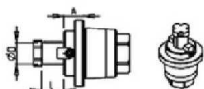
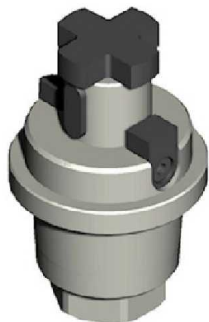
Cod. MT	Mandrina Spindel	A
MTSK50B01	ERA32	19
MTSK50B02	ERA25	14
MTSK50B03	ERA20	9

PartNumber	Description	Spindle	A
MTSK50A05	MTSK-50 Adaptor ER16	ER16	30.3
MTSK50B03	MTSK-50 Adaptor ERA20	ERA20	9
MTSK50A03	MTSK-50 Adaptor ER25	ER25	32.6
MTSK50B02	MTSK-50 Adaptor ERA25	ERA25	14
MTSK50A02	MTSK-50 Adaptor ER32	ER32	35.6
MTSK50B01	MTSK-50 Adaptor ERA32	ERA32	19
MTSK50A01	MTSK-50 Adaptor ER40	ER40	46.6

ACCESSORIES

DRIVEN

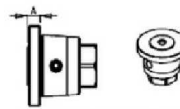
MTSK-50 MILL ADAPTORS



Cod. MT	Manifino Spindle Spostato	Misure Dimensioni Masse	A	D	L
MTSK50C02	Ø16x17	mm	15	16	17
MTSK50C03	Ø 3/4" x3/4"	inch	15.5	3/4"	3/4"
MTSK50C04	Ø22x19	mm	17	22	19
MTSK50C05	Ø27x21	mm	19	27	21
MTSK50C06	Ø27x21	mm	19	27	21
MTSK50C07	Ø32x24	mm	24	32	24



Cod. MT	Manifino Spindle Spostato	A
MTSK50D11	WELDON 1/4"	8
MTSK50D12	WELDON 5/16"	8
MTSK50D13	WELDON 3/8"	8
MTSK50D14	WELDON 1/2"	9
MTSK50D15	WELDON 5/8"	12



Cod. MT	Manifino Spindle Spostato	A
MTSK50D01	WELDON 6	8
MTSK50D02	WELDON 8	8
MTSK50D03	WELDON 10	8
MTSK50D04	WELDON 12	9
MTSK50D05	WELDON 16	12
MTSK50D07	WELDON 20	40
MTSK50D08	WELDON 25	44



Cod. MT	Manifino Spindle Spostato	A
MTSK50E01	POWGRIP® PG25	40

Cod. MT	Manifino Spindle Spostato	A
MTSK50T00	Tappe di proiezione Cover Plug Abbronzati	

PartNumber	Description	Spindle	Dimension	A	D	L
MTSK50C03	MTSK-50 Adaptor Mill 3/4"	3/4"x3/4"	Inch	15.5	3/4"	3/4"
MTSK50C05	MTSK-50 Adaptor Mill 1"x3/4"	1"x3/4"	Inch	19	1"	3/4"
MTSK50C02	MTSK-50 Adaptor Mill 16x17	16x17	mm	15	16	17
MTSK50C04	MTSK-50 Adaptor Mill 22x19	22x19	mm	17	22	19
MTSK50C06	MTSK-50 Adaptor Mill 27x21	27x21	mm	19	27	21
MTSK50C07	MTSK-50 Adaptor Mill 32x24	32x24	mm	24	32	24
MTSK50D11	MTSK-50 Adaptor Mill Weldon 1/4"	Weldon 1/4"		8		
MTSK50D12	MTSK-50 Adaptor Mill Weldon 5/16"	Weldon 5/16"		8		
MTSK50D13	MTSK-50 Adaptor Mill Weldon 3/8"	Weldon 3/8"		8		
MTSK50D14	MTSK-50 Adaptor Mill Weldon 1/2"	Weldon 1/2"		9		
MTSK50D15	MTSK-50 Adaptor Mill Weldon 5/8"	Weldon 5/8"		12		
MTSK50D01	MTSK-50 Adaptor Mill Weldon 6	Weldon 6		8		
MTSK50D02	MTSK-50 Adaptor Mill Weldon 8	Weldon 8		8		
MTSK50D03	MTSK-50 Adaptor Mill Weldon 10	Weldon 10		8		
MTSK50D04	MTSK-50 Adaptor Mill Weldon 12	Weldon 12		9		
MTSK50D05	MTSK-50 Adaptor Mill Weldon 16	Weldon 16		12		
MTSK50D07	MTSK-50 Adaptor Mill Weldon 20	Weldon 20		40		
MTSK50D08	MTSK-50 Adaptor Mill Weldon 25	Weldon 25		44		
MTSK50E01	MTSK-50 Adaptor POWERGRIP PG25	POWERGRIP PG25		40		
MTSK50T00	MTSK-50 Cover Plug					

ER COLLETS

ER COLLET NUMBER	DESCRIPTION	MD LIST PRICE
ER20 SET	ER20 Collet Set (15 Collets)	\$ 330.00
ERX20 SET	ER20 Sealed Collet Set (13 Collets)	\$ 395.00
ER25 SET	ER25 Collet Set (19 Collets)	\$ 375.00
ERX25 SET	ER25 Sealed Collet Set (17 Collets)	\$ 475.00
ER32 SET	ER32 Collet Set (21 Collets)	\$ 425.00
ERX32 SET	ER32 Sealed Collet Set (21 Collets)	\$ 595.00
ER40 SET	ER40 Collet Set (29 Collets)	\$ 695.00
ERX40 SET	ER40 Sealed Collet Set (27 Collets)	\$ 850.00



Phone: (810) 632-4446 / Fax: (810) 632-4467

Table of Contents

Alphabetized Listing

0		AXIAL REAR SET BORING STATIC TOOL CAPTO C4	69
0-180 ADJUSTABLE ANGLE DRIVEN TOOL	47, 76, 94	AXIAL REAR-SET BORING SINGLE STATIC TOOL CAPTO C4	87
0-180 ADJUSTABLE ANGLE DRIVEN TOOL	46	AXIAL REAR-SET DRIVEN TOOL H=75mm	39
0-180 ADJUSTABLE ANGLE DRIVEN TOOL	74	AXIAL REINFORCED DRIVEN TOOL H=55mm	37
0-180 ADJUSTABLE ANGLE DRIVEN TOOL GEARED UP 1:2	49, 95	AXIAL REINFORCED DRIVEN TOOL H=75mm	38
0-180 ADJUSTABLE ANGLE DRIVEN TOOL GEARED UP 1:2 WITH DIGITAL DISPLAY	50, 95	AXIAL SINGLE BORING BAR HOLDER H=105mm	106
0-180 ADJUSTABLE ANGLE DRIVEN TOOL GEARED-UP 1:2	77	AXIAL SINGLE BORING BAR HOLDER H=105mm	106
0-180 ADJUSTABLE ANGLE DRIVEN TOOL GEARED-UP 1:2 WITH DIGITAL DISPLAY	77	AXIAL SINGLE BORING BAR HOLDER H=55mm	60
0-180 ADJUSTABLE ANGLE DRIVEN TOOL WITH DIGITAL DISPLAY	47-48, 75, 94	AXIAL SINGLE BORING BAR HOLDER H=55mm SPLIT	60
0-180° ADJUSTABLE ANGLE DRIVEN TOOL H=35mm	16	AXIAL SINGLE BORING BAR HOLDER H=60mm	25
0-180° ADJUSTABLE ANGLE DRIVEN TOOL H=55mm	16	AXIAL SINGLE BORING BAR HOLDER H=65mm	23
A		AXIAL SINGLE BORING BAR HOLDER H=70mm	25
ACCESSORIES	108-113	AXIAL SINGLE BORING BAR HOLDER H=75mm	24, 61, 102
AXIAL 2 POSITION BORING BAR HOLDER	64, 84, 102	AXIAL SINGLE BORING BAR HOLDER H=75mm	22
AXIAL 2 POSITION UPRIGHT BORING BAR HOLDER	26	AXIAL SINGLE BORING BAR HOLDER H=75mm	63
AXIAL 2 POSITION UPRIGHT BORING BAR HOLDER	27	AXIAL SINGLE BORING BAR HOLDER H=75mm SPLIT	101
AXIAL 2 POSITION UPRIGHT BORING BAR HOLDER	27	AXIAL SINGLE BORING BAR HOLDER H=75mm SPLIT	61
AXIAL 3 POSITION BORING BAR HOLDER	66	AXIAL SINGLE BORING BAR HOLDER H=80mm	62
AXIAL 3 POSITION BORING BAR HOLDER	66	AXIAL SINGLE BORING BAR HOLDER H=90mm	83
AXIAL 3 POSITION BORING BAR HOLDER	67, 103	AXIAL SINGLE BORING BAR HOLDER H=90mm	84
AXIAL 3 POSITION BORING BAR HOLDER	67	AXIAL SINGLE BORING BAR HOLDER H=92.5mm	24
AXIAL 3 POSITION UPRIGHT BORING BAR HOLDER	28	AXIAL SINGLE BORING BAR HOLDER H=92.5mm	23
AXIAL 3 POSITION UPRIGHT BORING BAR HOLDER	28	AXIAL SINGLE REAR SET BORING BAR HOLDER H=75mm	63
AXIAL 3+3 POSITION BORING BAR HOLDER	103	AXIAL SINGLE REAR SET BORING BAR HOLDER H=75mm	64
AXIAL DOUBLE BORING BAR HOLDER	65	AXIAL SINGLE SIDE TWIN HEAD DRIVEN TOOL IN Y	74
AXIAL DOUBLE BORING BAR HOLDER	65	AXIAL SINGLE SIDE TWIN HEAD DRIVEN TOOL IN Y FOR INTERNAL POLYGON-MAKING H=75mm	45
AXIAL DOUBLE BORING BAR HOLDER 2 POSITIONS IN Y H=65mm	26	AXIAL SINGLE SIDE TWIN HEAD DRIVEN TOOL IN Y H=60mm	14
AXIAL DOUBLE COLLET CHUCK HOLDER H=75mm	68	AXIAL SINGLE SIDE TWIN HEAD DRIVEN TOOL IN Y H=75mm	15
AXIAL DRIVEN TOOL H=65mm	73	AXIAL SINGLE STATIC TOOL	22, 59, 83, 101
AXIAL DRIVEN TOOL 8,000 RPM H=60mm	7	AXIAL SINGLE STATIC TOOL	59
AXIAL DRIVEN TOOL 8,000 RPM H=75mm	9	AXIAL SINGLE STATIC TOOL CAPTO C4	104
AXIAL DRIVEN TOOL CAPTO C4	86	AXIAL SINGLE-SIDE TWIN HEAD DRIVEN TOOL IN Y H=55mm	44
AXIAL DRIVEN TOOL CAPTO H=100mm	107	AXIAL SINGLE-SIDE TWIN HEAD DRIVEN TOOL IN Y H=75mm	45
AXIAL DRIVEN TOOL FOR INTERNAL POLYGON MAKING H=55mm	41	B	
AXIAL DRIVEN TOOL FOR INTERNAL POLYGON MAKING H=75mm	42	BROACHING/SLOTING DRIVEN TOOL 25mm STROKE	79, 97
AXIAL DRIVEN TOOL FOR INTERNAL POLYGON-MAKING H=60mm	12	BROACHING/SLOTING DRIVEN TOOL 25mm STROKE H=66mm	52
AXIAL DRIVEN TOOL FOR INTERNAL POLYGON-MAKING H=75mm	13	BROACHING/SLOTING DRIVEN TOOL 25mm STROKE H=76mm	53
AXIAL DRIVEN TOOL H=55mm	33, 90	BROACHING/SLOTING DRIVEN TOOL 50mm STROKE	79, 97
AXIAL DRIVEN TOOL H=60mm	6	BROACHING/SLOTING DRIVEN TOOL 50mm STROKE H=66mm	52
AXIAL DRIVEN TOOL H=65mm	34, 92	BROACHING/SLOTING DRIVEN TOOL 50mm STROKE H=76mm	52
AXIAL DRIVEN TOOL H=65mm	91	BROACHING/SLOTING TOOL 25mm STROKE H=65mm	17
AXIAL DRIVEN TOOL H=75mm	36	C	
AXIAL DRIVEN TOOL H=75mm	8, 35	CAPTO DRIVEN	86, 107
AXIAL DRIVEN TOOL H=90mm	105	CAPTO STATIC	29, 69, 87, 104
AXIAL GEARED-UP 1:2 DRIVEN TOOL	11	D	
AXIAL GEARED-UP 1:2 DRIVEN TOOL	93	DRIVEN	1-18, 30-40, 43-53, 70-78, 88-97, 105, 108-113
AXIAL GEARED-UP 1:3 DRIVEN TOOL H=55mm	40	DRIVEN GEAR HOBBER	17, 78, 96
AXIAL GEARED-UP 1:3 DRIVEN TOOL H=75mm	40	DRIVEN TOOL HOLDER FOR SLIDING STEADY REST	80
AXIAL GEARED-UP 1:3 REAR-SET DRIVEN TOOL H=65mm	12	DRIVEN TOOL HOLDER FOR SLIDING STEADY REST	53, 97
AXIAL GEARED-UP 1:3 REAR-SET DRIVEN TOOL H=75mm	41	DRIVEN TOOLHOLDER FOR SLIDING STEADY REST (SIZE 1)	18
AXIAL MULTIPLE STATIC TOOL CAPTO C3	29	G	
AXIAL OPPOSITE FACE DRIVEN TOOL H=55mm	42	GEAR HOBBER DRIVEN TOOL	50
AXIAL OPPOSITE FACE DRIVEN TOOL H=65mm	93	M	
AXIAL OPPOSITE FACE DRIVEN TOOL H=75mm	43	MTSK-32 ER ADAPTORS	108
AXIAL OPPOSITE FACE TWIN DRIVEN TOOL H=60mm	13	MTSK-32 MILL ADAPTORS	109
AXIAL OPPOSITE FACE TWIN DRIVEN TOOL H=65mm	43, 73	MTSK-40 ER ADAPTORS	110
AXIAL OPPOSITE FACE TWIN DRIVEN TOOL H=75mm	14, 44	MTSK-40 MILL ADAPTORS	111
AXIAL REAR SET BORING SINGLE STATIC CAPTO C4	104		

Table of Contents

Alphabetized Listing

M		STATIC	19-28, 54-68, 81-85, 98-103, 106
MTSK-50 ER ADAPTORS	112	SUPERMILL WT150/WT150II / WY250/SC200L - SUPER NTY3 JUMBO	88-104
MTSK-50 MILL ADAPTORS	113	T	
Q		TAILSTOCK FOR SUBSPINDLE	85
QUICK CHANGE AXIAL MTSK DRIVEN TOOL 8,000 RPM H=60mm	8	W	
QUICK CHANGE AXIAL MTSK DRIVEN TOOL 8,000 RPM H=75mm	10	W T100 - W Y100 - W Y100II 12 ST. - SUPER NTY3 - NTY3-100 12ST.	
QUICK CHANGE AXIAL MTSK DRIVEN TOOL FOR POWER SKIVING H=85mm	51	SUPER NTMX - SUPER NTMXL - MX-5 - NTJ100 - SC100 - SC100X ² - MX100	1-29
QUICK CHANGE AXIAL MTSK DRIVEN TOOL FOR POWER SKIVING H=90mm	78, 96	WT150/250 - WT150II/250II - WTW150 - WTS150 - SUPER NTM3	
QUICK CHANGE AXIAL MTSK DRIVEN TOOL H=60mm	7	SUPER NTJ - SUPER NTJX - SC150/200/250 - SC300II 16 ST. - JX250 - NTY3 150/250 - TW10M/MY/MM/MMY/MMYY - TW20M/MY/MM/MMY/MMYY 16 ST. - WY150/250 - AS200 15/12 ST.	30-69
QUICK CHANGE AXIAL MTSK DRIVEN TOOL H=65mm	34, 92	WT300 - SC300 - SC300II 12 ST. - TMC200/300M - SUPER NTX - SUPER NTXL - TW20M/MY/MM/MMY/MMYY 12 ST. - TW30M/MY/MM/MMY/MMYY 16 ST.	70-87
QUICK CHANGE AXIAL MTSK DRIVEN TOOL H=75mm	9, 36		
QUICK CHANGE AXIAL MTSK REAR-SET DRIVEN TOOL H=75mm	39		
QUICK CHANGE AXIAL MTSK REINFORCED DRIVEN TOOL H=55mm	37		
QUICK CHANGE AXIAL MTSK REINFORCED DRIVEN TOOL H=75mm	38		
QUICK CHANGE RADIAL MTSK DRIVEN TOOL	2, 31		
QUICK CHANGE RADIAL MTSK DRIVEN TOOL 8,000 RPM	2		
R			
RADIAL ±30° ADJUSTABLE ANGLE DRIVEN TOOL REDIRECTED BY 30mm	32		
RADIAL BLADE HOLDER WITH BLADE KIT	21, 58, 82, 100		
RADIAL BLADE HOLDER WITH INTERNAL COOLANT - BLADE KIT NOT INCLUDED	21		
RADIAL BLADE HOLDER WITH INTERNAL COOLANT-BLADE KIT NOT INCLUDED	58, 100		
RADIAL DOUBLE SIDE TWIN STATIC TOOL	20		
RADIAL DOUBLE STATIC TOOL	20, 56, 81, 99		
RADIAL DRIVEN GEAR HOBBER	51		
RADIAL DRIVEN TOOL	30, 70, 88, 105		
RADIAL DRIVEN TOOL CAPTO C4	86		
RADIAL DRIVEN TOOL GEARED UP 1:2 DRIVEN TOOL RE-DIRECTED IN Z BY 45mm	71		
RADIAL DRIVEN TOOL GEARED-DOWN 2:1 REDIRECTED IN Z BY 68mm	88		
RADIAL DRIVEN TOOL GEARED-UP 1:2 REDIRECTED IN Z BY 68mm	89		
RADIAL DRIVEN TOOL RE-DIRECTED IN Z BY 36mm	3		
RADIAL DRIVEN TOOL REDIRECTED IN Z BY 60mm	71		
RADIAL GEARED-DOWN 2:1 DRIVEN TOOL RE-DIRECTED IN Z BY 43mm	3		
RADIAL GEARED-DOWN 2:1 DRIVEN TOOL RE-DIRECTED IN Z BY 60mm	4		
RADIAL GEARED-DOWN 3:1 DRIVEN TOOL RE-DIRECTED IN Z BY 60mm	4		
RADIAL GEARED-UP 1:2 DRIVEN TOOL RE-DIRECTED IN Z BY 36mm	5		
RADIAL GEARED-UP 1:2 SINGLE SIDE TWIN HEAD DRIVEN TOOL IN Y	89		
RADIAL GEARED-UP 1:3 DRIVEN TOOL	31, 72		
RADIAL MULTIPLE STATIC TOOL	57		
RADIAL MULTIPLE STATIC TOOL	57		
RADIAL MULTIPLE STATIC TOOL	20		
RADIAL MULTIPLE STATIC TOOL	21, 56, 82, 99		
RADIAL MULTIPLE STATIC TOOL CAPTO C3	29		
RADIAL REINFORCED DRIVEN TOOL	1, 70		
RADIAL REINFORCED DRIVEN TOOL 8,000 RPM	1		
RADIAL SINGLE REAR SET STATIC TOOL CAPTO C4	69		
RADIAL SINGLE SIDE TWIN HEAD DRIVEN TOOL IN Y	72		
RADIAL SINGLE SIDE TWIN STATIC TOOL	55		
RADIAL SINGLE SIDE TWIN STATIC TOOL	19, 55, 98		
RADIAL SINGLE STATIC TOOL	19, 54, 81, 98, 106		
RADIAL SINGLE STATIC TOOL	19		
RADIAL SINGLE STATIC TOOL	54		
RADIAL SINGLE-SIDE TWIN HEAD DRIVEN TOOL IN Y	5, 32		
S			
SC-450 - STS-40 - STW-40 - TW30 12ST.	105-107		
See Accessories for Mill Heads	12-13, 41-42, 45		
See Accessories for MTSK Adaptors	2, 7-10, 31, 34, 36-39, 51, 78, 92, 96		

Table of Contents

Part Number Index

B			MTSK32C02	MTSK-32 Adaptor Mill 16x17	109
BLADEKIT	Blade Kit: 1 Blade, 10 Inserts	21	MTSK32D01	MTSK-32 Adaptor Mill Weldon 6	109
BLADEKIT	Blade Kit: 1 Blade, 10 Inserts	58	MTSK32D02	MTSK-32 Adaptor Mill Weldon 8	109
BLADEKIT	Blade Kit: 1 Blade, 10 Inserts	82	MTSK32D03	MTSK-32 Adaptor Mill Weldon 10	109
BLADEKIT	Blade Kit: 1 Blade, 10 Inserts	100	MTSK32D04	MTSK-32 Adaptor Mill Weldon 12	109
			MTSK32T00	MTSK-32 Cover Plug	109
C			MTSK40A02	MTSK-40 Adaptor ER32	110
COOL THRU BLADEKIT	Blade Kit: 1 Blade, 10 Inserts	100	MTSK40A03	MTSK-40 Adaptor ER25	110
COOL THRU BLADEKIT	Blade Kit: 1 Blade, 10 Inserts	58	MTSK40A05	MTSK-40 Adaptor ER16	110
COOL THRU BLADEKIT	Blade Kit: 1 Blade, 10 Inserts	21	MTSK40A06	MTSK-40 Adaptor ER16	110
			MTSK40A07	MTSK-40 Adaptor ER16	110
			MTSK40A08	MTSK-40 Adaptor ER11	110
			MTSK40A09	MTSK-40 Adaptor ER11	110
			MTSK40B02	MTSK-40 Adaptor ERA25	110
KIT1000001	Plug for 32mm or 1-1/4" BBH to Make Cool Thru	22	MTSK40B03	MTSK-40 Adaptor ERA20	110
KIT1000001	Plug for 32mm or 1-1/4" BBH to Make Cool Thru	23	MTSK40C02	MTSK-40 Adaptor Mill 16x17	111
KIT1000001	Plug for 32mm or 1-1/4" BBH to Make Cool Thru	23	MTSK40C03	MTSK-40 Adaptor Mill 3/4"	111
KIT1000001	Plug for 32mm or 1-1/4" BBH to Make Cool Thru	101	MTSK40C04	MTSK-40 Adaptor Mill 22x19	111
KIT1000001	Plug for 32mm or 1-1/4" BBH to Make Cool Thru	106	MTSK40C05	MTSK-40 Adaptor Mill 27x21	111
KIT1000001	Plug for 32mm or 1-1/4" BBH to Make Cool Thru	84	MTSK40D01	MTSK-40 Adaptor Mill Weldon 6	111
KIT1000001	Plug for 32mm or 1-1/4" BBH to Make Cool Thru	60	MTSK40D02	MTSK-40 Adaptor Mill Weldon 8	111
KIT1000001	Plug for 32mm or 1-1/4" BBH to Make Cool Thru	61	MTSK40D03	MTSK-40 Adaptor Mill Weldon 10	111
KIT1000001	Plug for 32mm or 1-1/4" BBH to Make Cool Thru	62	MTSK40D04	MTSK-40 Adaptor Mill Weldon 12	111
KIT1000001	Plug for 32mm or 1-1/4" BBH to Make Cool Thru	63	MTSK40D06	MTSK-40 Adaptor Mill Weldon 16	111
KIT1000003	Plug for 40mm BBH to Make Cool Thru	106	MTSK40D07	MTSK-40 Adaptor Mill Weldon 20	111
KIT1000005	Plug for 20mm BBH to Make Cool Thru	103	MTSK40D11	MTSK-40 Adaptor Mill Weldon 1/4"	111
KIT1000006	Plug for 25mm or 1" BBH to Make Cool Thru	102	MTSK40D12	MTSK-40 Adaptor Mill Weldon 5/16"	111
KIT1000006	Plug for 25mm or 1" BBH to Make Cool Thru	102	MTSK40D13	MTSK-40 Adaptor Mill Weldon 3/8"	111
KIT1000006	Plug for 25mm or 1" BBH to Make Cool Thru	103	MTSK40D14	MTSK-40 Adaptor Mill Weldon 1/2"	111
KIT1000006	Plug for 25mm or 1" BBH to Make Cool Thru	64	MTSK40D21	MTSK-40 Adaptor Mill Weldon 6	111
KIT1000006	Plug for 25mm or 1" BBH to Make Cool Thru	63	MTSK40D24	MTSK-40 Adaptor Mill Weldon 10	111
KIT1000006	Plug for 25mm or 1" BBH to Make Cool Thru	62	MTSK40D25	MTSK-40 Adaptor Mill Weldon 12	111
KIT1000006	Plug for 25mm or 1" BBH to Make Cool Thru	64	MTSK40F01	MTSK-40 Adaptor Mill 1/2"	111
KIT1000006	Plug for 25mm or 1" BBH to Make Cool Thru	65	MTSK40G03	MTSK-40 Adaptor MR25	111
KIT1000006	Plug for 25mm or 1" BBH to Make Cool Thru	65	MTSK40H01	MTSK-40 Adaptor Morse 1	111
KIT1000006	Plug for 25mm or 1" BBH to Make Cool Thru	66	MTSK40H02	MTSK-40 Adaptor Morse 2	111
KIT1000006	Plug for 25mm or 1" BBH to Make Cool Thru	66	MTSK40T00	MTSK-40 Cover Plug	111
KIT1000006	Plug for 25mm or 1" BBH to Make Cool Thru	67	MTSK50A01	MTSK-50 Adaptor ER40	112
KIT1000006	Plug for 25mm or 1" BBH to Make Cool Thru	67	MTSK50A02	MTSK-50 Adaptor ER32	112
KIT1000006	Plug for 25mm or 1" BBH to Make Cool Thru	84	MTSK50A03	MTSK-50 Adaptor ER25	112
KIT1000006	Plug for 25mm or 1" BBH to Make Cool Thru	25	MTSK50A05	MTSK-50 Adaptor ER16	112
KIT1000006	Plug for 25mm or 1" BBH to Make Cool Thru	26	MTSK50B01	MTSK-50 Adaptor ERA32	112
KIT1000006	Plug for 25mm or 1" BBH to Make Cool Thru	26	MTSK50B02	MTSK-50 Adaptor ERA25	112
KIT1000006	Plug for 25mm or 1" BBH to Make Cool Thru	27	MTSK50B03	MTSK-50 Adaptor ERA20	112
KIT1000006	Plug for 25mm or 1" BBH to Make Cool Thru	27	MTSK50C02	MTSK-50 Adaptor Mill 16x17	113
KIT1000015	Plug for 20mm BBH to Make Cool Thru	25	MTSK50C03	MTSK-50 Adaptor Mill 3/4"	113
KIT1000015	Plug for 20mm BBH to Make Cool Thru	67	MTSK50C04	MTSK-50 Adaptor Mill 22x19	113
KIT1000017	Plug for 25mm or 1" BBH to Make Cool Thru	24	MTSK50C05	MTSK-50 Adaptor Mill 1"x3/4"	113
KIT1000017	Plug for 25mm or 1" BBH to Make Cool Thru	24	MTSK50C06	MTSK-50 Adaptor Mill 27x21	113
KIT1000018	Plug for 40mm BBH to Make Cool Thru	84	MTSK50C07	MTSK-50 Adaptor Mill 32x24	113
KIT1000018	Plug for 40mm BBH to Make Cool Thru	61	MTSK50D01	MTSK-50 Adaptor Mill Weldon 6	113
KIT1000018	Plug for 40mm BBH to Make Cool Thru	101	MTSK50D02	MTSK-50 Adaptor Mill Weldon 8	113
KIT1000021	Plug for 1-1/2" BBH to Make Cool Thru	101	MTSK50D03	MTSK-50 Adaptor Mill Weldon 10	113
KIT1000030	Plug for 16mm BBH to Make Cool Thru	28	MTSK50D04	MTSK-50 Adaptor Mill Weldon 12	113
KIT1000030	Plug for 16mm BBH to Make Cool Thru	28	MTSK50D05	MTSK-50 Adaptor Mill Weldon 16	113
KIT1004001	Plug for 32mm or 1-1/4" BBH to Make Cool Thru	60	MTSK50D07	MTSK-50 Adaptor Mill Weldon 20	113
KIT1004001	Plug for 32mm or 1-1/4" BBH to Make Cool Thru	61	MTSK50D08	MTSK-50 Adaptor Mill Weldon 25	113
KIT1004018	Plug for 40mm BBH to Make Cool Thru	61	MTSK50D11	MTSK-50 Adaptor Mill Weldon 1/4"	113
KIT1004021	Plug for 1-1/2" BBH to Make Cool Thru	61	MTSK50D12	MTSK-50 Adaptor Mill Weldon 5/16"	113
KIT1007002	Plug for 2" BBH to Make Cool Thru	83	MTSK50D13	MTSK-50 Adaptor Mill Weldon 3/8"	113
KIT1007003	Plug for 40mm BBH to Make Cool Thru	83	MTSK50D14	MTSK-50 Adaptor Mill Weldon 1/2"	113
KIT1007004	Plug for 1-1/2" BBH to Make Cool Thru	83	MTSK50D15	MTSK-50 Adaptor Mill Weldon 5/8"	113
			MTSK50E01	MTSK-50 Adaptor POWERGRIP PG25	113
			MTSK50T00	MTSK-50 Cover Plug	113
MTSK32A03	MTSK-32 Adaptor ER25	108	N		
MTSK32B03	MTSK-32 Adaptor ERA20	108	NKM0021420	Axial ERA20	33
MTSK32B04	MTSK-32 Adaptor ERA16	108			

Table of Contents

Part Number Index

NKM0021425	Axial ER25	33	NKM0131425	Axial Single-Side Twin ER25 Cool Thru*	45
NKM0021520	Axial ERA20 Cool Thru*	33	NKM0131520	Axial Single-Side Twin ERA20 Cool Thru*	45
NKM0021617	Axial Mill Head 16x17mm	33	NKM0142500	Axial Double BBH 25mm	64
NKM0021620	Axial ER20	33	NKM0142510	Axial Double BBH 1"	64
NKM0021625	Axial ER25 Cool Thru*	33	NKM0151905	Radial Double Static Tool 3/4"	56
NKM0021820	Axial ER20 Cool Thru*	33	NKM0152000	Radial Double Static Tool 20mm	56
NKM0022219	Axial Mill Head 22x19mm	33	NKM0152010	Radial Double Static Tool 20mm	20
NKM0022432	Axial ER32	33	NKM0161905	Radial Single Static Tool 3/4"	54
NKM0022532	Axial ER32 Cool Thru*	33	NKM0162000	Radial Single Static Tool 20mm	54
NKM0022721	Axial Mill Head 27x21mm	33	NKM0162010	Radial Single Static Tool 20mm	19
NKM0022737	Axial Mill Head 27x37mm	33	NKM0162050	Radial Single Static Tool 20mm Cool Thru*	19
NKM0039108	Axial Weldon 8	41	NKM0162500	Radial Single Static Tool 25mm	54
NKM0039110	Axial Weldon 10	41	NKM0162510	Radial Single Static Tool 25mm	19
NKM0039112	Axial Weldon 12	41	NKM0162540	Radial Single Static Tool 1"	54
NKM0039116	Axial Weldon 16	41	NKM0162550	Radial Single Static Tool 25mm Cool Thru*	54
NKM0039125	Axial ER25	41	NKM0181905	Axial Single Static Tool 3/4"	59
NKM0040016	Radial Geared-Up 1:3 ER16	31	NKM0182000	Axial Single Static Tool 20mm	59
NKM0050016	Axial Geared-Up 1:3 ER16	40	NKM0182010	Axial Single Static Tool 20mm	22
NKM0050216	Axial Geared-Up 1:3 ER16	40	NKM0182030	Axial Single Static Tool 20mm Cool Thru	59
NKM0061420	Axial ERA20	35	NKM0182500	Axial Single Static 25mm	59
NKM0061425	Axial ER25	35	NKM0190216	Radial ERA16 Single-Side Twin Head	5
NKM0061520	Axial ERA20 Cool Thru*	35	NKM0200216	Axial Single Side Twin Head Driven Tool in Y	14
NKM0061617	Axial Mill Head 16x17mm	35	NKM0211000	Axial 3 Position BBH 25mm	66
NKM0061620	Axial ER20	35	NKM0212000	Axial 3 Position BBH 20mm	67
NKM0061625	Axial ER25 Cool Thru*	35	NKM0212500	Axial 3 Position BBH 25mm	67
NKM0061820	Axial ER20 Cool Thru*	35	NKM0212540	Axial 3 Position BBH 1"	66
NKM0062219	Axial Mill Head 22x19mm	35	NKM0221000	Radial Multiple Static Tool 20mm	57
NKM0062432	Axial ER32	35	NKM0221010	Radial Multiple Static Tool 20mm Cool Thru*	57
NKM0062532	Axial ER32 Cool Thru*	35	NKM0221905	Radial Multiple Static Tool 3/4"	57
NKM0062721	Axial Mill Head 27x21mm	35	NKM0222000	Radial Multiple Static Tool 20mm	57
NKM0069108	Axial Weldon 8	42	NKM0240125	Axial ER25	6
NKM0069110	Axial Weldon 10	42	NKM0240225	Axial ER25 Cool Thru*	6
NKM0069112	Axial Weldon 12	42	NKM0240520	Axial ERA20	6
NKM0069116	Axial Weldon 16	42	NKM0240620	Axial ERA20 Cool Thru*	6
NKM0069125	Axial ER25	42	NKM0241617	Axial Mill Head 16x17	6
NKM0070140	Axial Reinforced ER40	37	NKM0242219	Axial Mill Head 22x19	6
NKM0070240	Axial Reinforced ER40 Cool Thru*	37	NKM0260125	Axial ERA25	73
NKM0072519	Axial Reinforced Mill Head 1"x19	37	NKM0260132	Axial ERA32	73
NKM0072721	Axial Reinforced Mill Head 27x21	37	NKM0260140	Axial ER40	73
NKM0081100	Gear Hobbing Tool 1:1	50	NKM0260225	Axial ERA25 Cool Thru*	73
NKM0082100	Gear Hobbing Tool 2:1 Geared Down	50	NKM0260232	Axial ERA32 Cool Thru*	73
NKM0112500	Axial Single BBH 25mm	62	NKM0260240	Axial ER40 Cool Thru*	73
NKM0112510	Axial Single BBH 1"	62	NKM0262219	Axial Mill Head 22x19mm	73
NKM0112520	Axial Single BBH 25mm	63	NKM0270125	Radial ER25	70
NKM0112530	Axial Single BBH 1"	63	NKM0270132	Radial ER32	70
NKM0112540	Axial Single BBH 25mm	25	NKM0270225	Radial ERA25 Cool Thru*	70
NKM0112550	Axial Single BBH 20mm	25	NKM0270232	Radial ERA32 Cool Thru*	70
NKM0112560	Axial Single BBH 25mm	24	NKM0270325	Radial Mill Head Weldon 25	70
NKM0113200	Axial Single BBH 32mm	61	NKM0270422	Radial Mill Head 22x19	70
NKM0113201	Axial Single BBH 32mm	61	NKM0280125	Radial ER25	88
NKM0113210	Axial Single BBH 1 1/4"	61	NKM0280132	Radial ER32	88
NKM0113211	Axial Single BBH 1 1/4"	61	NKM0280140	Radial ER40	88
NKM0113220	Axial Single BBH 32mm	60	NKM0280225	Radial ERA25 Cool Thru*	88
NKM0113221	Axial Single BBH 32mm	60	NKM0280232	Radial ERA32 Cool Thru*	88
NKM0113230	Axial Single BBH 1 1/4"	60	NKM0280332	Radial ER32 Cool Thru*	88
NKM0113231	Axial Single BBH 1 1/4"	60	NKM0281617	Radial Mill Head 16x17mm	88
NKM0113240	Axial Single BBH 32mm	62	NKM0281919	Radial Mill Head 3/4"3/4"	88
NKM0114000	Axial Single BBH 40mm	61	NKM0282219	Radial Mill Head 22x19mm	88
NKM0114010	Axial Single BBH 40mm	61	NKM0282519	Radial Mill Head 1"x19mm	88
NKM0114030	Axial Single BBH 1 1/2"	61	NKM0282721	Radial Mill Head 27x21mm	88
NKM0130216	Axial Single-Side Twin ER16	44	NKM0290125	Axial ERA25	90
NKM0130225	Axial Single-Side Twin ER25	44	NKM0290132	Axial ERA32	90
NKM0130425	Axial Single-Side Twin ER25 Cool Thru*	44	NKM0290140	Axial ER40	90
NKM0130520	Axial Single-Side Twin ERA20 Cool Thru*	44	NKM0290225	Axial ERA25 Cool Thru*	90
NKM0131216	Axial Single-Side Twin ER16	45	NKM0290232	Axial ERA32 Cool Thru*	90
NKM0131225	Axial Single-Side Twin ER25	45	NKM0290240	Axial ER40 Cool Thru*	90

Table of Contents

Part Number Index

NKM0292219	Axial Mill Head 22x19mm	90	NKM0690316	Radial Weldon 16	1
NKM0302500	Axial Single BBH 25mm H=75mm	102	NKM0700516	Radial Driven Tool Weldon 16	30
NKM0302540	Axial Single BBH 1" H=75mm	102	NKM0702519	Radial Mill Head 1"x19mm	30
NKM0303200	Axial Single BBH 32mm H=75mm	101	NKM0710111	Axial Geared-Up 1:2 ER11	11
NKM0303810	Axial Single BBH 1-1/2" H=75mm	101	NKM0710120	Axial Geared-Up 1:2 ER20	11
NKM0304000	Axial Single BBH 40mm H=75mm	101	NKM0710125	Axial Geared-Up 1:2 ER25	11
NKM0311100	Gear Hobbing Tool 1:1	78	NKM0710211	Axial Geared-Up 1:2 ER11 Cool Thru*	11
NKM0312100	Gear Hobbing Tool Geared Down 2:1	78	NKM0710220	Axial Geared-Up 1:2 ER20 Cool Thru*	11
NKM0320225	Radial Singe-Side Twin Head ER25	32	NKM0710225	Axial Geared-Up 1:2 ER25 Cool Thru*	11
NKM0321225	Radial Singe-Side Twin Head ER25 Cool Thru*	32	NKM0710320	Axial Geared-Up 1:2 ERA20	11
NKM0331100	Gear Hobbing Tool 1:1	96	NKM0710420	Axial Geared-Up 1:2 ERA20 Cool Thru*	11
NKM0332100	Gear Hobbing Tool Geared Down 2:1	96	NKM0722500	Axial Single BBH 25mm	24
NKM0361905	Radial Single-Side Twin Static Tool 3/4"	98	NKM0722540	Axial Single BBH 1"	24
NKM0362000	Radial Single-Side Twin Static Tool 20mm	98	NKM0733200	Axial Single BBH 32mm	22
NKM0381905	Radial Multiple Static Tool 3/4"x3/4"	99	NKM0740132	Axial ER32	92
NKM0382000	Radial Multiple Static Tool 20x20mm	99	NKM0740140	Axial ER40	92
NKM0392500	Axial 3 Position BBH 25mm	103	NKM0740232	Axial ER32 Cool Thru*	92
NKM0392540	Axial 3 Position BBH 1"	103	NKM0740240	Axial ER40 Cool Thru*	92
NKM0412000	Radial Single Static Tool 20mm	98	NKM0740716	Axial Weldon 16	92
NKM0412500	Radial Single Static Tool 25mm	98	NKM0740816	Axial Weldon 16	92
NKM0422000	Radial Double Static Tool 20mm	99	NKM0752132	Radial Geared Down 2:1 Re-Directed in Z	88
NKM0422500	Radial Double Static Tool 25mm	99	NKM0760300	Driven Toolholder for Sliding Steady Rest (Size 1)	53
NKM0432000	Axial Single Static Tool 20mm	101	NKM0760300US	Driven Toolholder for Sliding Steady Rest (Size 1) with Electronics	53
NKM0432500	Axial Single Static Tool 25mm	101	NKM0790120	Adj. Angle (0-180) ERA20	47
NKM0442500	Axial 2 Position BBH 25mm	102	NKM0790220	Adj. Angle (0-180) ERA20 Cool Thru*	47
NKM0442540	Axial 2 Position BBH 1"	102	NKM0790316	Adj. Angle (0-180) Geared-Up 1:2 ERA16	49
NKM0452000	Multiple Radial Static Tool 20mm	20	NKM0790416	Adj. Angle (0-180) Geared-Up 1:2 ERA16 Cool Thru*	49
NKM0462500	Axial 2 Position BBH 25mm	26	NKM0795120	0-180 Adj. Angle ERA20 with Digital Display	48
NKM0473810	Axial Single BBH 1-1/2"	83	NKM0795220	0-180 Adj. Angle ERA20 with Digital Display Cool Thru	48
NKM0474000	Axial Single BBH 40mm	83	NKM0795316	0-180 Adj. Angle ERA16 Geared-Up with Digital Display	50
NKM0475080	Axial Single BBH 2"	83	NKM0795416	0-180 Adj. Angle ERA16 Geared-Up with Digital Display Cool Thru	50
NKM0492525	Axial Opposite Face ER25+ER25	42	NKM0800120	Adj. Angle (0-180) ERA20	76
NKM0493232	Axial Opposite Face ER32+ER32	42	NKM0800220	Adj. Angle (0-180) ERA20 Cool Thru*	76
NKM0502525	Axial Opposite Face ER25+ER25	43	NKM0800316	Adj. Angle (0-180) Geared-Up 1:2 ERA16	77
NKM0503232	Axial Opposite Face ER32+ER32	43	NKM0800416	Adj. Angle (0-180) Geared-Up 1:2 ERA16 Cool Thru*	77
NKM0512500	Radial Static Tool 25mm	81	NKM0805120	0-180 Adj. Angle with Digital Display ERA20	76
NKM0522500	Axial Single Static 25mm	83	NKM0805220	0-180 Adj. Angle with Digital Display ERA20 Cool Thru*	76
NKM0522540	Axial Single Static 1"	83	NKM0805316	0-180 Adj. Angle Geared-Up ERA16 with Digital Display	77
NKM0532500	Radial Double Static Tool 25mm	81	NKM0805416	0-180 Adj. Angle Geared-Up ERA16 with Digital Display Cool Thru*	77
NKM0532540	Radial Double Static Tool 1"	81	NKM0810120	Adj. Angle (0-180) ERA20	94
NKM0543200	Axial Single BBH 32mm	84	NKM0810220	Adj. Angle (0-180) ERA20 Cool Thru*	94
NKM0544000	Axial Single BBH 40mm	84	NKM0810316	Adj. Angle (0-180) Geared-Up ERA16	95
NKM0552500	Axial Double BBH 25mm	84	NKM0810416	Adj. Angle (0-180) Geared-Up ERA16 Cool Thru*	95
NKM0552540	Axial Double BBH 1"	84	NKM0815120	0-180 Adj. Angle ERA20 with Digital Display	94
NKM0571905	Radial Multiple Static Tool 3/4"	82	NKM0815220	0-180 Adj. Angle ERA20 with Digital Display Cool Thru*	94
NKM0572000	Radial Multiple Static Tool 20mm	82	NKM0815316	0-180 Adj. Angle Geared-Up ERA16 with Digital Display	95
NKM0580132	Radial Blade Holder with Blade Kit	82	NKM0815416	0-180 Adj. Angle Geared-Up ERA16 with Digital Display Cool Thru*	95
NKM0590232	Axial Opposite Face ER32+ER32	73	NKM0820300	Driven Toolholder for Sliding Steady Rest (Size 1)	97
NKM0600232	Axial Opposite Face ER32+ER32	93	NKM0820300US	Driven Toolholder for Sliding Steady Rest (Size 1) with Electronics	97
NKM0600240	Axial Opposite Face ER40+ER40	93	NKM0852132	Radial Geared-Up ERA25	89
NKM0610125	Axial Driven Tool ERA25	91	NKM0854225	Radial Geared-Up ERA25 Cool Thru*	89
NKM0610132	Axial Driven Tool ERA32	91	NKM0860325	Axial Geared Up 1:2 ERA25	93
NKM0610140	Axial Driven Tool ERA40	91	NKM0860425	Axial Geared Up 1:2 ERA25 Cool Thru*	93
NKM0610225	Axial Driven Tool ERA25 Cool Thru*	91	NKM0874010	Axial Single Static Capto C4 Right Hand	104
NKM0610232	Axial Driven Tool ERA32 Cool Thru*	91	NKM0874010LC	Axial Single Static Capto C4 Left Hand	104
NKM0610240	Axial Driven Tool ERA40 Cool Thru*	91			
NKM0612219	Axial Driven Tool 22x19mm	91			
NKM0621025	Radial ±30° Adjustable Angle ERA25	32			
NKM0652500	Axial Double BBH 25mm	65			
NKM0652540	Axial Double BBH 1"	65			
NKM0660132	Radial Geared-Up 1:2 Driven Tool ER32	71			
NKM0670316	(0-180) Adjustable Angle ERA16	16			
NKM0670416	(0-180) Adjustable Angle ERA16 Cool Thru*	16			
NKM0671316	0-180° Adj Angle ERA16	16			
NKM0671416	0-180° Adj Angle ERA16 Cool Thru*	16			
NKM0680116	Radial Geared-Up 1:3 Driven Tool	72			

Table of Contents

Part Number Index

NKM0910100	Broaching/Slotting Driven Tool H=66mm	52	NKM1230519	0-180 Adj. Angle with Digital Display 3/4"x3/4"	75
NKM0910200	Broaching/Slotting Driven Tool H=66mm	52	NKM1230522	0-180 Adj. Angle with Digital Display 22x19mm	75
NKM0920100	Broaching/Slotting Driven Tool H=76mm	52	NKM1240100	Axial MTSK-40 for Power Skiving	51
NKM0920200	Broaching/Slotting Driven Tool H=76mm	53	NKM1250616	Axial Single Side Twin Weldon 16	45
NKM0930100	Broaching/Slotting Driven Tool	79	NKM1260120	0-180 Adj. Angle ER20	46
NKM0930200	Broaching/Slotting Driven Tool	79	NKM1260125	0-180 Adj. Angle ER25	46
NKM0940100	Broaching/Slotting Driven Tool	97	NKM1260516	0-180 Adj. Angle 16x17mm	46
NKM0940200	Broaching/Slotting Driven Tool	97	NKM1260519	0-180 Adj. Angle 3/4"x3/4"	46
NKM0950300	Driven Toolholder for Sliding Steady Rest (Size 1)	80	NKM1260522	0-180 Adj. Angle 22x19mm	46
NKM0950300US	Driven Toolholder for Sliding Steady Rest (Size 1) with Electronics	80	NKM1270120	0-180 Adj. Angle ER20	74
			NKM1270125	0-180 Adj. Angle ER25	74
NKM0990140	Axial Reinforced ER40	38	NKM1270516	0-180 Adj. Angle 16x17mm	74
NKM0990240	Axial Reinforced ER40 Cool Thru*	38	NKM1270519	0-180 Adj. Angle 3/4"x3/4"	74
NKM0992519	Axial Reinforced 1"x19mm	38	NKM1270522	0-180 Adj. Angle 22x19mm	74
NKM0992721	Axial Reinforced 27x21mm	38	NKM1320125	Axial ER25	8
NKM1000150	Axial Reinforced MTSK-50	37	NKM1320225	Axial ER25 Cool Thru*	8
NKM1000250	Axial Reinforced MTSK-50 Cool Thru*	37	NKM1320520	Axial ERA20	8
NKM1010150	Axial Reinforced MTSK-50	38	NKM1320620	Axial ERA20 Cool Thru*	8
NKM1010250	Axial Reinforced MTSK-50 Cool Thru*	38	NKM1321617	Axial Mill Head 16x17mm	8
NKM1030132	Radial Blade Holder with Blade Kit	58	NKM1322219	Axial Mill Head 22x19mm	8
NKM1041600	Axial 3 Position BBH 16mm	28	NKM1340132	Axial MTSK-32 Driven Tool	9
NKM1051905	Radial Single Twin 3/4"	55	NKM1340232	Axial MTSK-32 Driven Tool Cool Thru*	9
NKM1052000	Radial Single Twin 20mm	55	NKM1350240	Radial MTSK-40 Cool Thru*	31
NKM1052010	Radial Single Twin 20mm Cool Thru*	55	NKM1362500	Axial Rear Set BBH 25mm	64
NKM1064010	Axial Rear Set Boring Capto C4 Right Hand	104	NKM1363200	Axial Rear Set BBH 32mm	63
NKM1064010LC	Axial Rear Set Boring Capto C4 Left Hand	104	NKM1390132	Axial ER32	36
NKM1071108	Driven Gear Hobber 1:1	17	NKM1390140	Axial ER40	36
NKM1071110	Driven Gear Hobber 1:1	17	NKM1390232	Axial ER32 Cool Thru*	36
NKM1071113	Driven Gear Hobber 1:1	17	NKM1390240	Axial ER40 Cool Thru*	36
NKM1071116	Driven Gear Hobber 1:1	17	NKM1403225	Axial Opposite Face ER32+ER25	44
NKM1071155	Driven Gear Hobber 1:1	17	NKM1410140	Axial MTSK-40	36
NKM1072108	Driven Gear Hobber Geared-Down 2:1	17	NKM1410240	Axial MTSK-40 Cool Thru*	36
NKM1072110	Driven Gear Hobber Geared-Down 2:1	17	NKM1422500	Axial 3 Position BBH 25mm	67
NKM1072113	Driven Gear Hobber Geared-Down 2:1	17	NKM1432500	Axial Double BBH 25mm	65
NKM1072116	Driven Gear Hobber Geared-Down 2:1	17	NKM1440140	Axial MTSK-40	92
NKM1072155	Driven Gear Hobber Geared-Down 2:1	17	NKM1440240	Axial MTSK-40 Cool Thru*	92
NKM1080125	Axial Rear-Set Driven Tool ER25	39	NKM1452525	Axial Double Collet Chuck ER25+ER25	68
NKM1080132	Axial Rear-Set Driven Tool ER32	39	NKM1453232	Axial Double Collet Chuck ER32+ER32	68
NKM1080225	Axial Rear-Set Driven Tool ER25 Cool Thru*	39	NKM1469108	Axial for Internal Polygon-Making Weldon 8	12
NKM1080232	Axial Rear-Set Driven Tool ER32 Cool Thru*	39	NKM1469110	Axial for Internal Polygon-Making Weldon 10	12
NKM1101905	Radial Single Side Twin Static Tool 3/4"	55	NKM1469112	Axial for Internal Polygon-Making Weldon 12	12
NKM1102000	Radial Single Side Twin Static Tool 20mm	55	NKM1469116	Axial for Internal Polygon-Making Weldon 16	12
NKM1110132L	Radial Blade Holder Cool Thru (Left Hand)	58	NKM1469125	Axial for Internal Polygon-Making ER25	12
NKM1110132R	Radial Blade Holder Cool Thru (Right Hand)	58	NKM1479108	Axial for Internal Polygon-Making Weldon 8	13
NKM1120325	Radial Geared-Up Single Side Twin Head ERA25	89	NKM1479110	Axial for Internal Polygon-Making Weldon 10	13
NKM1132000	Axial 3+3 Position BBH 20mm	103	NKM1479112	Axial for Internal Polygon-Making Weldon 12	13
NKM1140140	Axial MTSK-40 Rear-Set	39	NKM1479116	Axial for Internal Polygon-Making Weldon 16	13
NKM1140240	Axial MTSK-40 Rear-Set Cool Thru*	39	NKM1480240	Axial for Internal Polygon-Making ER25	13
NKM1150132	Radial Blade Holder with Blade Kit	100	NKM1492500	Radial Reinforced ER40 Cool Thru*	70
NKM1160132L	Radial Blade Holder Cool Thru Left Version	100	NKM1492540	Axial 3 Position BBH 25mm	66
NKM1160132R	Radial Blade Holder Cool Thru Right Version	100	NKM1492540	Axial 3 Position BBH 1"	66
NKM1170100	Axial MTSK-40 for Power Skiving	96	NKM1514010	Radial Single Rear-Set Capto C4 Right Hand	69
NKM1180100	Axial MTSK-40 for Power Skiving	78	NKM1514010LC	Radial Single Rear-Set Capto C4 Left Hand	69
NKM1190132	Radial MTSK-32 Driven Tool	2	NKM1524010	Axial Rear Set Boring Single Static C4 Right Hand	69
NKM1190232	Radial MTSK-32 Driven Tool Cool Thru*	2	NKM1524010LC	Axial Rear Set Boring Single Static C4 Left Hand	69
NKM1200132	Axial MTSK-32 Driven Tool	7	NKM1530325	Radial Redirected Geared-Down 3:1 ERA25	4
NKM1200232	Axial MTSK-32 Driven Tool Cool Thru*	7	NKM1540325	Radial Single Side Twin in Y ERA25	72
NKM1210200	Broaching/Slotting Tool 25mm Stroke	17	NKM1550325	Axial Single Side Twin in Y ERA25	74
NKM1220120	0-180 Adj. Angle ER20 with Digital Display	47	NKM1560320	Radial Redirected ER20	71
NKM1220125	0-180 Adj. Angle ER25 with Digital Display	47	NKM1570132	Axial ER32	105
NKM1220516	0-180 Adj. Angle 16x17mm with Digital Display	47	NKM1570140	Axial ER40	105
NKM1220519	0-180 Adj. Angle 3/4"x3/4" with Digital Display	47	NKM1570232	Axial ER32 Cool Thru*	105
NKM1220522	0-180 Adj. Angle 22x19mm with Digital Display	47	NKM1570240	Axial ER40 Cool Thru*	105
NKM1230120	0-180 Adj. Angle with Digital Display ER20	75	NKM1580325	Radial Redirected Geared-Down 2:1 ERA25	3
NKM1230125	0-180 Adj. Angle with Digital Display ER25	75	NKM1580425	Radial Redirected Geared-Down 2:1 ERA25 Cool Thru*	3
NKM1230516	0-180 Adj. Angle with Digital Display 16x17mm	75			

Table of Contents

Part Number Index

NKM1590132	Radial ER32	105	NKM1941110	Radial Driven Gear Hobber1:1 D=10mm	51
NKM1590140	Radial ER40	105	NKM1941113	Radial Driven Gear Hobber1:1 D=13mm	51
NKM1602500	Radial Single Static 25mm	106	NKM1941116	Radial Driven Gear Hobber1:1 D=16mm	51
NKM1613200	Axial Single BBH 32mm	106	NKM1972000	Radial Single Side Twin Static Ø20mm	19
NKM1614000	Axial Single BBH Ø40mm	106	NKM1982000	Radial Double Side Twin Static Ø20mm	20
NKM1620100	Tailstock for Subspindle 38mm	85	NKM1993200	Axial Single BBH Ø32mm	23
NKM1620100L	Tailstock for Subspindle 2"	85	NKM2002500	Axial Double BBH 2 Positions in Y Ø25mm	26
NKM1641617	Radial Redirected Geared-Down 2:1 16x17mm	4	NKM2023200	Axial Single BBH Ø32mm	23
NKM1642219	Radial Redirected Geared-Down 2:1 22x19mm	4	NKM2040116	Axial Geared-Up 1:3 Rear Set ER16	41
NKM1650316	Axial Geared-Up 1:3 ERA16	12	NKM2040216	Axial Geared-Up 1:3 Rear Set ER16 Cool Thru*	41
NKM1650416	Axial Geared-Up 1:3 ERA16 Cool Thru*	12	NKM2080132	Axial Driven Tool ER32	34
NKM1670316	Radial Reinforced Weldon 16	1	NKM2080140	Axial Driven Tool ER40	34
NKM1670520	Radial Reinforced ERA20	1	NKM2080232	Axial Driven Tool ER32 Cool Thru*	34
NKM1680125	Axial ER25	7	NKM2080240	Axial Driven Tool ER40 Cool Thru*	34
NKM1680225	Axial ER25 Cool Thru*	7	NKM2090140	Axial MTSK-40 Driven Tool	34
NKM1680520	Axial ERA20	7	NKM2090240	Axial MTSK-40 Driven Tool Cool Thru*	34
NKM1680620	Axial ERA20 Cool Thru*	7	NKM2103225	Axial Opposite Face ER32+ER25	43
NKM1690316	Radial Redirected ERA16	3	NKM2110240	Radial Driven Tool Capto C4 Cool Thru*	86
NKM1690416	Radial Redirected ERA16 Cool Thru*	3	NKM2124010	Axial Rear-Set Boring Single Static Capto C4 Right Hand	87
NKM1691316	Radial Redirected Geared-Up 1:2 ERA16	5	NKM2124010LC	Axial Rear-Set Boring Single Static Capto C4 Left Hand	87
NKM1691416	Radial Redirected Geared-Up 1:2 ERA16 Cool Thru*	5	NKM2130140	Axial Driven Tool Capto C4	86
NKM1720132	Axial MTSK-32 Driven Tool	8	NKM2130240	Axial Driven Tool Capto C4 Cool Thru*	86
NKM1720232	Axial MTSK-32 Driven Tool Cool Thru*	8	NKM2140126	Radial Blade Holder with Blade Kit	21
NKM1730125	Axial ER25	9	NKM2150226	Radial Blade Holder Internal Coolant	21
NKM1730225	Axial ER25 Cool Thru*	9			
NKM1730520	Axial ERA20	9			
NKM1730620	Axial ERA20 Cool Thru*	9			
NKM1740132	Axial MTSK-32 Driven Tool	10			
NKM1740232	Axial MTSK-32 Driven Tool Cool Thru*	10			
NKM1750132	Radial MTSK-32 Driven Tool 8,000 RPM	2			
NKM1760216	Axial Single Side Twin Head Driven Tool in Y	15			
NKM1772500	Axial 2 Position BBH 25mm	27			
NKM1781600	Axial 3 Position BBH 16mm	28			
NKM1790125	Radial ER25	1			
NKM1790225	Radial ER25 Cool Thru*	1			
NKM1790320	Radial ERA20	1			
NKM1790420	Radial ERA20 Cool Thru*	1			
NKM1790516	Radial Mill Head Ø16x17mm	1			
NKM1800225	Axial Opposite Face Driven Tool	14			
NKM1810125	Radial Reinforced ER25	1			
NKM1820225	Axial Opposite Face Driven Tool	13			
NKM1830125	Radial Reinforced ER25	30			
NKM1830132	Radial Reinforced ER32	30			
NKM1830225	Radial Reinforced ER25 Cool Thru*	30			
NKM1830232	Radial Reinforced ER32 Cool Thru*	30			
NKM1830325	Radial Reinforced ERA25	30			
NKM1830432	Radial Reinforced ERA32 Cool Thru*	30			
NKM1830516	Radial Mill Head 16x17mm	30			
NKM1830522	Radial Mill Head 22x19mm	30			
NKM1842000	Radial Multiple Static Tool 20mm	21			
NKM1852500	Axial 2 Position BBH 25mm	27			
NKM1862000	Radial Single Static Tool 20mm Cool Thru*	54			
NKM1870140	Axial Capto C4	107			
NKM1870150	Axial Capto C5	107			
NKM1870240	Axial Capto C4 Cool Thru*	107			
NKM1870250	Axial Capto C5 Cool Thru*	107			
NKM1880300	Sliding Steady Rest - Size 1	18			
NKM1880300US	Sliding Steady Rest - Size 1 with Electronics	18			
NKM1892010	Radial Multiple Static Tool 20mm Cool Thru*	56			
NKM1910140	Radial MTSK-40	31			
NKM1923240	Radial Multiple Static Tool Capto C3 Right Version	29			
NKM1923240LC	Radial Multiple Static Tool Capto C3 Left Version	29			
NKM1933220	Axial Multiple Static Tool Capto C3 Right Version	29			
NKM1933220LC	Axial Multiple Static Tool Capto C3 Left Version	29			
NKM1941108	Radial Driven Gear Hobber1:1 D=8mm	51			