

DRIVEN and STATIC TOOLING
For
SMART



10139 BERGIN RD.

HOWELL, MI 48843

PHONE : 877-91-TOOLS (810-632-4446)

FAX: 877-92-TOOLS (810-632-4467)

EMAIL: info@mdtooling.com

WEBSITE: www.mdtooling.com

Live Tooling



M. T. Marchetti, a major live tool manufacturer in northern Italy, is a leader in live tool technology. The formula is simple. Use only the best angular contact high-speed bearings available. Add to this an exacting tolerances for all ground shafts, gears and bearing pocket features. Next, develop a sealed system that **will not** allow any contamination from chips or coolant.

Top this all off with a superior design and you end up with a live tool that is more rigid, faster and will last longer. **We back this up with a 2-Year factory warranty.**

Our Live Tool Warranty

Our tooling will give years of service in the most demanding applications. The superior design and rugged construction has proven this over the last 12 years. The reliability of our tools allows us to provide a 2-year factory warranty, for non-wear components.

MD Tooling will repair any defective tool holders for a period of 2 years from the date of purchase.

Product Range

We have the largest range of live tooling available for most major machine tool manufactures.

Our available products include an extensive line of standard live tooling as well as specialty tool holders such as 0-180 adjustable angle tool holders, gear hobbors, and even worm gear generators. Our product range includes geared up holders to 60,000 RPM and are engineered for 1,000 PSI coolant through.

We are an industry leader in providing complete tooling solutions with hundreds of static tool options as well.

Technical Support

Here at MD Tooling we have a full technical support department with over 35 years of CNC experience.

Our highly qualified staff can help with part processing, tooling up a job from a blue print and even assist with part programming. Applications Engineers are always available by phone to answer any questions you may have about our tooling or any other CNC related issue.

Stock and Replenishment

MD Tooling maintains an extensive inventory of tooling in our warehouse in Michigan. Our current "fill" rate on orders is 93% from our stock in Michigan for same day shipping.

Should you require a non-stock item, our manufacturer, M.T. Marchetti also maintains a large inventory in Italy. Tooling can be obtained in as little as 3-5 business days.

Shipping

MD Tooling realizes that when you need tooling, often you can't wait until the next day. We process orders and ship from available stock right up until 4PM EST to make certain we get your tooling solutions to you as quickly as possible.

We regularly ship throughout the day via UPS, FedEx or any other carrier that a customer requests.



10139 Bergin Road
Howell, MI 48843
Phone: (810) 632-4446
Fax: (810) 632-4467
Email: info@mdtooling.com
Web: www.mdtooling.com

- Fast, Friendly, Reliable Service!
- Quality tooling at highly competitive pricing.
- 2-Year Warranty on all live tools.
- Extensive inventory. We currently ship over 93% of all orders same day.
- In-house repair services available.
- If a warranty tool needs to be returned for inspection, service or repair, loaner tools are available to keep your machine tool production up and running.
- More specialty tool holders than any other manufacturer.
- Custom tool holders available.
- All available tooling may not be shown in this catalog. If you can't find the holder you're looking for, please contact our office for assistance.



Table of Contents

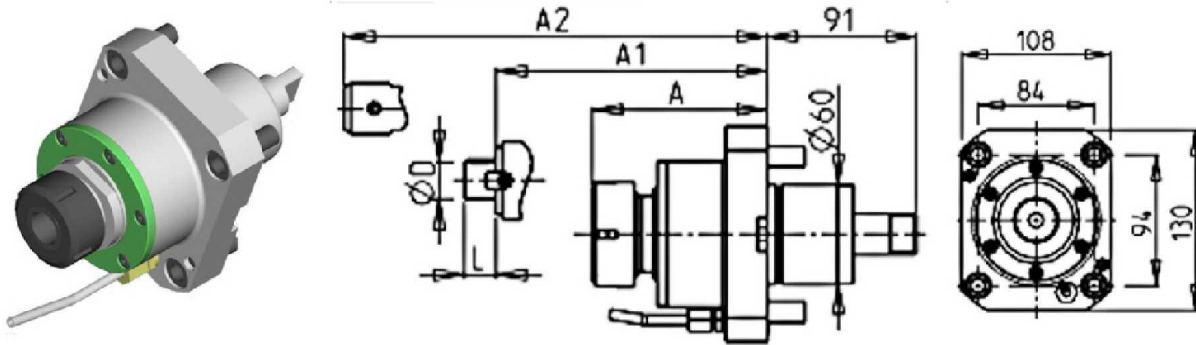
Categorized Listing

SL3300 S/SY	1
DRIVEN	1
RADIAL DRIVEN TOOL	1
RADIAL DRIVEN TOOL REDIRECTED IN Z BY 45mm	2
RADIAL GEARED-DOWN 2:1 DRIVEN TOOL REDIRECTED IN Z BY 45mm	2
RADIAL GEARED-UP 1:2 DRIVEN TOOL REDIRECTED IN Z BY 45mm	3
RADIAL SINGLE SIDE TWIN HEAD DRIVEN TOOL IN Y	3
RADIAL SINGLE SIDE TWIN HEAD DRIVEN TOOL IN Z	4
RADIAL MULTIPLE 6 OUTLET DRIVEN TOOL	4
RADIAL INVERTED DRIVEN TOOL RE-DIRECTED IN Z	5
AXIAL DRIVEN TOOL	6
QUICK CHANGE AXIAL MTSK DRIVEN TOOL	7
AXIAL REAR-SET DRIVEN TOOL	7
AXIAL GEARED-DOWN 2:1 DRIVEN TOOL	8
AXIAL GEARED-UP 1:2 DRIVEN TOOL	9
AXIAL OPPOSITE FACE TWIN DRIVEN TOOL	9
AXIAL GEARED-UP 1:2 OPPOSITE FACE TWIN DRIVEN TOOL	10
AXIAL SINGLE SIDE TWIN HEAD DRIVEN TOOL IN Y	10
AXIAL MULTIPLE 4/8 OUTLET DRIVEN TOOL	11
(0-180) ADJUSTABLE ANGLE DRIVEN TOOL	11
(0-180) ADJUSTABLE ANGLE DRIVEN TOOL WITH DIGITAL DISPLAY	12
(0-180) ADJUSTABLE ANGLE DRIVEN TOOL GEARED-UP 1:2	13
(0-180) ADJUSTABLE ANGLE DRIVEN TOOL GEARED-UP 1:2 WITH DIGITAL DISPLAY	13
DRIVEN GEAR HOBBER	14
REINFORCED DRIVEN GEAR HOBBER	14
DRIVEN TOOL FOR WORM SCREWS	15
BROACHING/SLOTTING DRIVEN TOOL 50mm STROKE H=94mm	15
BROACHING/SLOTTING DRIVEN TOOL 25mm STROKE H=94mm	15
STATIC	16
RADIAL SINGLE STATIC TOOL	16
RADIAL REAR-SET SINGLE STATIC TOOL	16
RADIAL SINGLE SIDE TWIN STATIC TOOL	17
RADIAL DOUBLE STATIC TOOL	17
RADIAL DOUBLE SIDE TWIN STATIC TOOL	18
RADIAL DOUBLE BLADE HOLDER WITH BLADE KIT	18
RADIAL DOUBLE TWIN-SIDE BLADE HOLDER WITH BLADE KIT	19
RADIAL DOUBLE BLADE HOLDER WITH INTERNAL COOLANT - BLADE KIT NOT INCLUDED	19
AXIAL SINGLE STATIC TOOL	20
AXIAL SINGLE BORING BAR HOLDER 2" H=80mm	20
AXIAL SINGLE BORING BAR HOLDER 1-1/2" H=80mm	21
AXIAL SINGLE EXTENDED BORING BAR HOLDER 40mm H=80mm	21
AXIAL 2+2 POSITION UPRIGHT BORING BAR HOLDER 1-1/4"	22
AXIAL 3+3 POSITION UPRIGHT BORING BAR HOLDER 1"	22
AXIAL 3 POSITION UPRIGHT REAR SET BORING BAR HOLDER 1"	23
AXIAL 3+3 POSITION BORING BAR HOLDER 1-1/4"	23
AXIAL 4+4 POSITION BORING BAR HOLDER 1"	24
AXIAL 8 POSITION BORING BAR HOLDER 3/4"	24
TAILSTOCK FOR SUBSPINDLE	24
CAPTO	25
RADIAL DRIVEN TOOL COROMANT CAPTO	25
AXIAL DRIVEN TOOL COROMANT CAPTO	25
RADIAL SINGLE STATIC TOOL COROMANT CAPTO	26
RADIAL DOUBLE STATIC TOOL COROMANT CAPTO	26
RADIAL DOUBLE 2+2 UPRIGHT POSITION STATIC TOOL COROMANT CAPTO	27
RADIAL DOUBLE 3+3 UPRIGHT POSITION STATIC TOOL COROMANT CAPTO	27
AXIAL SINGLE STATIC TOOL COROMANT CAPTO	28
AXIAL REAR-SET SINGLE STATIC TOOL COROMANT CAPTO	28
AXIAL OPPOSITE FACE TWIN STATIC TOOL COROMANT CAPTO	29

SL3300 S/SY

DRIVEN

RADIAL DRIVEN TOOL



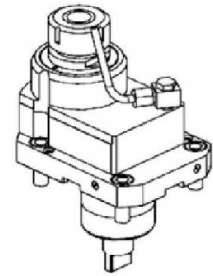
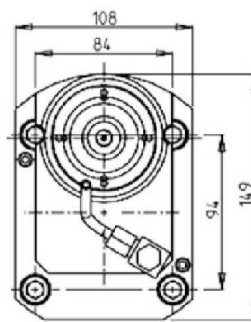
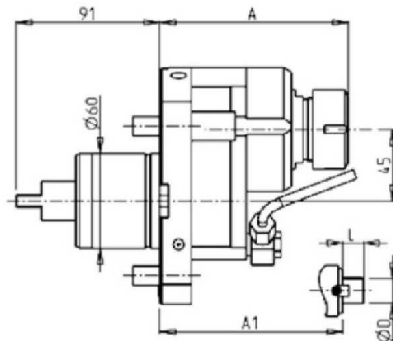
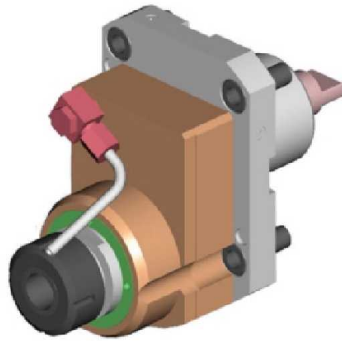
Part Number	Description	Spindle	I	RPM	Cool Thru	Ext Cool	A	A1	A2	D	L
GDW0020532	Radial ER32	ER32	1:1	6000		X	104.16				
GDW0021532	Radial ER32 Cool Thru	ER32	1:1	6000	X	X	104.16				
GDW0020732	Radial ER32 Cool Thru	ER32	1:1	6000	X		107.66				
GDW0020632	Radial ER32	ER32	1:1	6000		X	144.16				
GDW0021632	Radial ER32 Cool Thru	ER32	1:1	6000	X	X	144.16				
GDW0022132	Radial ER32 Short	ER32	1:1	6000		X	75.76				
GDW0020140	Radial ER40	ER40	1:1	6000		X	106.66				
GDW0021140	Radial ER40 Cool Thru	ER40	1:1	6000	X	X	106.66				
GDW0022140	Radial ER40 Short	ER40	1:1	6000		X	89.66				
GDW0022519	Radial Mill Head 1"x19mm	1"x19	1:1	6000		X		81.5		1"	21
GDW0020525	Radial Mill Head 1"x19mm Cool Thru	1"x19	1:1	6000	X	X		84.5		1"	21
GDW0021617	Radial Mill Head 16x17	16x17	1:1	6000		X		116		16	17
GDW0022219	Radial Mill Head 22x19	22x19	1:1	6000		X		106		22	19
GDW0020122	Radial Mill Head 22x19 Cool Thru	22x19	1:1	6000	X	X		106		22	19
GDW0022721	Radial Mill Head 27x21	27x21	1:1	6000		X		81.5		27	21
GDW0020120	Radial Weldon 20	Weldon20	1:1	6000		X				99.5	
GDW0020220	Radial Weldon 20 Cool Thru	Weldon20	1:1	6000	X	X				99.5	
GDW0020125	Radial Weldon 25	Weldon25	1:1	6000		X				109	
GDW0020425	Radial Weldon 25 Cool Thru	Weldon25	1:1	6000	X	X				109	
GDW0020132	Radial Weldon 32	Weldon32	1:1	6000		X				125.5	

*Coolant Thru tools are designed for 400 psi MAX.
They require 5 Micron Filtration and **CANNOT** be run dry.

SL3300 S/SY

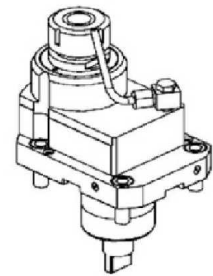
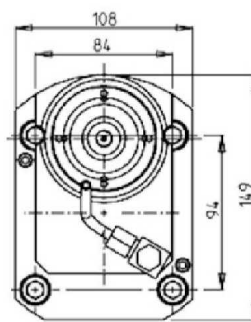
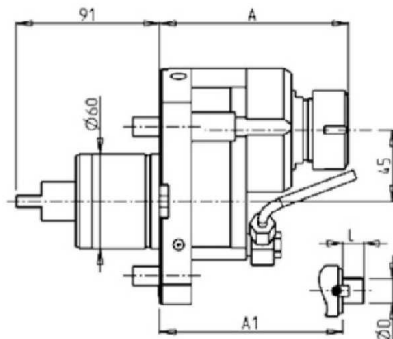
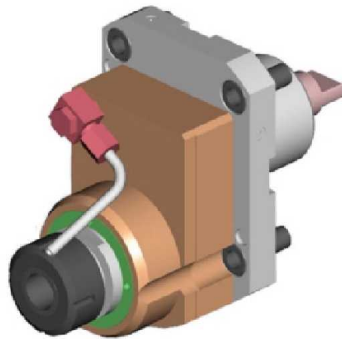
DRIVEN

RADIAL DRIVEN TOOL REDIRECTED IN Z BY 45mm



Part Number	Description	Spindle	I	RPM	Reversible	Ext Cool	A	A1	D	L
GDW0060032	Radial Redirected in Z ER32	ER32	1:1	6000	X	X	120.16			
GDW0062225	Radial Redirected in Z 1"x19mm	1"x19	1:1	6000	X	X	98	1"	19	
GDW0061119	Radial Redirected in Z 3/4"x3/4"	3/4"x3/4"	1:1	6000	X	X	98	3/4"	3/4"	
GDW0061116	Radial Redirected in Z 16x17	16x17	1:1	6000	X	X	98	16	17	
GDW0061122	Radial Redirected in Z 22x19	22x19	1:1	6000	X	X	98	22	19	
GDW0061127	Radial Redirected in Z 27x21	27x21	1:1	6000	X	X	98	27	21	

RADIAL GEARED-DOWN 2:1 DRIVEN TOOL REDIRECTED IN Z BY 45mm

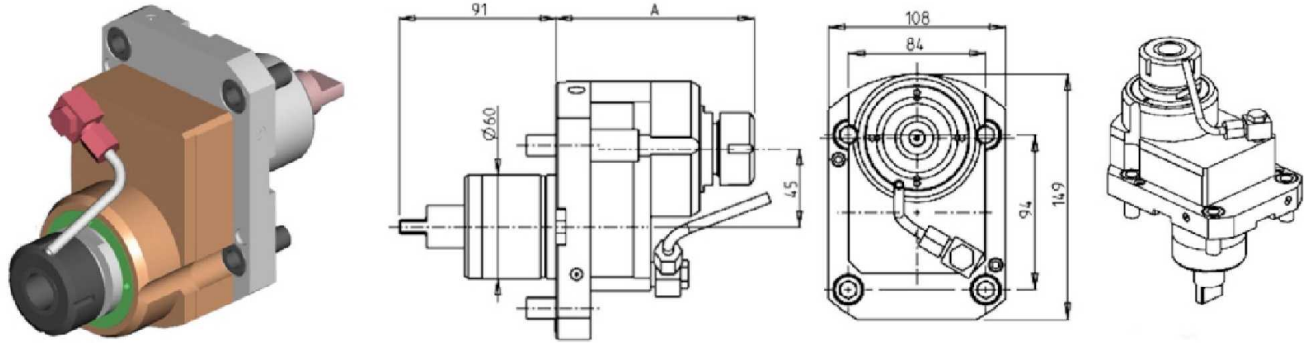


Part Number	Description	Spindle	I	RPM	Reversible	Ext Cool	A	A1	D	L
GDW0062132	Radial Geared-Down 2:1 Redirected in Z ER32	ER32	2:1	3000	X	X	120.16			
GDW0062125	Radial Geared-Down 2:1 Redirected in Z 1"x19	1"x19	2:1	3000	X	X	98	1"	19	
GDW0062119	Radial Geared-Down 2:1 Redirected in Z 3/4"x3/4"	3/4"x3/4"	2:1	3000	X	X	98	3/4"	3/4"	
GDW0062122	Radial Geared-Down 2:1 Redirected in Z 22x19	22x19	2:1	3000	X	X	98	22	19	
GDW0062127	Radial Geared-Down 2:1 Redirected in Z 27x21	27x21	2:1	3000	X	X	98	27	21	

SL3300 S/SY

DRIVEN

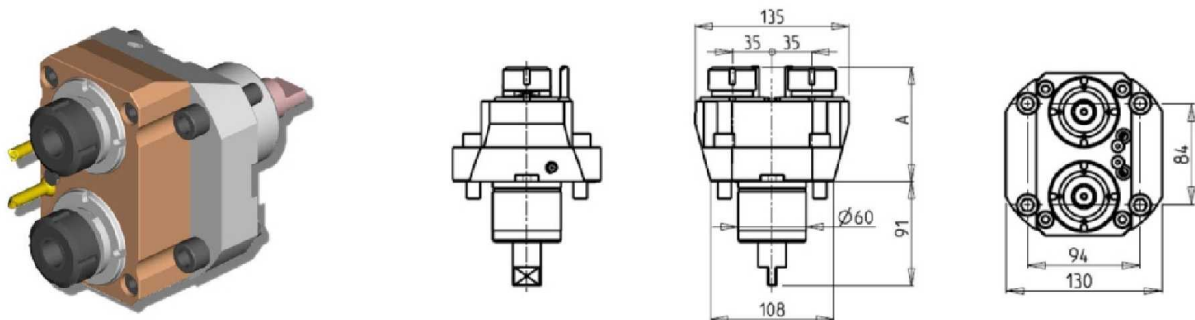
RADIAL GEARED-UP 1:2 DRIVEN TOOL REDIRECTED IN Z BY 45mm



Part Number	Description	Spindle	I	MAX RPM	Reversible	Cool Thru	Ext Cool	A
GDW0061225	Radial Geared-Up 1:2 Redirected in Z ER25	ER25	1:2	12000	X		X	115.16
GDW0062425	Radial Geared-Up 1:2 Redirected in Z ER25 Cool Thru	ER25	1:2	10000	X	X	X	126.16

* Coolant Thru tools are designed for 1000 psi.
They require 5 Micron Filtration and **CANNOT** be run dry.

RADIAL SINGLE SIDE TWIN HEAD DRIVEN TOOL IN Y



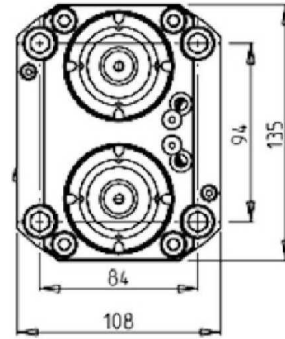
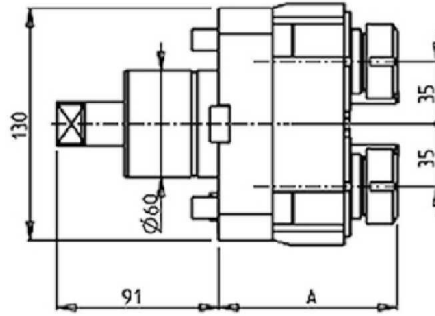
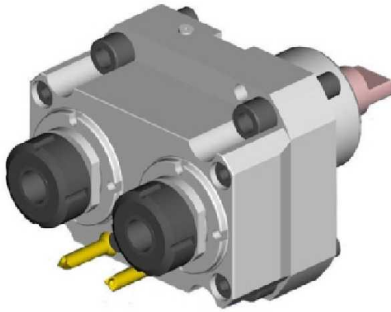
Part Number	Description	Spindle	I	RPM	Cool Thru	Ext Cool	A
GDW0140325	Radial Single Side Twin ERA25	ERA25	1:1	6000		X	88.5
GDW0141325	Radial Single Side Twin ERA25 Cool Thru	ERA25	1:1	6000	X	X	108.53
GDW0140225	Radial Single Side Twin ER25	ER25	1:1	6000		X	99.96
GDW0141225	Radial Single Side Twin ER25 Cool Thru	ER25	1:1	6000	X	X	115.2

* Coolant Thru tools are designed for 1000 psi.
They require 5 Micron Filtration and **CANNOT** be run dry.

SL3300 S/SY

DRIVEN

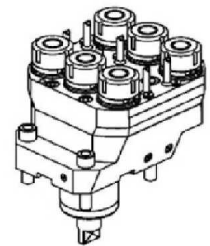
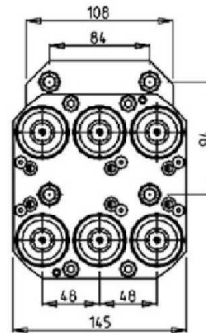
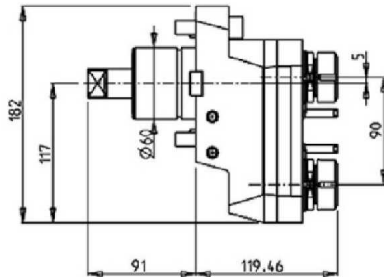
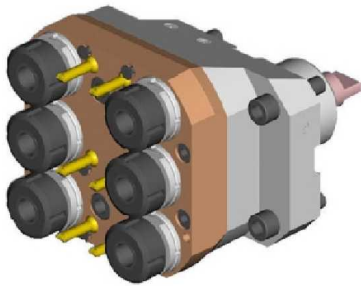
RADIAL SINGLE SIDE TWIN HEAD DRIVEN TOOL IN Z



Part Number	Description	Spindle	I	RPM	Cool Thru	Ext Cool	A
GDW0150325	Radial Single Side Twin ERA25	ERA25	1:1	6000		X	88.5
GDW0151325	Radial Single Side Twin ERA25 Cool Thru	ERA25	1:1	6000	X	X	108.53
GDW0150225	Radial Single Side Twin ER25	ER25	1:1	6000		X	99.96
GDW0151225	Radial Single Side Twin ER25 Cool Thru	ER25	1:1	6000	X	X	115.2

* Coolant Thru tools are designed for 1000 psi.
They require 5 Micron Filtration and **CANNOT** be run dry.

RADIAL MULTIPLE 6 OUTLET DRIVEN TOOL



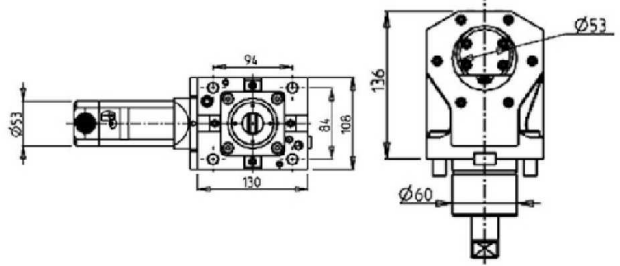
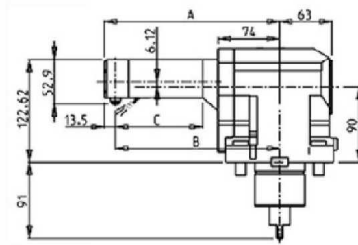
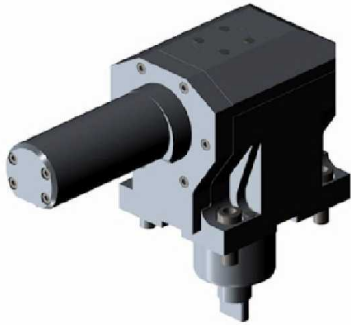
Part Number	Description	Spindle	I	RPM	# of Tools	Reversible	Ext Cool
GDW0160625	Radial Multiple 6 Outlet ER25	ER25	1:1	6000	6	X	X

Note : Wrenches are provided with the purchase of Specialty Toolholders

SL3300 S/SY

DRIVEN

RADIAL INVERTED DRIVEN TOOL RE-DIRECTED IN Z



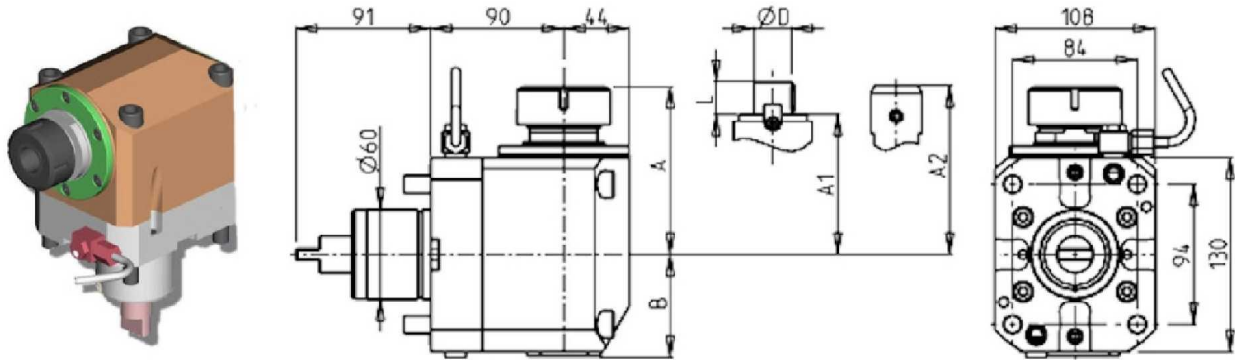
Part Number	Description	Spindle	I	RPM	Ext Cool	A	B	C
GDW0501055	Radial Inverted Driven Tool	CHG	1:1	6000	X	161.5	148	55
GDW0501105	Radial Inverted Driven Tool	CHG	1:1	6000	X	211.5	198	105
GDW0501155	Radial Inverted Driven Tool	CHG	1:1	6000	X	261.5	248	155

Note : Wrenches are provided with the purchase of Specialty Toolholders

SL3300 S/SY

DRIVEN

AXIAL DRIVEN TOOL



Part Number	Description	Spindle	I	RPM	Reversible	Cool Thru	Ext Cool	A	A1	A2	B	D	L
GDW0010525	Axial Driven Tool ER25	ER25	1:1	6000	X		X	107.6			69		
GDW0011525	Axial Driven Tool ER25 Cool Thru	ER25	1:1	6000	X	X	X	107.6			79		
GDW0010332	Axial Driven Tool ERA32	ERA32	1:1	6000	X		X	98.5			69		
GDW0010432	Axial Driven Tool ERA32 Cool Thru	ERA32	1:1	6000	X	X	X	98.5			79		
GDW0010532	Axial Driven Tool ER32	ER32	1:1	6000	X		X	110.6			69		
GDW0011532	Axial Driven Tool ER32 Cool Thru	ER32	1:1	6000	X	X	X	110.6			79		
GDW0010140	Axial Driven Tool ER40	ER40	1:1	6000	X		X	112.6			69		
GDW0011140	Axial Driven Tool ER40 Cool Thru	ER40	1:1	6000	X	X	X	112.6			79		
GDW0012519	Axial Driven Tool 1"x19mm	1"x19	1:1	6000	X		X		87.5		69	1"	19
GDW0011617	Axial Driven Tool 16x17mm	16x17	1:1	6000	X		X		87.5		69	16	17
GDW0012219	Axial Driven Tool 22x19mm	22x19	1:1	6000	X		X		87.5		69	22	19
GDW0012721	Axial Driven Tool 27x21mm	27x21	1:1	6000	X		X		87.5		69	27	21
GDW0010120	Axial Driven Tool Weldon 20	Weldon20	1:1	6000	X		X			105.5	69		
GDW0010220	Axial Driven Tool Weldon 20 Cool Thru	Weldon20	1:1	6000	X	X	X			105.5	91.5		
GDW0010125	Axial Driven Tool Weldon 25	Weldon25	1:1	6000	X		X			115	69		
GDW0010225	Axial Driven Tool Weldon 25 Cool Thru	Weldon25	1:1	6000	X	X	X			115	91.5		
GDW0010132	Axial Driven Tool Weldon 32	Weldon32	1:1	6000	X		X			131.5	69		

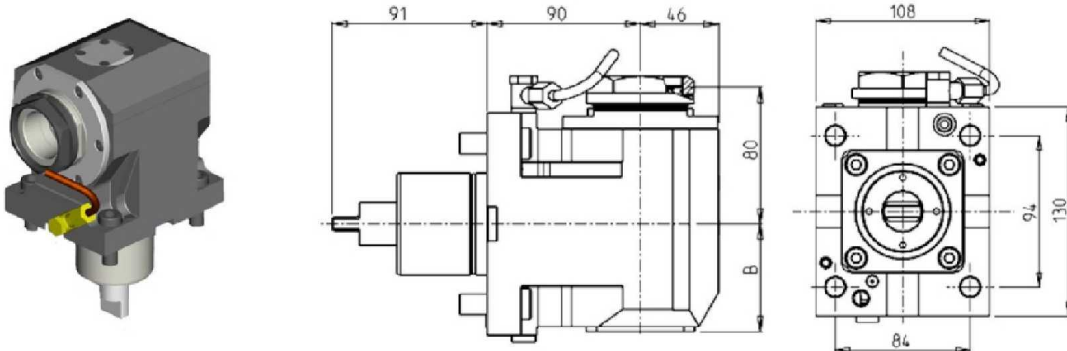
* Coolant Thru tools are designed for 1000 psi.
They require 5 Micron Filtration and **CANNOT** be run dry.

SL3300 S/SY

DRIVEN

QUICK CHANGE AXIAL MTSK DRIVEN TOOL

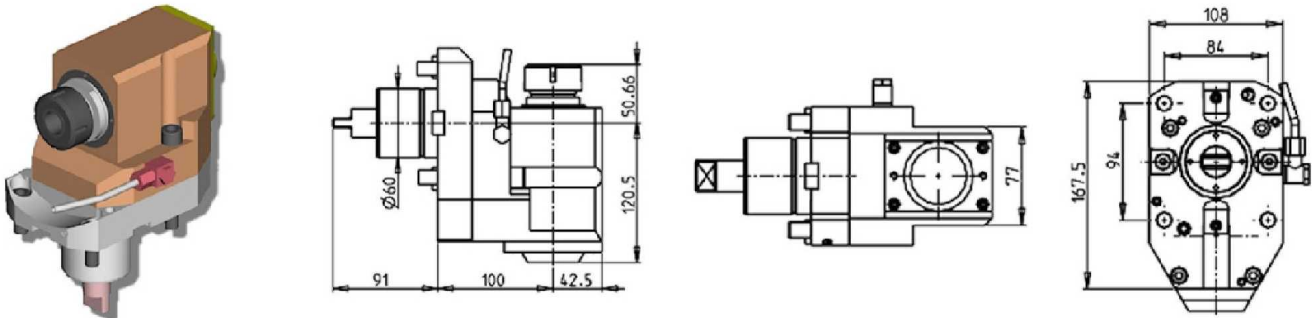
See Accessories for MTSK Quick Change Adaptors



Part Number	Description	Spindle	I	RPM	Reversible	Cool Thru	Ext Cool	B
GDW0490140	Axial MTSK-40 Driven Tool	MTSK-40	1:1	6000	X		X	63
GDW0490240	Axial MTSK-40 Driven Tool Cool Thru	MTSK-40	1:1	6000	X	X	X	76.5
GDW0490150	Axial MTSK-50 Driven Tool	MTSK-50	1:1	6000	X		X	63
GDW0490250	Axial MTSK-50 Driven Tool Cool Thru	MTSK-50	1:1	6000	X	X	X	76.5

* Coolant Thru tools are designed for 1000 psi.
They require 5 Micron Filtration and **CANNOT** be run dry.

AXIAL REAR-SET DRIVEN TOOL



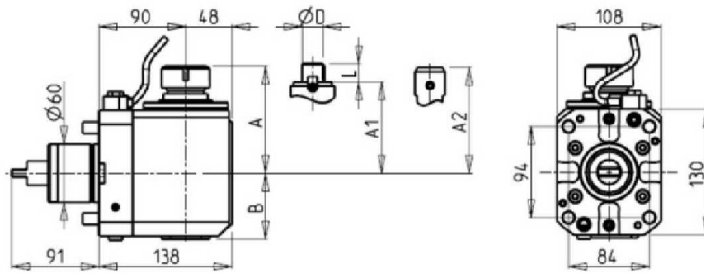
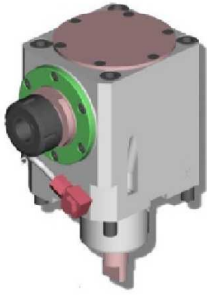
Part Number	Description	Spindle	I	RPM	Reversible	Cool Thru	Ext Cool	A
GDW0170632	Axial Rear-Set ER32	ER32	1:1	6000	X		X	121
GDW0171632	Axial Rear-Set ER32 Cool Thru	ER32	1:1	6000	X	X	X	135

* Coolant Thru tools are designed for 1000 psi.
They require 5 Micron Filtration and **CANNOT** be run dry.

SL3300 S/SY

DRIVEN

AXIAL GEARED-DOWN 2:1 DRIVEN TOOL



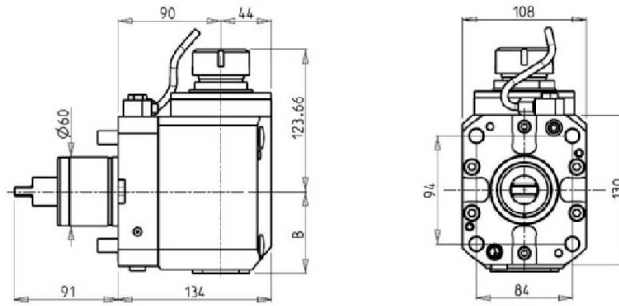
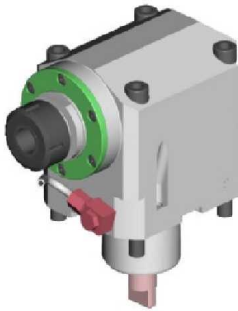
Part Number	Description	Spindle	I	RPM	Reversible	Cool Thru	Ext Cool	A	A1	A2	B	D	L
GDW0180525	Axial Geared-Down ER25	ER25	2:1	3000	X		X	107.5			68		
GDW0181525	Axial Geared-Down ER25 Cool Thru	ER25	2:1	3000	X	X	X	107.5			81.5		
GDW0180532	Axial Geared-Down ER32	ER32	2:1	3000	X		X	110.56			68		
GDW0181532	Axial Geared-Down ER32 Cool Thru	ER32	2:1	3000	X	X	X	110.56			91.5		
GDW0180140	Axial Geared-Down ER40	ER40	2:1	3000	X		X	113.16			68		
GDW0181140	Axial Geared-Down ER40 Cool Thru	ER40	2:1	3000	X	X	X	113.16			91.5		
GDW0182519	Axial Geared-Down 1"x19mm	1"x19	2:1	3000	X		X	87.5			68	1"	19
GDW0181617	Axial Geared-Down 16x17mm	16x17	2:1	3000	X		X	87.5			68	16	17
GDW0182219	Axial Geared-Down 22x19mm	22x19	2:1	3000	X		X	87.5			68	22	19
GDW0182721	Axial Geared-Down 27x21mm	27x21	2:1	3000	X		X	87.5			68	27	21
GDW0180120	Axial Geared-Down Weldon 20	Weldon 20	2:1	3000	X		X			105.5	68		
GDW0180220	Axial Geared-Down Weldon 20 Cool Thru	Weldon 20	2:1	3000	X	X	X			105.5	91.5		
GDW0180125	Axial Geared-Down Weldon 25	Weldon 25	2:1	3000	X		X			115	68		
GDW0180225	Axial Geared-Down Weldon 25 Cool Thru	Weldon 25	2:1	3000	X	X	X			115	91.5		
GDW0180132	Axial Geared-Down Weldon 32	Weldon 32	2:1	3000	X		X			131.5	68		
GDW0180232	Axial Geared-Down Weldon 32 Cool Thru	Weldon 32	2:1	3000	X	X	X			131.5	91.5		

* Coolant Thru tools are designed for 1000 psi.
They require 5 Micron Filtration and **CANNOT** be run dry.

SL3300 S/SY

DRIVEN

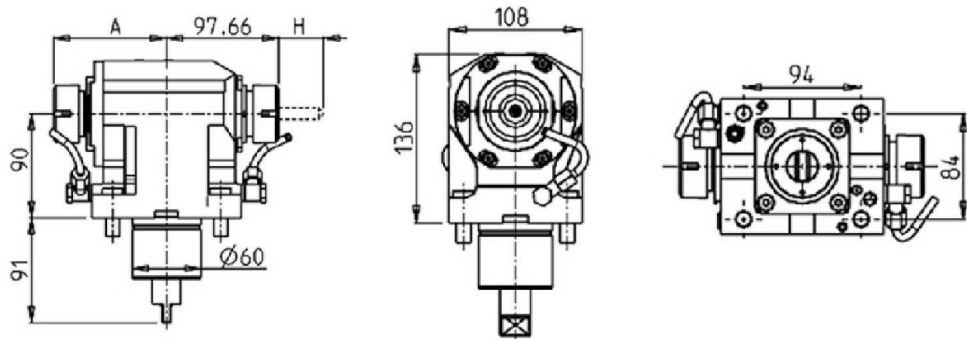
AXIAL GEARED-UP 1:2 DRIVEN TOOL



Part Number	Description	Spindle	I	RPM	Reversible	Cool Thru	Ext Cool	B
GDW0190532	Axial Geared-Up ER32	ER32	1:2	12000	X		X	71
GDW0191532	Axial Geared-Up ER32 Cool Thru	ER32	1:2	12000	X	X	X	94.5

* Coolant Thru tools are designed for 1000 psi.
They require 5 Micron Filtration and **CANNOT** be run dry.

AXIAL OPPOSITE FACE TWIN DRIVEN TOOL

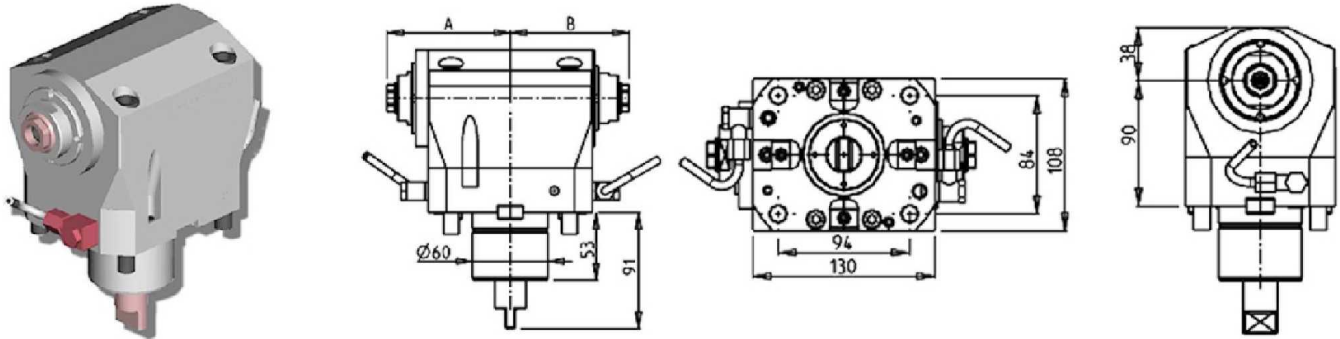


Part Number	Description	Spindle	I	RPM	Reversible	Ext Cool	A
GDW0480232	Axial Opposite Face ER32+ER32	ER32+ER32	1:1	6000	X	X	98.7
GDW0480240	Axial Opposite Face ER40+ER32	ER40+ER32	1:1	6000	X	X	101.7

SL3300 S/SY

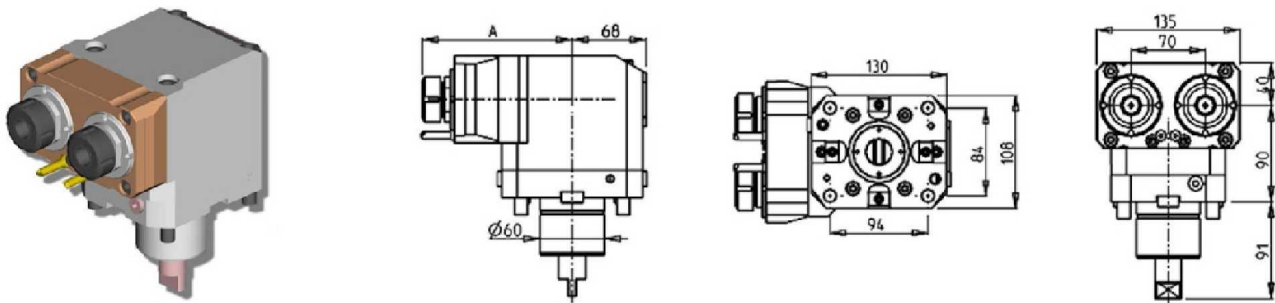
DRIVEN

AXIAL GEARED-UP 1:2 OPPOSITE FACE TWIN DRIVEN TOOL



Part Number	Description	Spindle	I	RPM	Reversible	Ext Cool	A	B
GDW0200116	Axial Geared-Up Opposite Face ERA16+ERA16	ERA16+ERA16	1:2	12000	X	X	97.63	94.13
GDW0200120	Axial Geared-Up Opposite Face ERA20+ERA20	ERA20+ERA20	1:2	12000	X	X	95.73	93.73

AXIAL SINGLE SIDE TWIN HEAD DRIVEN TOOL IN Y



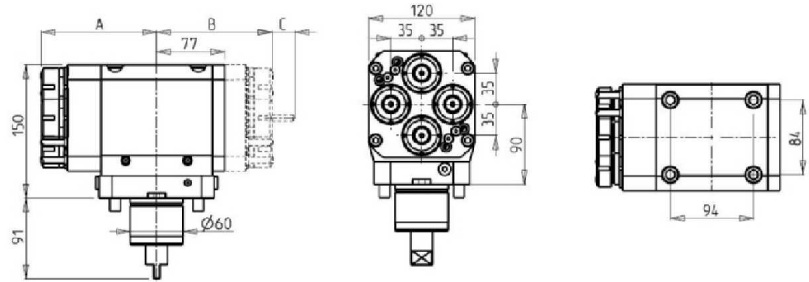
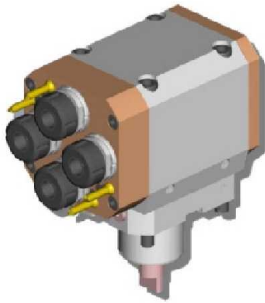
Part Number	Description	Spindle	I	RPM	Reversible	Cool Thru	Ext Cool	A
GDW0210325	Axial Single Side Twin ERA25	ERA25	1:1	6000	X		X	126.5
GDW0211325	Axial Single Side Twin ERA25 Cool Thru	ERA25	1:1	6000	X	X	X	156.03
GDW0210225	Axial Single Side Twin ER25	ER25	1:1	6000	X		X	137.96
GDW0211225	Axial Single Side Twin ER25 Cool Thru	ER25	1:1	6000	X	X	X	162.66

* Coolant Thru tools are designed for 1000 psi.
They require 5 Micron Filtration and **CANNOT** be run dry.

SL3300 S/SY

DRIVEN

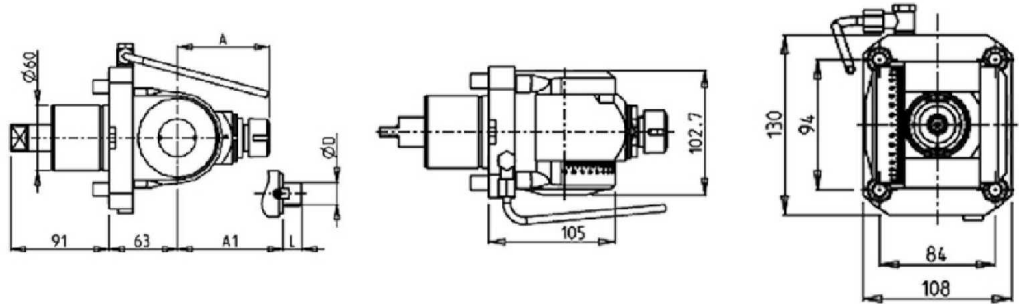
AXIAL MULTIPLE 4/8 OUTLET DRIVEN TOOL



Part Number	Description	Spindle	I	RPM	# of Tools	Reversible	Ext Cool	A	B
GDW0220425	Axial Multiple 4/8 Outlet ER25	ER25	1:1	6000	4	X	X	130.46	
GDW0224425	Axial Multiple 4/8 Outlet ER25+ER25	ER25+ER25	1:1	6000	4+4		X	130.46	130.46

Note : Wrenches are provided with the purchase of Specialty Toolholders

(0-180) ADJUSTABLE ANGLE DRIVEN TOOL



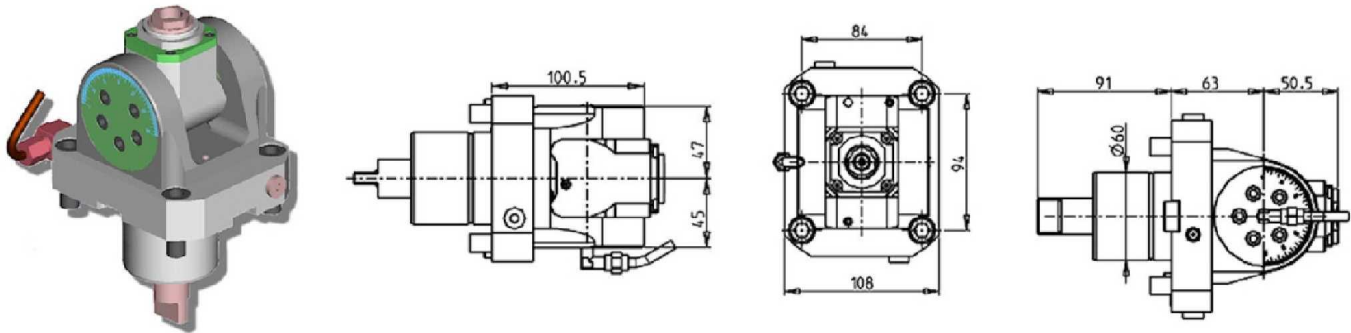
Part Number	Description	Spindle	I	RPM	Reversible	Ext Cool	A	A1	D	L
GDW0470120	(0-180) Adj. Angle ER20	ER20	1:1	6000	X	X	85.16			
GDW0470125	(0-180) Adj. Angle ER25	ER25	1:1	6000	X	X	86.16			
GDW0470519	(0-180) Adj. Angle 3/4"x3/4"	3/4"x3/4"	1:1	6000	X	X	65	3/4"	3/4"	
GDW0470516	(0-180) Adj. Angle 16x17mm	16x17	1:1	6000	X	X	65	16	17	
GDW0470522	(0-180) Adj. Angle 22x19mm	22x19	1:1	6000	X	X	66	22	19	

Note : Wrenches are provided with the purchase of Specialty Toolholders

SL3300 S/SY

DRIVEN

(0-180) ADJUSTABLE ANGLE DRIVEN TOOL



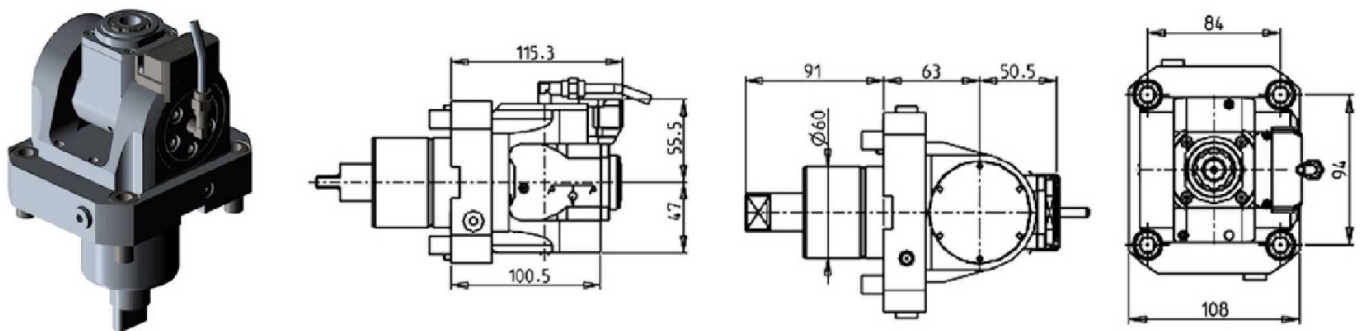
Part Number	Description	Spindle	I	RPM	Cool Thru	Ext Cool
GDW0440120	(0-180) Adj. Angle ERA20	ERA20	1:1	6000		X
GDW0440220	(0-180) Adj. Angle ERA20 Cool Thru	ERA20	1:1	6000	X	X

* Coolant Thru tools are designed for 1000 psi.
They require 5 Micron Filtration and **CANNOT** be run dry.

Note :

Wrenches are provided with the purchase of Specialty Toolholders

(0-180) ADJUSTABLE ANGLE DRIVEN TOOL WITH DIGITAL DISPLAY



Part Number	Description	Spindle	I	RPM	Cool Thru	Ext Cool
GDW0445120	(0-180) Adj. Angle ERA20 with Digital Display	ERA20	1:1	6000		X
GDW0445220	(0-180) Adj. Angle ERA20 with Digital Display Cool Thru	ERA20	1:1	6000	X	X

* Coolant Thru tools are designed for 1000 psi.
They require 5 Micron Filtration and **CANNOT** be run dry.

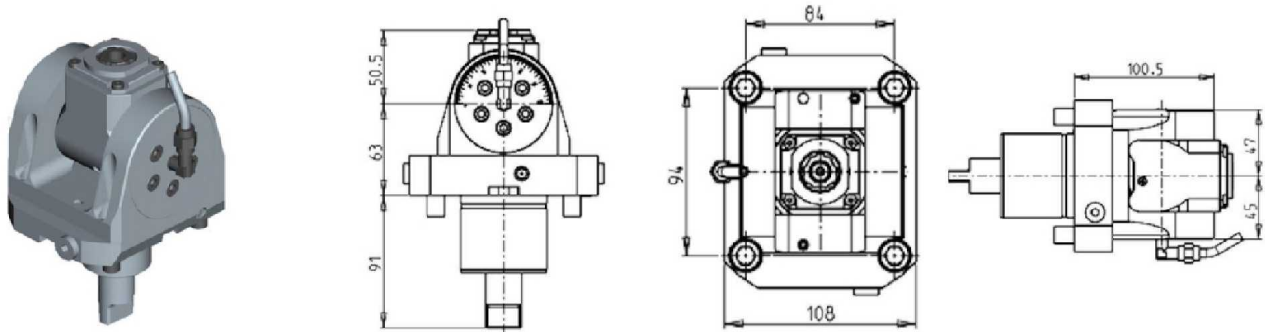
Note :

Wrenches are provided with the purchase of Specialty Toolholders

SL3300 S/SY

DRIVEN

(0-180) ADJUSTABLE ANGLE DRIVEN TOOL GEARED-UP 1:2



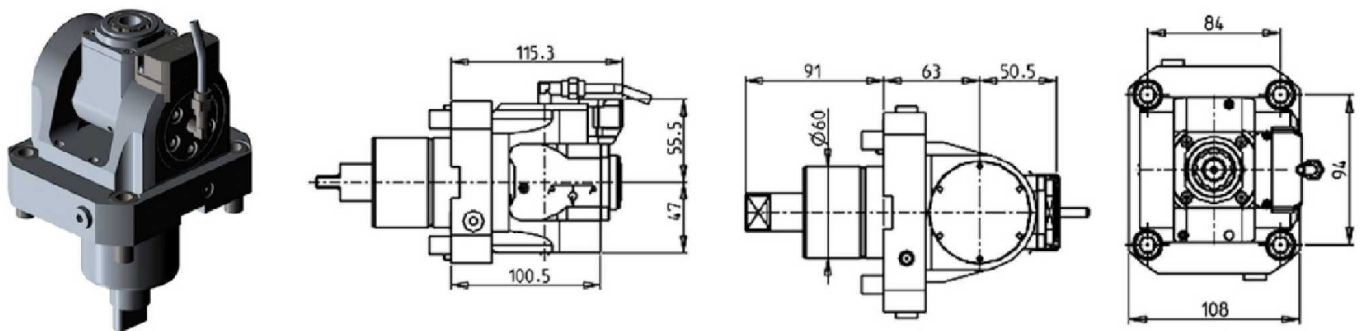
Part Number	Description	Spindle	I	RPM	Cool Thru	Ext Cool
GDW0440316	(0-180) Adj. Angle Geared-Up ERA16	ERA16	1:2	12000		X
GDW0440416	(0-180) Adj. Angle Geared-Up ERA16 Cool Thru	ERA16	1:2	12000	X	X

* Coolant Thru tools are designed for 1000 psi.
They require 5 Micron Filtration and **CANNOT** be run dry.

Note :

Wrenches are provided with the purchase of Specialty Toolholders

(0-180) ADJUSTABLE ANGLE DRIVEN TOOL GEARED-UP 1:2 WITH DIGITAL DISPLAY



Part Number	Description	Spindle	I	RPM	Cool Thru	Ext Cool
GDW0445316	(0-180) Adj. Angle Geared-Up ERA16 with Digital Display	ERA16	1:2	12000		X
GDW0445416	(0-180) Adj. Angle Geared-Up ERA16 with Digital Display Cool Thru	ERA16	1:2	12000	X	X

* Coolant Thru tools are designed for 1000 psi.
They require 5 Micron Filtration and **CANNOT** be run dry.

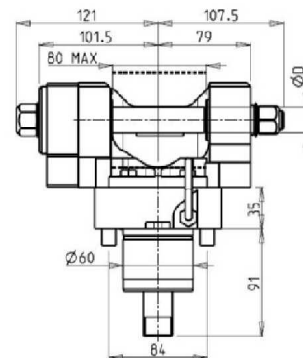
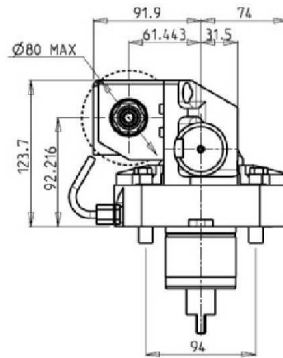
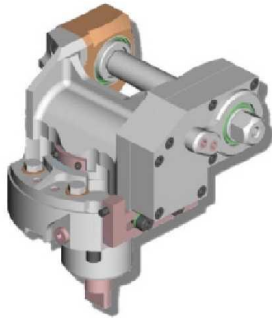
Note :

Wrenches are provided with the purchase of Specialty Toolholders

SL3300 S/SY

DRIVEN

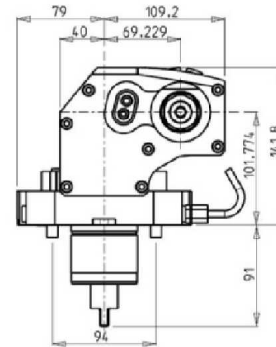
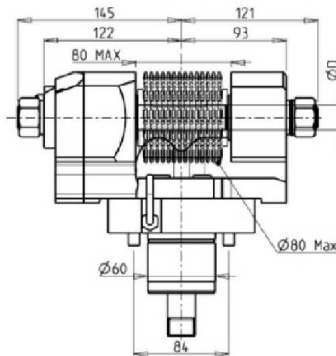
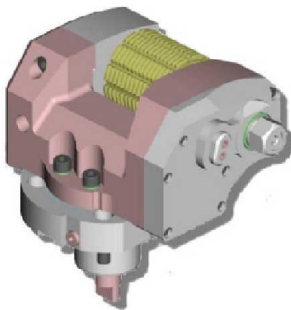
DRIVEN GEAR HOBBER



Part Number	Description	I	MAX RPM	Reversible	Ext Cool	D (Inch)	D (mm)
GDW0231100	Driven Gear Hobb 1:1	1:1	6000	X	X	3/4"-1"-1-1/4"	16-22-27-32
GDW0232100	Driven Gear Hobb 2:1 Geared-Down	2:1	3000	X	X	3/4"-1"-1-1/4"	16-22-27-32

Note : Wrenches are provided with the purchase of Specialty Toolholders

REINFORCED DRIVEN GEAR HOBBER



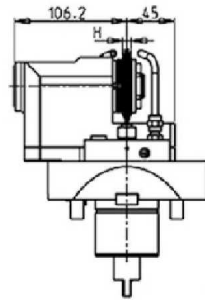
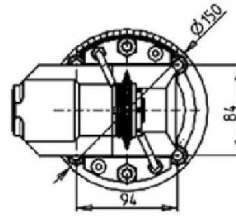
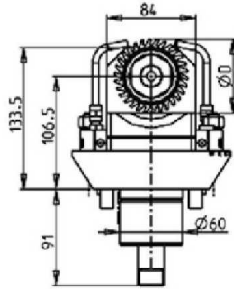
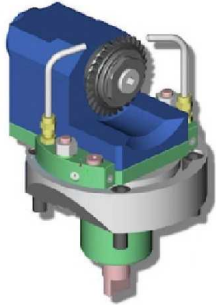
Part Number	Description	I	MAX RPM	Reversible	Ext Cool	D (Inch)	D (mm)
GDW0241100	Reinforced Gear Hobb 1:1	1:1	6000	X	X	3/4"-1"-1-1/4"	16-22-27-32
GDW0242100	Reinforced Gear Hobb 2:1 Geared-Down	2:1	3000	X	X	3/4"-1"-1-1/4"	16-22-27-32

Note : Wrenches are provided with the purchase of Specialty Toolholders

SL3300 S/SY

DRIVEN

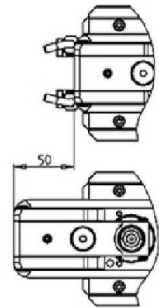
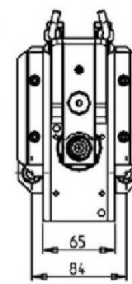
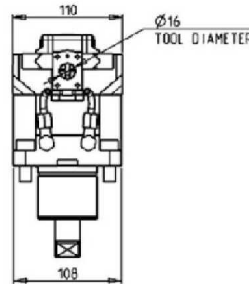
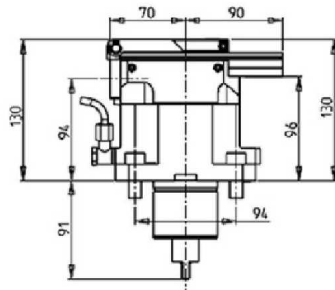
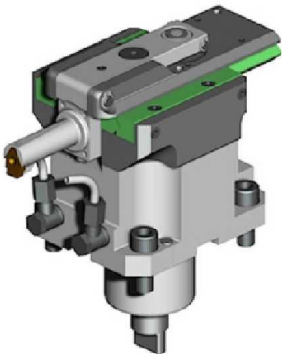
DRIVEN TOOL FOR WORM SCREWS



Part Number	Description	Spindle	I	RPM	Reversible	Ext Cool	D	H
GDW0258125	Worm Gear Driven Tool 1"x12mm	1"x12	1:1	6000	X	X	63-70-80	MAX 12
GDW0258022	Worm Gear Driven Tool 22x12mm	22x12	1:1	6000	X	X	63-70-80	MAX 12

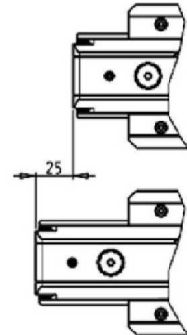
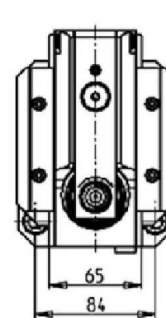
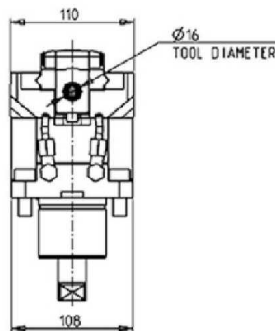
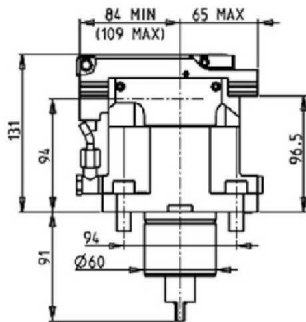
Note : Wrenches are provided with the purchase of Specialty Toolholders

BROACHING/SLOTTING DRIVEN TOOL 50mm STROKE H=94mm



Part Number	Description	I	MAX RPM	Reversible	Ext Cool
GDW0510100	Broaching/Slotting Driven Tool 50mm Stroke	4:1	2000	X	X

BROACHING/SLOTTING DRIVEN TOOL 25mm STROKE H=94mm

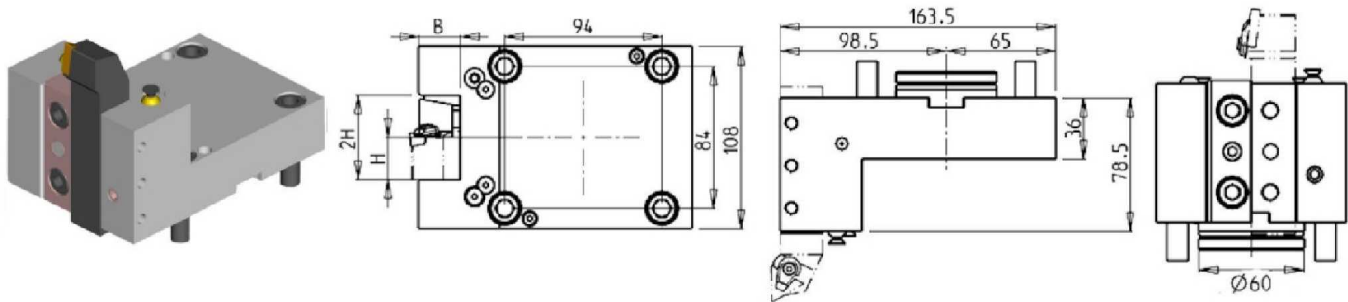


Part Number	Description	I	MAX RPM	Reversible	Ext Cool
GDW0510200	Broaching/Slotting Driven Tool 25mm Stroke	4:1	2400	X	X

SL3300 S/SY

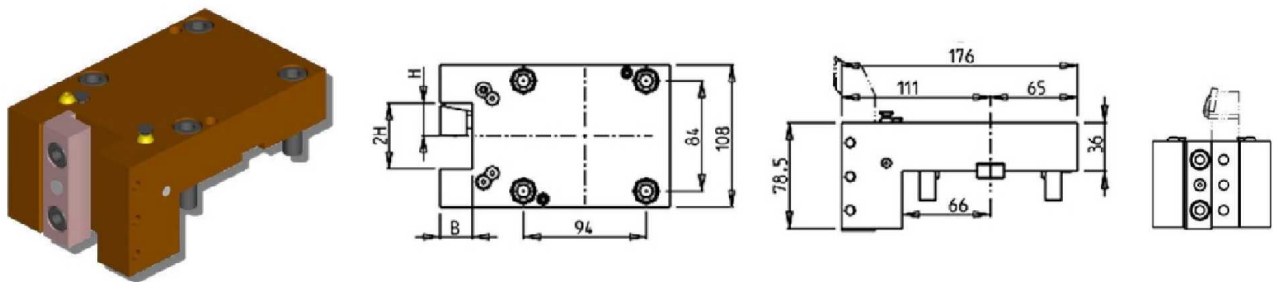
STATIC

RADIAL SINGLE STATIC TOOL



Part Number	Description	# of Tools	Reversible	Dimensions	B	H
GDW0072540	Radial Single Static Tool 1"	1/2	X	Inch	1"	1"
GDW0072500	Radial Single Static Tool 25mm	1/2	X	mm	25	25

RADIAL REAR-SET SINGLE STATIC TOOL

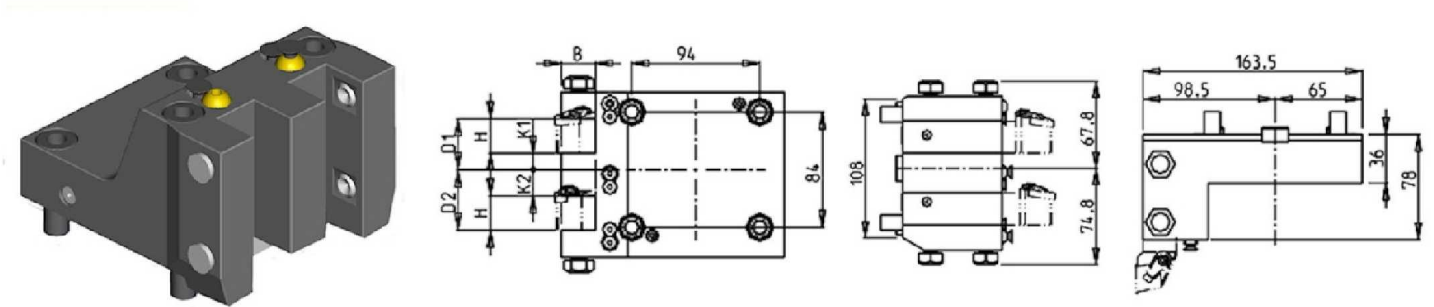


Part Number	Description	# of Tools	Dimensions	B	H
GDW0262540	Radial Rear Set Single Static Tool 1"	1/2	Inch	1"	1"
GDW0262500	Radial Rear Set Single Static Tool 25mm	1/2	mm	25	25

SL3300 S/SY

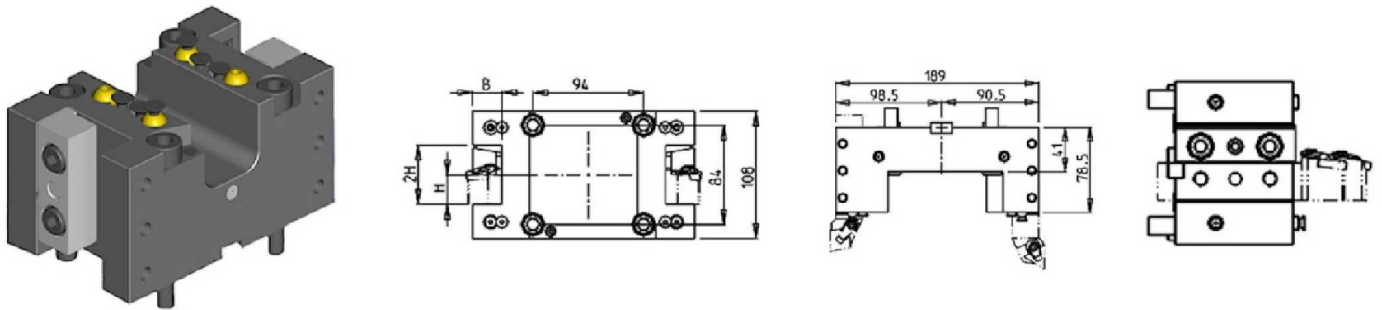
STATIC

RADIAL SINGLE SIDE TWIN STATIC TOOL



Part Number	Description	# of Tools	Reversible	Dimensions	H	B	K1	K2	D1	D2
GDW0092540	Radial Single Side Twin 1"	2	X	Inch	1"	1"	1/2"	3/4"	1-1/2"	1-3/4"
GDW0092500	Radial Single Side Twin 25mm	2	X	mm	25	25	12	19	37	44

RADIAL DOUBLE STATIC TOOL

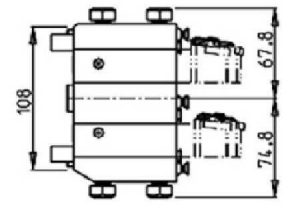
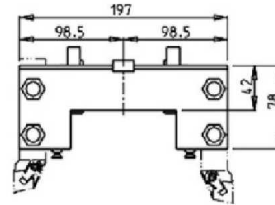
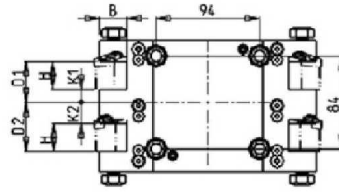
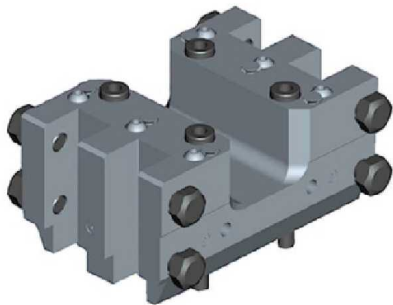


Part Number	Description	# of Tools	Reversible	Dimensions	B	H
GDW0082540	Radial Double Static Tool 1"	2/4	X	Inch	1"	1"
GDW0082500	Radial Double Static Tool 25mm	2/4	X	mm	25	25

SL3300 S/SY

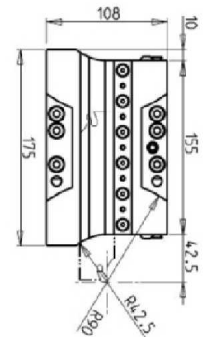
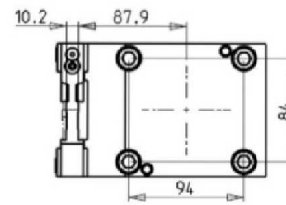
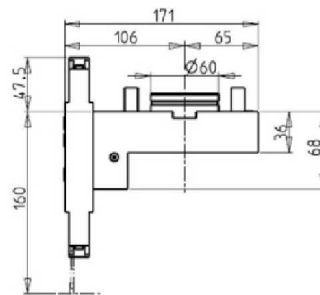
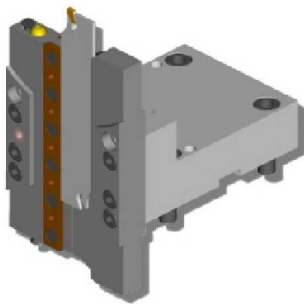
STATIC

RADIAL DOUBLE SIDE TWIN STATIC TOOL



Part Number	Description	# of Tools	Reversible	Dimensions	H	B	K1	K2	D1	D2
GDW0102540	Radial Double Side Twin Static Tool 1"	4	X	Inch	1"	1"	1/2"	3/4"	1-1/2"	1-3/4"
GDW0102500	Radial Double Side Twin Static Tool 25mm	4	X	mm	25	25	12	19	37	44

RADIAL DOUBLE BLADE HOLDER WITH BLADE KIT

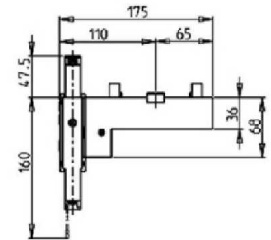
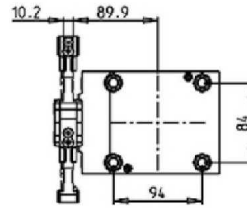
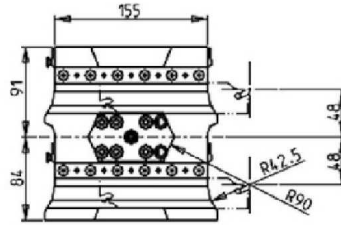
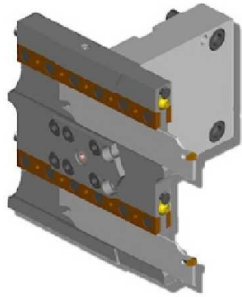


Part Number	Description	# of Tools
GDW0130132	Radial Double Blade Holder with Blade Kit	1
BLADEKIT	Blade Kit: 1 Blade, 10 Inserts	

SL3300 S/SY

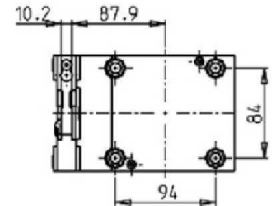
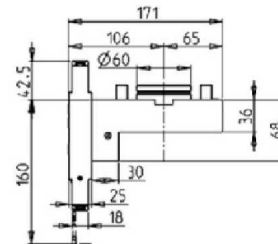
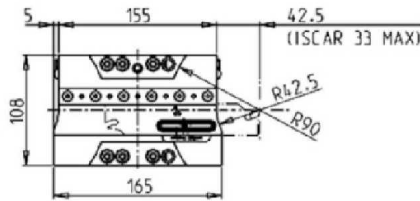
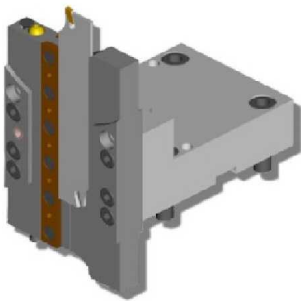
STATIC

RADIAL DOUBLE TWIN-SIDE BLADE HOLDER WITH BLADE KIT



Part Number	Description	# of Tools
GDW0270232	Radial Double Twin-Side Blade Holder with Blade Kit	2
BLADEKIT	Blade Kit: 1 Blade, 10 Inserts	

RADIAL DOUBLE BLADE HOLDER WITH INTERNAL COOLANT - BLADE KIT NOT INCLUDED

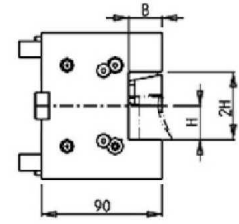
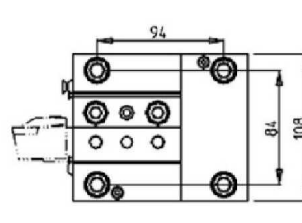
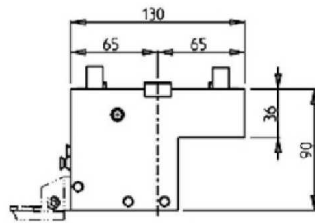
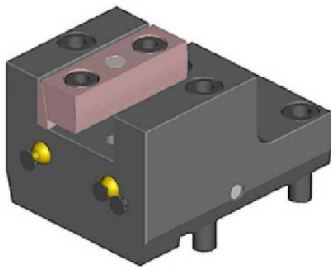


Part Number	Description	# of Tools	Ext Cool	Cool Thru
GDW0460132	Radial Double Blade Holder Cool Thru	1	X	X
COOL THRU BLADEKIT	Blade Kit: 1 Blade, 10 Inserts			

SL3300 S/SY

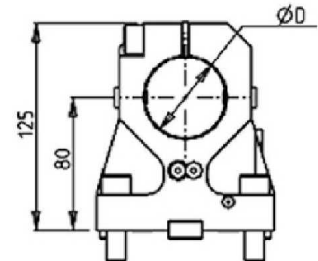
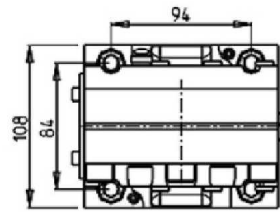
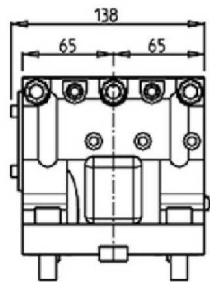
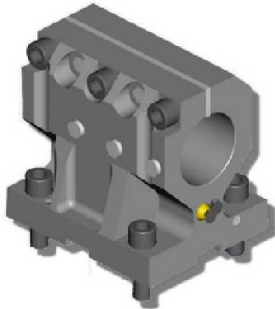
STATIC

AXIAL SINGLE STATIC TOOL



Part Number	Description	# of Tools	Reversible	Dimensions	B	H
GDW0112540	Axial Single Static Tool 1"	1/2	X	Inch	1"	1"
GDW0112500	Axial Single Static Tool 25mm	1/2	X	mm	25	25

AXIAL SINGLE BORING BAR HOLDER 2" H=80mm

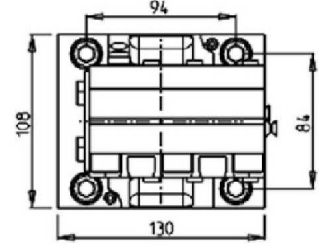
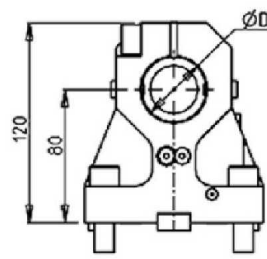
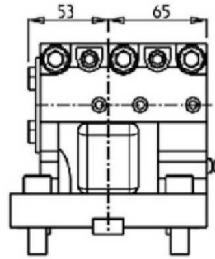
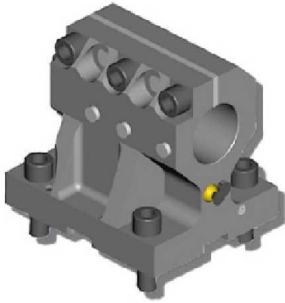


Part Number	Description	# of Tools	Reversible	Cool Thru	Ext Cool	Dimensions	D
GDW0125080	Axial Single BBH 2"	1	X	X	X	Inch	2"
GDW0125000	Axial Single BBH 50mm	1	X	X	X	mm	50
KIT 1001002	Plug & Seal Kit for 50mm or 2" BBH to Make Cool Thru						

SL3300 S/SY

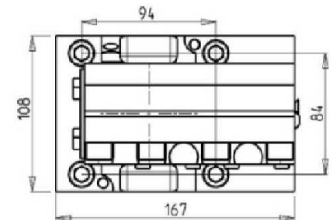
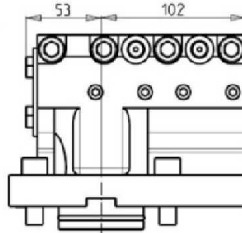
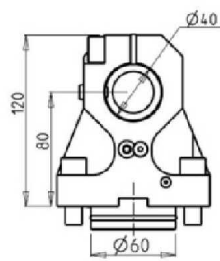
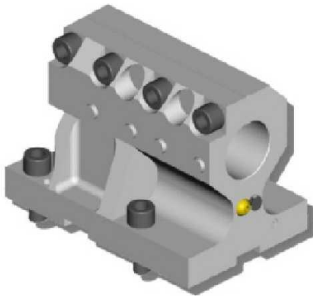
STATIC

AXIAL SINGLE BORING BAR HOLDER 1-1/2" H=80mm



Part Number	Description	# of Tools	Reversible	Cool Thru	Ext Cool	Dimensions	D
GDW0123810	Axial Single BBH 1-1/2"	1	X	X	X	Inch	1-1/2"
GDW0124000	Axial Single BBH 40mm	1	X	X	X	mm	40
KIT 1003004	Plug & Seal Kit for 1 1/2" BBH to Make Cool Thru						
KIT 1003003	Plug & Seal Kit for 40mm BBH to Make Cool Thru						

AXIAL SINGLE EXTENDED BORING BAR HOLDER 40mm H=80mm

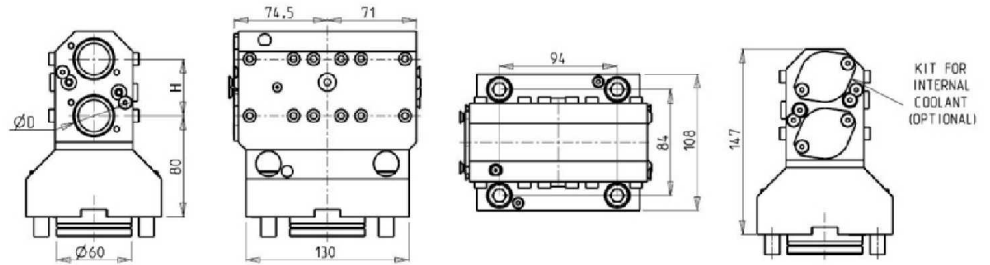
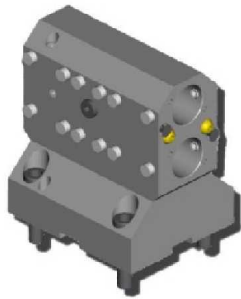


Part Number	Description	# of Tools	Reversible	Cool Thru	Ext Cool
GDW0284000	Axial Single Extended BBH 40mm	1	X	X	X
KIT 1002003	Plug & Seal Kit for 40mm BBH to Make Cool Thru				

SL3300 S/SY

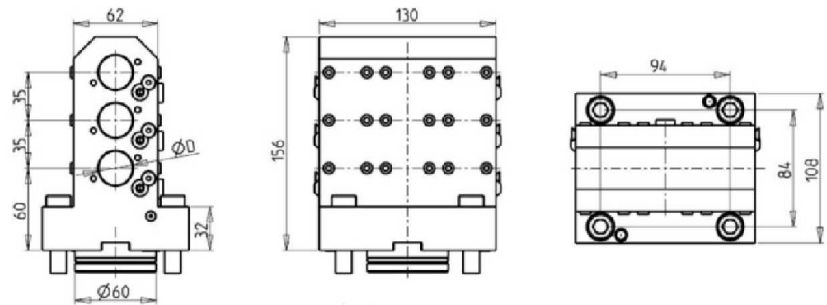
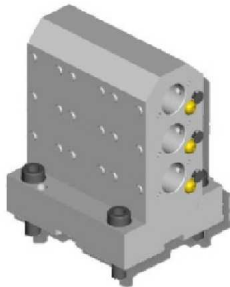
STATIC

AXIAL 2+2 POSITION UPRIGHT BORING BAR HOLDER 1-1/4"



Part Number	Description	# of Tools	Cool Thru	Ext Cool	Dimensions	D	H
GDW0293175	Axial 2+2 Upright BBH 1-1/4"	2+2	X	X	Inch	1-1/4"	1-1/4"
GDW0293200	Axial 2+2 Upright BBH 32mm	2+2	X	X	mm	32	45
KIT 1000001	Plug for 32mm or 1 1/4" BBH to Make Cool Thru						

AXIAL 3+3 POSITION UPRIGHT BORING BAR HOLDER 1"

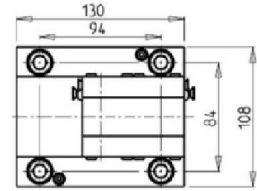
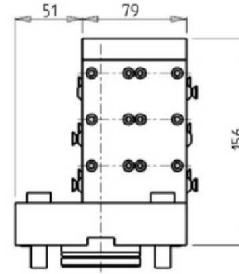
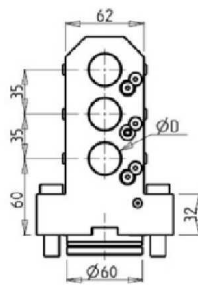
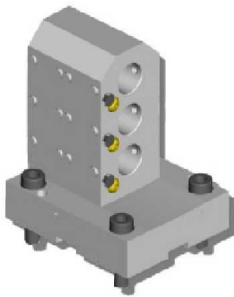


Part Number	Description	# of Tools	Cool Thru	Ext Cool	D
GDW0302540	Axial 3+3 Upright BBH 1"	3+3	X	X	1"
GDW0302500	Axial 3+3 Upright BBH 25mm	3+3	X	X	25
KIT 1000006	Plug for 25mm or 1" BBH to Make Cool Thru				

SL3300 S/SY

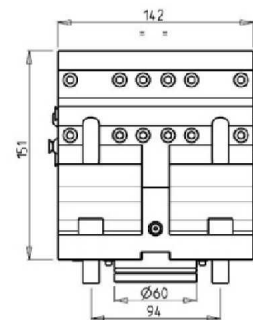
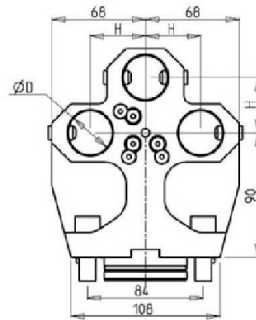
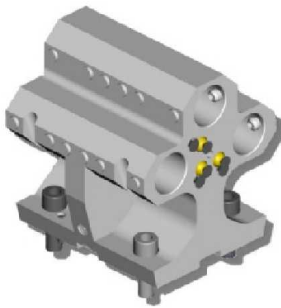
STATIC

AXIAL 3 POSITION UPRIGHT REAR SET BORING BAR HOLDER 1"



Part Number	Description	# of Tools	Reversible	Ext Cool	D
GDW0312540	Axial 3 Position Upright Rear Set BBH 1"	3	X	X	1"
GDW0312500	Axial 3 Position Upright Rear Set BBH 25mm	3	X	X	25

AXIAL 3+3 POSITION BORING BAR HOLDER 1-1/4"

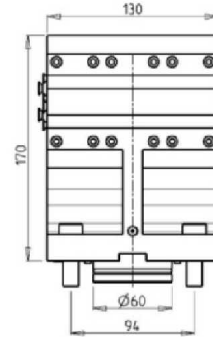
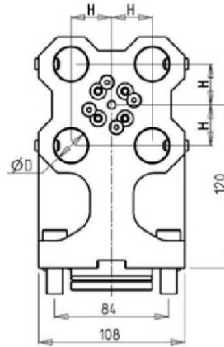
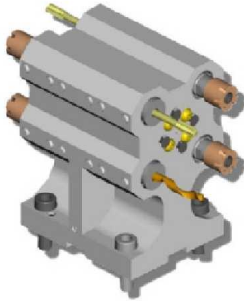


Part Number	Description	# of Tools	Cool Thru	Ext Cool	Dimensions	D	H
GDW0323175	Axial 3+3 BBH 1-1/4"	3+3	X	X	Inch	1-1/4"	1-1/2"
GDW0323200	Axial 3+3 BBH 32mm	3+3	X	X	mm	32	40

SL3300 S/SY

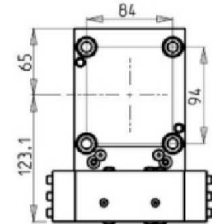
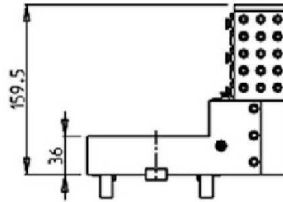
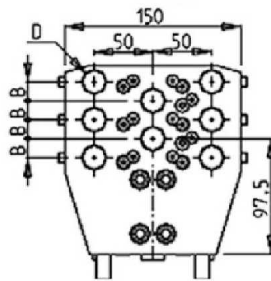
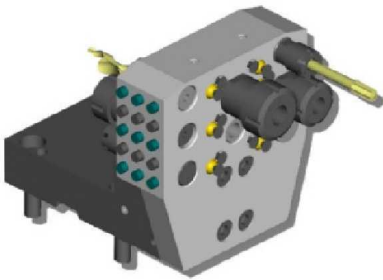
STATIC

AXIAL 4+4 POSITION BORING BAR HOLDER 1"



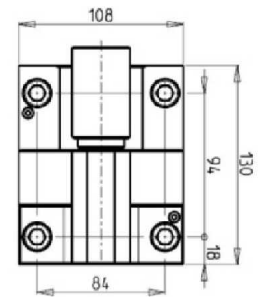
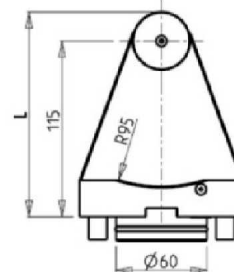
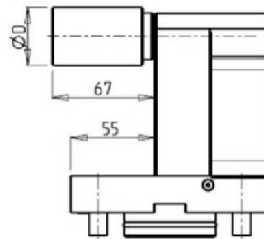
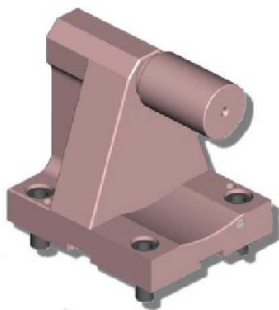
Part Number	Description	# of Tools	Ext Cool	Dimensions	D	H
GDW0332540	Axial 4+4 BBH 1"	4+4	X	Inch	1"	1-1/4"
GDW0332500	Axial 4+4 BBH 25mm	4+4	X	mm	25	30

AXIAL 8 POSITION BORING BAR HOLDER 3/4"



Part Number	Description	# of Tools	Reversible	Ext Cool	Dimensions	D	B	H
GDW0341905	Axial 8 Position BBH 3/4"	8	X	X	Inch	3/4"	5/8"	2"
GDW0342000	Axial 8 Position BBH 20mm	8	X	X	mm	20	16	50

TAILSTOCK FOR SUBSPINDLE

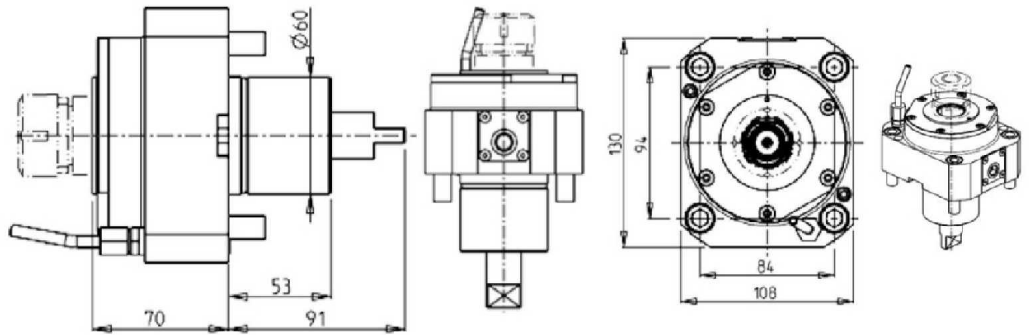
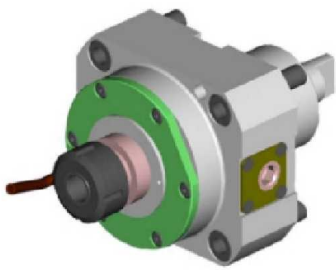


Part Number	Description	# of Tools	D	L
GDW0350100L	Tailstock for Subspindle 2"	1	2"	140.4
GDW0350100	Tailstock for Subspindle 38mm	1	38	134

SL3300 S/SY

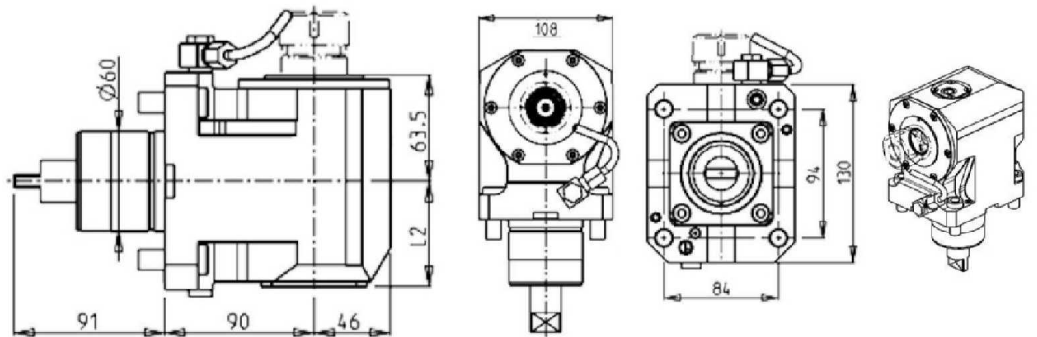
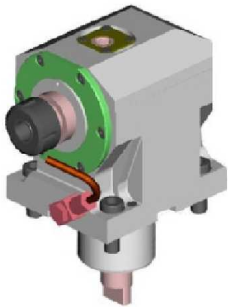
CAPTO

RADIAL DRIVEN TOOL COROMANT CAPTO



Part Number	Description	Size	I	RPM	Ext Cool
GDW0370140	Radial Driven Capto C4	C4	1:1	6000	X
GDW0370150	Radial Driven Capto C5	C5	1:1	6000	X

AXIAL DRIVEN TOOL COROMANT CAPTO



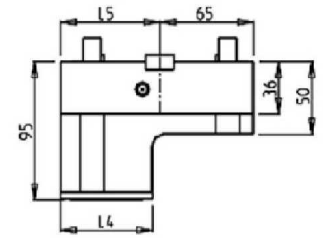
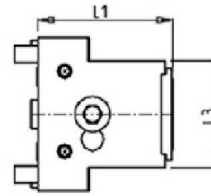
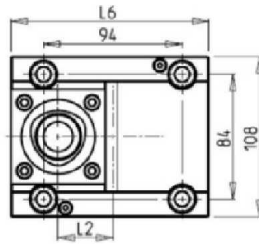
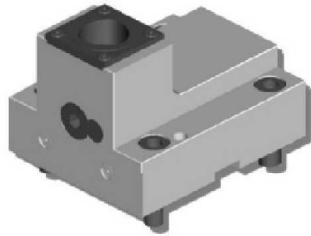
Part Number	Description	Size	I	RPM	Reversible	Cool Thru	Ext Cool	L2
GDW0360140	Axial Driven Capto C4	C4	1:1	6000	X		X	63
GDW0360240	Axial Driven Capto C4 Cool Thru	C4	1:1	6000	X	X	X	75.5
GDW0360150	Axial Driven Capto C5	C5	1:1	6000	X		X	63
GDW0360250	Axial Driven Capto C5 Cool Thru	C5	1:1	6000	X	X	X	75.5

* Coolant Thru tools are designed for 1000 psi.
They require 5 Micron Filtration and **CANNOT** be run dry.

SL3300 S/SY

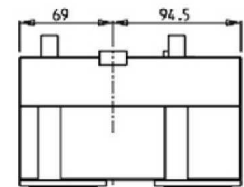
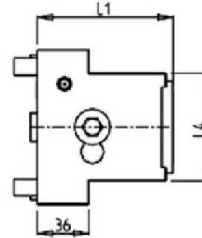
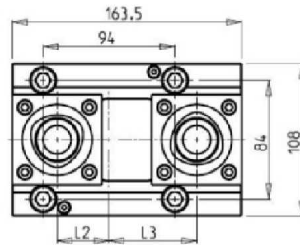
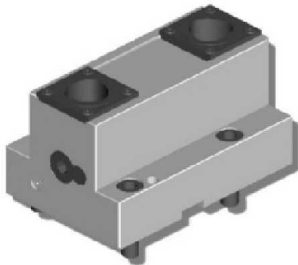
CAPTO

RADIAL SINGLE STATIC TOOL COROMANT CAPTO



Part Number	Description	Size	# of Tools	Cool Thru	Reversible	L1	L2	L3	L4	L5	L6
GDW0384010	Radial Single Static Capto C4 Right Hand	C4	1	X	X	90	45	63	48	69	134
GDW0384010LC	Radial Single Static Capto C4 Left Hand	C4	1	X	X	90	45	63	48	69	134
GDW0385010	Radial Single Static Capto C5 Right Hand	C5	1	X	X	95	37	75	64	69	134
GDW0385010LC	Radial Single Static Capto C5 Left Hand	C5	1	X	X	95	37	75	64	69	134
GDW0385015	Radial Single Static Capto C5 Right Hand	C5	1	X	X	95	62.5	75	64	94.5	159.5
GDW0385015LC	Radial Single Static Capto C5 Left Hand	C5	1	X	X	95	62.5	75	64	94.5	159.5

RADIAL DOUBLE STATIC TOOL COROMANT CAPTO

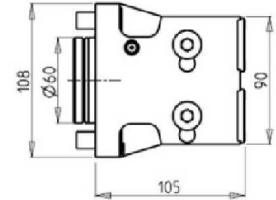
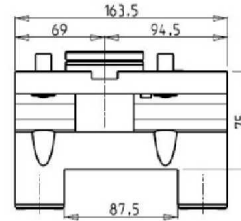
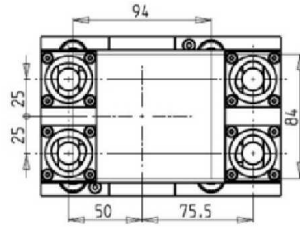
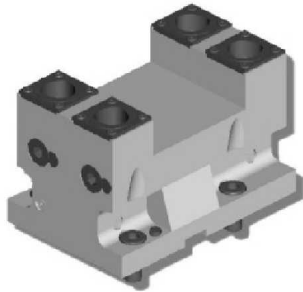


Part Number	Description	Size	# of Tools	Cool Thru	L1	L2	L3	L4
GDW0394020	Radial Double Static Capto C4 Right Hand	C4	2	X	90	45	70.5	63
GDW0394020LC	Radial Double Static Capto C4 Left Hand	C4	2	X	90	45	70.5	63
GDW0395020	Radial Double Static Capto C5 Right Hand	C5	2	X	95	37	62.5	75
GDW0395020LC	Radial Double Static Capto C5 Left Hand	C5	2	X	95	37	62.5	75

SL3300 S/SY

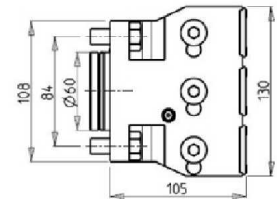
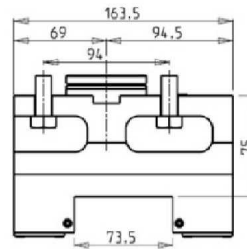
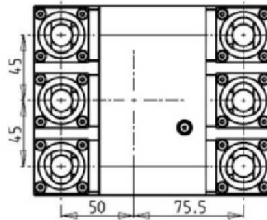
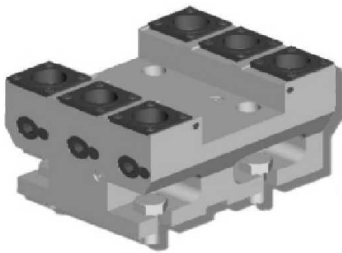
CAPTO

RADIAL DOUBLE 2+2 UPRIGHT POSITION STATIC TOOL COROMANT CAPTO



Part Number	Description	Size	# of Tools	Cool Thru
GDW0403240	Radial 2+2 Upright Static Capto C3 Right Hand	C3	4	X
GDW0403240LC	Radial 2+2 Upright Static Capto C3 Left Hand	C3	4	X

RADIAL DOUBLE 3+3 UPRIGHT POSITION STATIC TOOL COROMANT CAPTO

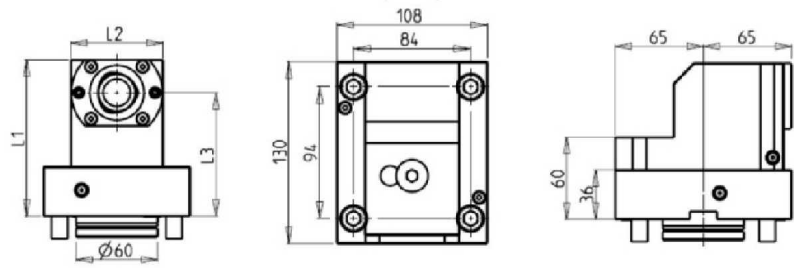
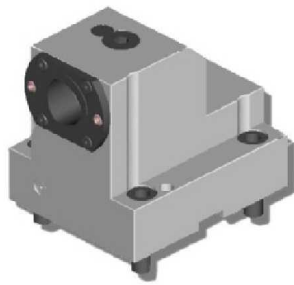


Part Number	Description	Size	# of Tools	Cool Thru
GDW0403260	Radial 3+3 Upright Static Capto C3 Right Hand	C3	6	X
GDW0403260LC	Radial 3+3 Upright Static Capto C3 Left Hand	C3	6	X

SL3300 S/SY

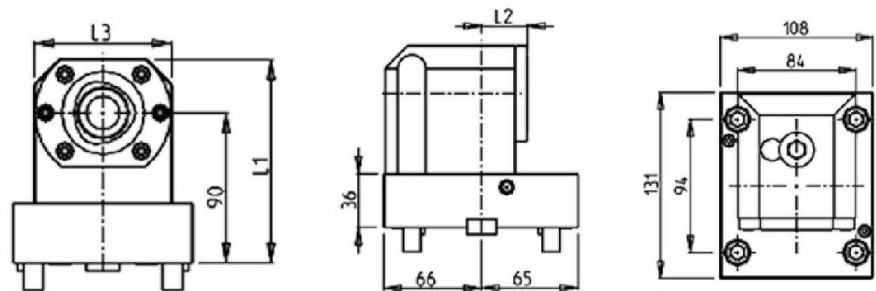
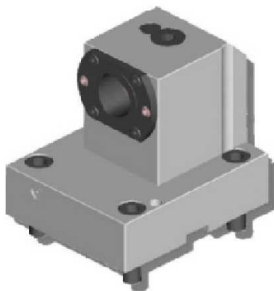
CAPTO

AXIAL SINGLE STATIC TOOL COROMANT CAPTO



Part Number	Description	Size	# of Tools	Cool Thru	Reversible	L1	L2	L3
GDW0414010	Axial Single Static Capto C4 Right Hand	C4	1	X	X	114	68	90
GDW0414010LC	Axial Single Static Capto C4 Left Hand	C4	1	X	X	114	68	90
GDW0415010	Axial Single Static Capto C5 Right Hand	C5	1	X	X	122	83	90
GDW0415010LC	Axial Single Static Capto C5 Left Hand	C5	1	X	X	122	83	90
GDW0415015	Axial Single Static Capto C5 Right Hand	C5	1	X	X	152	83	120
GDW0415015LC	Axial Single Static Capto C5 Left Hand	C5	1	X	X	152	83	120
GDW0416010	Axial Single Static Capto C6 Right Hand	C6	1	X	X	132	108	90
GDW0416010LC	Axial Single Static Capto C6 Left Hand	C6	1	X	X	132	108	90

AXIAL REAR-SET SINGLE STATIC TOOL COROMANT CAPTO

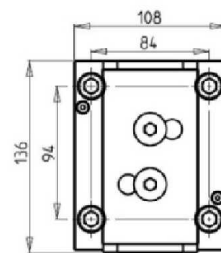
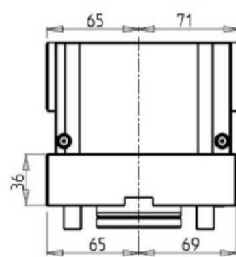
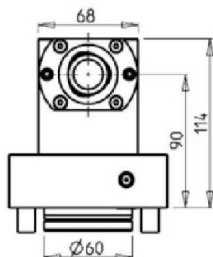
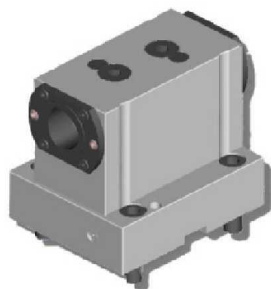


Part Number	Description	Size	# of Tools	Cool Thru	Reversible	L1	L2	L3
GDW0434010	Axial Rear Set Static Capto C4 Right Hand	C4	1	X	X	114	21	68
GDW0434010LC	Axial Rear Set Static Capto C4 Left Hand	C4	1	X	X	114	21	68
GDW0435010	Axial Rear Set Static Capto C5 Right Hand	C5	1	X	X	122	31	83
GDW0435010LC	Axial Rear Set Static Capto C5 Left Hand	C5	1	X	X	122	31	83

SL3300 S/SY

CAPTO

AXIAL OPPOSITE FACE TWIN STATIC TOOL COROMANT CAPTO

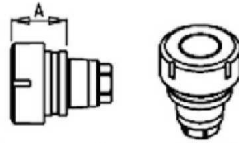


Part Number	Description	Size	# of Tools	Cool Thru	Reversible
GDW0424020	Axial Opposite Face Twin Static Capto C4 Right Hand	C4	1+1	X	X
GDW0424020LC	Axial Opposite Face Twin Static Capto C4 Left Hand	C4	1+1	X	X

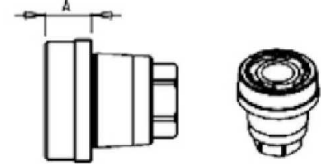
ACCESSORIES

DRIVEN

MTSK-40 ER ADAPTORS



Cod. MT	Mandrino Spindle	A
MTSK40A02	ER32	35.6
MTSK40A03	ER25	32.6
MTSK40A05	ER16	30.26
MTSK40A06	ER16	47.5
MTSK40A07	ER16	59
MTSK40A08	ER11	40
MTSK40A09	ER11	70



Cod. MT	Mandrino Spindle	A
MTSK40B02	ERA25	16
MTSK40B03	ERA20	14

Part Number	Description	Spindle	A
MTSK40A08	MTSK-40 Adaptor ER11	ER11	40
MTSK40A09	MTSK-40 Adaptor ER11	ER11	70
MTSK40A05	MTSK-40 Adaptor ER16	ER16	30.26
MTSK40A06	MTSK-40 Adaptor ER16	ER16	47.5
MTSK40A07	MTSK-40 Adaptor ER16	ER16	59
MTSK40B03	MTSK-40 Adaptor ERA20	ERA20	14
MTSK40A03	MTSK-40 Adaptor ER25	ER25	32.6
MTSK40B02	MTSK-40 Adaptor ERA25	ERA25	16
MTSK40A02	MTSK-40 Adaptor ER32	ER32	35.6

ACCESSORIES

DRIVEN

MTSK-40 MILL ADAPTORS



Cod. MT	Manchine Spindle	A
MTSK40D01	WELDON 6	8
MTSK40D21	WELDON 6	27.5
MTSK40D02	WELDON 8	8
MTSK40D03	WELDON 10	9
MTSK40D04	WELDON 12	14
MTSK40D05	WELDON 16	39.5
MTSK40D07	WELDON 20	39.5
MTSK40D24	WELDON 10	33
MTSK40D25	WELDON 12	35.5

Cod. MT	Manchine Spindle	A
MTSK40G03	MR25	33.6

Cod. MT	Manchine Spindle	Altura	A	D	L
MTSK40C03	Ø16x17	inch	15	16	17
MTSK40C04	Ø22x19	inch	17	22	19
MTSK40C05	Ø27x21	inch	22	27	21

Cod. MT	Manchine Spindle	A
MTSK40D11	WELDON 1/4"	8
MTSK40D12	WELDON 5/16"	8
MTSK40D13	WELDON 3/8"	9
MTSK40D14	WELDON 1/2"	14

Cod. MT	Manchine Spindle	A
MTSK40H01	MORSE-1	29
MTSK40H02	MORSE-2	42

Cod. MT	Manchine Spindle	Altura	A	D	L
MTSK40T00	Ø 1/2"	inch	32	1/2"	6.5

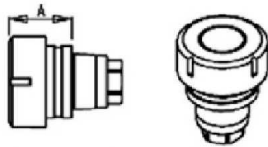
Cod. MT	Manchine Spindle	A
MTSK40T00	MORSE-2	42

Part Number	Description	Spindle	Dimension	A	D	L
MTSK40C03	MTSK-40 Adaptor Mill 3/4"	3/4"x3/4"	Inch	15.5	3/4"	3/4"
MTSK40C02	MTSK-40 Adaptor Mill Ø16x17	16x17	mm	15	16	17
MTSK40C04	MTSK-40 Adaptor Mill Ø22x19	22x19	mm	17	22	19
MTSK40C05	MTSK-40 Adaptor Mill Ø27x21	27x21	mm	22	27	21
MTSK40F01	MTSK-40 Adaptor Mill 1/2"	1/2" Arbor	Inch	32	1/2"	6.5
MTSK40D11	MTSK-40 Adaptor Weldon 1/4"	Weldon 1/4"		8		
MTSK40D12	MTSK-40 Adaptor Weldon 5/16"	Weldon 5/16"		8		
MTSK40D13	MTSK-40 Adaptor Weldon 3/8"	Weldon 3/8"		9		
MTSK40D14	MTSK-40 Adaptor Weldon 1/2"	Weldon 1/2"		14		
MTSK40D01	MTSK-40 Adaptor Weldon 6	Weldon 6		8		
MTSK40D21	MTSK-40 Adaptor Weldon 6	Weldon 6		27.5		
MTSK40D02	MTSK-40 Adaptor Weldon 8	Weldon 8		8		
MTSK40D03	MTSK-40 Adaptor Weldon 10	Weldon 10		9		
MTSK40D24	MTSK-40 Adaptor Weldon 10	Weldon 10		33		
MTSK40D04	MTSK-40 Adaptor Weldon 12	Weldon 12		14		
MTSK40D25	MTSK-40 Adaptor Weldon 12	Weldon 12		35.5		
MTSK40D06	MTSK-40 Adaptor Weldon 16	Weldon 16		39.5		
MTSK40D07	MTSK-40 Adaptor Weldon 20	Weldon 20		39.5		
MTSK40H01	MTSK-40 Adaptor Morse 1	MORSE-1		29		
MTSK40H02	MTSK-40 Adaptor Morse 2	MORSE-2		42		
MTSK40G03	MTSK-40 Adaptor MR25	MR25		33.6		
MTSK40T00	MTSK-40 Cover Plug					

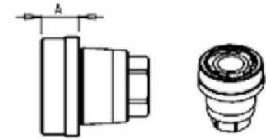
ACCESSORIES

DRIVEN

MTSK-50 ER ADAPTORS



Cod. MT	Mandrino Spindle	A
MTSK50A01	ER40	46.6
MTSK50A02	ER32	35.6
MTSK50A03	ER25	32.6
MTSK50A05	ER16	30.3



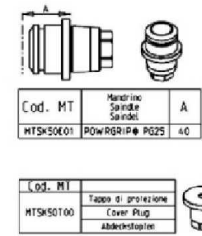
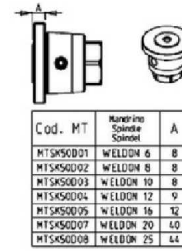
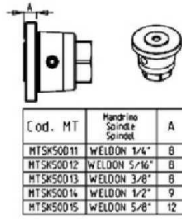
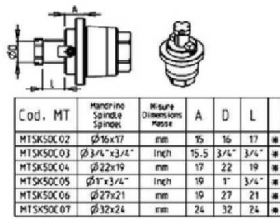
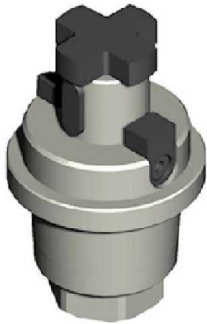
Cod. MT	Mandrino Spindle	A
MTSK50B01	ERA32	19
MTSK50B02	ERA25	14
MTSK50B03	ERA20	9

Part Number	Description	Spindle	A
MTSK50A05	MTSK-50 Adaptor ER16	ER16	30.3
MTSK50B03	MTSK-50 Adaptor ERA20	ERA20	9
MTSK50A03	MTSK-50 Adaptor ER25	ER25	32.6
MTSK50B02	MTSK-50 Adaptor ERA25	ERA25	14
MTSK50A02	MTSK-50 Adaptor ER32	ER32	35.6
MTSK50B01	MTSK-50 Adaptor ERA32	ERA32	19
MTSK50A01	MTSK-50 Adaptor ER40	ER40	46.6

ACCESSORIES

DRIVEN

MTSK-50 MILL ADAPTORS



Part Number	Description	Spindle	Dimension	A	D	L
MTSK50C03	MTSK-50 Adaptor Mill 3/4"	3/4"x3/4"	Inch	15.5	3/4"	3/4"
MTSK50C05	MTSK-50 Adaptor Mill 1"x3/4"	1"x3/4"	Inch	19	1"	3/4"
MTSK50C02	MTSK-50 Adaptor Mill Ø16x17	16x17	mm	15	16	17
MTSK50C04	MTSK-50 Adaptor Mill Ø22x19	22x19	mm	17	22	19
MTSK50C06	MTSK-50 Adaptor Mill Ø27x21	27x21	mm	19	27	21
MTSK50C07	MTSK-50 Adaptor Mill Ø32x24	32x24	mm	24	32	24
MTSK50D11	MTSK-50 Adaptor Weldon 1/4"	Weldon 1/4"		8		
MTSK50D12	MTSK-50 Adaptor Weldon 5/16"	Weldon 5/16"		8		
MTSK50D13	MTSK-50 Adaptor Weldon 3/8"	Weldon 3/8"		8		
MTSK50D14	MTSK-50 Adaptor Weldon 1/2"	Weldon 1/2"		9		
MTSK50D15	MTSK-50 Adaptor Weldon 5/8"	Weldon 5/8"		12		
MTSK50D01	MTSK-50 Adaptor Weldon 6	Weldon 6		8		
MTSK50D02	MTSK-50 Adaptor Weldon 8	Weldon 8		8		
MTSK50D03	MTSK-50 Adaptor Weldon 10	Weldon 10		8		
MTSK50D04	MTSK-50 Adaptor Weldon 12	Weldon 12		9		
MTSK50D05	MTSK-50 Adaptor Weldon 16	Weldon 16		12		
MTSK50D07	MTSK-50 Adaptor Weldon 20	Weldon 20		40		
MTSK50D08	MTSK-50 Adaptor Weldon 25	Weldon 25		44		
MTSK50E01	MTSK-50 Adaptor POWERGRIP PG25	POWERGRIP PG25		40		
MTSK50T00	MTSK-50 Cover Plug					

ER COLLETS

ER COLLET NUMBER	DESCRIPTION	MD LIST PRICE
ER20 SET	ER20 Collet Set (15 Collets)	\$ 330.00
ERX20 SET	ER20 Sealed Collet Set (13 Collets)	\$ 395.00
ER25 SET	ER25 Collet Set (19 Collets)	\$ 375.00
ERX25 SET	ER25 Sealed Collet Set (17 Collets)	\$ 475.00
ER32 SET	ER32 Collet Set (21 Collets)	\$ 425.00
ERX32 SET	ER32 Sealed Collet Set (21 Collets)	\$ 595.00
ER40 SET	ER40 Collet Set (29 Collets)	\$ 695.00
ERX40 SET	ER40 Sealed Collet Set (27 Collets)	\$ 850.00



Phone: (810) 632-4446 / Fax: (810) 632-4467

Table of Contents

Alphabetized Listing

(RADIAL SINGLE SIDE TWIN STATIC TOOL	17
(0-180) ADJUSTABLE ANGLE DRIVEN TOOL	11-12	RADIAL SINGLE STATIC TOOL	16
(0-180) ADJUSTABLE ANGLE DRIVEN TOOL GEARED-UP 1:2	13	RADIAL SINGLE STATIC TOOL COROMANT CAPTO	26
(0-180) ADJUSTABLE ANGLE DRIVEN TOOL GEARED-UP 1:2 WITH DIGITAL DISPLAY	13	REINFORCED DRIVEN GEAR HOBBER	14
(0-180) ADJUSTABLE ANGLE DRIVEN TOOL WITH DIGITAL DISPLAY	12	S	
A		See Accessories for MTSK Quick Change Adaptors	7
AXIAL 2+2 POSITION UPRIGHT BORING BAR HOLDER 1-1/4"	22	SL3300 S/SY	1-29
AXIAL 3 POSITION UPRIGHT REAR SET BORING BAR HOLDER 1"	23	STATIC	16-24
AXIAL 3+3 POSITION BORING BAR HOLDER 1-1/4"	23	T	
AXIAL 3+3 POSITION UPRIGHT BORING BAR HOLDER 1"	22	TAILSTOCK FOR SUBSPINDLE	24
AXIAL 4+4 POSITION BORING BAR HOLDER 1"	24		
AXIAL 8 POSITION BORING BAR HOLDER 3/4"	24		
AXIAL DRIVEN TOOL	6		
AXIAL DRIVEN TOOL COROMANT CAPTO	25		
AXIAL GEARED-DOWN 2:1 DRIVEN TOOL	8		
AXIAL GEARED-UP 1:2 DRIVEN TOOL	9		
AXIAL GEARED-UP 1:2 OPPOSITE FACE TWIN DRIVEN TOOL	10		
AXIAL MULTIPLE 4/8 OUTLET DRIVEN TOOL	11		
AXIAL OPPOSITE FACE TWIN DRIVEN TOOL	9		
AXIAL OPPOSITE FACE TWIN STATIC TOOL COROMANT CAPTO	29		
AXIAL REAR-SET DRIVEN TOOL	7		
AXIAL REAR-SET SINGLE STATIC TOOL COROMANT CAPTO	28		
AXIAL SINGLE BORING BAR HOLDER 1-1/2" H=80mm	21		
AXIAL SINGLE BORING BAR HOLDER 2" H=80mm	20		
AXIAL SINGLE EXTENDED BORING BAR HOLDER 40mm H=80mm	21		
AXIAL SINGLE SIDE TWIN HEAD DRIVEN TOOL IN Y	10		
AXIAL SINGLE STATIC TOOL	20		
AXIAL SINGLE STATIC TOOL COROMANT CAPTO	28		
B			
BROACHING/SLOTTING DRIVEN TOOL 25mm STROKE H=94mm	15		
BROACHING/SLOTTING DRIVEN TOOL 50mm STROKE H=94mm	15		
C			
CAPTO	25-29		
D			
DRIVEN	1-15		
DRIVEN GEAR HOBBER	14		
DRIVEN TOOL FOR WORM SCREWS	15		
Q			
QUICK CHANGE AXIAL MTSK DRIVEN TOOL	7		
R			
RADIAL DOUBLE 2+2 UPRIGHT POSITION STATIC TOOL COROMANT CAPTO	27		
RADIAL DOUBLE 3+3 UPRIGHT POSITION STATIC TOOL COROMANT CAPTO	27		
RADIAL DOUBLE BLADE HOLDER WITH BLADE KIT	18		
RADIAL DOUBLE BLADE HOLDER WITH INTERNAL COOLANT - BLADE KIT NOT INCLUDED	19		
RADIAL DOUBLE SIDE TWIN STATIC TOOL	18		
RADIAL DOUBLE STATIC TOOL	17		
RADIAL DOUBLE STATIC TOOL COROMANT CAPTO	26		
RADIAL DOUBLE TWIN-SIDE BLADE HOLDER WITH BLADE KIT	19		
RADIAL DRIVEN TOOL	1		
RADIAL DRIVEN TOOL COROMANT CAPTO	25		
RADIAL DRIVEN TOOL REDIRECTED IN Z BY 45mm	2		
RADIAL GEARED-DOWN 2:1 DRIVEN TOOL REDIRECTED IN Z BY 45mm	2		
RADIAL GEARED-UP 1:2 DRIVEN TOOL REDIRECTED IN Z BY 45mm	3		
RADIAL INVERTED DRIVEN TOOL RE-DIRECTED IN Z	5		
RADIAL MULTIPLE 6 OUTLET DRIVEN TOOL	4		
RADIAL REAR-SET SINGLE STATIC TOOL	16		
RADIAL SINGLE SIDE TWIN HEAD DRIVEN TOOL IN Y	3		
RADIAL SINGLE SIDE TWIN HEAD DRIVEN TOOL IN Z	4		

Table of Contents

Part Number Index

B			GDW0112500	Axial Single Static Tool 25mm	20
BLADEKIT	Blade Kit: 1 Blade, 10 Inserts	18	GDW0112540	Axial Single Static Tool 1"	20
BLADEKIT	Blade Kit: 1 Blade, 10 Inserts	19	GDW0123810	Axial Single BBH 1-1/2"	21
C			GDW0124000	Axial Single BBH 40mm	21
COOL THRU	Blade Kit: 1 Blade, 10 Inserts	19	GDW0125000	Axial Single BBH 50mm	20
BLADEKIT			GDW0125080	Axial Single BBH 2"	20
G			GDW0130132	Radial Double Blade Holder with Blade Kit	18
			GDW0140225	Radial Single Side Twin ER25	3
GDW0010120	Axial Driven Tool Weldon 20	6	GDW0140325	Radial Single Side Twin ERA25	3
GDW0010125	Axial Driven Tool Weldon 25	6	GDW0141225	Radial Single Side Twin ER25 Cool Thru	3
GDW0010132	Axial Driven Tool Weldon 32	6	GDW0141325	Radial Single Side Twin ERA25 Cool Thru	3
GDW0010140	Axial Driven Tool ER40	6	GDW0150225	Radial Single Side Twin ER25	4
GDW0010220	Axial Driven Tool Weldon 20 Cool Thru	6	GDW0150325	Radial Single Side Twin ERA25	4
GDW0010225	Axial Driven Tool Weldon 25 Cool Thru	6	GDW0151225	Radial Single Side Twin ER25 Cool Thru	4
GDW0010332	Axial Driven Tool ERA32	6	GDW0151325	Radial Single Side Twin ERA25 Cool Thru	4
GDW0010432	Axial Driven Tool ERA32 Cool Thru	6	GDW0160625	Radial Multiple 6 Outlet ER25	4
GDW0010525	Axial Driven Tool ER25	6	GDW0170632	Axial Rear-Set ER32	7
GDW0010532	Axial Driven Tool ER32	6	GDW0171632	Axial Rear-Set ER32 Cool Thru	7
GDW0011140	Axial Driven Tool ER40 Cool Thru	6	GDW0180120	Axial Geared-Down Weldon 20	8
GDW0011525	Axial Driven Tool ER25 Cool Thru	6	GDW0180125	Axial Geared-Down Weldon 25	8
GDW0011532	Axial Driven Tool ER32 Cool Thru	6	GDW0180132	Axial Geared-Down Weldon 32	8
GDW0011617	Axial Driven Tool 16x17mm	6	GDW0180140	Axial Geared-Down ER40	8
GDW0012219	Axial Driven Tool 22x19mm	6	GDW0180220	Axial Geared-Down Weldon 20 Cool Thru	8
GDW0012519	Axial Driven Tool 1"x19mm	6	GDW0180225	Axial Geared-Down Weldon 25 Cool Thru	8
GDW0012721	Axial Driven Tool 27x21mm	6	GDW0180232	Axial Geared-Down Weldon 32 Cool Thru	8
GDW0020120	Radial Weldon 20	1	GDW0180525	Axial Geared-Down ER25	8
GDW0020122	Radial Mill Head 22x19 Cool Thru	1	GDW0180532	Axial Geared-Down ER32	8
GDW0020125	Radial Weldon 25	1	GDW0181140	Axial Geared-Down ER40 Cool Thru	8
GDW0020132	Radial Weldon 32	1	GDW0181525	Axial Geared-Down ER25 Cool Thru	8
GDW0020140	Radial ER40	1	GDW0181532	Axial Geared-Down ER32 Cool Thru	8
GDW0020220	Radial Weldon 20 Cool Thru	1	GDW0181617	Axial Geared-Down 16x17mm	8
GDW0020425	Radial Weldon 25 Cool Thru	1	GDW0182219	Axial Geared-Down 22x19mm	8
GDW0020525	Radial Mill Head 1"x19mm Cool Thru	1	GDW0182519	Axial Geared-Down 1"x19mm	8
GDW0020532	Radial ER32	1	GDW0182721	Axial Geared-Down 27x21mm	8
GDW0020632	Radial ER32	1	GDW0190532	Axial Geared-Up ER32	9
GDW0020732	Radial ER32 Cool Thru	1	GDW0191532	Axial Geared-Up ER32 Cool Thru	9
GDW0021140	Radial ER40 Cool Thru	1	GDW0200116	Axial Geared-Up Opposite Face ERA16+ERA16	10
GDW0021532	Radial ER32 Cool Thru	1	GDW0200120	Axial Geared-Up Opposite Face ERA20+ERA20	10
GDW0021617	Radial Mill Head 16x17	1	GDW0210225	Axial Single Side Twin ER25	10
GDW0021632	Radial ER32 Cool Thru	1	GDW0210325	Axial Single Side Twin ERA25	10
GDW0022132	Radial ER32 Short	1	GDW0211225	Axial Single Side Twin ER25 Cool Thru	10
GDW0022140	Radial ER40 Short	1	GDW0211325	Axial Single Side Twin ERA25 Cool Thru	10
GDW0022219	Radial Mill Head 22x19	1	GDW0220425	Axial Multiple 4/8 Outlet ER25	11
GDW0022519	Radial Mill Head 1"x19mm	1	GDW0224425	Axial Multiple 4/8 Outlet ER25+ER25	11
GDW0022721	Radial Mill Head 27x21	1	GDW0231100	Driven Gear Hobb 1:1	14
GDW0060032	Radial Redirected in Z ER32	2	GDW0232100	Driven Gear Hobb 2:1 Geared-Down	14
GDW0061116	Radial Redirected in Z 16x17	2	GDW0241100	Reinforced Gear Hobb 1:1	14
GDW0061119	Radial Redirected in Z 3/4"x3/4"	2	GDW0242100	Reinforced Gear Hobb 2:1 Geared-Down	14
GDW0061122	Radial Redirected in Z 22x19	2	GDW0258022	Worm Gear Driven Tool 22x12mm	15
GDW0061127	Radial Redirected in Z 27x21	2	GDW0258125	Worm Gear Driven Tool 1"x12mm	15
GDW0061225	Radial Geared-Up 1:2 Redirected in Z ER25	3	GDW0262500	Radial Rear Set Single Static Tool 25mm	16
GDW0062119	Radial Geared-Down 2:1 Redirected in Z 3/4"x3/4"	2	GDW0262540	Radial Rear Set Single Static Tool 1"	16
GDW0062122	Radial Geared-Down 2:1 Redirected in Z 22x19	2	GDW0270232	Radial Double Twin-Side Blade Holder with Blade Kit	19
GDW0062125	Radial Geared-Down 2:1 Redirected in Z 1"x19	2			
GDW0062127	Radial Geared-Down 2:1 Redirected in Z 27x21	2	GDW0284000	Axial Single Extended BBH 40mm	21
GDW0062132	Radial Geared-Down 2:1 Redirected in Z ER32	2	GDW0293175	Axial 2+2 Upright BBH 1-1/4"	22
GDW0062225	Radial Redirected in Z 1"x19mm	2	GDW0293200	Axial 2+2 Upright BBH 32mm	22
GDW0062425	Radial Geared-Up 1:2 Redirected in Z ER25 Cool Thru	3	GDW0302500	Axial 3+3 Upright BBH 25mm	22
			GDW0302540	Axial 3+3 Upright BBH 1"	22
GDW0072500	Radial Single Static Tool 25mm	16	GDW0312500	Axial 3 Position Upright Rear Set BBH 25mm	23
GDW0072540	Radial Single Static Tool 1"	16	GDW0312540	Axial 3 Position Upright Rear Set BBH 1"	23
GDW0082500	Radial Double Static Tool 25mm	17	GDW0323175	Axial 3+3 BBH 1-1/4"	23
GDW0082540	Radial Double Static Tool 1"	17	GDW0323200	Axial 3+3 BBH 32mm	23
GDW0092500	Radial Single Side Twin 25mm	17	GDW0332500	Axial 4+4 BBH 25mm	24
GDW0092540	Radial Single Side Twin 1"	17	GDW0332540	Axial 4+4 BBH 1"	24
GDW0102500	Radial Double Side Twin Static Tool 25mm	18	GDW0341905	Axial 8 Position BBH 3/4"	24
GDW0102540	Radial Double Side Twin Static Tool 1"	18	GDW0342000	Axial 8 Position BBH 20mm	24

Table of Contents

Part Number Index

GDW0350100	Tailstock for Subspindle 38mm	24	KIT 1000006	Plug for 25mm or 1" BBH to Make Cool Thru	22
GDW0350100L	Tailstock for Subspindle 2"	24	KIT 1001002	Plug & Seal Kit for 50mm or 2" BBH to Make Cool Thru	20
GDW0360140	Axial Driven Capto C4	25			
GDW0360150	Axial Driven Capto C5	25	KIT 1002003	Plug & Seal Kit for 40mm BBH to Make Cool Thru	21
GDW0360240	Axial Driven Capto C4 Cool Thru	25	KIT 1003003	Plug & Seal Kit for 40mm BBH to Make Cool Thru	21
GDW0360250	Axial Driven Capto C5 Cool Thru	25	KIT 1003004	Plug & Seal Kit for 1 1/2" BBH to Make Cool Thru	21
GDW0370140	Radial Driven Capto C4	25			
GDW0370150	Radial Driven Capto C5	25			
GDW0384010	Radial Single Static Capto C4 Right Hand	26			
GDW0384010LC	Radial Single Static Capto C4 Left Hand	26			
GDW0385010	Radial Single Static Capto C5 Right Hand	26			
GDW0385010LC	Radial Single Static Capto C5 Left Hand	26			
GDW0385015	Radial Single Static Capto C5 Right Hand	26			
GDW0385015LC	Radial Single Static Capto C5 Left Hand	26			
GDW0394020	Radial Double Static Capto C4 Right Hand	26			
GDW0394020LC	Radial Double Static Capto C4 Left Hand	26			
GDW0395020	Radial Double Static Capto C5 Right Hand	26			
GDW0395020LC	Radial Double Static Capto C5 Left Hand	26			
GDW0403240	Radial 2+2 Upright Static Capto C3 Right Hand	27			
GDW0403240LC	Radial 2+2 Upright Static Capto C3 Left Hand	27			
GDW0403260	Radial 3+3 Upright Static Capto C3 Right Hand	27			
GDW0403260LC	Radial 3+3 Upright Static Capto C3 Left Hand	27			
GDW0414010	Axial Single Static Capto C4 Right Hand	28			
GDW0414010LC	Axial Single Static Capto C4 Left Hand	28			
GDW0415010	Axial Single Static Capto C5 Right Hand	28			
GDW0415010LC	Axial Single Static Capto C5 Left Hand	28			
GDW0415015	Axial Single Static Capto C5 Right Hand	28			
GDW0415015LC	Axial Single Static Capto C5 Left Hand	28			
GDW0416010	Axial Single Static Capto C6 Right Hand	28			
GDW0416010LC	Axial Single Static Capto C6 Left Hand	28			
GDW0424020	Axial Opposite Face Twin Static Capto C4 Right Hand	29			
GDW0424020LC	Axial Opposite Face Twin Static Capto C4 Left Hand	29			
GDW0434010	Axial Rear Set Static Capto C4 Right Hand	28			
GDW0434010LC	Axial Rear Set Static Capto C4 Left Hand	28			
GDW0435010	Axial Rear Set Static Capto C5 Right Hand	28			
GDW0435010LC	Axial Rear Set Static Capto C5 Left Hand	28			
GDW0440120	(0-180) Adj. Angle ERA20	12			
GDW0440220	(0-180) Adj. Angle ERA20 Cool Thru	12			
GDW0440316	(0-180) Adj. Angle Geared-Up ERA16	13			
GDW0440416	(0-180) Adj. Angle Geared-Up ERA16 Cool Thru	13			
GDW0445120	(0-180) Adj. Angle ERA20 with Digital Display	12			
GDW0445220	(0-180) Adj. Angle ERA20 with Digital Display Cool Thru	12			
GDW0445316	(0-180) Adj. Angle Geared-Up ERA16 with Digital Display	13			
GDW0445416	(0-180) Adj. Angle Geared-Up ERA16 with Digital Display Cool Thru	13			
GDW0460132	Radial Double Blade Holder Cool Thru	19			
GDW0470120	(0-180) Adj. Angle ER20	11			
GDW0470125	(0-180) Adj. Angle ER25	11			
GDW0470516	(0-180) Adj. Angle 16x17mm	11			
GDW0470519	(0-180) Adj. Angle 3/4"x3/4"	11			
GDW0470522	(0-180) Adj. Angle 22x19mm	11			
GDW0480232	Axial Opposite Face ER32+ER32	9			
GDW0480240	Axial Opposite Face ER40+ER32	9			
GDW0490140	Axial MTSK-40 Driven Tool	7			
GDW0490150	Axial MTSK-50 Driven Tool	7			
GDW0490240	Axial MTSK-40 Driven Tool Cool Thru	7			
GDW0490250	Axial MTSK-50 Driven Tool Cool Thru	7			
GDW0501055	Radial Inverted Driven Tool	5			
GDW0501105	Radial Inverted Driven Tool	5			
GDW0501155	Radial Inverted Driven Tool	5			
GDW0510100	Broaching/Slotting Driven Tool 50mm Stroke	15			
GDW0510200	Broaching/Slotting Driven Tool 25mm Stroke	15			
K					
KIT 1000001	Plug for 32mm or 1 1/4" BBH to Make Cool Thru	22			