

DRIVEN TOOLING
For
TORNOS



10139 BERGIN RD.
HOWELL, MI 48843
PHONE : 877-91-TOOLS (810-632-4446)
FAX: 877-92-TOOLS (810-632-4467)
EMAIL: info@mdtooling.com
WEBSITE: www.mdtooling.com

Live Tooling



M. T. Marchetti, a major live tool manufacturer in northern Italy, is a leader in live tool technology. The formula is simple. Use only the best angular contact high-speed bearings available. Add to this an exacting tolerances for all ground shafts, gears and bearing pocket features. Next, develop a sealed system that **will not** allow any contamination from chips or coolant.

Top this all off with a superior design and you end up with a live tool that is more rigid, faster and will last longer. **We back this up with a 2-Year factory warranty.**

Our Live Tool Warranty

Our tooling will give years of service in the most demanding applications. The superior design and rugged construction has proven this over the last 12 years. The reliability of our tools allows us to provide a 2-year factory warranty, for non-wear components.

MD Tooling will repair any defective tool holders for a period of 2 years from the date of purchase.

Product Range

We have the largest range of live tooling available for most major machine tool manufactures.

Our available products include an extensive line of standard live tooling as well as specialty tool holders such as 0-180 adjustable angle tool holders, gear hobbers, and even worm gear generators. Our product range includes geared up holders to 60,000 RPM and are engineered for 1,000 PSI coolant through.

We are an industry leader in providing complete tooling solutions with hundreds of static tool options as well.

Technical Support

Here at MD Tooling we have a full technical support department with over 35 years of CNC experience.

Our highly qualified staff can help with part processing, tooling up a job from a blue print and even assist with part programming. Applications Engineers are always available by phone to answer any questions you may have about our tooling or any other CNC related issue.

Stock and Replenishment

MD Tooling maintains an extensive inventory of tooling in our warehouse in Michigan. Our current "fill" rate on orders is 93% from our stock in Michigan for same day shipping.

Should you require a non-stock item, our manufacturer, M.T. Marchetti also maintains a large inventory in Italy. Tooling can be obtained in as little as 3-5 business days.

Shipping

MD Tooling realizes that when you need tooling, often you can't wait until the next day. We process orders and ship from available stock right up until 4PM EST to make certain we get your tooling solutions to you as quickly as possible.

We regularly ship throughout the day via UPS, FedEx or any other carrier that a customer requests.



10139 Bergin Road
Howell, MI 48843
Phone: (810) 632-4446
Fax: (810) 632-4467
Email: info@mdtooling.com
Web: www.mdtooling.com

- Fast, Friendly, Reliable Service!
- Quality tooling at highly competitive pricing.
- 2-Year Warranty on all live tools.
- Extensive inventory. We currently ship over 93% of all orders same day.
- In-house repair services available.
- If a warranty tool needs to be returned for inspection, service or repair, loaner tools are available to keep your machine tool production up and running.
- More specialty tool holders than any other manufacturer.
- Custom tool holders available.
- All available tooling may not be shown in this catalog. If you can't find the holder you're looking for, please contact our office for assistance.



Table of Contents

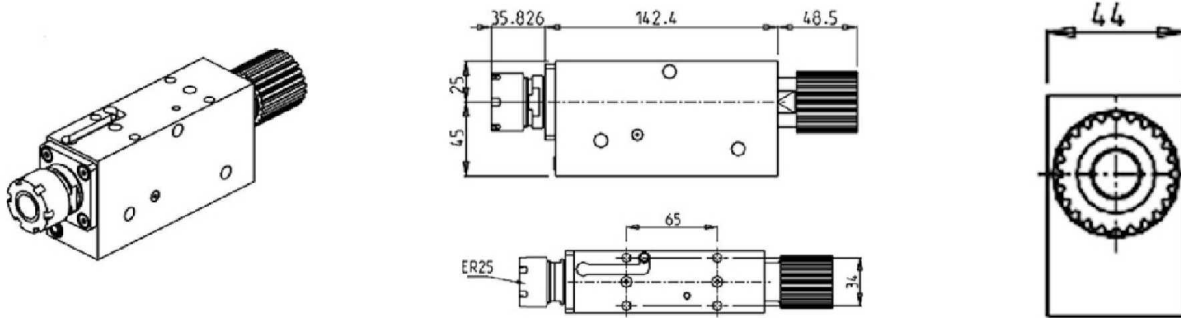
Categorized Listing

| | |
|--|----------|
| DECO 2000 | 1 |
| DRIVEN | 1 |
| DRIVEN TOOL SHORT VERSION | 1 |
| GEARED-UP 1:2 DRIVEN TOOL SHORT VERSION | 1 |
| DRIVEN TOOL LONG VERSION | 2 |
| DRIVEN TOOL FOR EXTERNAL POLYGON-CUTTING | 2 |

DECO 2000

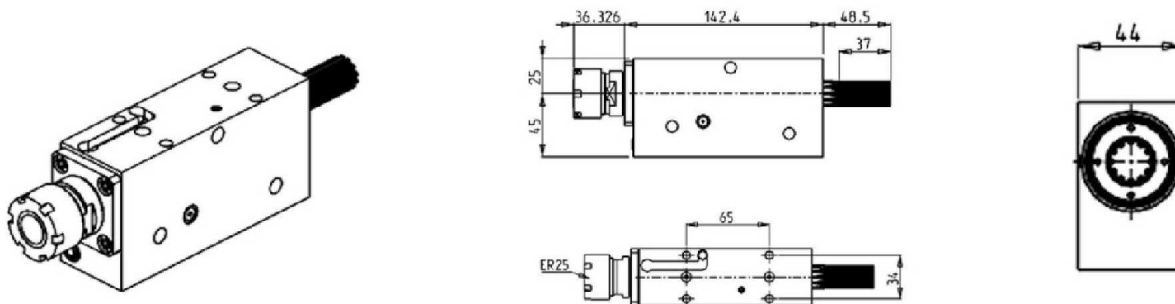
DRIVEN

DRIVEN TOOL SHORT VERSION



| Part Number | Description | Spindle | I | RPM | Ext Cool |
|-------------|--------------------------------|---------|-----|------|----------|
| TB0010225 | Driven Tool Short Version ER25 | ER25 | 1:1 | 8000 | X |

GEARED-UP 1:2 DRIVEN TOOL SHORT VERSION

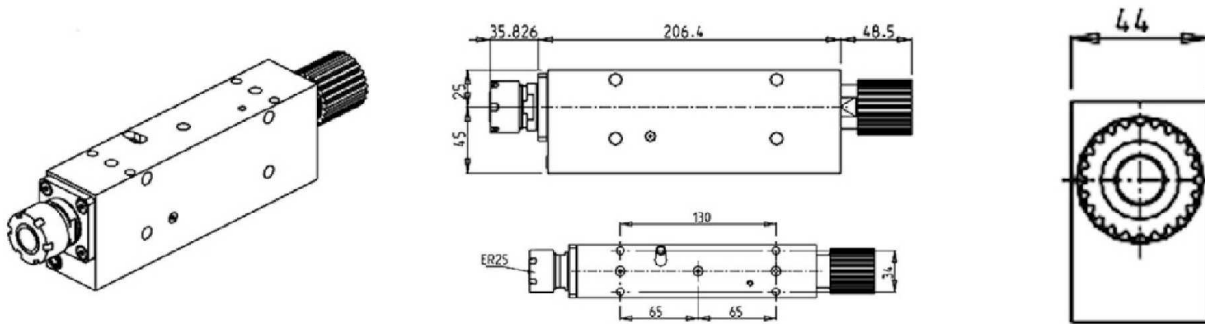


| Part Number | Description | Spindle | I | MAX RPM | Ext Cool |
|-------------|--|---------|-----|---------|----------|
| TB0070125 | Geared-Up 1:2 Driven Tool Short Version ER25 | ER25 | 1:2 | 16000 | X |

DECO 2000

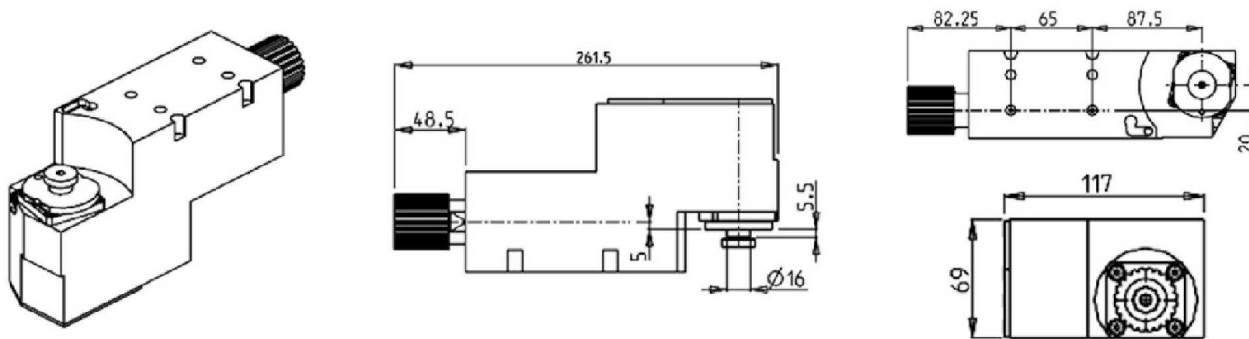
DRIVEN

DRIVEN TOOL LONG VERSION



| Part Number | Description | Spindle | I | RPM | Ext Cool |
|-------------|-------------------------------|---------|-----|------|----------|
| TB0020225 | Driven Tool Long Version ER25 | ER25 | 1:1 | 8000 | X |

DRIVEN TOOL FOR EXTERNAL POLYGON-CUTTING



| Part Number | Description | I | RPM | Ext Cool |
|-------------|--|-----|------|----------|
| TB0031605 | Driven Tool for External Polygon-Cutting | 1:1 | 4000 | X |

ER COLLETS

| ER COLLET NUMBER | DESCRIPTION | MD LIST PRICE |
|------------------|-------------------------------------|---------------|
| ER20 SET | ER20 Collet Set (15 Collets) | \$ 330.00 |
| ERX20 SET | ER20 Sealed Collet Set (13 Collets) | \$ 395.00 |
| ER25 SET | ER25 Collet Set (19 Collets) | \$ 375.00 |
| ERX25 SET | ER25 Sealed Collet Set (17 Collets) | \$ 475.00 |
| ER32 SET | ER32 Collet Set (21 Collets) | \$ 425.00 |
| ERX32 SET | ER32 Sealed Collet Set (21 Collets) | \$ 595.00 |
| ER40 SET | ER40 Collet Set (29 Collets) | \$ 695.00 |
| ERX40 SET | ER40 Sealed Collet Set (27 Collets) | \$ 850.00 |



Phone: (810) 632-4446 / Fax: (810) 632-4467

Table of Contents

Alphabetized Listing

D

| | |
|--|-----|
| DECO 2000 | 1-2 |
| DRIVEN | 1-2 |
| DRIVEN TOOL FOR EXTERNAL POLYGON-CUTTING | 2 |
| DRIVEN TOOL LONG VERSION | 2 |
| DRIVEN TOOL SHORT VERSION | 1 |

G

| | |
|---|---|
| GEARED-UP 1:2 DRIVEN TOOL SHORT VERSION | 1 |
|---|---|

Table of Contents

Part Number Index

T

| | | |
|-----------|--|---|
| TB0010225 | Driven Tool Short Version ER25 | 1 |
| TB0020225 | Driven Tool Long Version ER25 | 2 |
| TB0031605 | Driven Tool for External Polygon-Cutting | 2 |
| TB0070125 | Geared-Up 1:2 Driven Tool Short Version ER25 | 1 |