

DRIVEN and STATIC TOOLING
For
TSUGAMI



10139 BERGIN RD.
HOWELL, MI 48843
PHONE : 877-91-TOOLS (810-632-4446)
FAX: 877-92-TOOLS (810-632-4467)
EMAIL: info@mdtooling.com
WEBSITE: www.mdtooling.com

Live Tooling



M. T. Marchetti, a major live tool manufacturer in northern Italy, is a leader in live tool technology. The formula is simple. Use only the best angular contact high-speed bearings available. Add to this an exacting tolerances for all ground shafts, gears and bearing pocket features. Next, develop a sealed system that **will not** allow any contamination from chips or coolant.

Top this all off with a superior design and you end up with a live tool that is more rigid, faster and will last longer. **We back this up with a 2-Year factory warranty.**

Our Live Tool Warranty

Our tooling will give years of service in the most demanding applications. The superior design and rugged construction has proven this over the last 12 years. The reliability of our tools allows us to provide a 2-year factory warranty, for non-wear components.

MD Tooling will repair any defective tool holders for a period of 2 years from the date of purchase.

Product Range

We have the largest range of live tooling available for most major machine tool manufactures.

Our available products include an extensive line of standard live tooling as well as specialty tool holders such as 0-180 adjustable angle tool holders, gear hobbors, and even worm gear generators. Our product range includes geared up holders to 60,000 RPM and are engineered for 1,000 PSI coolant through.

We are an industry leader in providing complete tooling solutions with hundreds of static tool options as well.

Technical Support

Here at MD Tooling we have a full technical support department with over 35 years of CNC experience.

Our highly qualified staff can help with part processing, tooling up a job from a blue print and even assist with part programming. Applications Engineers are always available by phone to answer any questions you may have about our tooling or any other CNC related issue.

Stock and Replenishment

MD Tooling maintains an extensive inventory of tooling in our warehouse in Michigan. Our current "fill" rate on orders is 93% from our stock in Michigan for same day shipping.

Should you require a non-stock item, our manufacturer, M.T. Marchetti also maintains a large inventory in Italy. Tooling can be obtained in as little as 3-5 business days.

Shipping

MD Tooling realizes that when you need tooling, often you can't wait until the next day. We process orders and ship from available stock right up until 4PM EST to make certain we get your tooling solutions to you as quickly as possible.

We regularly ship throughout the day via UPS, FedEx or any other carrier that a customer requests.



10139 Bergin Road
Howell, MI 48843
Phone: (810) 632-4446
Fax: (810) 632-4467
Email: info@mdtooling.com
Web: www.mdtooling.com

- Fast, Friendly, Reliable Service!
- Quality tooling at highly competitive pricing.
- 2-Year Warranty on all live tools.
- Extensive inventory. We currently ship over 93% of all orders same day.
- In-house repair services available.
- If a warranty tool needs to be returned for inspection, service or repair, loaner tools are available to keep your machine tool production up and running.
- More specialty tool holders than any other manufacturer.
- Custom tool holders available.
- All available tooling may not be shown in this catalog. If you can't find the holder you're looking for, please contact our office for assistance.



Table of Contents

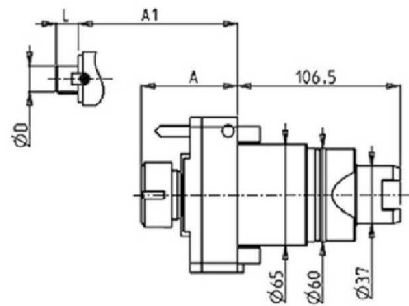
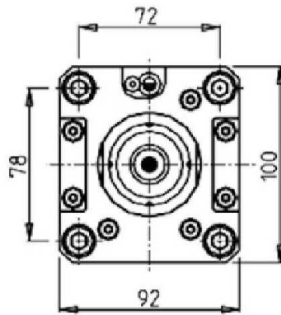
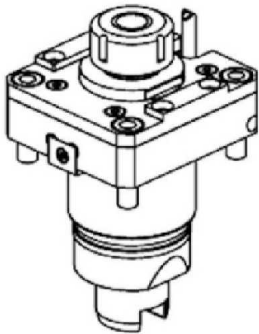
Categorized Listing

M06 - M08	1
DRIVEN	1
RADIAL DRIVEN TOOL	1
RADIAL GEARED-UP 1:3 DRIVEN TOOL RE-DIRECTED IN Z BY 47mm	1
RADIAL SINGLE SIDE TWIN HEAD DRIVEN TOOL IN Y	2
AXIAL REAR-SET DRIVEN TOOL	3
AXIAL GEARED-UP 1:3 REAR-SET DRIVEN TOOL	3
AXIAL REAR-SET OPPOSITE FACE DRIVEN TOOL	4
AXIAL MULTIPLE 2/4 OUTLET DRIVEN TOOL IN Y	4
0-180 ADJUSTABLE ANGLE DRIVEN TOOL	5
0-180 ADJUSTABLE ANGLE DRIVEN TOOL WITH DIGITAL DISPLAY	5
0-180 ADJUSTABLE ANGLE DRIVEN TOOL GEARED-UP 1:2	6
0-180 ADJUSTABLE ANGLE DRIVEN TOOL GEARED-UP 1:2 WITH DIGITAL DISPLAY	6
DRIVEN GEAR HOBBER	7
AXIAL MTSK DRIVEN TOOL FOR POWER SKIVING H=80mm	7
See Accessories for MTSK Clamping Units	7
BROACHING/SLOTING DRIVEN TOOL 50mm STROKE H=90mm	8
BROACHING/SLOTING DRIVEN TOOL 25mm STROKE H=90mm	8
STATIC	9
RADIAL BLADE HOLDER WITH BLADE KIT	9
RADIAL BLADE HOLDER WITH INTERNAL COOLANT-BLADE KIT NOT INCLUDED	9
AXIAL SINGLE BORING BAR HOLDER H=85mm	10
TAILSTOCK FOR SUBSPINDLE	10
B038 - BH20/38	11
DRIVEN	11
0-180 ADJUSTABLE ANGLE DRIVEN TOOL	11
0-180 ADJUSTABLE ANGLE DRIVEN TOOL WITH DIGITAL DISPLAY	11
0-180 ADJUSTABLE ANGLE DRIVEN TOOL GEARED-UP 1:2	12
0-180 ADJUSTABLE ANGLE DRIVEN TOOL GEARED-UP 1:2 WITH DIGITAL DISPLAY	12
B0326	13
DRIVEN	13
RADIAL DRIVEN TOOL	13
RADIAL GEARED-DOWN 2:1 DRIVEN TOOL	13
RADIAL GEARED-UP 1:2 DRIVEN TOOL	13
BS20/26/32 CIII	14
DRIVEN	14
RADIAL DRIVEN TOOL	14
ACCESSORIES	15
DRIVEN	15
MTSK-40 ER ADAPTORS	15
MTSK-40 MILL ADAPTORS	16

M06 - M08

DRIVEN

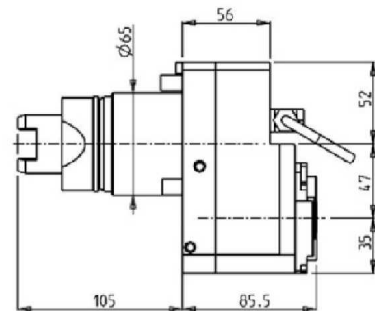
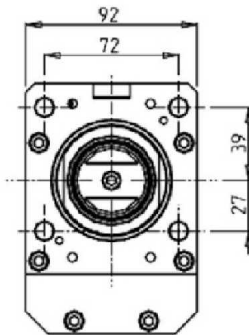
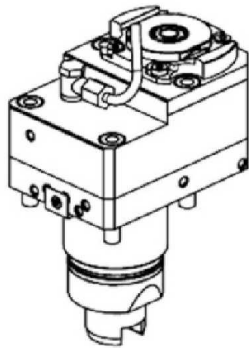
RADIAL DRIVEN TOOL



Part Number	Description	Spindle	I	RPM	Cool Thru	Ext Cool	A	A1	D	L
TSM0060125	Radial Driven Tool ER25	ER25	1:1	5000		X	62.2			
TSM0065225	Radial Driven Tool ER25 Cool Thru*	ER25	1:1	5000	X	X	84.2			
TSM0060132	Radial Driven Tool ER32	ER32	1:1	5000		X	65.2			
TSM0060516	Radial Mill Head Ø16x17mm	Ø16x17	1:1	5000		X		39.5	16	17
TSM0060522	Radial Mill Head Ø22x19mm	Ø22x19	1:1	5000		X		41	22	19

* Coolant Thru tools are designed for 1000 psi.
They require 5 Micron Filtration and **CANNOT** be run dry.

RADIAL GEARED-UP 1:3 DRIVEN TOOL RE-DIRECTED IN Z BY 47mm



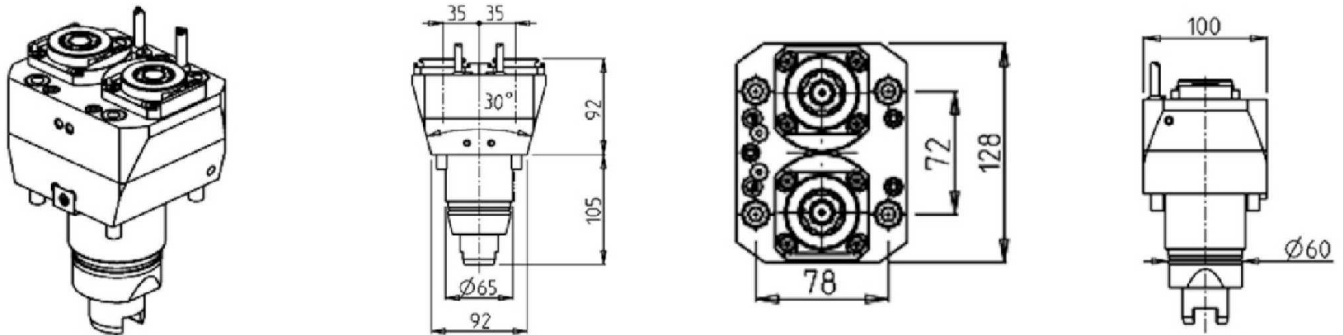
Part Number	Description	Spindle	I	RPM	Reversible	Cool Thru	Ext Cool
TSM0170316	Radial Geared-Up Driven Tool ERA16	ERA16	1:3	15000	X		X
TSM0170416	Radial Geared-Up Driven Tool ERA16 Cool Thru*	ERA16	1:3	15000	X	X	X

* Coolant Thru tools are designed for 1000 psi.
They require 5 Micron Filtration and **CANNOT** be run dry.

M06 - M08

DRIVEN

RADIAL SINGLE SIDE TWIN HEAD DRIVEN TOOL IN Y



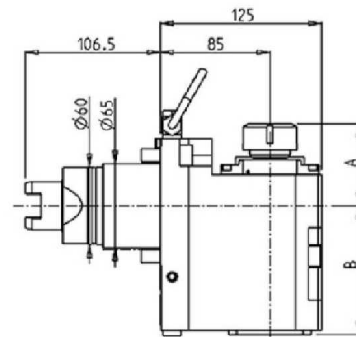
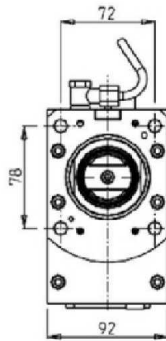
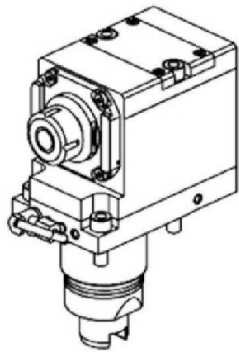
Part Number	Description	Spindle	I	RPM	Cool Thru	Ext Cool
TSM0110120	Radial Single Side Twin Head Driven Tool ERA20	ERA20	1:1	5000		X
TSM0110220	Radial Single Side Twin Head Driven Tool ERA20 Cool Thru*	ERA20	1:1	5000	X	X

* Coolant Thru tools are designed for 1000 psi.
They require 5 Micron Filtration and **CANNOT** be run dry.

M06 - M08

DRIVEN

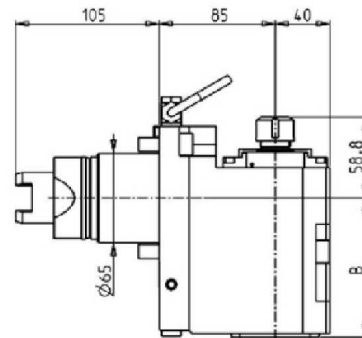
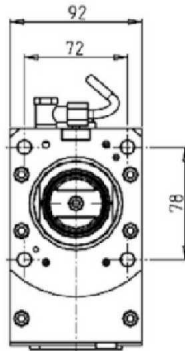
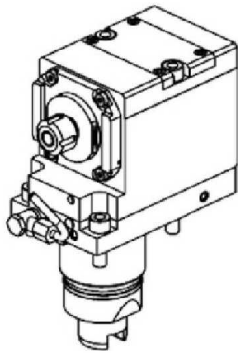
AXIAL REAR-SET DRIVEN TOOL



Part Number	Description	Spindle	I	RPM	Reversible	Cool Thru	Ext Cool	A	B
TSM0070125	Axial Rear-Set Driven Tool ER25	ER25	1:1	5000	X		X	63.2	99.5
TSM0070225	Axial Rear-Set Driven Tool ER25 Cool Thru*	ER25	1:1	5000	X	X	X	63.2	112
TSM0070132	Axial Rear-Set Driven Tool ER32	ER32	1:1	5000	X		X	66.2	99.5
TSM0070232	Axial Rear-Set Driven Tool ER32 Cool Thru*	ER32	1:1	5000	X	X	X	66.2	112

* Coolant Thru tools are designed for 1000 psi.
They require 5 Micron Filtration and **CANNOT** be run dry.

AXIAL GEARED-UP 1:3 REAR-SET DRIVEN TOOL



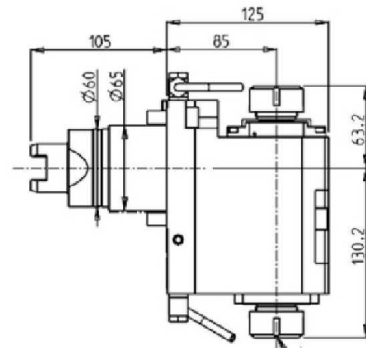
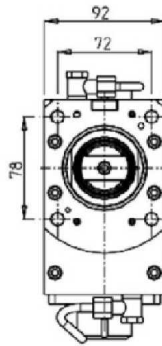
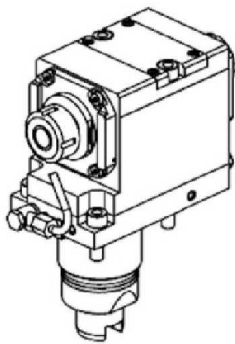
Part Number	Description	Spindle	I	RPM	Reversible	Cool Thru	Ext Cool	B
TSM0180116	Axial Geared-Up Driven Tool ER16	ER16	1:3	15000	X		X	101.5
TSM0180216	Axial Geared-Up Driven Tool ER16 Cool Thru*	ER16	1:3	15000	X	X	X	114

* Coolant Thru tools are designed for 1000 psi.
They require 5 Micron Filtration and **CANNOT** be run dry.

M06 - M08

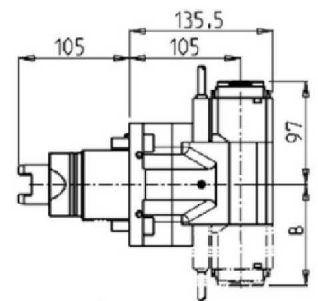
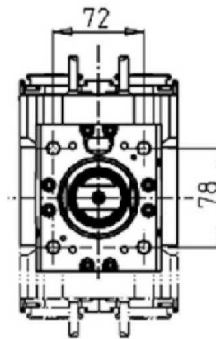
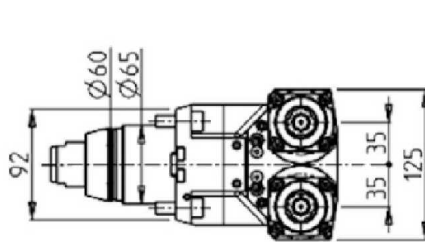
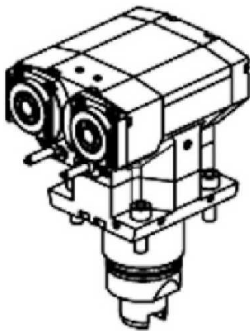
DRIVEN

AXIAL REAR-SET OPPOSITE FACE DRIVEN TOOL



Part Number	Description	Spindle	I	RPM	Ext Cool
TSM0080225	Axial Rear-Set Opposite Face Driven Tool ER25+ER25	ER25+ER25	1:1	5000	X

AXIAL MULTIPLE 2/4 OUTLET DRIVEN TOOL IN Y



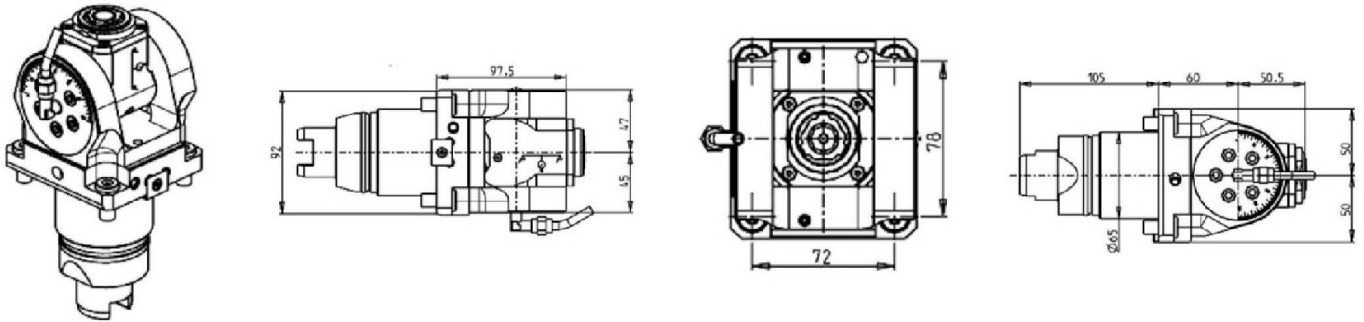
Part Number	Description	Spindle	I	RPM	# of Tools	Reversible	Cool Thru	Ext Cool	B
TSM0150120	Axial 2/4 Outlet ERA20	ERA20	1:1	5000	2	X		X	56.8
TSM0150220	Axial 2/4 Outlet ERA20 Cool Thru*	ERA20	1:1	5000	2	X	X	X	56.8
TSM0151120	Axial 2/4 Outlet ERA20+ERA20	ERA20+ERA20	1:1	5000	2+2	X		X	94.8
TSM0151220	Axial 2/4 Outlet ERA20+ERA20 Cool Thru*	ERA20+ERA20	1:1	5000	2+2	X	X	X	94.8

* Coolant Thru tools are designed for 1000 psi.
They require 5 Micron Filtration and **CANNOT** be run dry.

M06 - M08

DRIVEN

0-180 ADJUSTABLE ANGLE DRIVEN TOOL



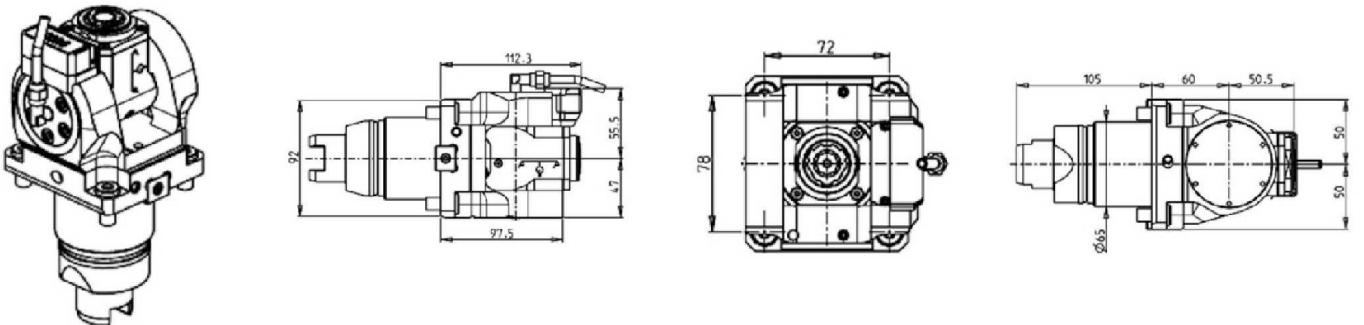
Part Number	Description	Spindle	I	RPM	Cool Thru	Ext Cool
TSM0100120	0-180 Adj. Angle ERA20	ERA20	1:1	5000		X
TSM0100220	0-180 Adj. Angle ERA20 Cool Thru*	ERA20	1:1	5000	X	X

* Coolant Thru tools are designed for 1000 psi.
They require 5 Micron Filtration and **CANNOT** be run dry.

Note :

Wrenches are provided with the purchase of Specialty Toolholders

0-180 ADJUSTABLE ANGLE DRIVEN TOOL WITH DIGITAL DISPLAY



Part Number	Description	Spindle	I	RPM	Cool Thru	Ext Cool
TSM0105120	0-180 Adj. Angle ERA20 with Digital Display	ERA20	1:1	5000		X
TSM0105220	0-180 Adj. Angle ERA20 with Digital Display Cool Thru*	ERA20	1:1	5000	X	X

* Coolant Thru tools are designed for 1000 psi.
They require 5 Micron Filtration and **CANNOT** be run dry.

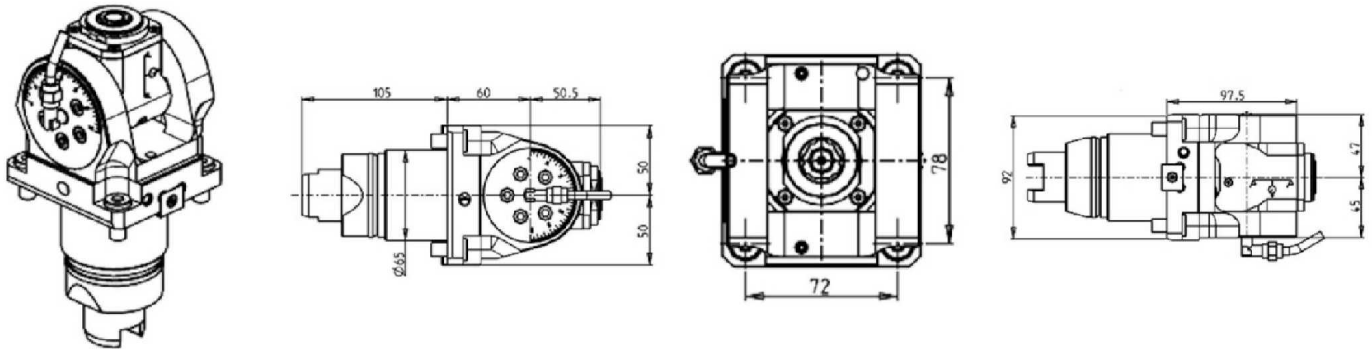
Note :

Wrenches are provided with the purchase of Specialty Toolholders

M06 - M08

DRIVEN

0-180 ADJUSTABLE ANGLE DRIVEN TOOL GEARED-UP 1:2



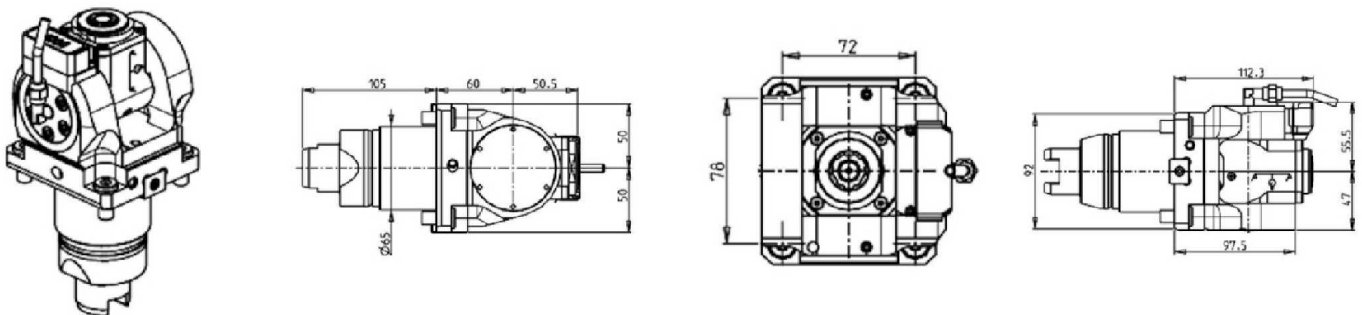
Part Number	Description	Spindle	I	RPM	Cool Thru	Ext Cool
TSM0100316	0-180 Adj. Angle Geared-Up ERA16	ERA16	1:2	10000		X
TSM0100416	0-180 Adj. Angle Geared-Up ERA16 Cool Thru*	ERA16	1:2	10000	X	X

* Coolant Thru tools are designed for 1000 psi. They require 5 Micron Filtration and **CANNOT** be run dry.

Note :

Wrenches are provided with the purchase of Specialty Toolholders

0-180 ADJUSTABLE ANGLE DRIVEN TOOL GEARED-UP 1:2 WITH DIGITAL DISPLAY



Part Number	Description	Spindle	I	RPM	Cool Thru	Ext Cool
TSM0105316	0-180 Adj. Angle Geared-Up ERA16 with Digital Display	ERA16	1:2	10000		X
TSM0105416	0-180 Adj. Angle Geared-Up ERA16 with Digital Display Cool Thru*	ERA16	1:2	10000	X	X

* Coolant Thru tools are designed for 1000 psi. They require 5 Micron Filtration and **CANNOT** be run dry.

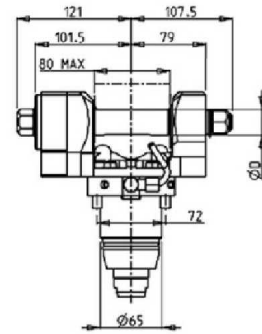
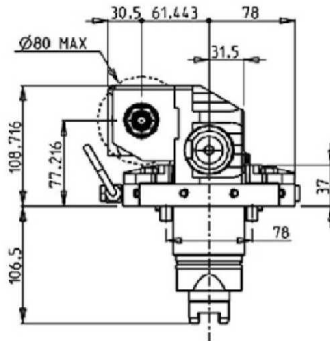
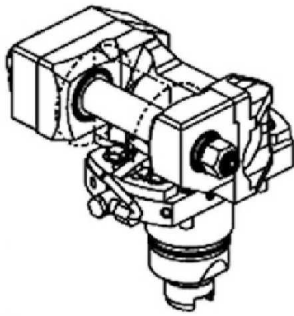
Note :

Wrenches are provided with the purchase of Specialty Toolholders

M06 - M08

DRIVEN

DRIVEN GEAR HOBBER

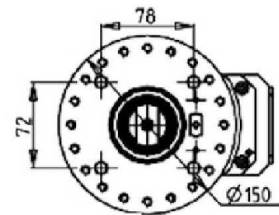
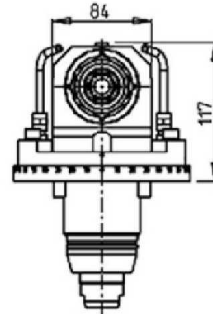
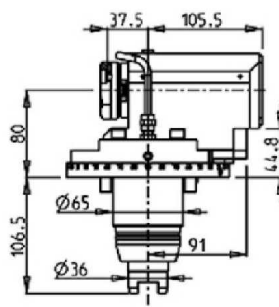
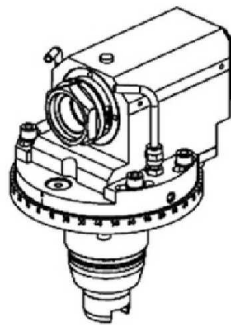


Part Number	Description	I	RPM	Reversible	Ext Cool	D (mm)	D (Inch)
TSM0241100	Driven Gear Hobber 1:1	1:1	6000	X	X	16-22-27-32	3/4"-1"-1 1/4"
TSM0242100	Driven Gear Hobber 2:1 Geared-Down	2:1	3000	X	X	16-22-27-32	3/4"-1"-1 1/4"

Note : Wrenches are provided with the purchase of Specialty Toolholders

AXIAL MTSK DRIVEN TOOL FOR POWER SKIVING H=80mm

See Accessories for MTSK Clamping Units



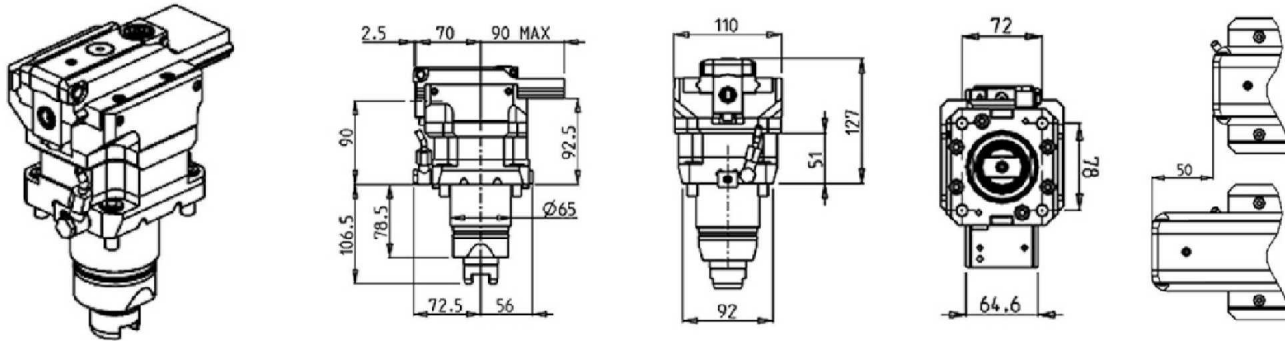
Part Number	Description	Spindle	I	RPM	Ext Cool
TSM0200100	Axial MTSK-40 for Power Skiving	MTSK-40	1:1	5000	X

Note : Wrenches are provided with the purchase of Specialty Toolholders

M06 - M08

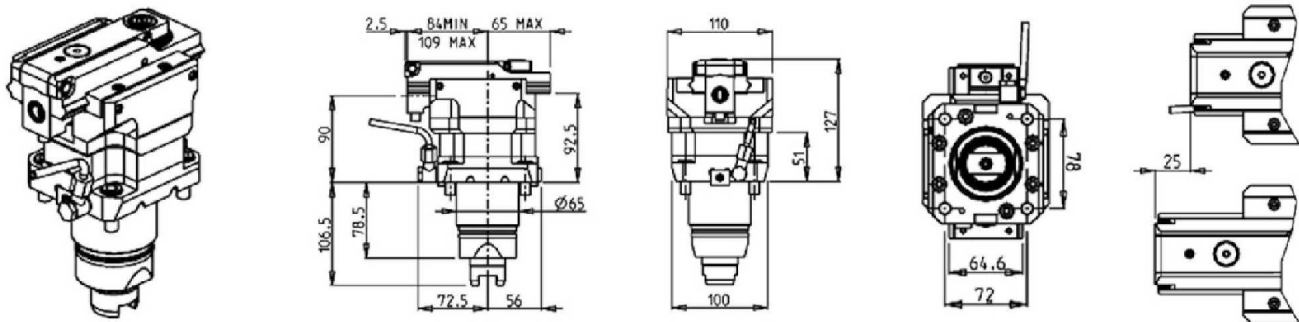
DRIVEN

BROACHING/SLOTING DRIVEN TOOL 50mm STROKE H=90mm



Part Number	Description	I	MAX RPM	Reversible	Ext Cool
TSM0210100	Broaching/Slotting Driven Tool 50mm Stroke	4:1	2000	X	X

BROACHING/SLOTING DRIVEN TOOL 25mm STROKE H=90mm

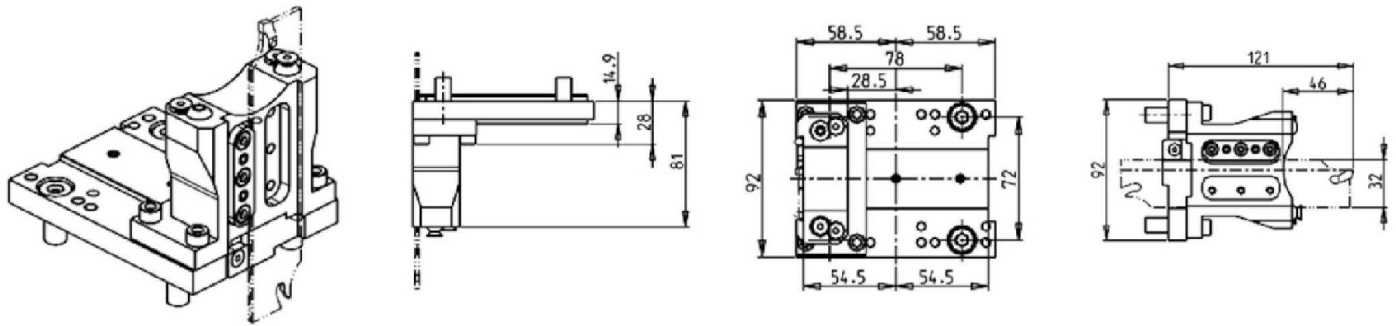


Part Number	Description	I	MAX RPM	Reversible	Ext Cool
TSM0210200	Broaching/Slotting Driven Tool 25mm Stroke	4:1	2400	X	X

M06 - M08

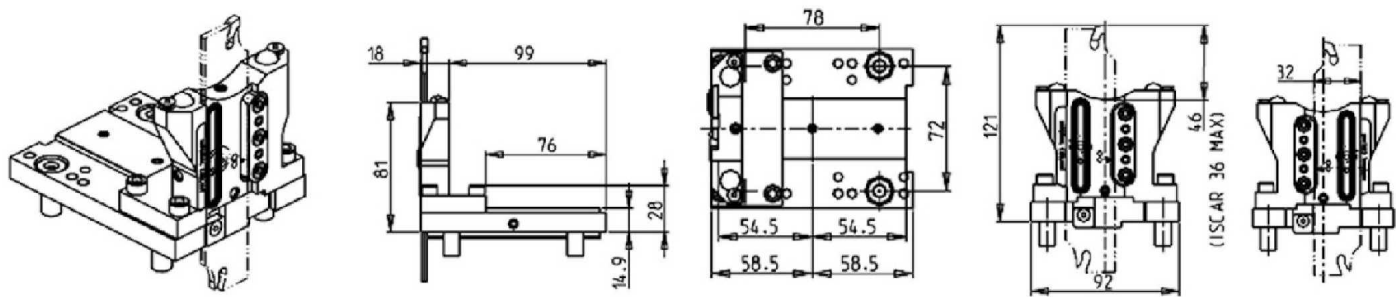
STATIC

RADIAL BLADE HOLDER WITH BLADE KIT



Part Number	Description	# of Tools	Reversible	Ext Cool
TSM0090132	Radial Blade Holder with Blade Kit	1	X	X
BLADEKIT	Blade Kit: 1 Blade, 10 Inserts			

RADIAL BLADE HOLDER WITH INTERNAL COOLANT-BLADE KIT NOT INCLUDED

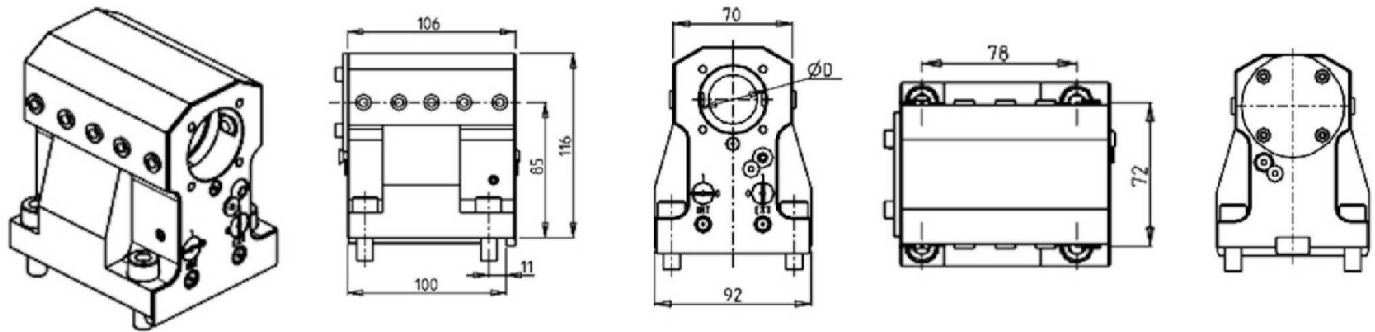


Part Number	Description	# of Tools	Reversible	Cool Thru	Ext Cool
TSM0130132R	Radial Blade Holder Cool Thru* Right Version	1	X	X	X
TSM0130132L	Radial Blade Holder Cool Thru* Left Version	1	X	X	X
COOL THRU BLADEKIT	Blade Kit: 1 Blade, 10 Inserts				

M06 - M08

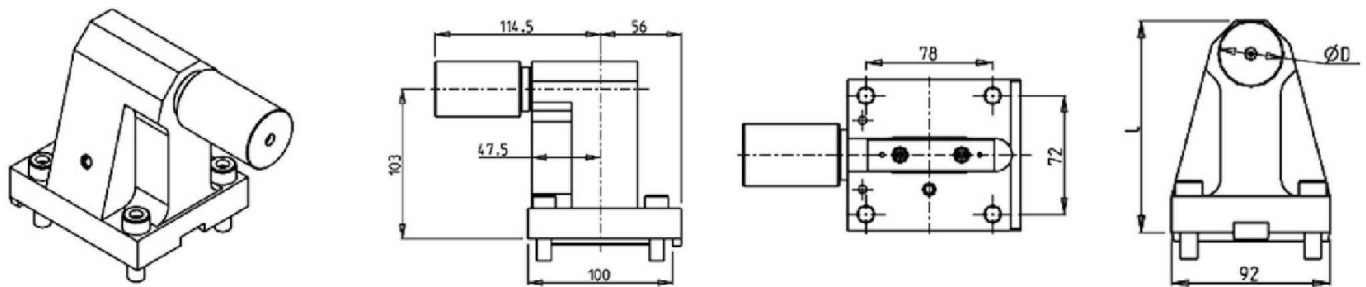
STATIC

AXIAL SINGLE BORING BAR HOLDER H=85mm



Part Number	Description	# of Tools	Reversible	Cool Thru	Ext Cool	Dimensions	D
TSM0164000	Axial Single Boring Bar Holder Ø40mm	1	X	X	X	mm	40
KIT1000003	Plug & Seal Kit for 40mm BBH to Make Cool Thru						

TAILSTOCK FOR SUBSPINDLE

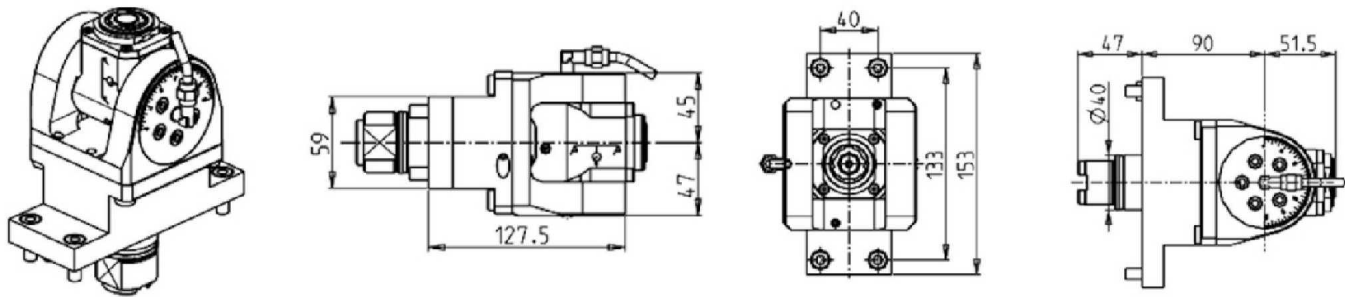


Part Number	Description	# of Tools	D	L
TSM0230100L	Tailstock for Subspindle 2"	1	2"	128.4
TSM0230100	Tailstock for Subspindle Ø38mm	1	38	122
080003	Removable Tailstock Center			

B038 - BH20/38

DRIVEN

0-180 ADJUSTABLE ANGLE DRIVEN TOOL



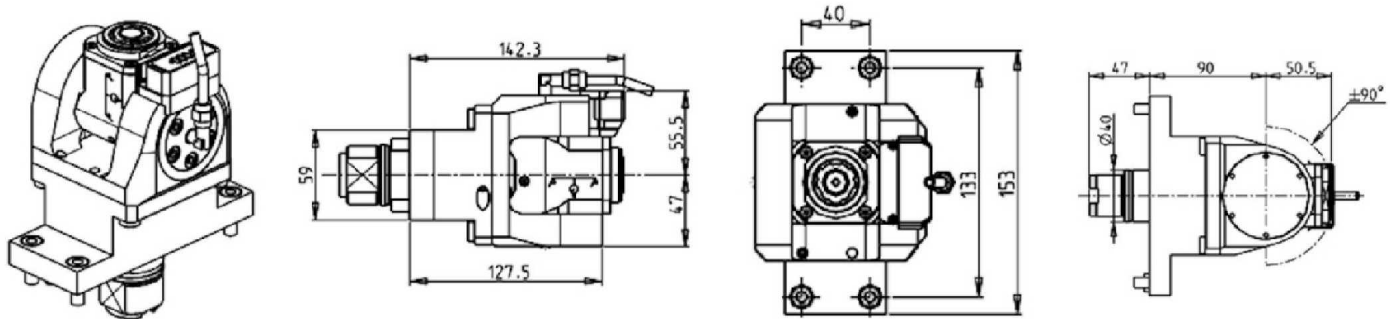
Part Number	Description	Spindle	I	RPM	Cool Thru	Ext Cool
TSM0140120	0-180 Adj. Angle ERA20	ERA20	1:1	8000		X
TSM0140220	0-180 Adj. Angle ERA20 Cool Thru*	ERA20	1:1	8000	X	X

* Coolant Thru tools are designed for 1000 psi.
They require 5 Micron Filtration and **CANNOT** be run dry.

Note :

Wrenches are provided with the purchase of Specialty Toolholders

0-180 ADJUSTABLE ANGLE DRIVEN TOOL WITH DIGITAL DISPLAY



Part Number	Description	Spindle	I	RPM	Cool Thru	Ext Cool
TSM0145120	0-180 Adj. Angle ERA20 with Digital Display	ERA20	1:1	8000		X
TSM0145220	0-180 Adj. Angle ERA20 with Digital Display Cool Thru*	ERA20	1:1	8000	X	X

* Coolant Thru tools are designed for 1000 psi.
They require 5 Micron Filtration and **CANNOT** be run dry.

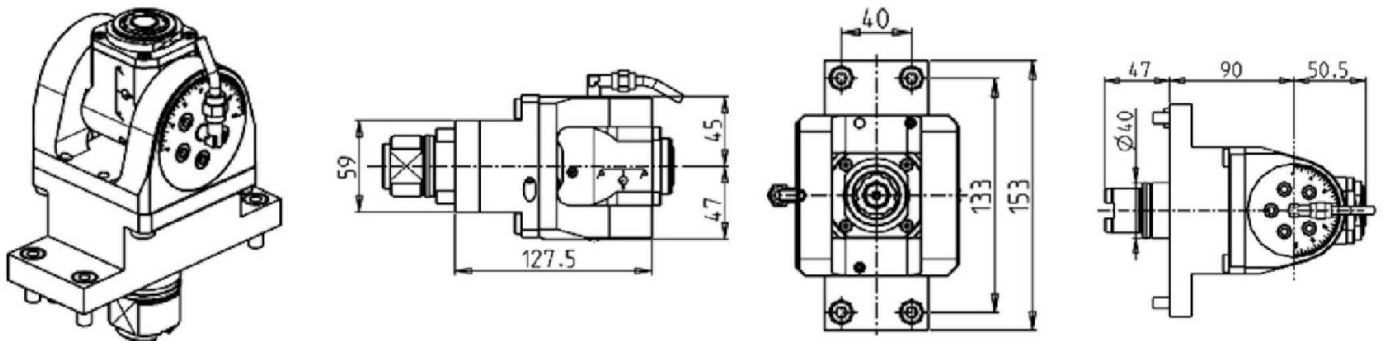
Note :

Wrenches are provided with the purchase of Specialty Toolholders

B038 - BH20/38

DRIVEN

0-180 ADJUSTABLE ANGLE DRIVEN TOOL GEARED-UP 1:2



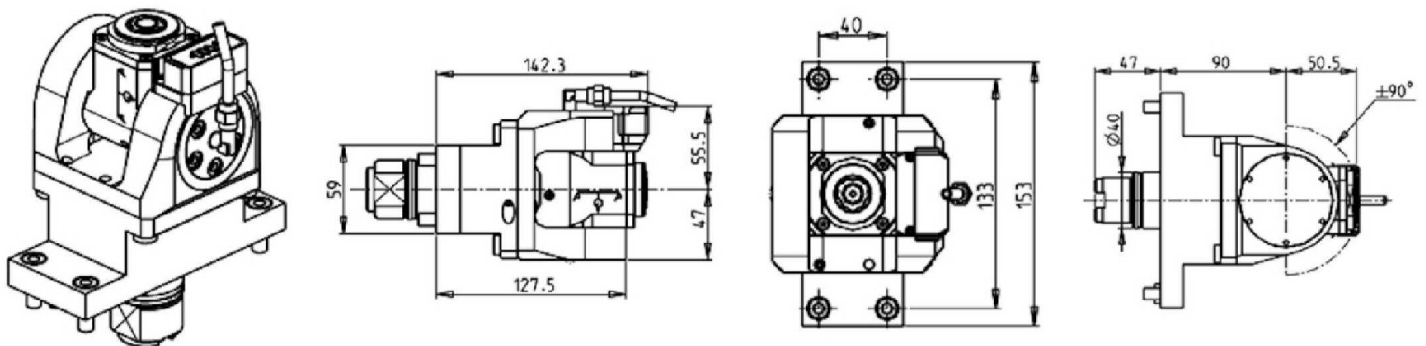
Part Number	Description	Spindle	I	MAX RPM	Cool Thru	Ext Cool
TSM0140316	0-180 Adj. Angle Geared-Up ERA16	ERA16	1:2	12000		X
TSM0140416	0-180 Adj. Angle Geared-Up ERA16 Cool Thru*	ERA16	1:2	12000	X	X

* Coolant Thru tools are designed for 1000 psi.
They require 5 Micron Filtration and **CANNOT** be run dry.

Note :

Wrenches are provided with the purchase of Specialty Toolholders

0-180 ADJUSTABLE ANGLE DRIVEN TOOL GEARED-UP 1:2 WITH DIGITAL DISPLAY



Part Number	Description	Spindle	I	MAX RPM	Cool Thru	Ext Cool
TSM0145316	0-180 Adj. Angle Geared-Up ERA16 with Digital Display	ERA16	1:2	12000		X
TSM0145416	0-180 Adj. Angle Geared-Up ERA16 with Digital Display Cool Thru*	ERA16	1:2	12000	X	X

* Coolant Thru tools are designed for 1000 psi.
They require 5 Micron Filtration and **CANNOT** be run dry.

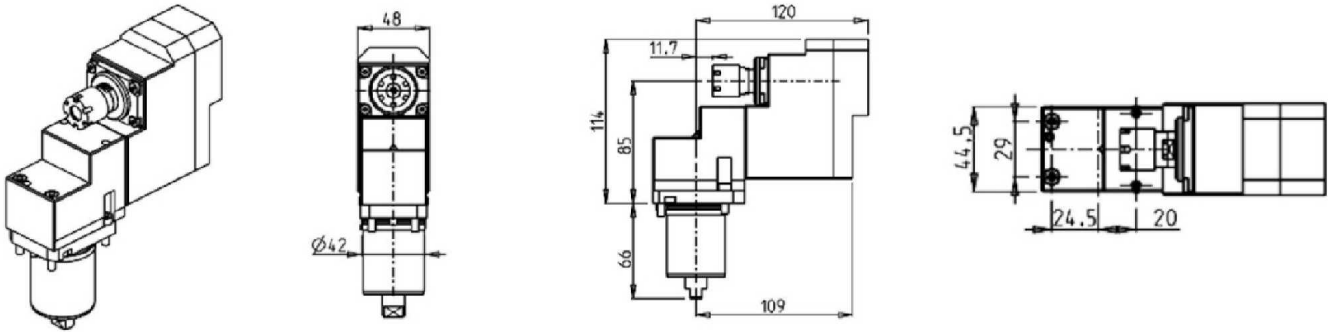
Note :

Wrenches are provided with the purchase of Specialty Toolholders

B0326

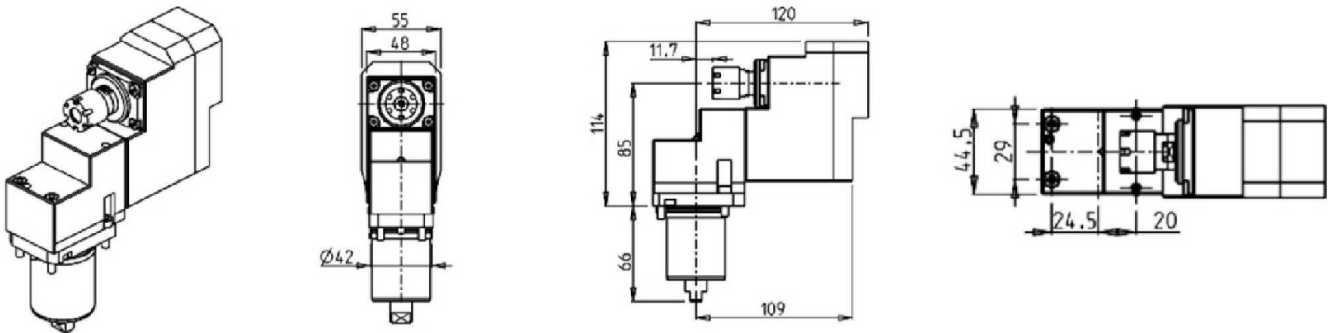
DRIVEN

RADIAL DRIVEN TOOL



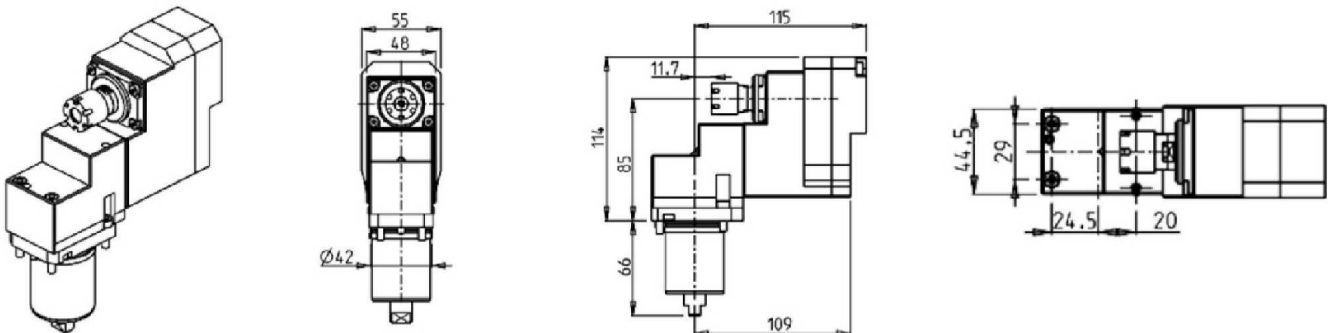
Part Number	Description	Spindle	I	RPM	Ext Cool
TSM0010116	Radial Driven Tool ER16	ER16	1:1	8000	X

RADIAL GEARED-DOWN 2:1 DRIVEN TOOL



Part Number	Description	Spindle	I	RPM	Ext Cool
TSM0020116	Radial Geared-Down Driven Tool ER16	ER16	2:1	4000	X

RADIAL GEARED-UP 1:2 DRIVEN TOOL

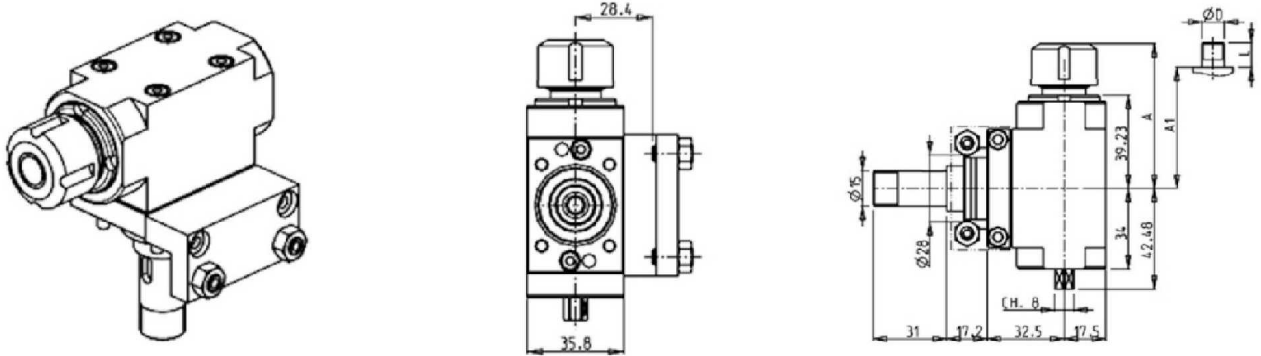


Part Number	Description	Spindle	I	RPM	Ext Cool
TSM0030116	Radial Geared-Up Driven Tool ER16	ER16	1:2	16000	X

BS20/26/32 CIII

DRIVEN

RADIAL DRIVEN TOOL

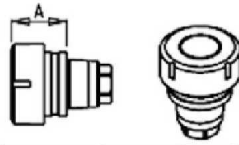


Part Number	Description	Spindle	I	RPM	Ext Cool	A	A1	D	L
M0090416	Radial Driven Tool ER16	ER16	1:1	6000	X	60.9			
M0090112	Radial Driven Tool Ø12	Ø12	1:1	6000	X		42	12	13
M0090210	Radial Driven Tool Ø10	Ø10	1:1	6000	X		42	10	13
M0090308	Radial Driven Tool Ø8	Ø8	1:1	6000	X		42	8	13

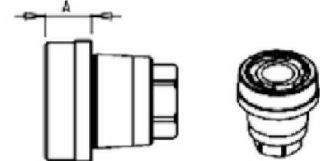
ACCESSORIES

DRIVEN

MTSK-40 ER ADAPTORS



Cod. MT	Mandrino Spindel	A
MTSK40A02	ER32	35.6
MTSK40A03	ER25	32.6
MTSK40A05	ER16	30.26
MTSK40A06	ER16	47.5
MTSK40A07	ER16	59
MTSK40A08	ER11	40
MTSK40A09	ER11	70



Cod. MT	Mandrino Spindel	A
MTSK40B02	ERA25	16
MTSK40B03	ERA20	14

Part Number	Description	Spindle	A
MTSK40A08	MTSK-40 Adaptor ER11	ER11	40
MTSK40A09	MTSK-40 Adaptor ER11	ER11	70
MTSK40A05	MTSK-40 Adaptor ER16	ER16	30.26
MTSK40A06	MTSK-40 Adaptor ER16	ER16	47.5
MTSK40A07	MTSK-40 Adaptor ER16	ER16	59
MTSK40B03	MTSK-40 Adaptor ERA20	ERA20	14
MTSK40A03	MTSK-40 Adaptor ER25	ER25	32.6
MTSK40B02	MTSK-40 Adaptor ERA25	ERA25	16
MTSK40A02	MTSK-40 Adaptor ER32	ER32	35.6

ACCESSORIES

DRIVEN

MTSK-40 MILL ADAPTORS



Cod. MT	Mano-ino Spindle	A
MTSK40D01	WELDON 6	8
MTSK40D21	WELDON 6	27.5
MTSK40D02	WELDON 8	8
MTSK40D03	WELDON 10	9
MTSK40D04	WELDON 12	14
MTSK40D05	WELDON 16	39.5
MTSK40D07	WELDON 20	39.5
MTSK40D24	WELDON 10	33
MTSK40D25	WELDON 12	35.5

Cod. MT	Mano-ino Spindle	A
MTSK40G03	MR25	33.6

Cod. MT	Mano-ino Spindle	Mano-ino Spindle	A	D	L
MTSK40C03	Ø 3/4"	inch	15.5	16	17
MTSK40C02	Ø 16x17	inch	15.5	16	17
MTSK40C04	Ø 22x19	inch	17	22	19
MTSK40C05	Ø 27x21	inch	22	27	21

Cod. MT	Mano-ino Spindle	A
MTSK40D11	WELDON 1/4"	8
MTSK40D12	WELDON 5/16"	8
MTSK40D13	WELDON 3/8"	9
MTSK40D14	WELDON 1/2"	14

Cod. MT	Mano-ino Spindle	A
MTSK40H01	MORSE-1	29
MTSK40H02	MORSE-2	42

Cod. MT	Mano-ino Spindle	Mano-ino Spindle	A	D	L
MTSK40T00	Ø 1/2"	inch	12	1/2"	6.5

Cod. MT	Tagge di protezione	A
MTSK40T00	Ever Plug	
	Abdeckkappen	

Part Number	Description	Spindle	Dimension	A	D	L
MTSK40C03	MTSK-40 Adaptor Mill 3/4"	3/4"x3/4"	Inch	15.5	3/4"	3/4"
MTSK40C02	MTSK-40 Adaptor Mill Ø16x17	Ø16x17	mm	15	16	17
MTSK40C04	MTSK-40 Adaptor Mill Ø22x19	Ø22x19	mm	17	22	19
MTSK40C05	MTSK-40 Adaptor Mill Ø27x21	Ø27x21	mm	22	27	21
MTSK40F01	MTSK-40 Adaptor Mill 1/2"	1/2" Arbor	Inch	32	1/2"	6.5
MTSK40D11	MTSK-40 Adaptor Weldon 1/4"	Weldon 1/4"		8		
MTSK40D12	MTSK-40 Adaptor Weldon 5/16"	Weldon 5/16"		8		
MTSK40D13	MTSK-40 Adaptor Weldon 3/8"	Weldon 3/8"		9		
MTSK40D14	MTSK-40 Adaptor Weldon 1/2"	Weldon 1/2"		14		
MTSK40D01	MTSK-40 Adaptor Weldon 6	Weldon 6		8		
MTSK40D21	MTSK-40 Adaptor Weldon 6	Weldon 6		27.5		
MTSK40D02	MTSK-40 Adaptor Weldon 8	Weldon 8		8		
MTSK40D03	MTSK-40 Adaptor Weldon 10	Weldon 10		9		
MTSK40D24	MTSK-40 Adaptor Weldon 10	Weldon 10		33		
MTSK40D04	MTSK-40 Adaptor Weldon 12	Weldon 12		14		
MTSK40D25	MTSK-40 Adaptor Weldon 12	Weldon 12		35.5		
MTSK40D06	MTSK-40 Adaptor Weldon 16	Weldon 16		39.5		
MTSK40D07	MTSK-40 Adaptor Weldon 20	Weldon 20		39.5		
MTSK40H01	MTSK-40 Adaptor Morse 1	MORSE-1		29		
MTSK40H02	MTSK-40 Adaptor Morse 2	MORSE-2		42		
MTSK40G03	MTSK-40 Adaptor MR25	MR25		33.6		
MTSK40T00	MTSK-40 Cover Plug					

ER COLLETS

ER COLLET NUMBER	DESCRIPTION	MD LIST PRICE
ER20 SET	ER20 Collet Set (15 Collets)	\$ 330.00
ERX20 SET	ER20 Sealed Collet Set (13 Collets)	\$ 395.00
ER25 SET	ER25 Collet Set (19 Collets)	\$ 375.00
ERX25 SET	ER25 Sealed Collet Set (17 Collets)	\$ 475.00
ER32 SET	ER32 Collet Set (21 Collets)	\$ 425.00
ERX32 SET	ER32 Sealed Collet Set (21 Collets)	\$ 595.00
ER40 SET	ER40 Collet Set (29 Collets)	\$ 695.00
ERX40 SET	ER40 Sealed Collet Set (27 Collets)	\$ 850.00



Phone: (810) 632-4446 / Fax: (810) 632-4467

Table of Contents

Alphabetized Listing

O

0-180 ADJUSTABLE ANGLE DRIVEN TOOL	5, 11
0-180 ADJUSTABLE ANGLE DRIVEN TOOL GEARED-UP 1:26	12
0-180 ADJUSTABLE ANGLE DRIVEN TOOL GEARED-UP 1:2 WITH DIGITAL DISPLAY	6, 12
0-180 ADJUSTABLE ANGLE DRIVEN TOOL WITH DIGITAL DISPLAY	5, 11

A

ACCESSORIES	15-16
AXIAL GEARED-UP 1:3 REAR-SET DRIVEN TOOL	3
AXIAL MTSK DRIVEN TOOL FOR POWER SKIVING H=80mm	7
AXIAL MULTIPLE 2/4 OUTLET DRIVEN TOOL IN Y	4
AXIAL REAR-SET DRIVEN TOOL	3
AXIAL REAR-SET OPPOSITE FACE DRIVEN TOOL	4
AXIAL SINGLE BORING BAR HOLDER H=85mm	10

B

B0326	13
B038 - BH20/38	11-12
BROACHING/SLOTTING DRIVEN TOOL 25mm STROKE H=90mm	10
BROACHING/SLOTTING DRIVEN TOOL 50mm STROKE H=90mm	10
BS20/26/32 CIII	14

D

DRIVEN	1-8, 11-16
DRIVEN GEAR HOBBER	7

M

M06 - M08	1-10
MTSK-40 ER ADAPTORS	15
MTSK-40 MILL ADAPTORS	16

R

RADIAL BLADE HOLDER WITH BLADE KIT	9
RADIAL BLADE HOLDER WITH INTERNAL COOLANT-BLADE KIT NOT INCLUDED	9
RADIAL DRIVEN TOOL	1, 13-14
RADIAL GEARED-DOWN 2:1 DRIVEN TOOL	13
RADIAL GEARED-UP 1:2 DRIVEN TOOL	13
RADIAL GEARED-UP 1:3 DRIVEN TOOL RE-DIRECTED IN Z BY 47mm	1
RADIAL SINGLE SIDE TWIN HEAD DRIVEN TOOL IN Y	2

S

See Accessories for MTSK Clamping Units	7
STATIC	9-10

T

TAILSTOCK FOR SUBSPINDLE	10
--------------------------	----

Table of Contents

Part Number Index

O			TSM0105220	0-180 Adj. Angle ERA20 with Digital Display Cool Thru*	5
080003	Removable Tailstock Center	10	TSM0105316	0-180 Adj. Angle Geared-Up ERA16 with Digital Display	6
B					
BLADEKIT	Blade Kit: 1 Blade, 10 Inserts	9	TSM0105416	0-180 Adj. Angle Geared-Up ERA16 with Digital Display Cool Thru*	6
C					
COOL THRU BLADEKIT	Blade Kit: 1 Blade, 10 Inserts	9	TSM0110120	Radial Single Side Twin Head Driven Tool ERA20	2
			TSM0110220	Radial Single Side Twin Head Driven Tool ERA20 Cool Thru*	2
K					
KIT1000003	Plug & Seal Kit for 40mm BBH to Make Cool Thru	10	TSM0130132L	Radial Blade Holder Cool Thru* Left Version	9
			TSM0130132R	Radial Blade Holder Cool Thru* Right Version	9
M					
M0090112	Radial Driven Tool Ø12	14	TSM0140120	0-180 Adj. Angle ERA20	11
M0090210	Radial Driven Tool Ø10	14	TSM0140220	0-180 Adj. Angle ERA20 Cool Thru*	11
M0090308	Radial Driven Tool Ø8	14	TSM0140316	0-180 Adj. Angle Geared-Up ERA16	12
M0090416	Radial Driven Tool ER16	14	TSM0140416	0-180 Adj. Angle Geared-Up ERA16 Cool Thru*	12
MTSK40A02	MTSK-40 Adaptor ER32	15	TSM0145120	0-180 Adj. Angle ERA20 with Digital Display	11
MTSK40A03	MTSK-40 Adaptor ER25	15	TSM0145220	0-180 Adj. Angle ERA20 with Digital Display Cool Thru*	11
MTSK40A05	MTSK-40 Adaptor ER16	15	TSM0145316	0-180 Adj. Angle Geared-Up ERA16 with Digital Display	12
MTSK40A06	MTSK-40 Adaptor ER16	15	TSM0145416	0-180 Adj. Angle Geared-Up ERA16 with Digital Display Cool Thru*	12
MTSK40A07	MTSK-40 Adaptor ER16	15			
MTSK40A08	MTSK-40 Adaptor ER11	15	TSM0150120	Axial 2/4 Outlet ERA20	4
MTSK40A09	MTSK-40 Adaptor ER11	15	TSM0150220	Axial 2/4 Outlet ERA20 Cool Thru*	4
MTSK40B02	MTSK-40 Adaptor ERA25	15	TSM0151120	Axial 2/4 Outlet ERA20+ERA20	4
MTSK40B03	MTSK-40 Adaptor ERA20	15	TSM0151220	Axial 2/4 Outlet ERA20+ERA20 Cool Thru*	4
MTSK40C02	MTSK-40 Adaptor Mill Ø16x17	16	TSM0164000	Axial Single Boring Bar Holder Ø40mm	10
MTSK40C03	MTSK-40 Adaptor Mill 3/4"	16	TSM0170316	Radial Geared-Up Driven Tool ERA16	1
MTSK40C04	MTSK-40 Adaptor Mill Ø22x19	16	TSM0170416	Radial Geared-Up Driven Tool ERA16 Cool Thru*	1
MTSK40C05	MTSK-40 Adaptor Mill Ø27x21	16			
MTSK40D01	MTSK-40 Adaptor Weldon 6	16	TSM180116	Axial Geared-Up Driven Tool ER16	3
MTSK40D02	MTSK-40 Adaptor Weldon 8	16	TSM180216	Axial Geared-Up Driven Tool ER16 Cool Thru*	3
MTSK40D03	MTSK-40 Adaptor Weldon 10	16			
MTSK40D04	MTSK-40 Adaptor Weldon 12	16	TSM0200100	Axial MTSK-40 for Power Skiving	7
MTSK40D06	MTSK-40 Adaptor Weldon 16	16	TSM0210100	Broaching/Slotting Driven Tool 50mm Stroke	8
MTSK40D07	MTSK-40 Adaptor Weldon 20	16	TSM0210200	Broaching/Slotting Driven Tool 25mm Stroke	8
MTSK40D11	MTSK-40 Adaptor Weldon 1/4"	16	TSM0230100	Tailstock for Subspindle Ø38mm	10
MTSK40D12	MTSK-40 Adaptor Weldon 5/16"	16	TSM0230100L	Tailstock for Subspindle 2"	10
MTSK40D13	MTSK-40 Adaptor Weldon 3/8"	16	TSM0241100	Driven Gear Hobber 1:1	7
MTSK40D14	MTSK-40 Adaptor Weldon 1/2"	16	TSM0242100	Driven Gear Hobber 2:1 Geared-Down	7
MTSK40D21	MTSK-40 Adaptor Weldon 6	16			
MTSK40D24	MTSK-40 Adaptor Weldon 10	16			
MTSK40D25	MTSK-40 Adaptor Weldon 12	16			
MTSK40F01	MTSK-40 Adaptor Mill 1/2"	16			
MTSK40G03	MTSK-40 Adaptor MR25	16			
MTSK40H01	MTSK-40 Adaptor Morse 1	16			
MTSK40H02	MTSK-40 Adaptor Morse 2	16			
MTSK40T00	MTSK-40 Cover Plug	16			
T					
TSM0010116	Radial Driven Tool ER16	13			
TSM0020116	Radial Geared-Down Driven Tool ER16	13			
TSM0030116	Radial Geared-Up Driven Tool ER16	13			
TSM0060125	Radial Driven Tool ER25	1			
TSM0060132	Radial Driven Tool ER32	1			
TSM0060516	Radial Mill Head Ø16x17mm	1			
TSM0060522	Radial Mill Head Ø22x19mm	1			
TSM0065225	Radial Driven Tool ER25 Cool Thru*	1			
TSM0070125	Axial Rear-Set Driven Tool ER25	3			
TSM0070132	Axial Rear-Set Driven Tool ER32	3			
TSM0070225	Axial Rear-Set Driven Tool ER25 Cool Thru*	3			
TSM0070232	Axial Rear-Set Driven Tool ER32 Cool Thru*	3			
TSM0080225	Axial Rear-Set Opposite Face Driven Tool ER25+ER25	4			
TSM0090132	Radial Blade Holder with Blade Kit	9			
TSM0100120	0-180 Adj. Angle ERA20	5			
TSM0100220	0-180 Adj. Angle ERA20 Cool Thru*	5			
TSM0100316	0-180 Adj. Angle Geared-Up ERA16	6			
TSM0100416	0-180 Adj. Angle Geared-Up ERA16 Cool Thru*	6			
TSM0105120	0-180 Adj. Angle ERA20 with Digital Display	5			