

# Top<sup>®</sup>

**AUTOMAZIONI**

BAR FEEDERS & AUTOMATIONS



**NO MORE REASONS  
TO WAIT**



**SUITABLE FOR SLIDING-HEAD CNC LATHES  
WITH SPINDLE CAPACITY FROM  
3 mm (0.11") TO 45 mm (1.77")\***

**SELF-ADJUSTING GUIDE  
CHANNEL VIA THE HMI PANEL**

**NO ADDITIONAL GUIDE CHANNEL SETS  
REQUIRED**

**AVAILABLE IN 3200 mm (10.5')  
AND 4100 mm (13') BAR LENGTH  
CAPACITIES**

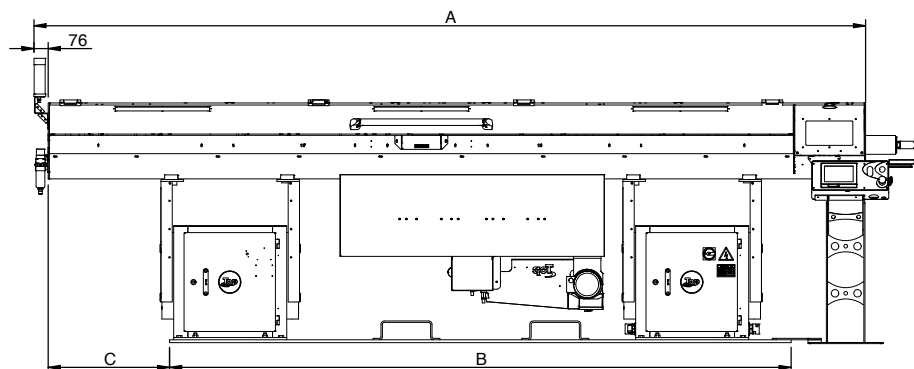
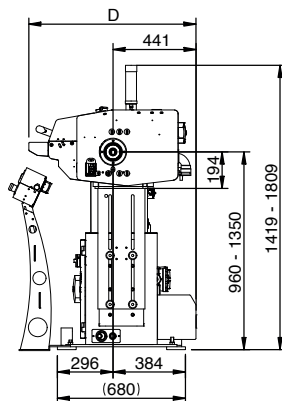
\*The minimum and maximum values  
are set according to the lathe model.



**BAR FEEDER LAYOUT**

SERIES	A	B	C
3200	4416	3300	645
4100	5414	4300	645

STORAGE	D
Single level / Ratchet	887
Multi level	1256





Scan the QR CODE to watch the video



INFINITY

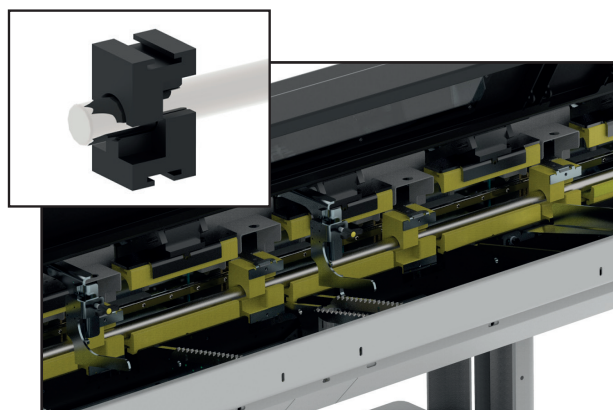


TECHNICAL DATA		
	INFINITY	INFINITY S
∅ ROUND BARS	3 mm - 38 mm / 0.11" - 1.49"	8 mm - 45 mm / 0.31" - 1.77"
∅ HEXAGONAL BARS	5 mm - 33 mm / 0.19" - 1.29"	9 mm - 39 mm / 0.35" - 1.53"
∅ SQUARE BARS	4 mm - 27 mm / 0.15" - 1.06"	7 mm - 32 mm / 0.27" - 1.25"
↕ BAR LENGTH	1200 mm - 3200 mm / 47.24" - 125.98" 1200 mm - 4100 mm / 47.24" - 161.41"	
⌚ MAX FEED SPEED	60 m/min / 196.85'/min	
↕ MAX REMNANT LENGTH	450 mm / 17.71"	
🌀 AIR PRESSURE REQUIRED	6.5 - 7.5 bar	



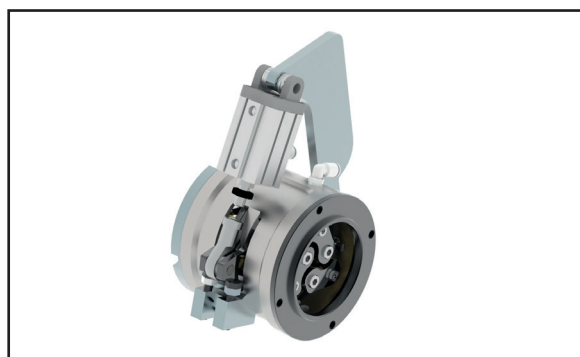
### SELF ADJUSTING GUIDE CHANNEL

Thanks to the Top Automazioni Patent, INFINITY features a self-adjusting guide channel (mm per mm) managed by the PLC. The guide channel is entirely made in vulcanized rubber (Vulkollan). The bars are dipped in an oil bath while processing.



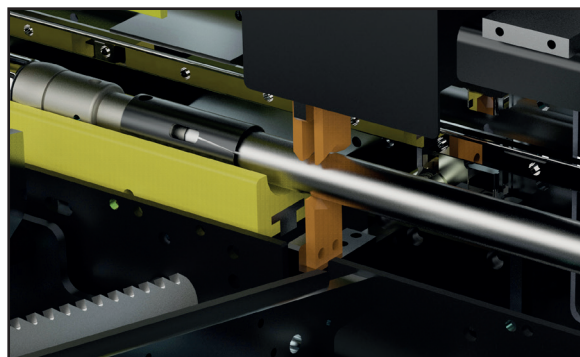
### EXTRA CLAMPING TOP® SYSTEM

According to the specific turning conditions (with or without front guide bush), we can install on the bar feeder's head an additional support, self-adjustable and self-centring Top Automazioni patented). The device improves the bar clamping, increasing the process's performances.



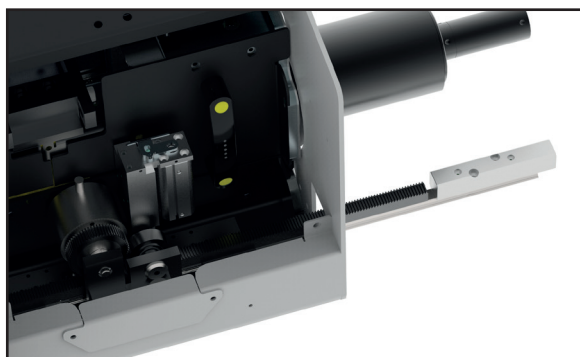
### REMNANT EXTRACTION

INFINITY offers the remnant management by a rear extraction performed thanks to a hidden self centering extractor (Top Automazioni patented) that does not require any manual adjustment.



### TRACKING SYSTEM

INFINITY features a mechanical tracking system performed by means of a pneumatic clutch.



## AUTOMATIC MANAGEMENT

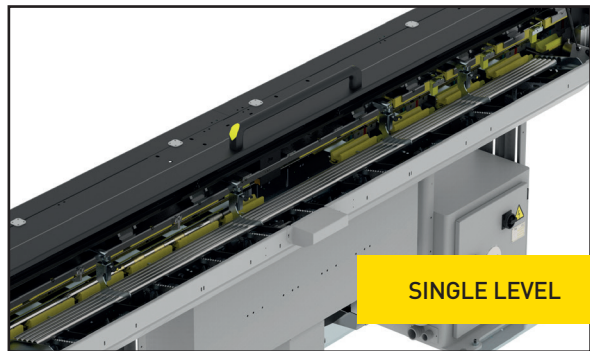
The INFINITY bar feeder is completely managed by a touch screen PLC interacting with a Brushless motor and a digital pneumatic valves system which controls speed, thrust and all the automations. From the PLC the operator can shift from one diameter to another one IN 60 SECONDS, simply entering the intended diameter on the keyboard.



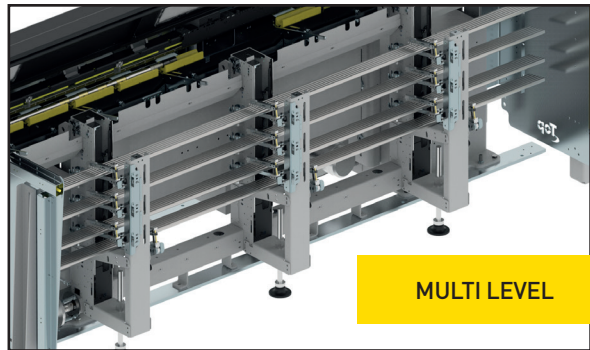
## BAR STORAGE

INFINITY can be equipped with three different loading storages:

- 1) **SINGLE LEVEL** 12° angled magazine with 265 mm (10,43") loading capacity
- 2) **MULTI LEVEL** magazine, featuring 4 different levels, each with 250 mm (9.84") carrying capacity
- 2) Optional **RATCHET** magazine, with 265 mm (10.43") loading capacity, recommended for small diameters (Ø3 mm - Ø4 mm - Ø5 mm - Ø6 mm / Ø 0.11" - Ø 0.15" - Ø 0.19" - Ø 0.23")



SINGLE LEVEL



MULTI LEVEL



RATCHET



HOW TO FIND US ▶  
scan QR code



TOP AUTOMAZIONI S.R.L.

Via Torrianese, 62  
47824 Poggio Torriana (RN)

Tel. +39 0541 688248

Fax +39 0541 688168

topautomazioni@topautomazioni.com

www.topautomazioni.com

